



US00D482787S

(12) **United States Design Patent** (10) **Patent No.:** **US D482,787 S**  
**Reiss** (45) **Date of Patent:** **\*\* Nov. 25, 2003**

(54) **HAND HELD SURGICAL INSTRUMENT**

**FOREIGN PATENT DOCUMENTS**

(75) Inventor: **Paul Reiss**, Santa Clara, CA (US)  
(73) Assignee: **Kyphon Inc.**, Sunnyvale, CA (US)  
(\*\*) Term: **14 Years**

EP 0 535 974 10/1992  
EP 0 591 851 9/1993  
GB 2 243 788 5/1991  
WO WO 99/37212 7/1999  
WO WO 01/28439 4/2001

\* cited by examiner

(21) Appl. No.: **29/166,824**  
(22) Filed: **Sep. 4, 2002**

*Primary Examiner*—Ian Simmons  
(74) *Attorney, Agent, or Firm*—Ryan Kromholz & Manion, S.C.

(51) **LOC (7) Cl.** ..... **24-02**  
(52) **U.S. Cl.** ..... **D24/146; D24/147**  
(58) **Field of Search** ..... D24/146, 147,  
D24/133; 600/567, 566, 564; 606/167,  
170, 185

(57) **CLAIM**

The ornamental design for a hand held surgical instrument, as shown and described.

(56) **References Cited**

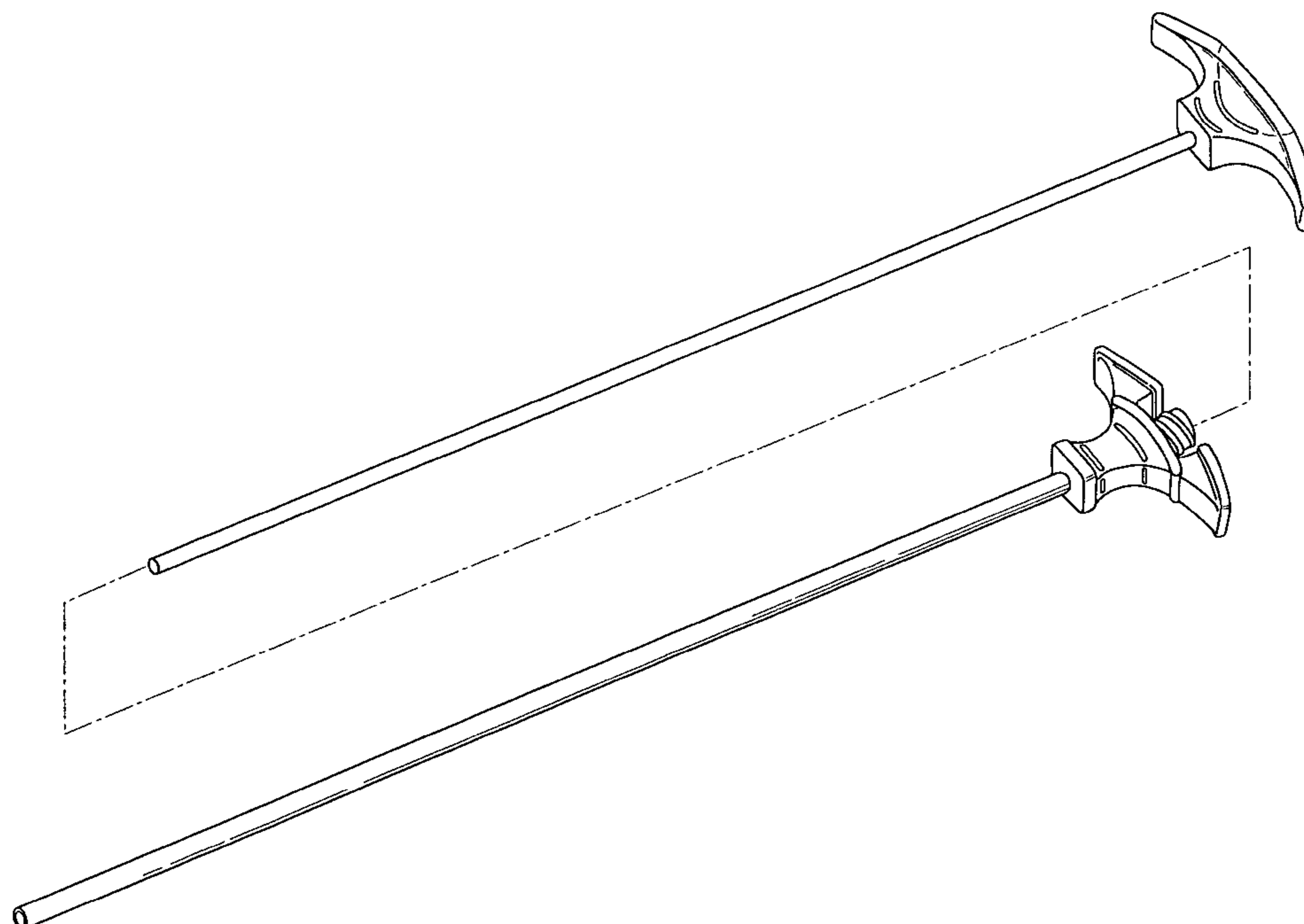
**DESCRIPTION**

**U.S. PATENT DOCUMENTS**

4,630,616 A 12/1986 Tretinyak  
4,793,363 A 12/1988 Ausherman et al.  
4,838,282 A 6/1989 Strasser et al.  
5,257,632 A 11/1993 Turkel et al.  
5,368,046 A 11/1994 Scarfone et al.  
5,385,151 A 1/1995 Scarfone et al.  
D358,645 S 5/1995 Ryan et al.  
5,522,398 A 6/1996 Goldenberg et al.  
5,807,275 A 9/1998 Jamshidi  
6,063,037 A \* 5/2000 Mittermeier et al. .... 600/567  
6,110,128 A \* 8/2000 Andelin et al. .... 600/566  
D439,980 S 4/2001 Reiley et al.  
6,221,029 B1 4/2001 Mathis et al.  
D449,691 S 10/2001 Reiley et al.  
6,312,394 B1 \* 11/2001 Fleming, III ..... 600/567  
6,416,484 B1 \* 7/2002 Miller et al. .... 600/564  
D469,871 S \* 2/2003 Sand ..... D24/146

FIG. 1 is a perspective view of a hand held surgical instrument showing my new design.  
FIG. 2 is a top plan view thereof, the bottom plan view being a mirror image thereto.  
FIG. 3 is a right side elevational view thereof, the left side elevational view being a mirror image thereto.  
FIG. 4 is an end elevational view thereof.  
FIG. 5 is an end elevational view thereof, opposite that shown in FIG. 4.  
FIG. 6 is an exploded perspective view thereof.  
FIG. 7 is a top plan view thereof, the bottom plan view being a mirror image thereto.  
FIG. 8 is a right side elevational view thereof, the left side elevational view being a mirror image thereto.  
FIG. 9 is an end elevational view thereof; and,  
FIG. 10 is an end elevational view thereof, opposite that shown in FIG. 9.

**1 Claim, 7 Drawing Sheets**



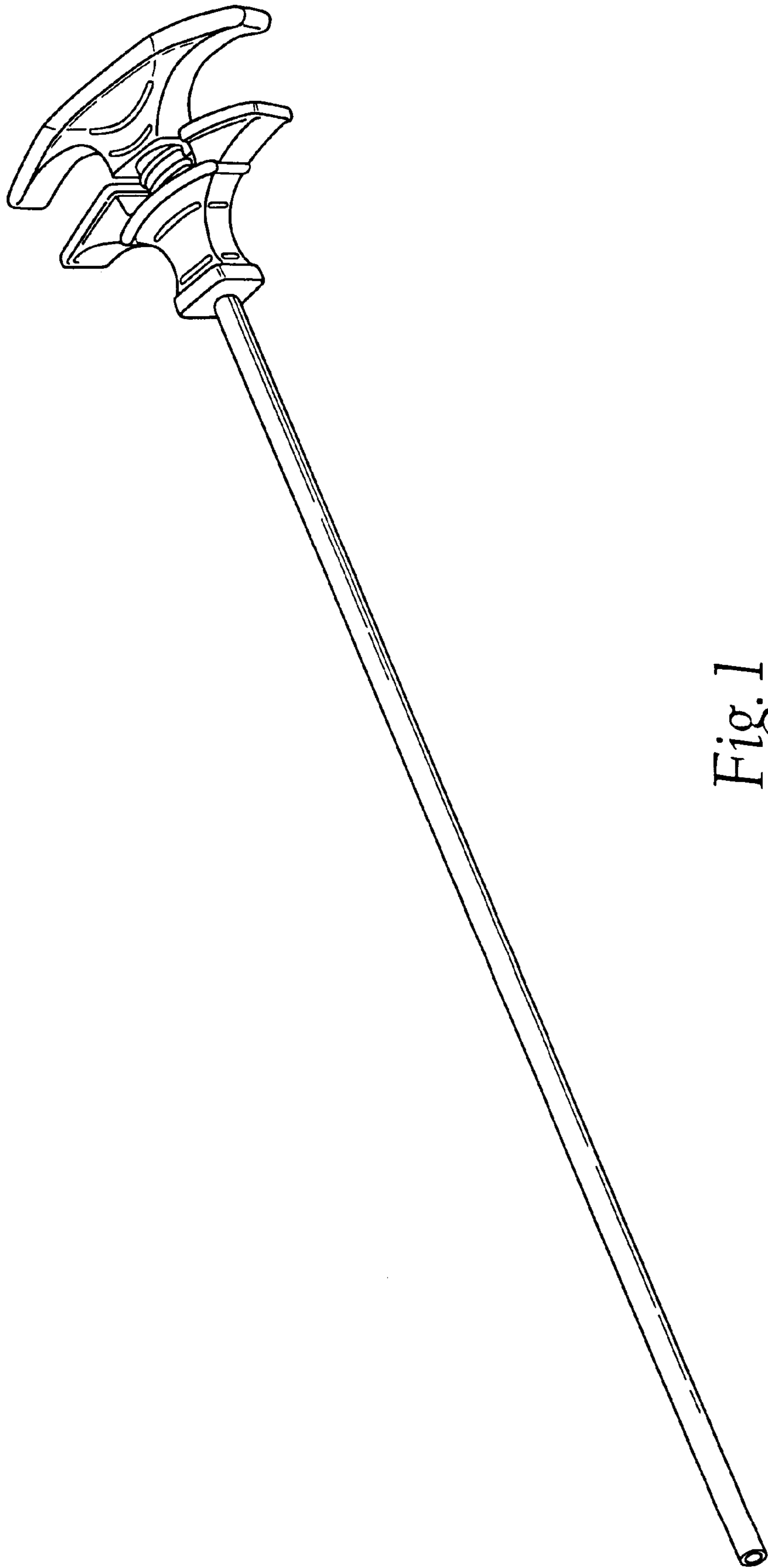


Fig. 1

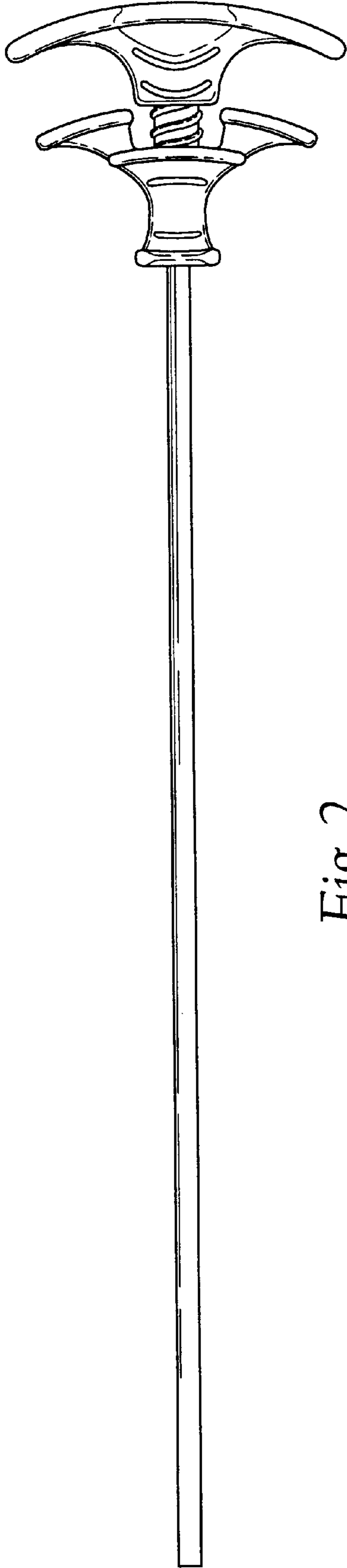


Fig. 2

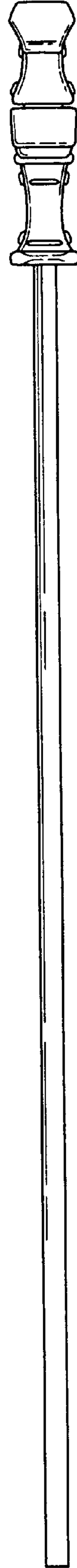


Fig. 3



*Fig. 4*



*Fig. 5*

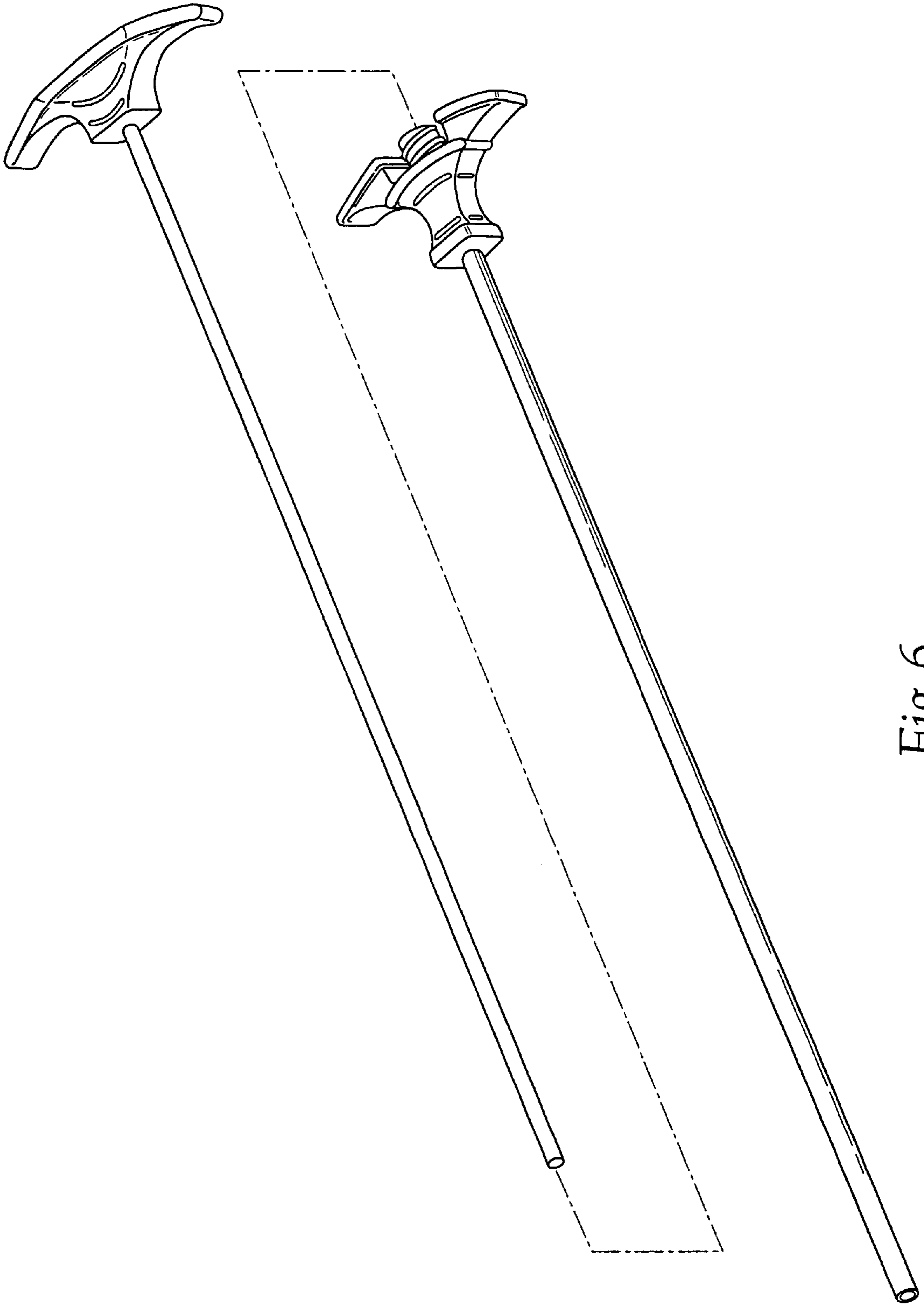


Fig. 6

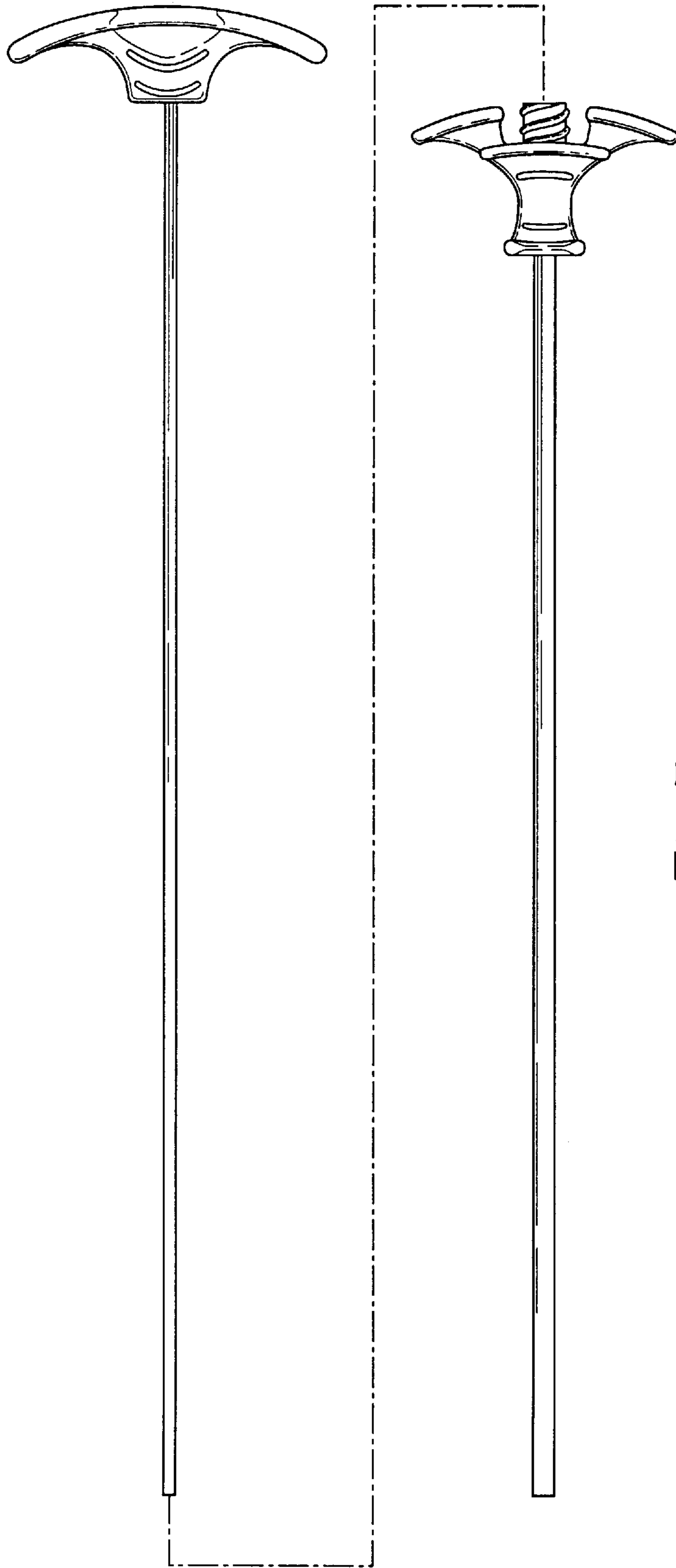


Fig. 7

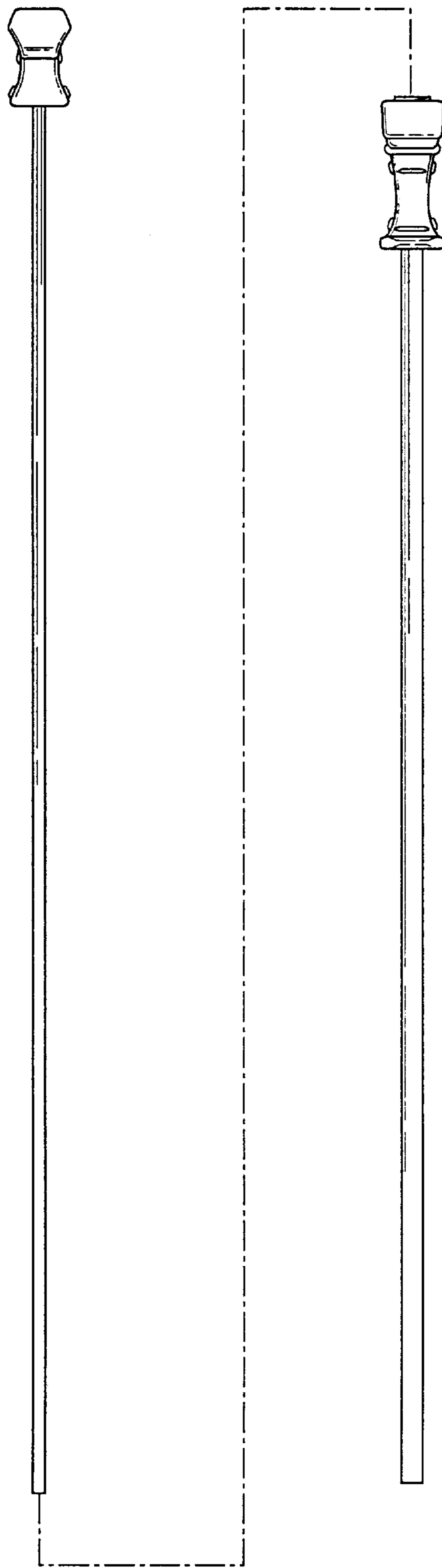
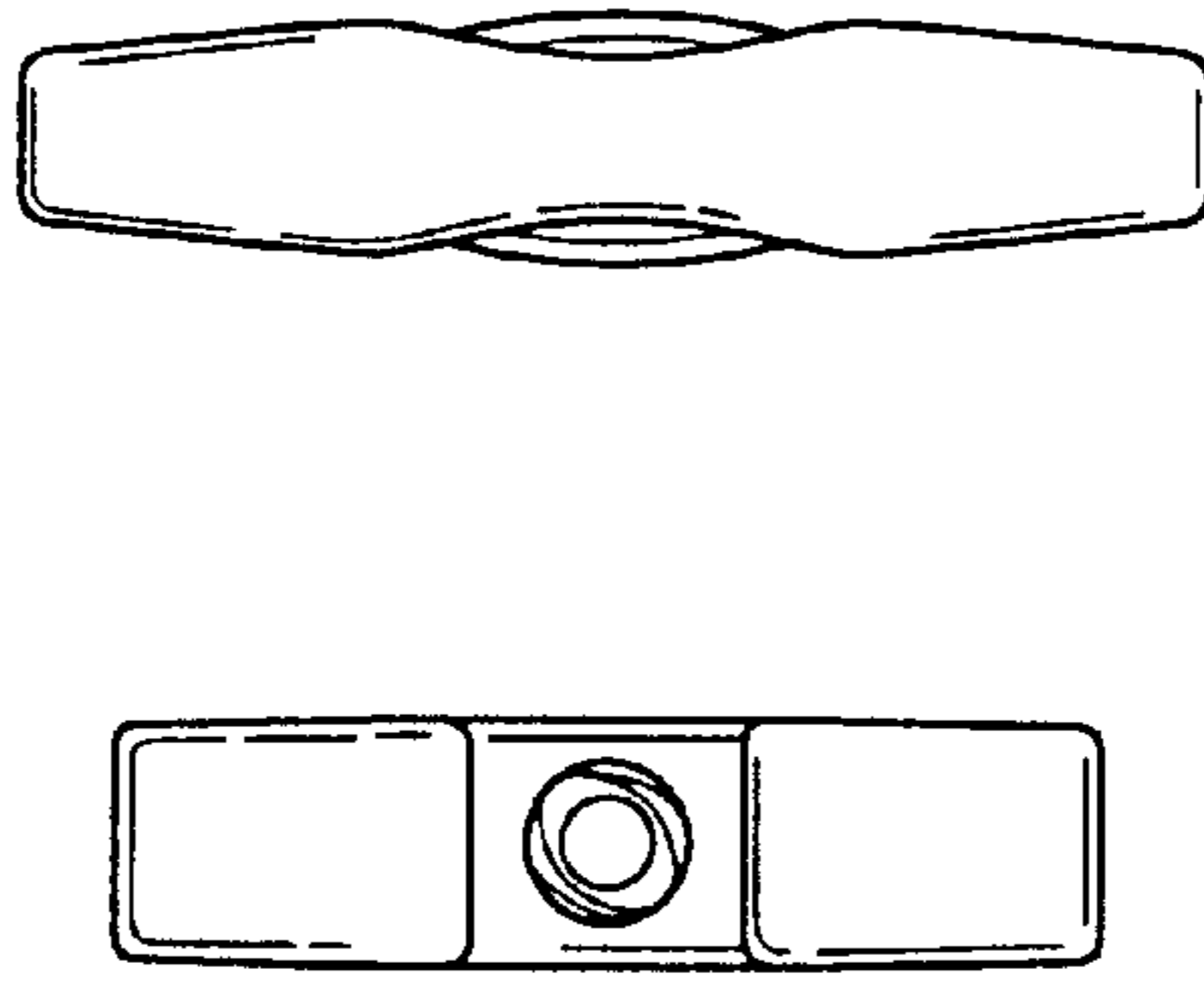
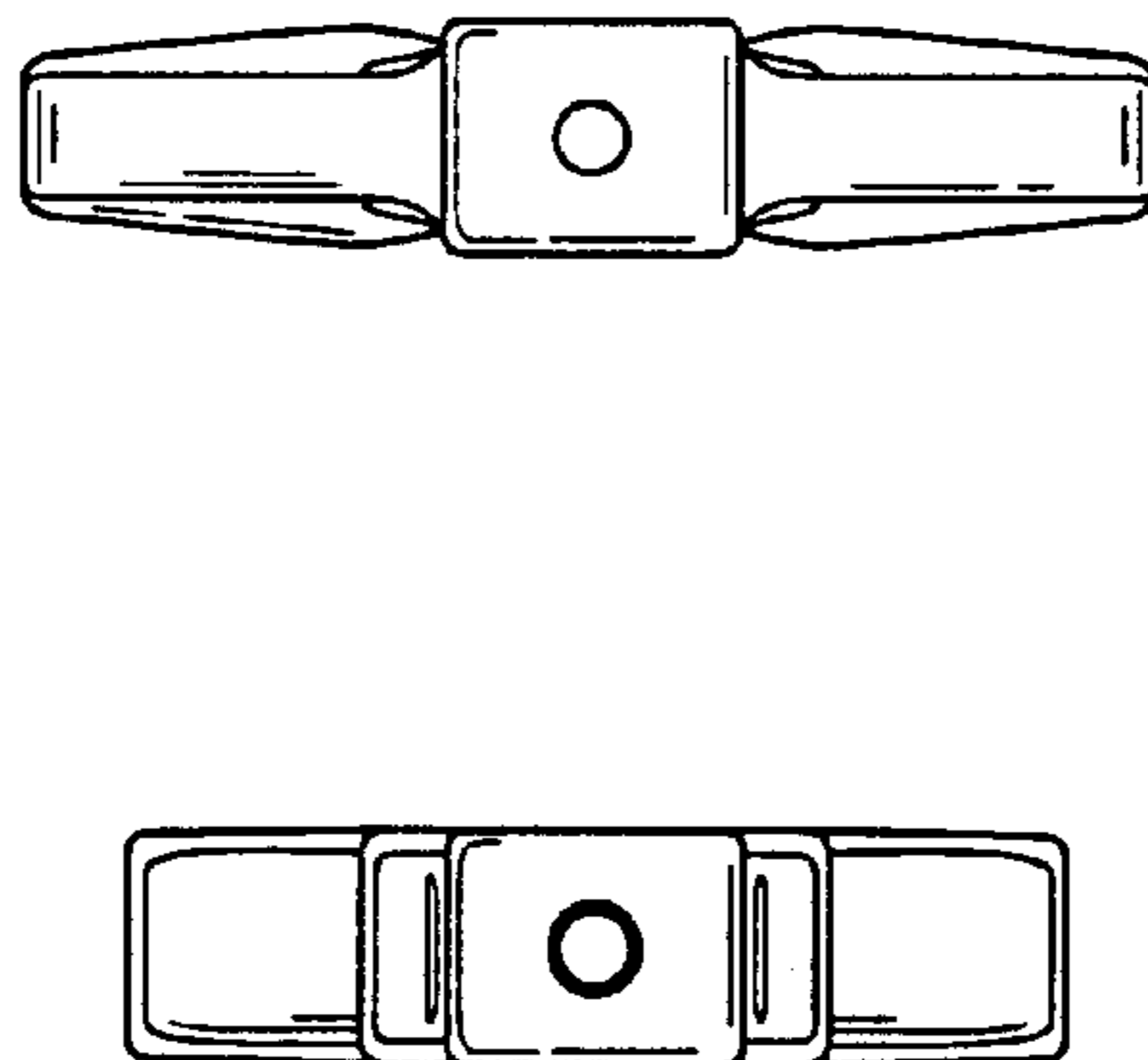


Fig. 8



*Fig. 9*



*Fig. 10*