



US00D482773S

(12) **United States Design Patent**
Young

(10) **Patent No.:** **US D482,773 S**

(45) **Date of Patent:** **** Nov. 25, 2003**

(54) **CEILING FAN BLADE IRON**

(75) Inventor: **Stanfield Young**, Cypress, CA (US)

(73) Assignee: **Minka Lighting, Inc.**, Corona, CA (US)

(**) Term: **14 Years**

(21) Appl. No.: **29/163,950**

(22) Filed: **Jul. 15, 2002**

(51) **LOC (7) Cl.** **23-04**

(52) **U.S. Cl.** **D23/411**

(58) **Field of Search** D23/411, 377,
D23/379, 385; 416/5; 392/364

(56) **References Cited**

U.S. PATENT DOCUMENTS

D408,904 S	*	4/1999	Liu	D23/377
D417,494 S	*	12/1999	Evans	D23/377
D424,187 S	*	5/2000	Lo	D23/377
D464,132 S	*	10/2002	Campbell	D23/411

OTHER PUBLICATIONS

U.S. patent application Ser. No. 29/163,993, Jul. 15, 2002, Stanfield Young.

U.S. patent application Ser. No. 29/163,994, Jul. 15, 2002, Stanfield Young.

U.S. patent application Ser. No. 29/163,995, Jul. 15, 2002, Stanfield Young.

Minka Lighting, Inc.; MinkaAire Two Thousand Two; Apr. 22, 2002; pp. 2, 3; Minka Lighting, Inc.; U.S.A.

* cited by examiner

Primary Examiner—Lisa Lichtenstein

(74) *Attorney, Agent, or Firm*—Jenkins & Gilchrist, P.C.

(57) **CLAIM**

The ornamental design for the ceiling fan blade iron, as shown and described.

DESCRIPTION

FIG. 1 is a perspective view from below of the ceiling fan blade iron in accordance with my design, illustrating the environment of the invention;

FIG. 2 is a bottom plan view of the ceiling fan blade iron in accordance with my design, illustrating the environment of the invention;

FIG. 3 is a side elevation view of the ceiling fan blade iron in accordance with my design, illustrating the environment of the invention;

FIG. 4 is a front elevation view of the ceiling fan blade iron in accordance with my design, illustrating the environment of the invention;

FIG. 5 is an enlarged perspective view from above of the ceiling fan blade iron in accordance with my design, wherein the blade iron has been upturned for illustrative purposes;

FIG. 6 is an enlarged bottom plan view of the ceiling fan blade iron in accordance with my design;

FIG. 7 is an enlarged top plan view of the ceiling fan blade iron in accordance with my design;

FIG. 8 is an enlarged right side view of the ceiling fan blade iron in accordance with my design;

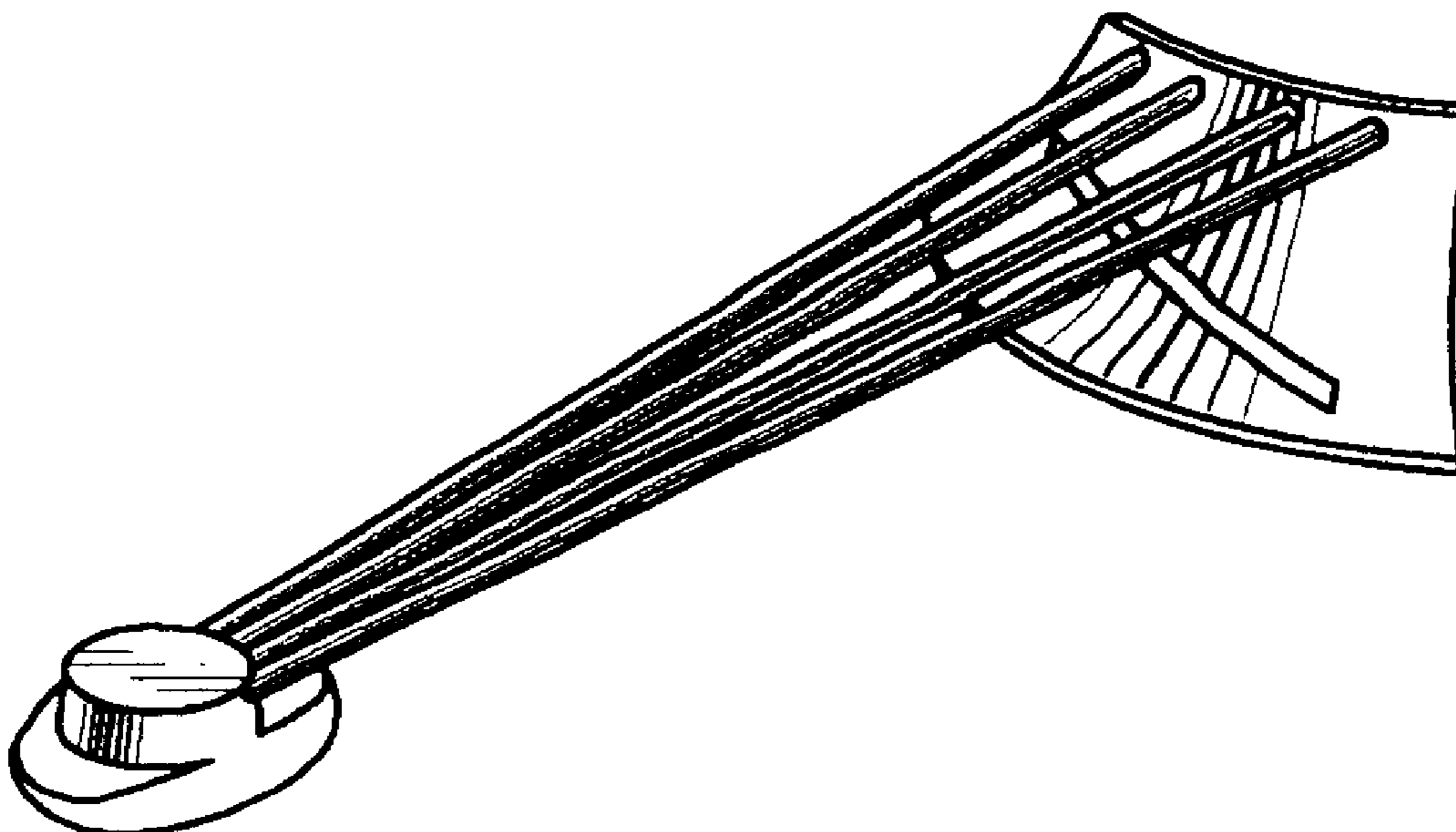
FIG. 9 is an enlarged left side view of the ceiling fan blade iron in accordance with my design;

FIG. 10 is an enlarged front end view of the ceiling fan blade iron in accordance with my design; and,

FIG. 11 is a rear end view of the ceiling fan blade iron in accordance with my design.

The broken line showing of environmental structure in FIGS. 1-4, 6-9 and 11 is for illustrative purposes only and forms no part of the claimed design.

1 Claim, 3 Drawing Sheets



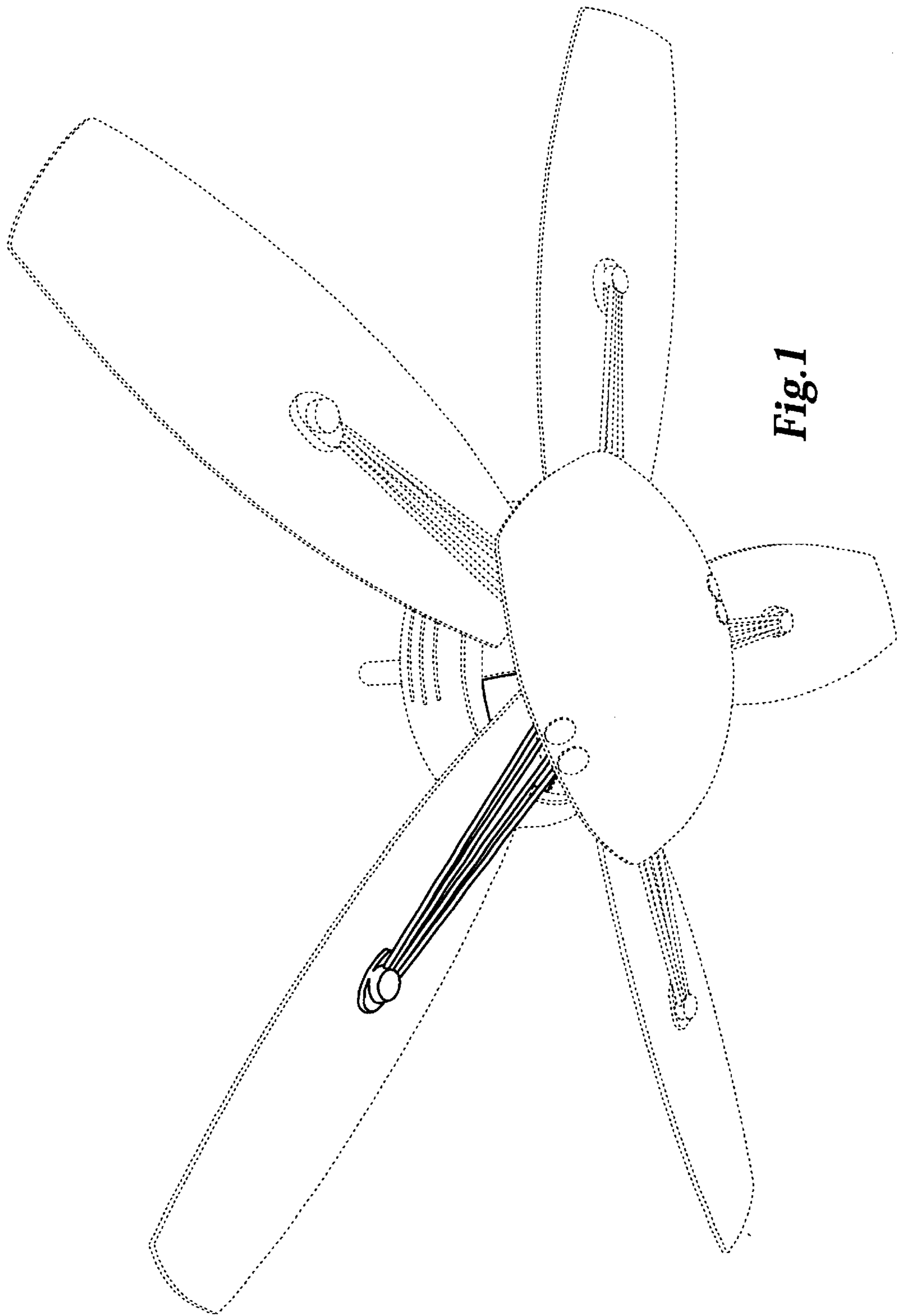


Fig. 1

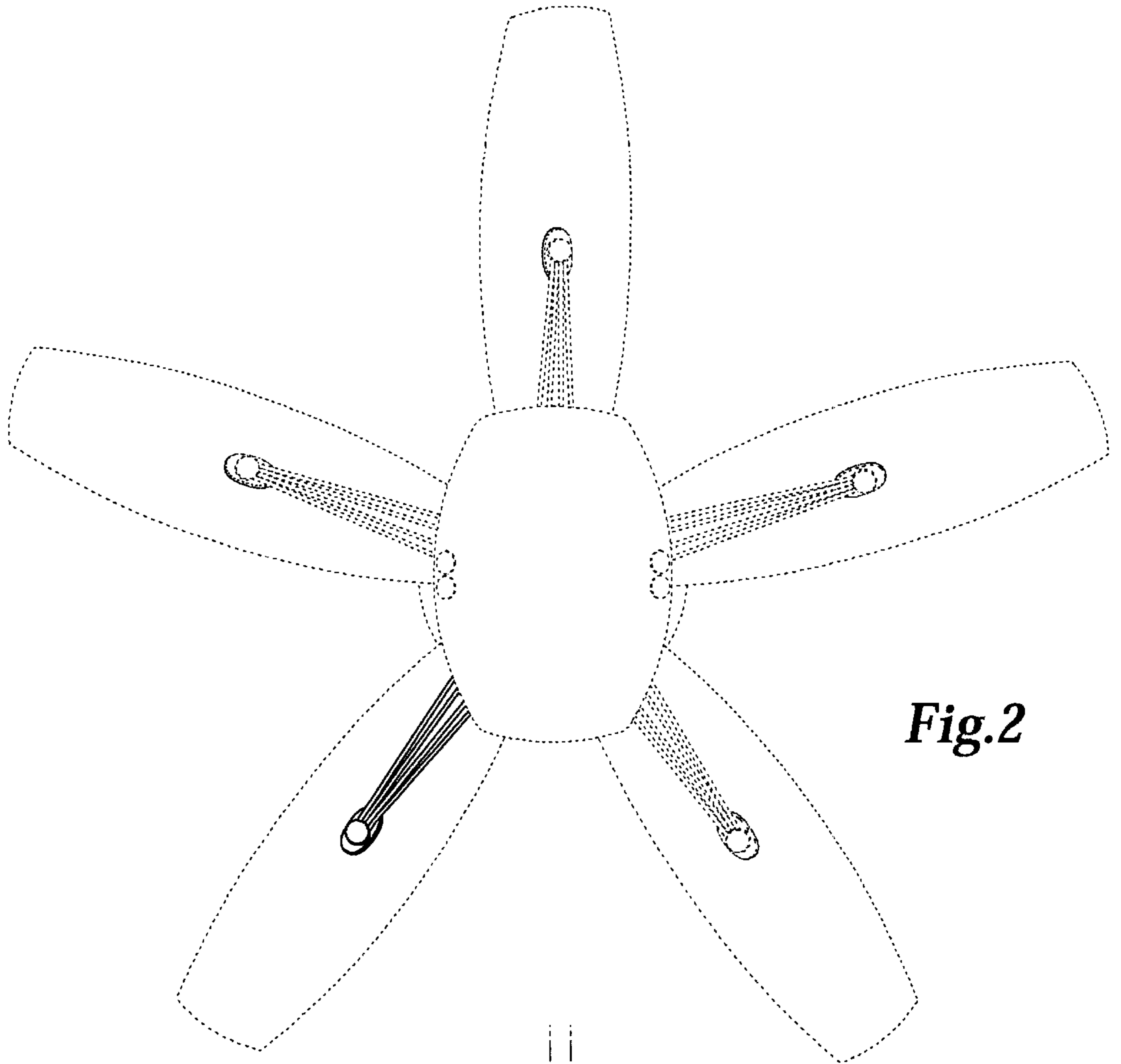


Fig.2

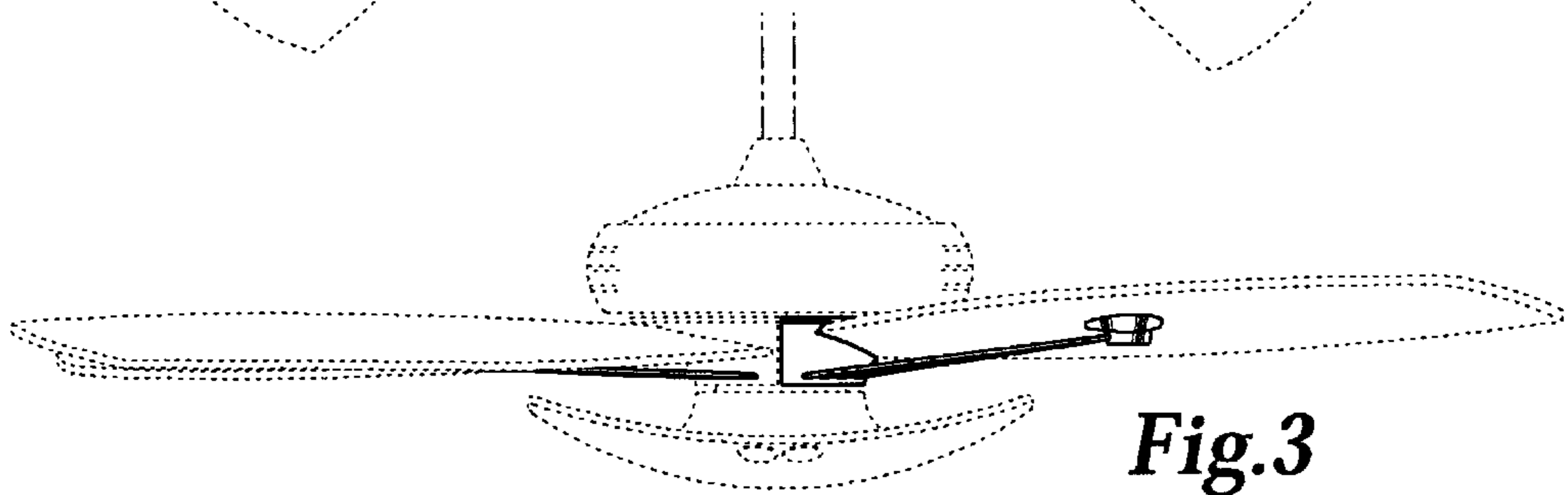


Fig.3

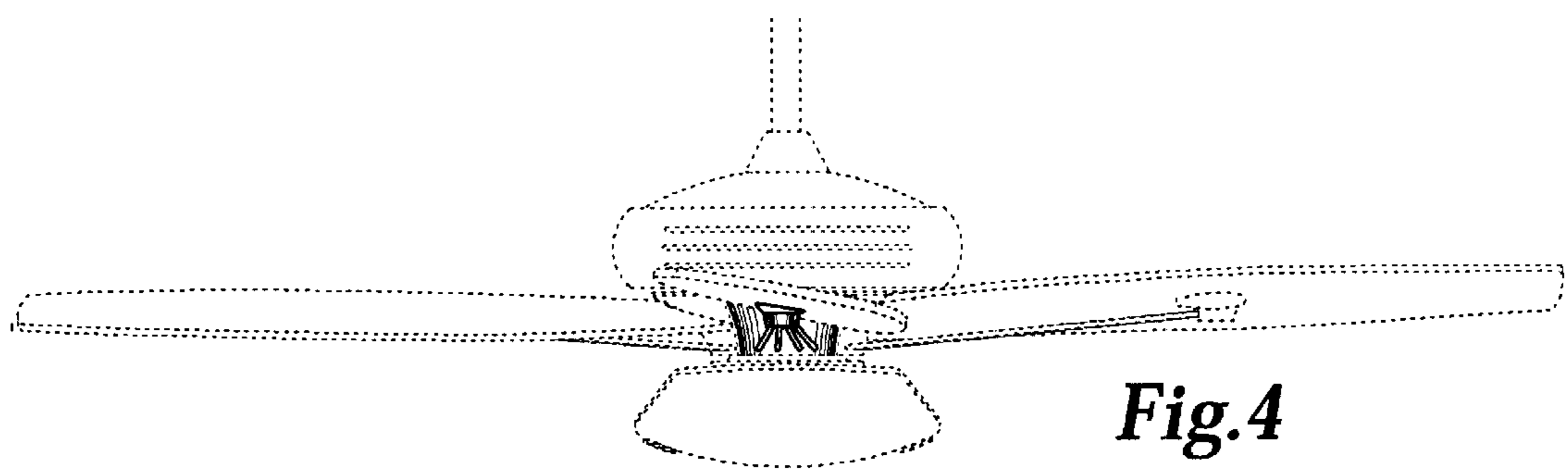


Fig.4

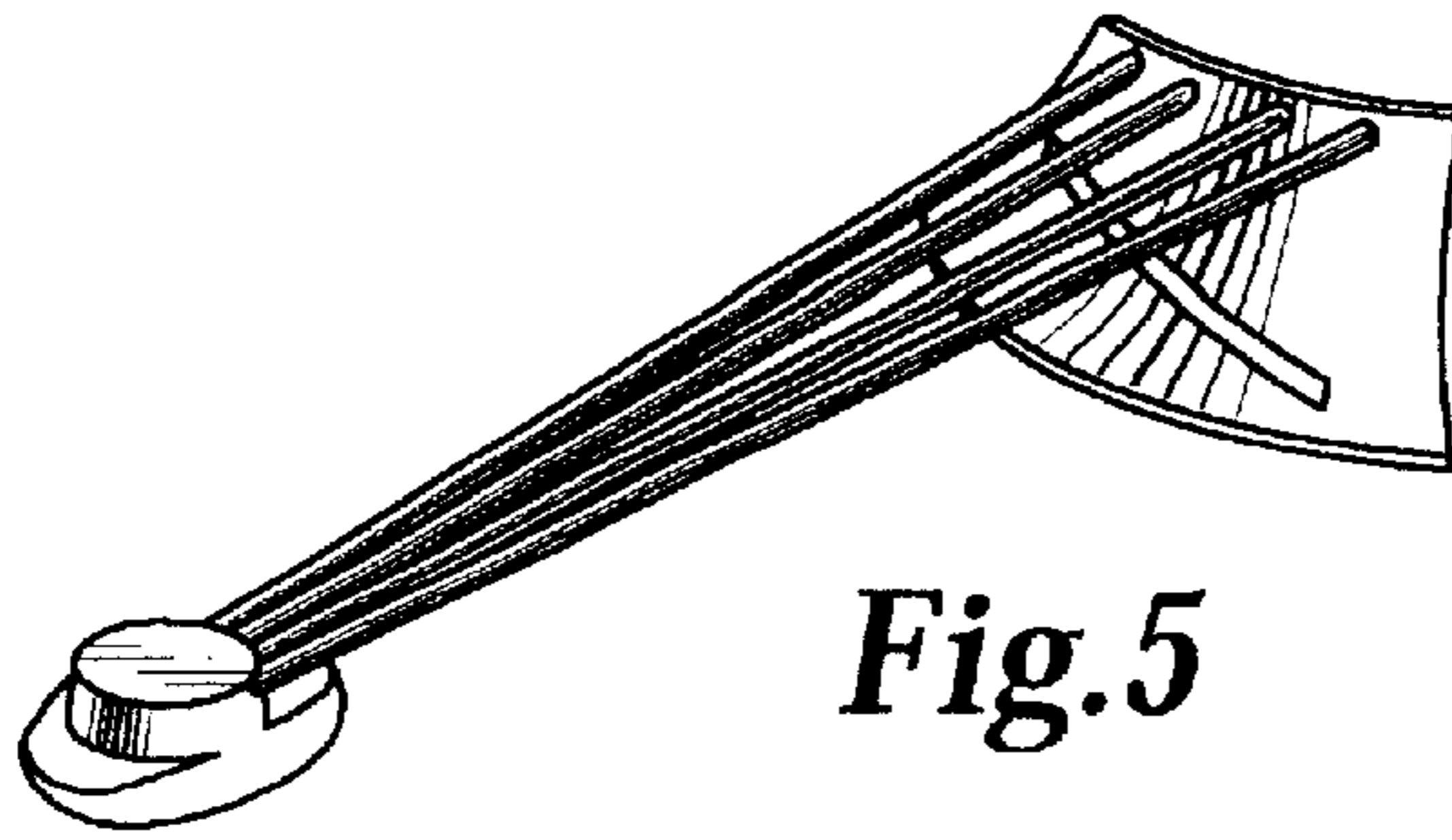


Fig.5

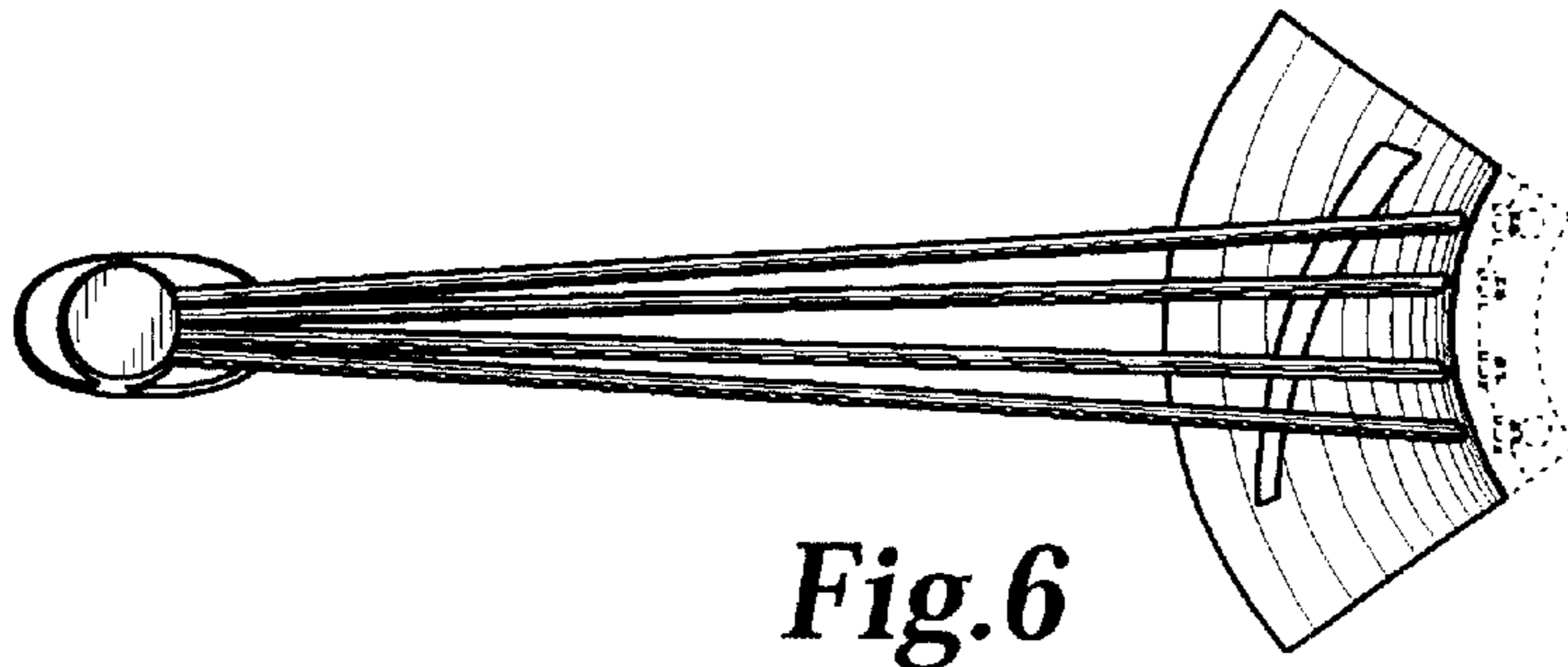


Fig.6

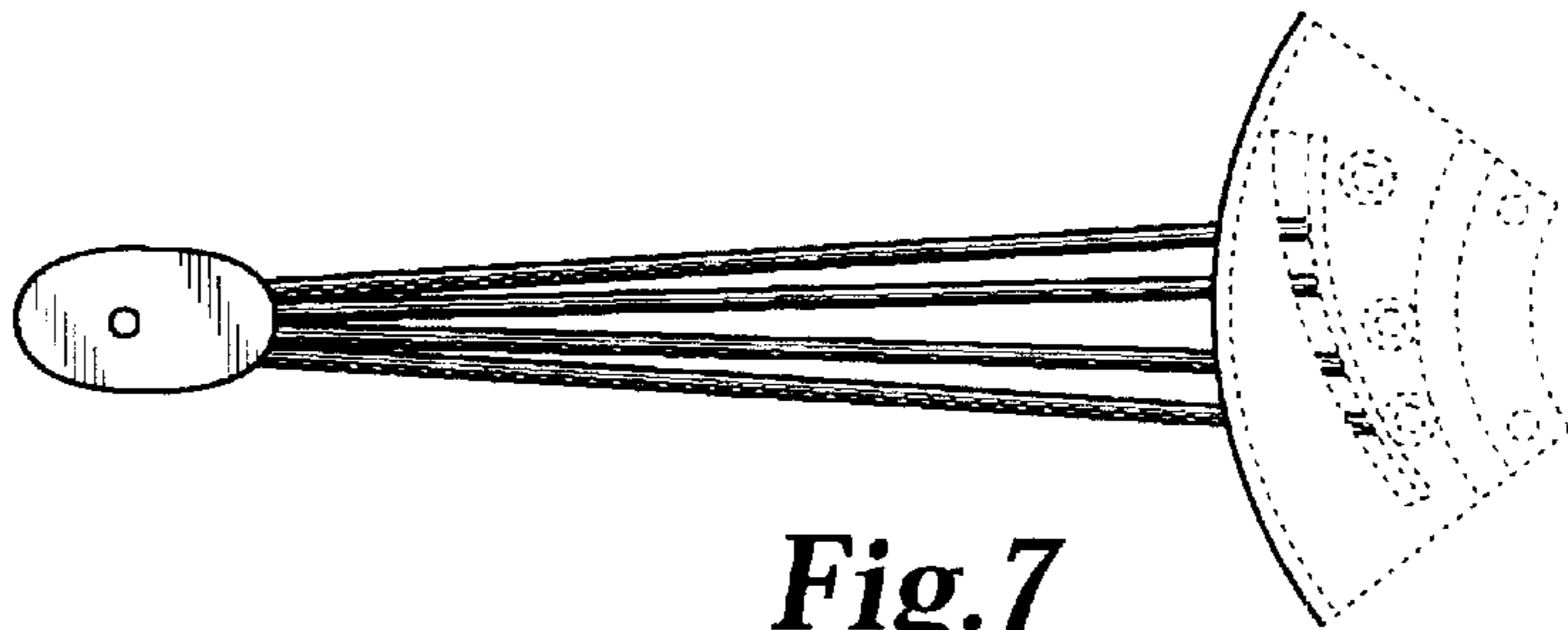


Fig.7



Fig.8

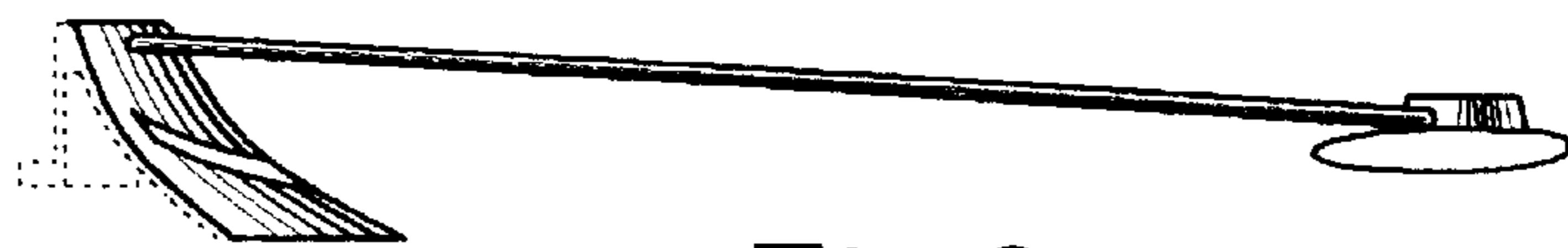


Fig.9

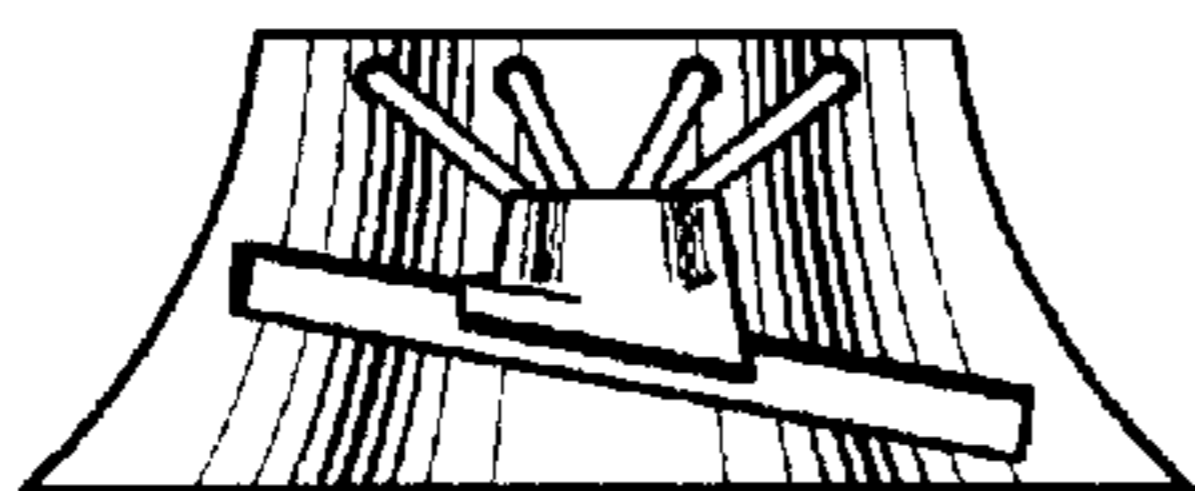


Fig.10

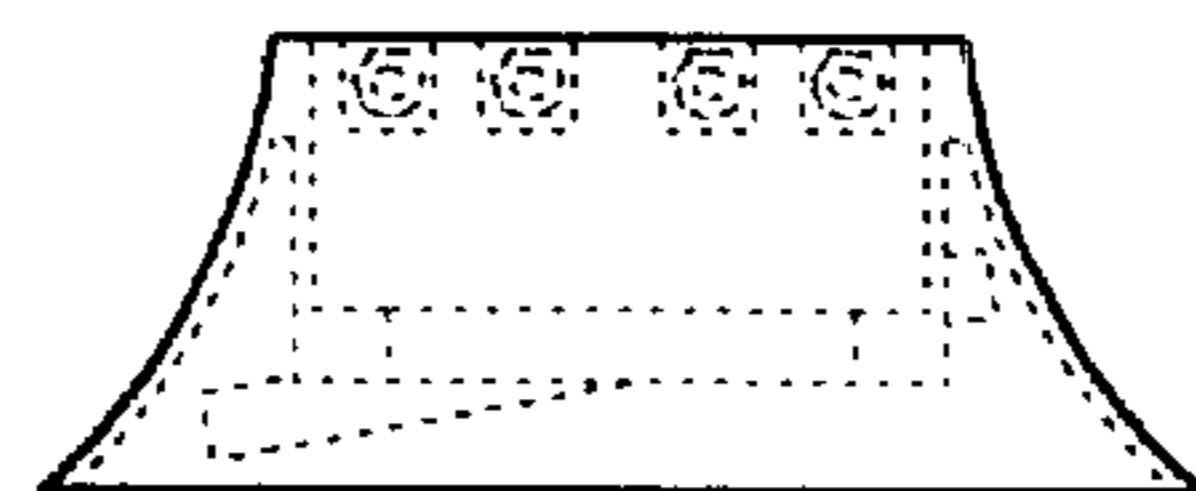


Fig.11