



US00D482772S

(12) **United States Design Patent**
Dooley

(10) **Patent No.:** **US D482,772 S**

(45) **Date of Patent:** **** Nov. 25, 2003**

(54) **PORTABLE AIR CIRCULATOR**

(75) Inventor: **Thomas J. Dooley**, Springfield, PA
(US)

(73) Assignee: **Lasko Holdings, Inc.**, Wilmington, DE
(US)

(**) Term: **14 Years**

(21) Appl. No.: **29/165,945**

(22) Filed: **Aug. 20, 2002**

(51) **LOC (7) Cl.** **23-04**

(52) **U.S. Cl.** **D23/383**

(58) **Field of Search** D23/383, 370;
417/234, 423.14, 423.8

(56) **References Cited**

U.S. PATENT DOCUMENTS

4,424,006 A	1/1984	Armbruster
4,483,664 A	11/1984	Armbruster
4,954,049 A	9/1990	Armbruster

Primary Examiner—Lisa Lichtenstein
(74) *Attorney, Agent, or Firm*—RatnerPrestia

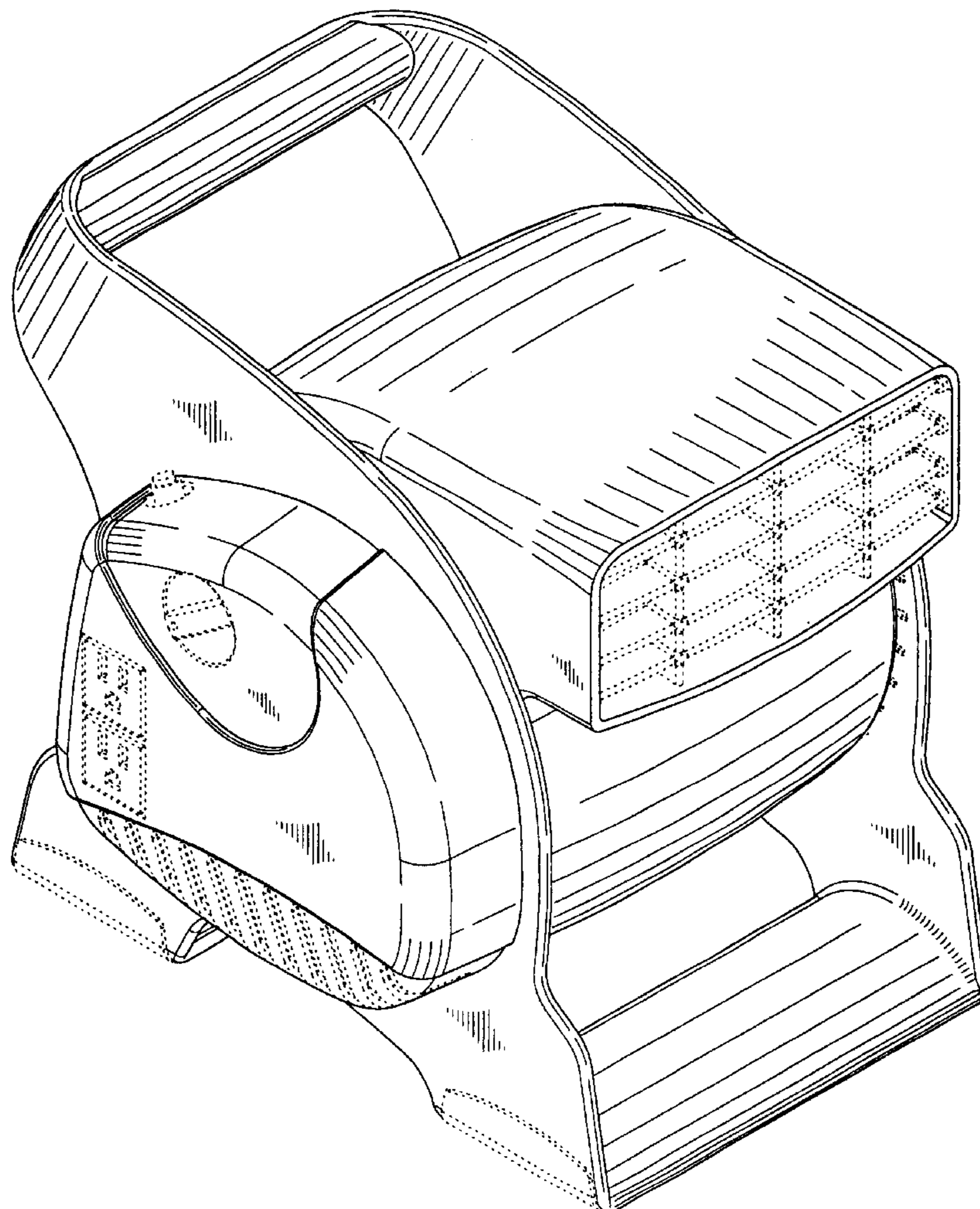
(57) **CLAIM**

The ornamental design for a portable air circulator, as shown and described.

DESCRIPTION

FIG. 1 is a left side front perspective view of a portable air circulator showing my new design;
FIG. 2 is a right side front perspective view thereof;
FIG. 3 is a front elevation view thereof;
FIG. 4 is a rear elevation view thereof;
FIG. 5 is a top plan view thereof;
FIG. 6 is a bottom plan view thereof;
FIG. 7 is a left side elevation view thereof; and,
FIG. 8 is a right side elevation view thereof.
The broken line showing of environmental structure in FIGS. 1–8 is for illustrative purposes only and forms no part of the claimed design.

1 Claim, 8 Drawing Sheets



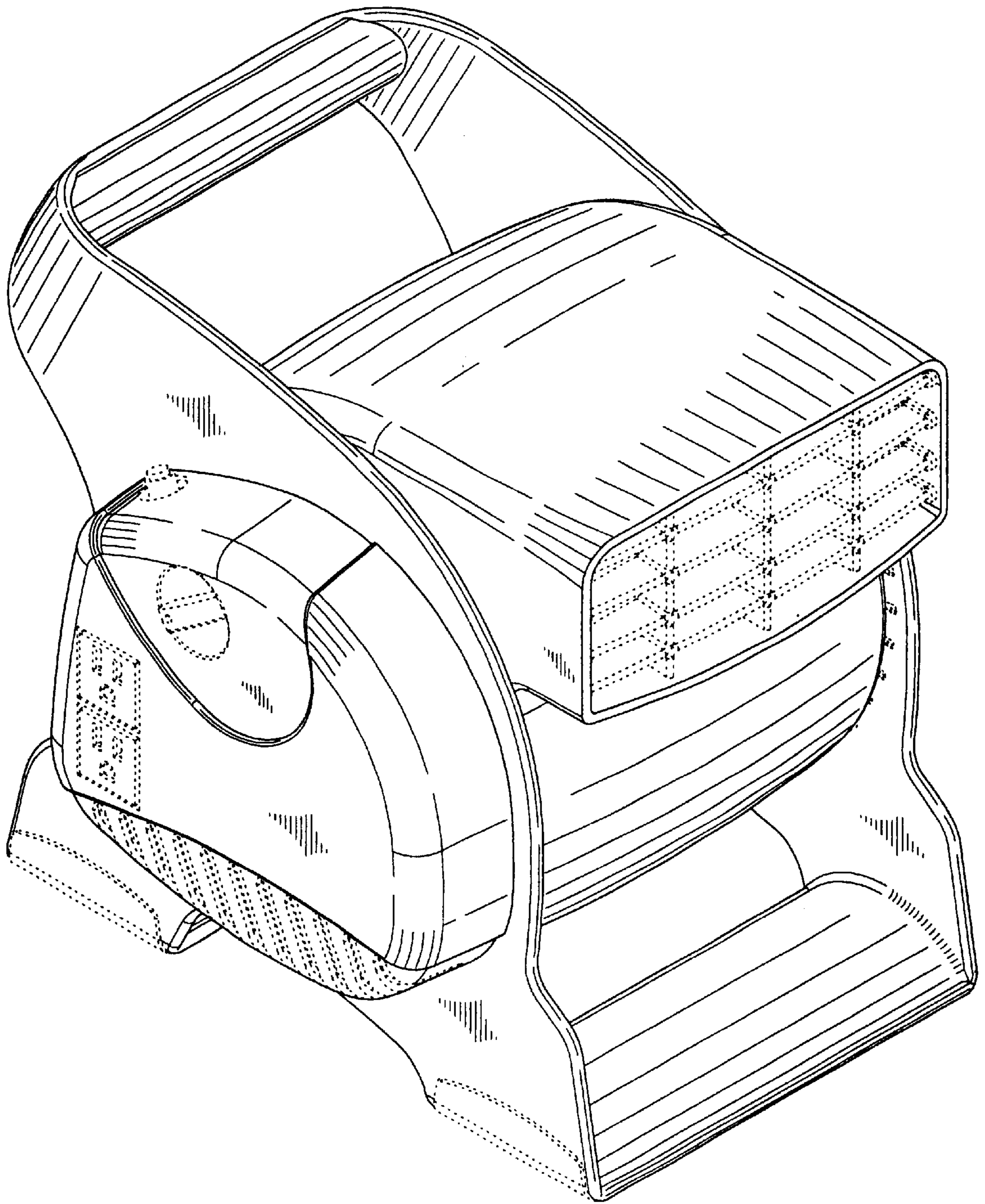


FIG. 1

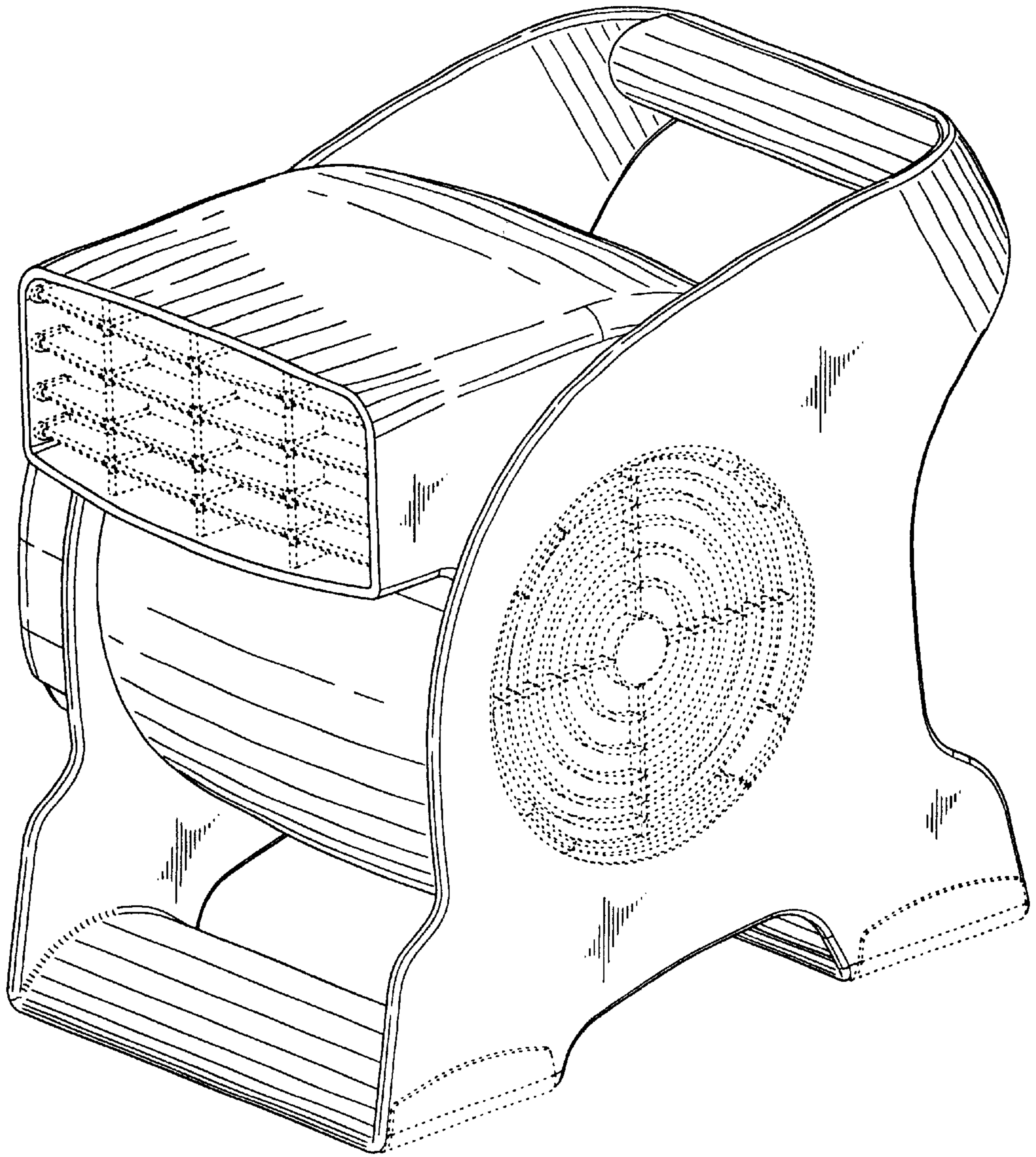


FIG. 2

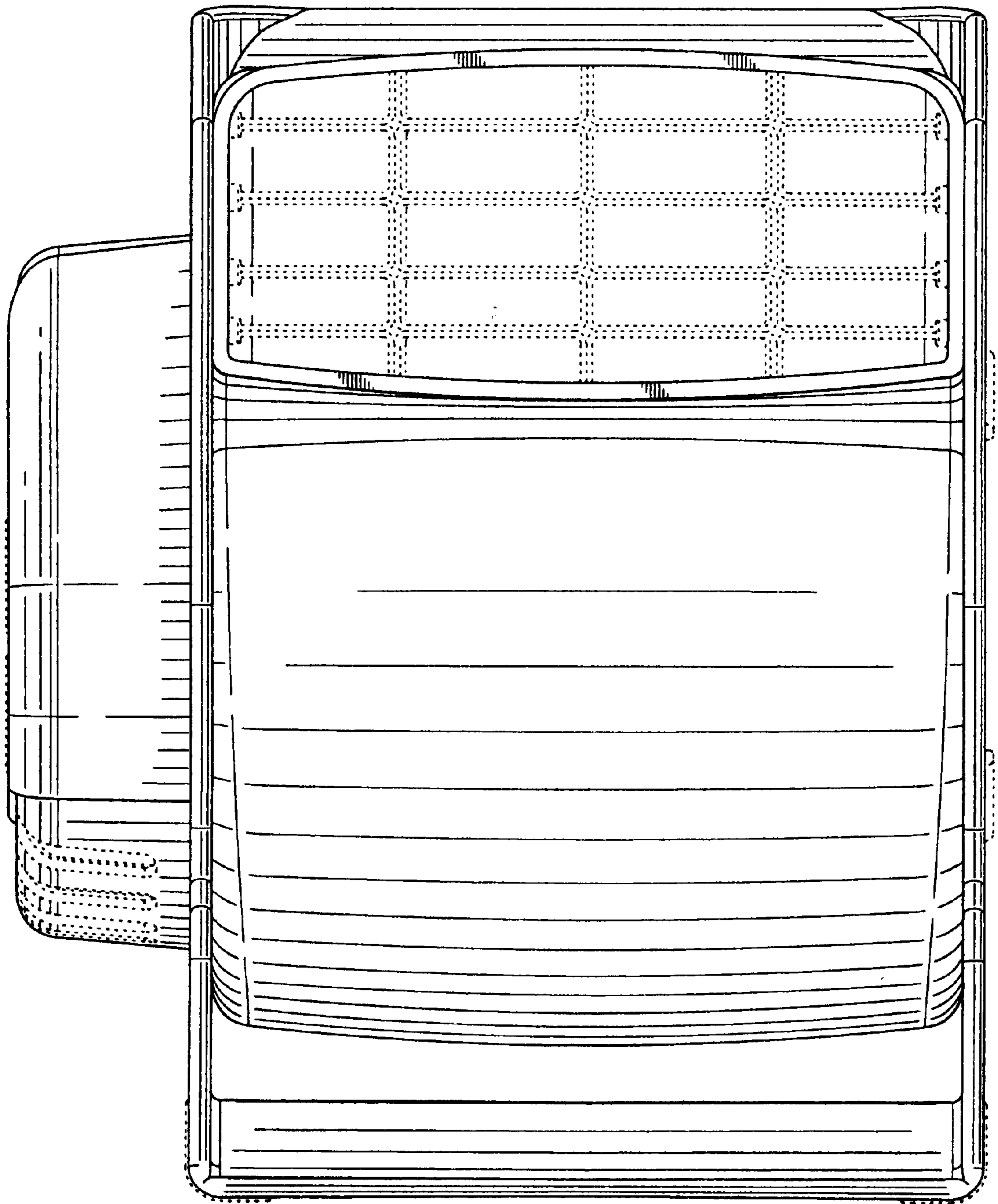


FIG. 3

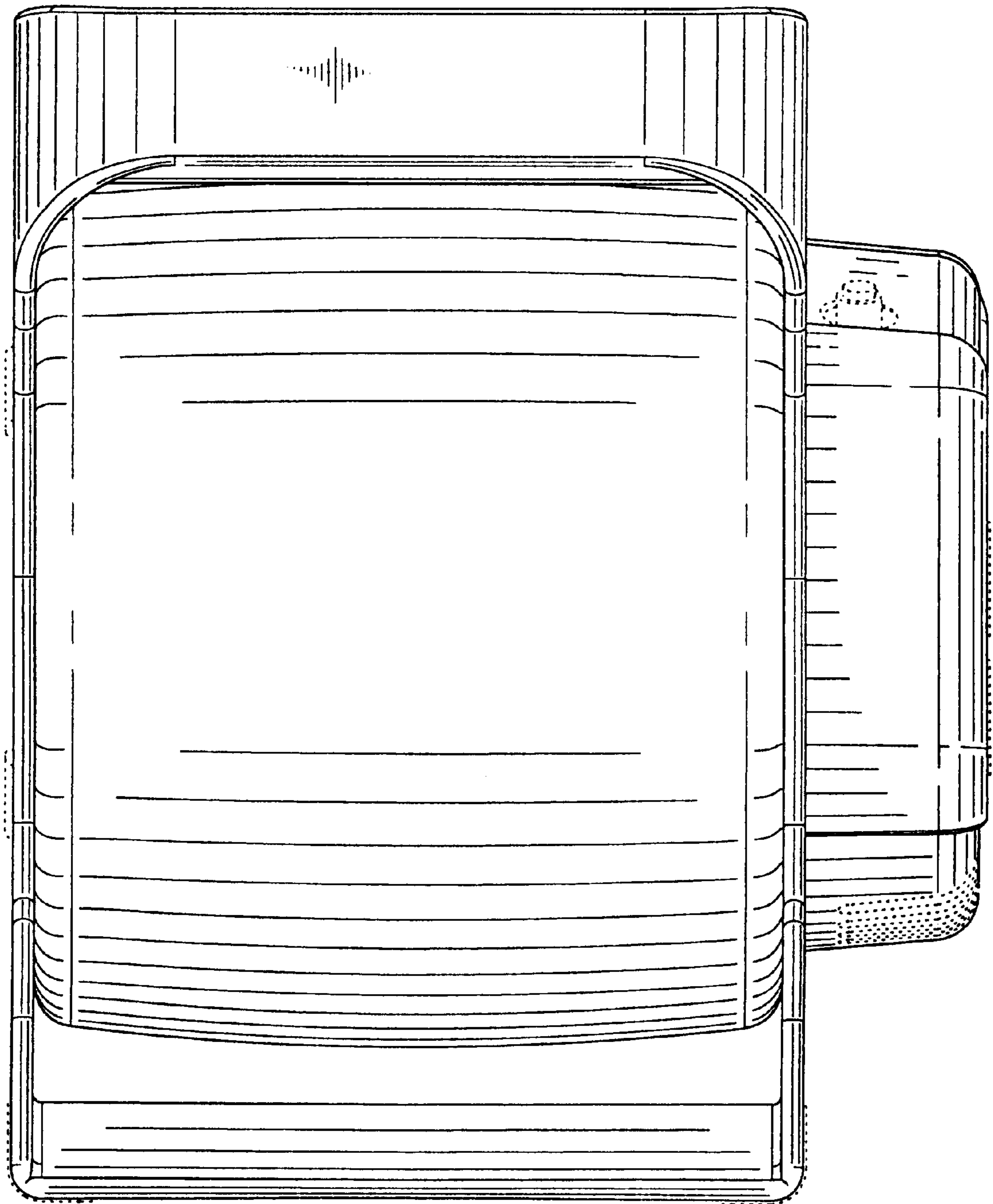


FIG. 4

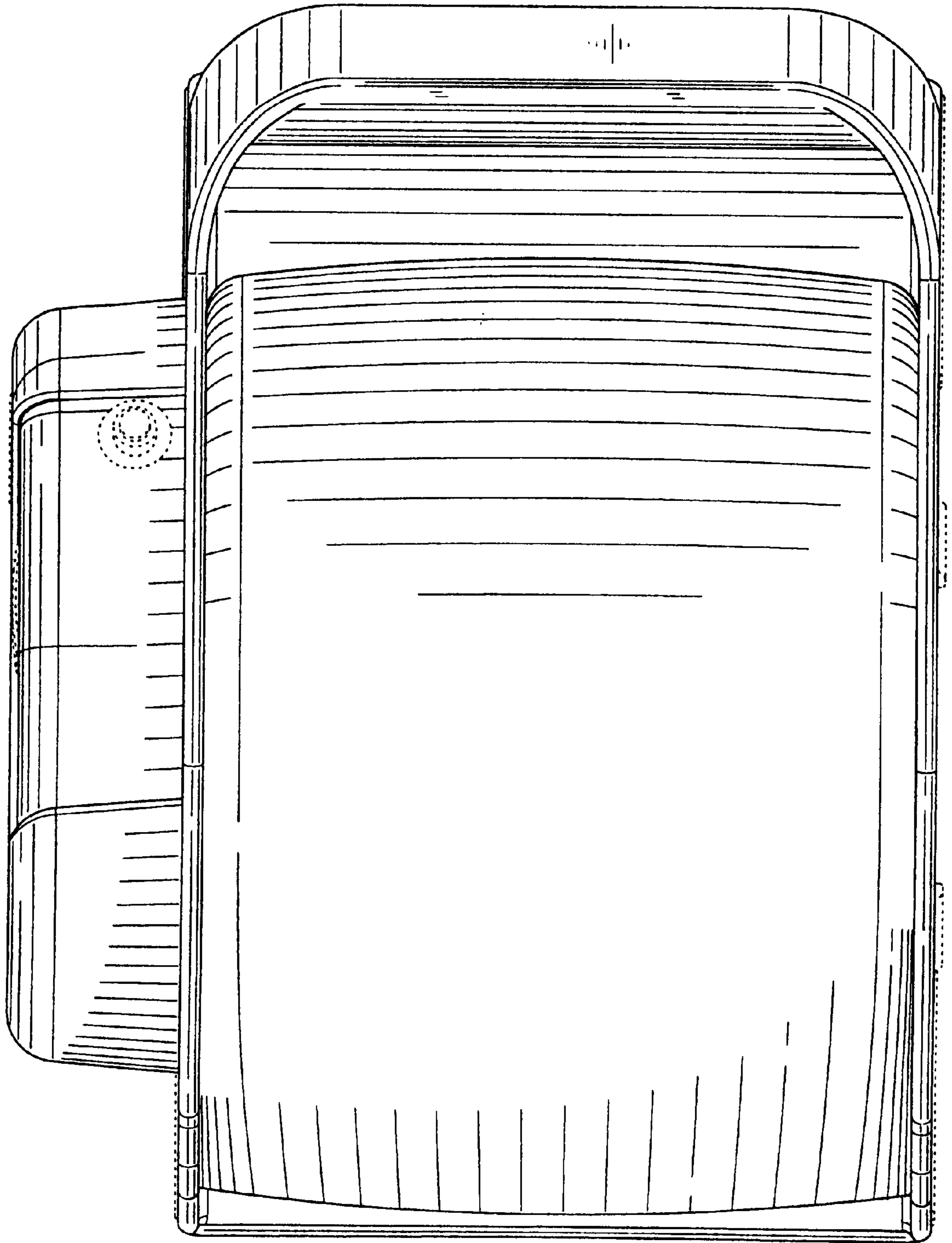


FIG. 5

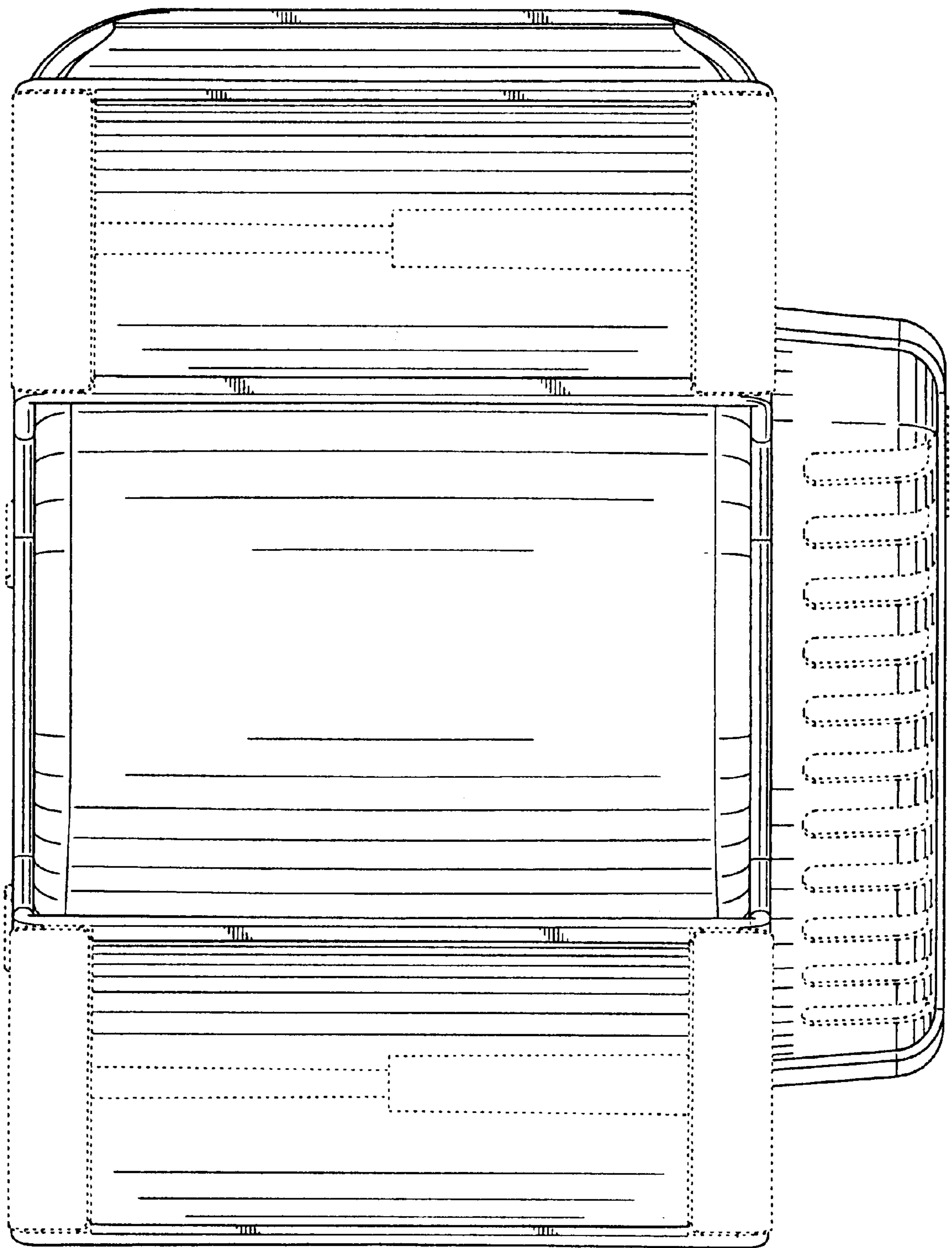


FIG. 6

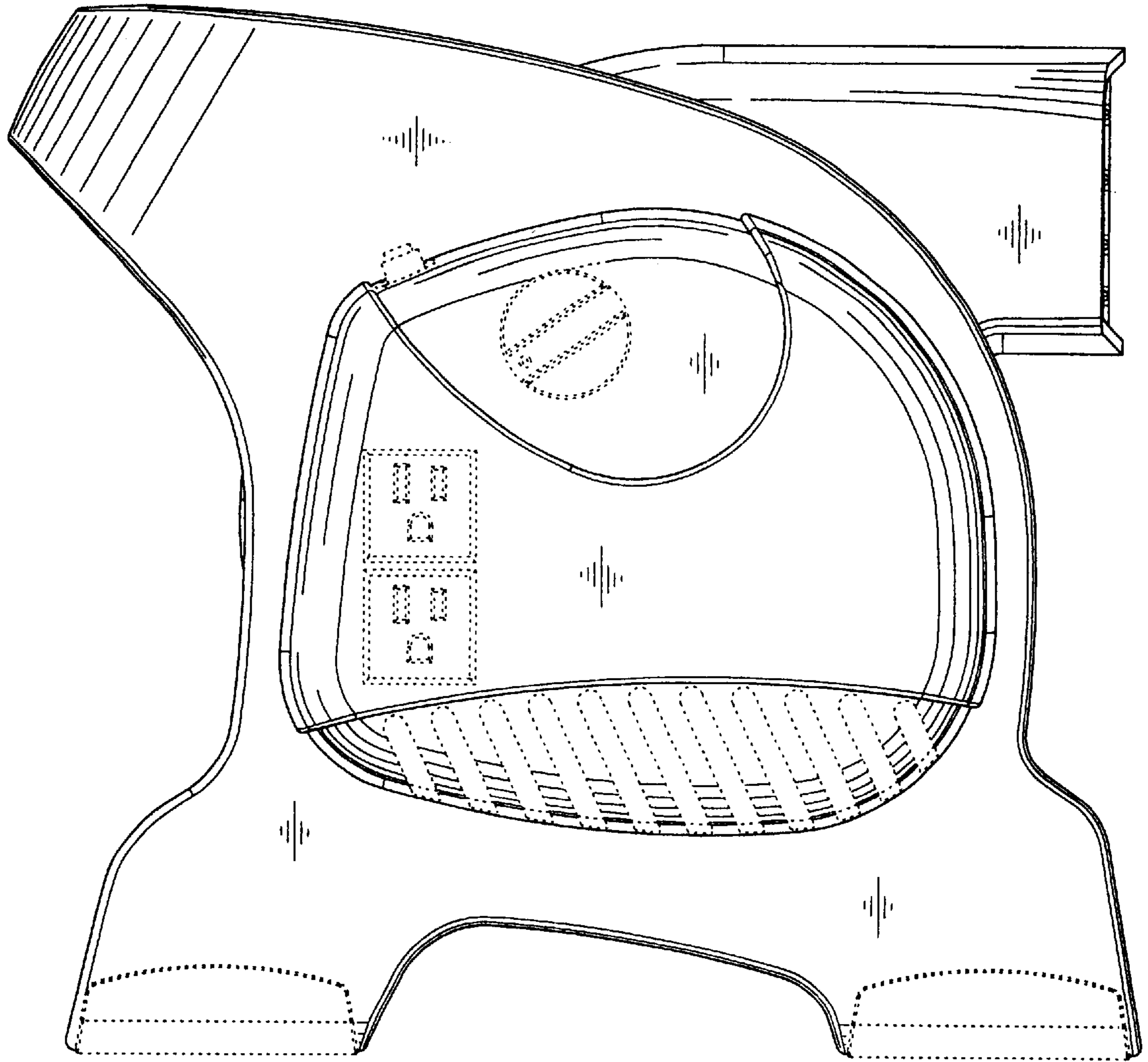


FIG. 7

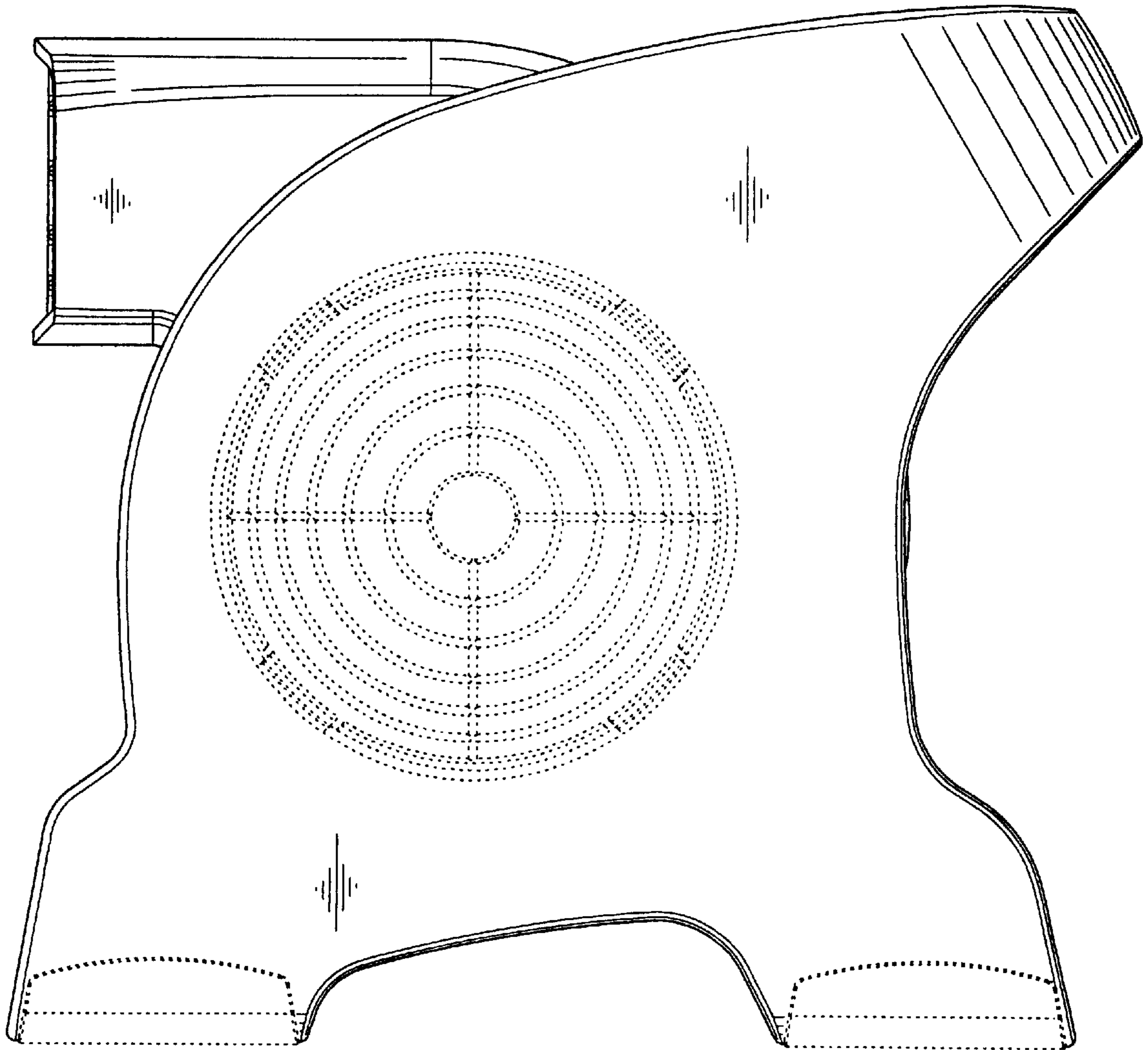


FIG. 8