



US00D482770S

(12) **United States Design Patent**
Bucher et al.

(10) **Patent No.:** **US D482,770 S**

(45) **Date of Patent:** **** Nov. 25, 2003**

(54) **ADJUSTABLE PEDESTAL FAN**

D414,256 S * 9/1999 Thomas, Jr. D23/382

D416,081 S * 11/1999 Lee D23/378

D438,947 S * 3/2001 Wang D23/378

(75) Inventors: **John C. Bucher**, Ft. Lauderdale, FL
(US); **Charles E. Bucher**, Valrico, FL
(US)

* cited by examiner

(73) Assignee: **King of Fans, Inc.**, Ft. Lauderdale, FL
(US)

Primary Examiner—Lisa Lichtenstein

(74) *Attorney, Agent, or Firm*—Holland & Knight LLP

(**) Term: **14 Years**

(57) **CLAIM**

The ornamental designs for an adjustable pedestal fan, as shown and described.

(21) Appl. No.: **29/173,070**

(22) Filed: **Dec. 20, 2002**

DESCRIPTION

(51) **LOC (7) Cl.** **23-04**

(52) **U.S. Cl.** **D23/378**

(58) **Field of Search** D23/378, 411,
D23/413, 382, 381, 412, 370; 416/244 R,
247 R, 246

FIG. 1 is a front elevation view of our new design for an adjustable pedestal fan;

FIG. 2 is a back elevation view thereof;

FIG. 3 is a left side elevation view thereof;

FIG. 4 is a right side elevation view thereof;

FIG. 5 is a top plan view thereof; and,

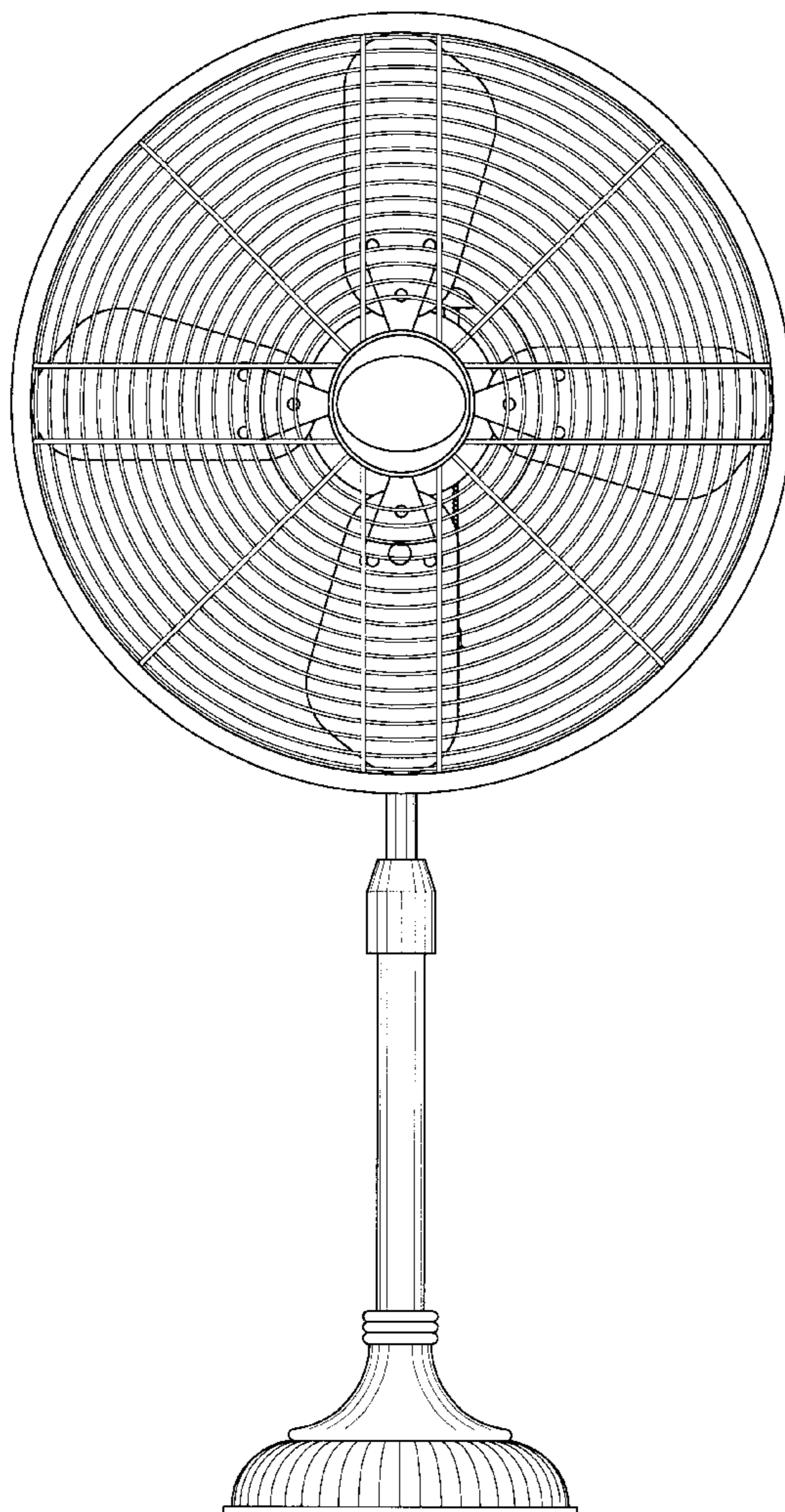
FIG. 6 is a bottom plan view thereof.

(56) **References Cited**

U.S. PATENT DOCUMENTS

D391,357 S * 2/1998 Chi D23/382

1 Claim, 4 Drawing Sheets



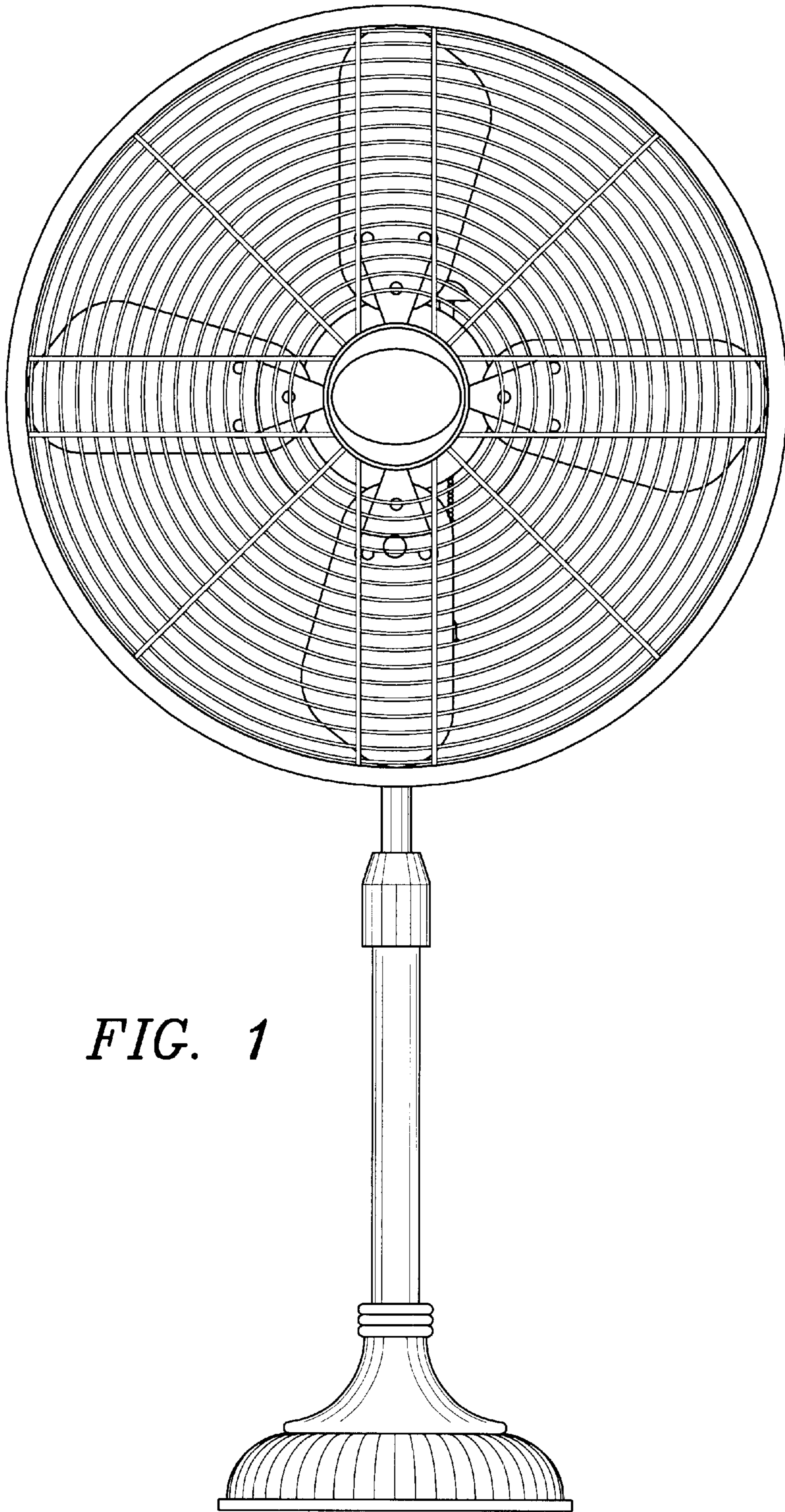


FIG. 1

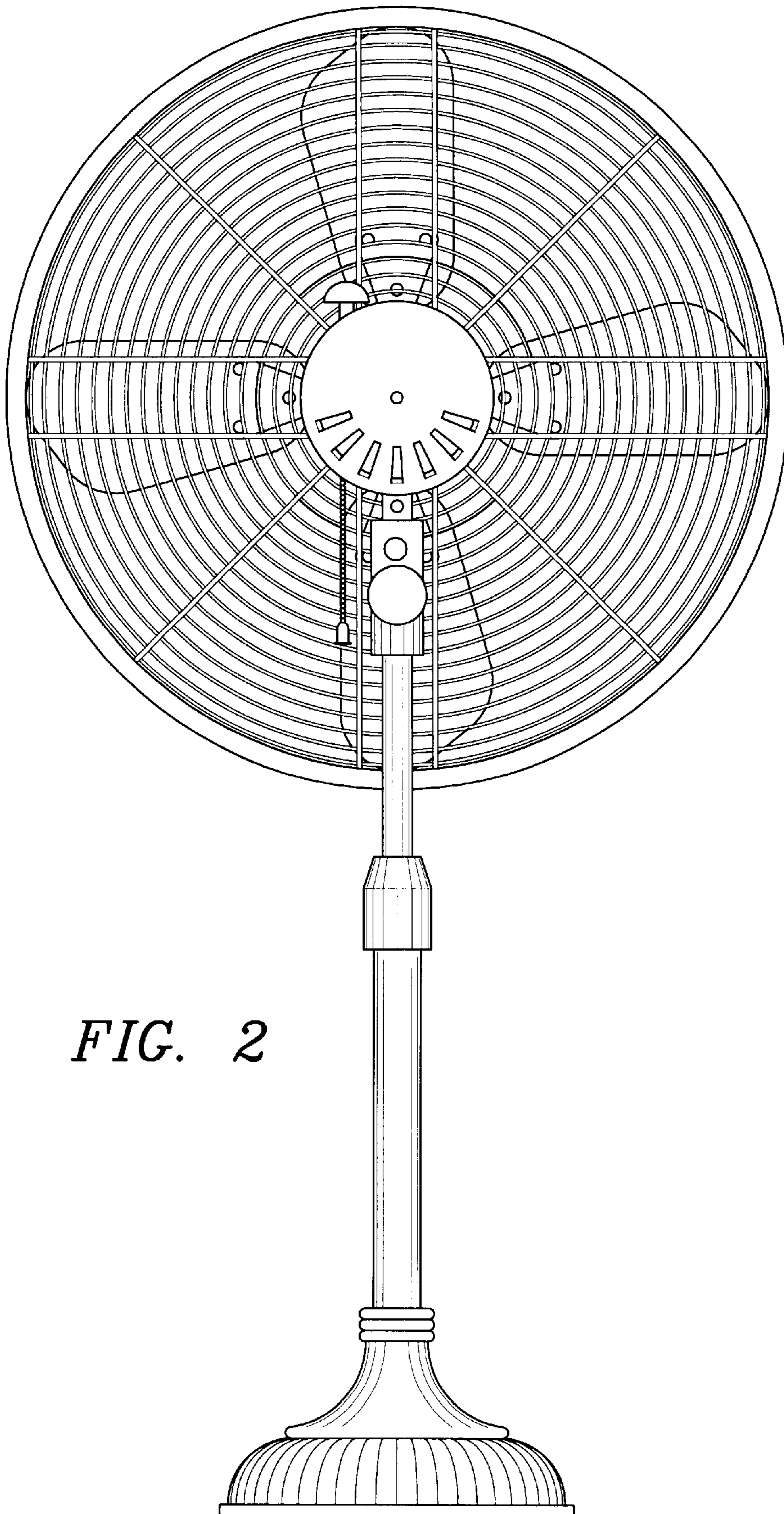
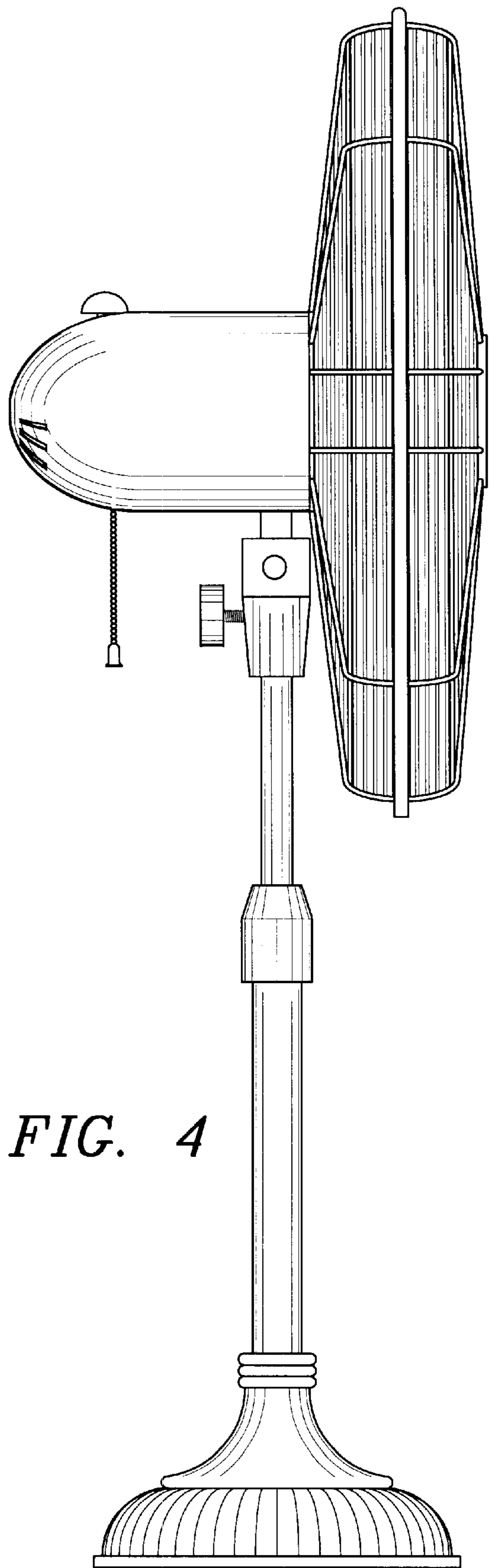
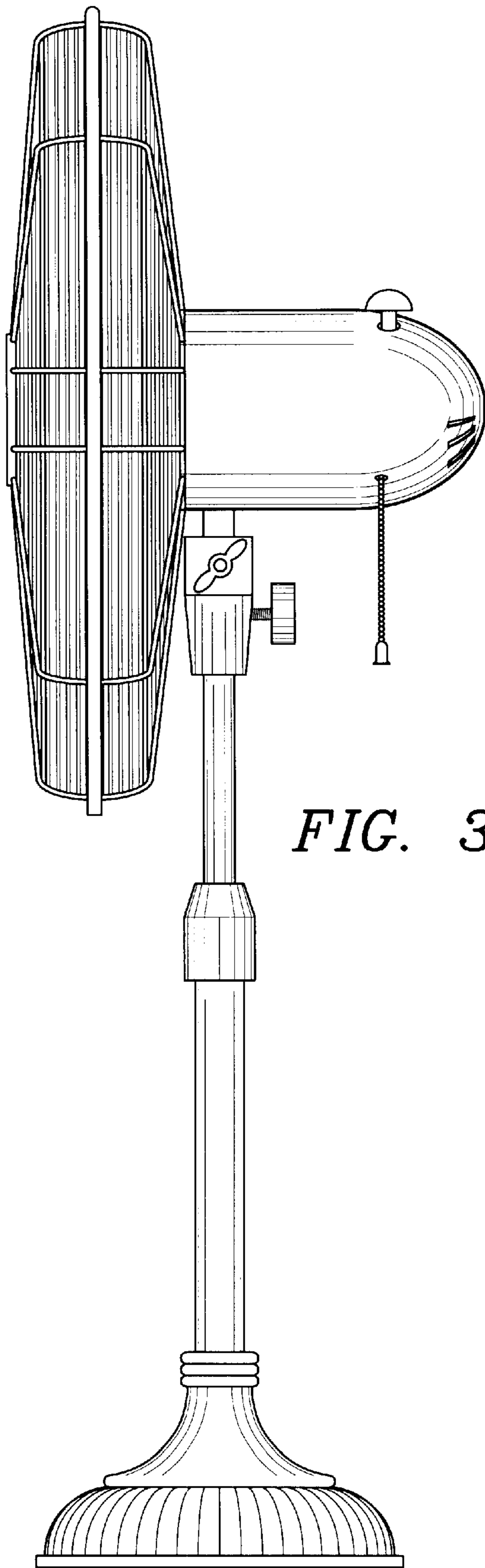


FIG. 2



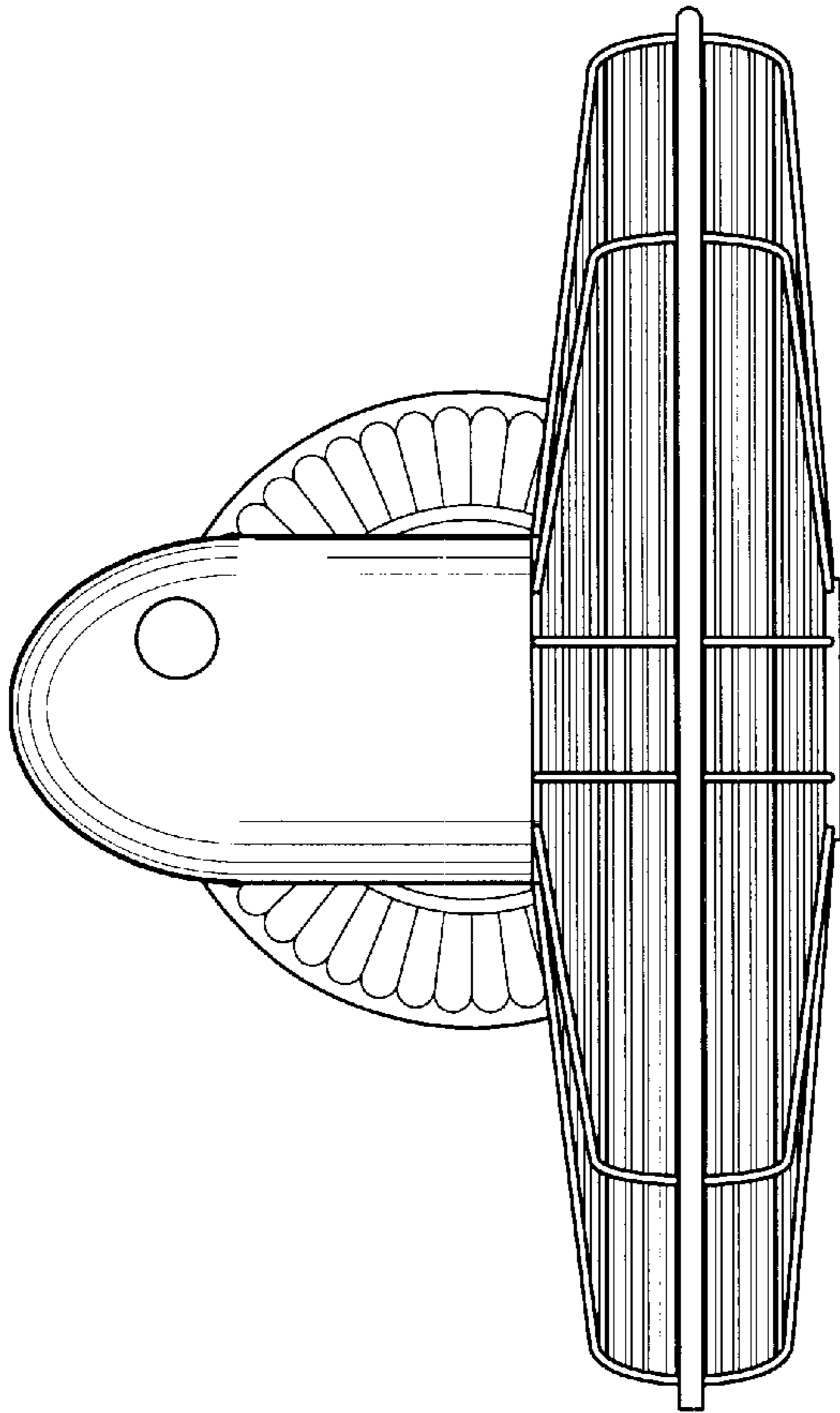


FIG. 5

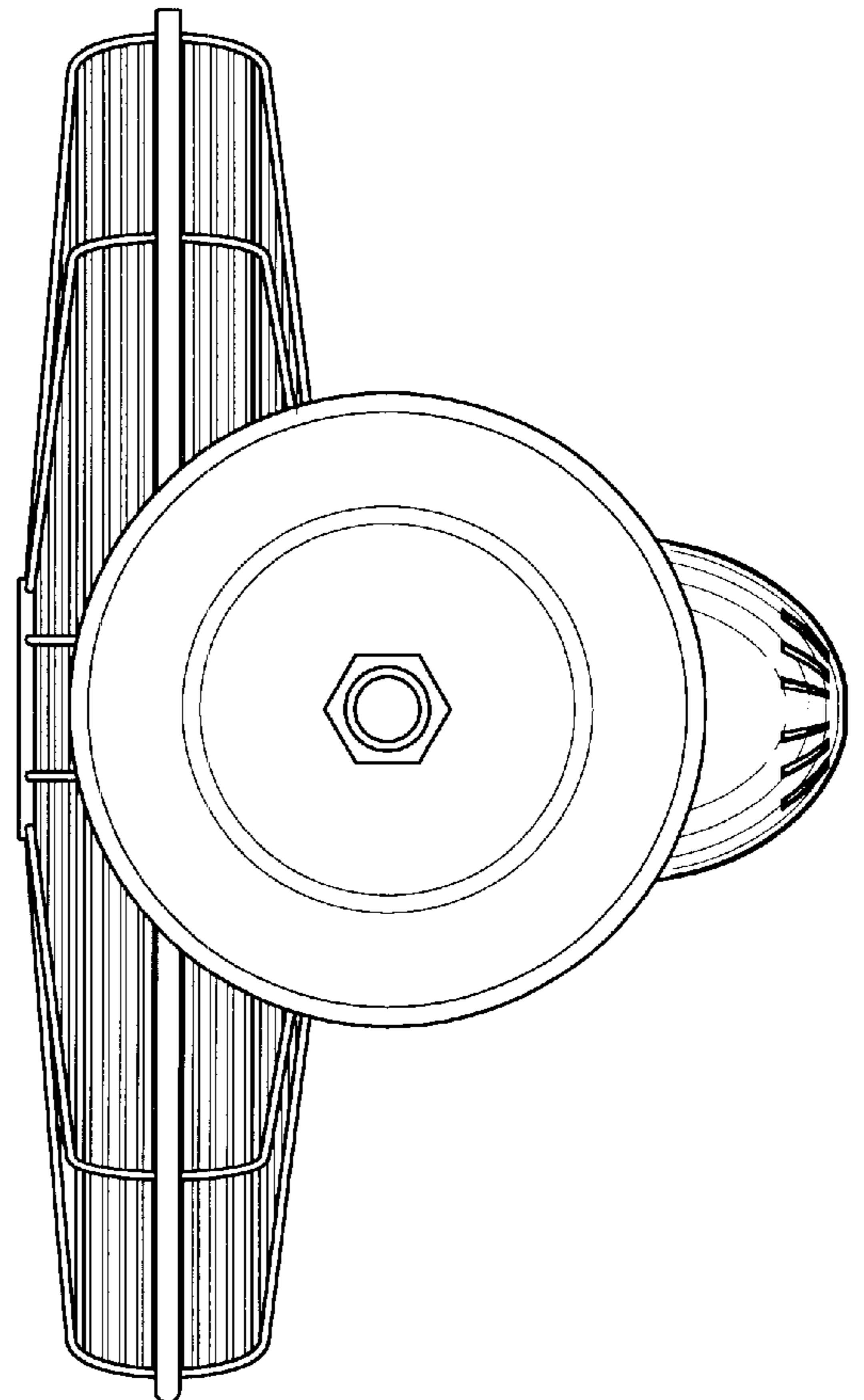


FIG. 6