



US00D482767S

(12) **United States Design Patent**
Dudley

(10) **Patent No.:** **US D482,767 S**

(45) **Date of Patent:** **** Nov. 25, 2003**

(54) **VEHICLE AIR FILTER HOUSING**

(75) Inventor: **Lynn A. Dudley**, Chino, CA (US)

(73) Assignee: **Vortox Company**, Claremont, CA (US)

(**) Term: **14 Years**

(21) Appl. No.: **29/162,143**

(22) Filed: **Jun. 11, 2002**

(51) **LOC (7) Cl.** **23-04**

(52) **U.S. Cl.** **D23/365**

(58) **Field of Search** D23/355, 364,
D23/365; 55/385.3, DIG. 28, 497-8; 454/158

(56) **References Cited**

U.S. PATENT DOCUMENTS

4,326,865 A *	4/1982	Siebels	55/385.3
D283,621 S *	4/1986	Gauer et al.	D15/5
D403,024 S *	12/1998	Muraki et al.	D23/365
6,425,930 B1 *	7/2002	Wake et al.	55/385.3

* cited by examiner

Primary Examiner—Robin V. Taylor

(74) *Attorney, Agent, or Firm*—Boniard I. Brown

(57) **CLAIM**

The ornamental design for a vehicle air filter housing, as shown and described.

DESCRIPTION

FIG. 1 is a perspective view of a vehicle air filter housing, wherein air intake openings are defined in an upper area thereof by broken lines;

FIG. 2 is a perspective view of the filter of FIG. 1 opposite from the view of FIG. 1;

FIG. 3 is an enlarged view of an area defined by circle 3 in FIG. 1, showing a pattern of holes defined in the area by broken lines in FIGS. 1, 2 and 4;

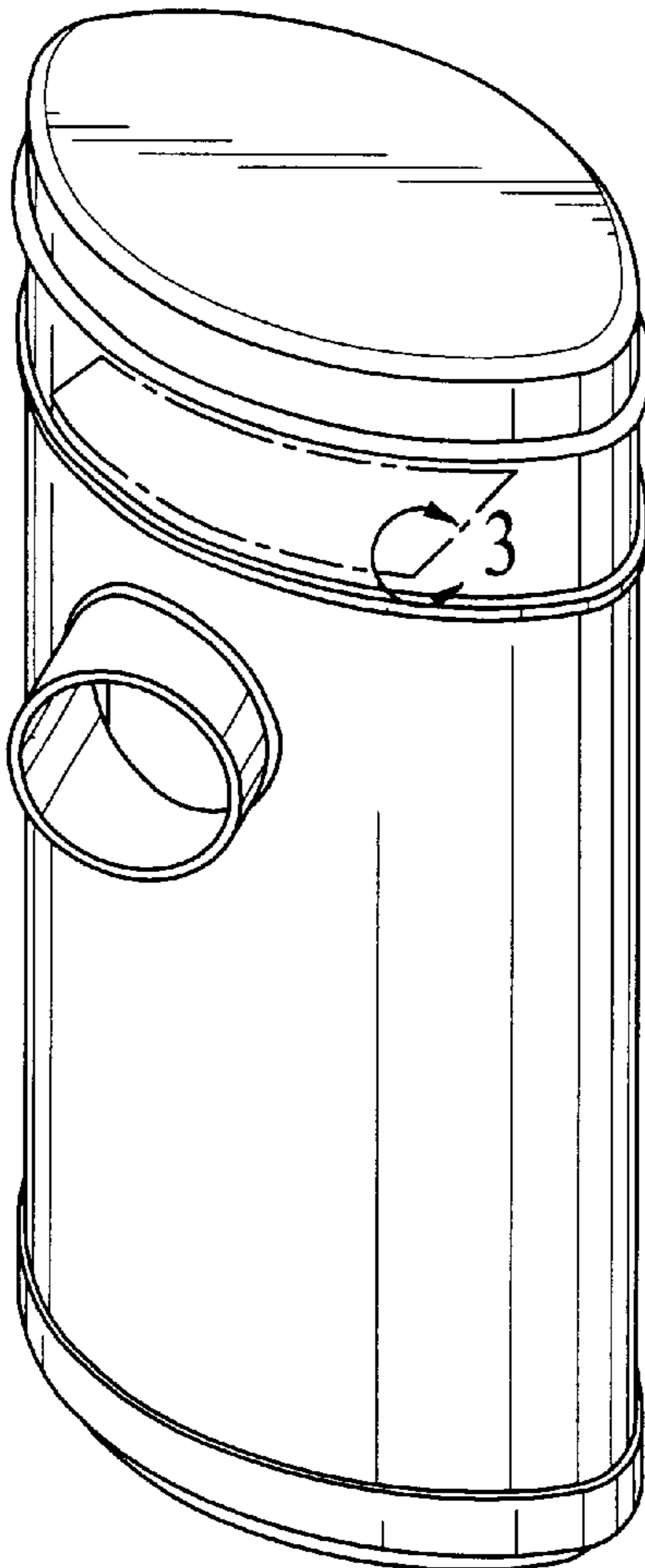
FIG. 4 is an elevational view of the embodiment shown in FIG. 1;

FIG. 5 is a top view thereof; and,

FIG. 6 is a bottom view thereof.

The broken line showing is for illustrative purposes only and forms no part of the claimed design.

1 Claim, 2 Drawing Sheets



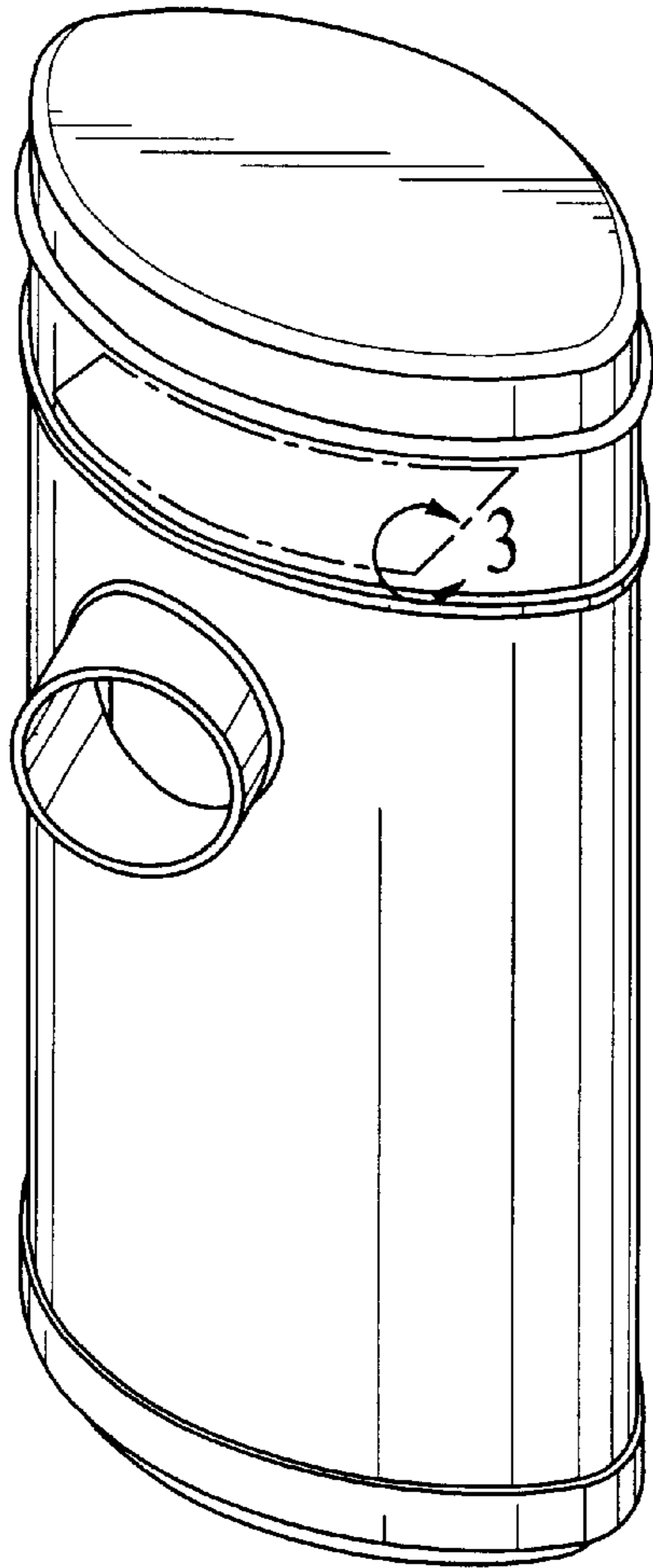


FIG. 1

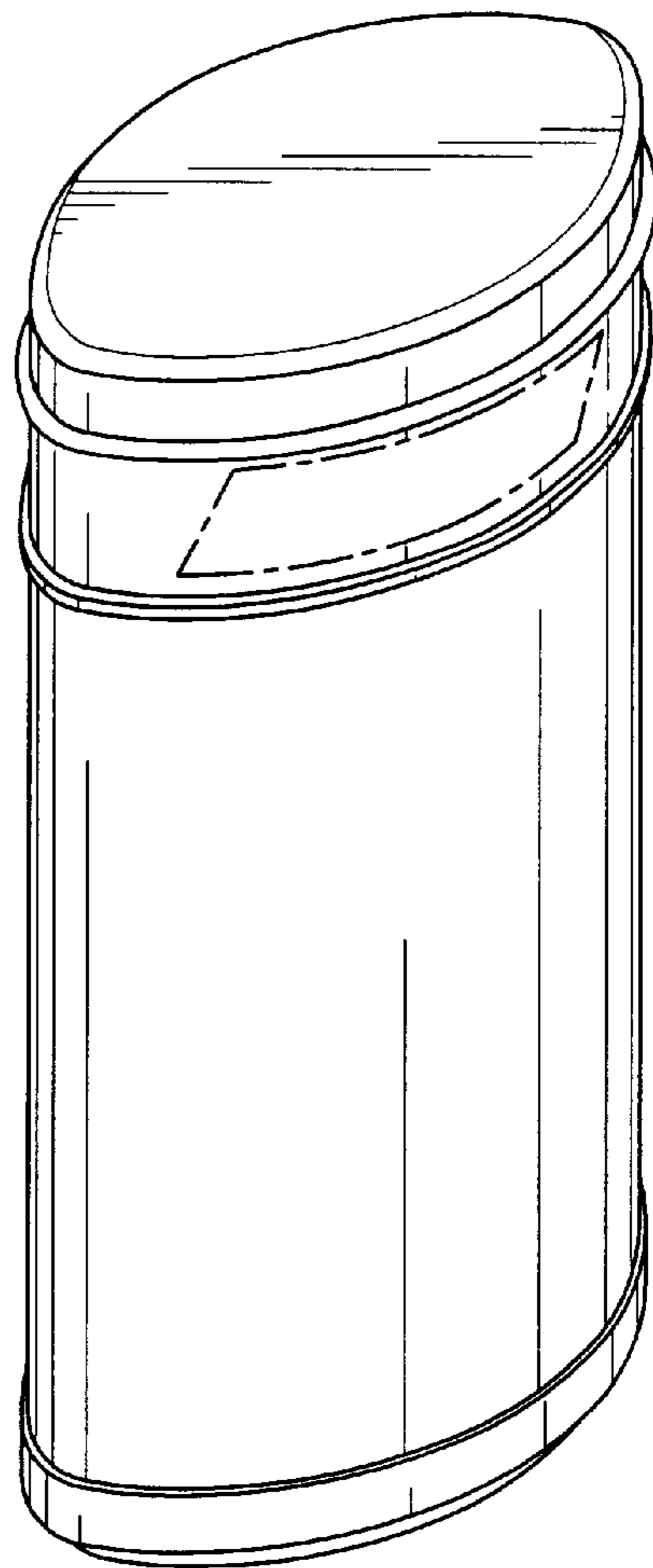


FIG. 2

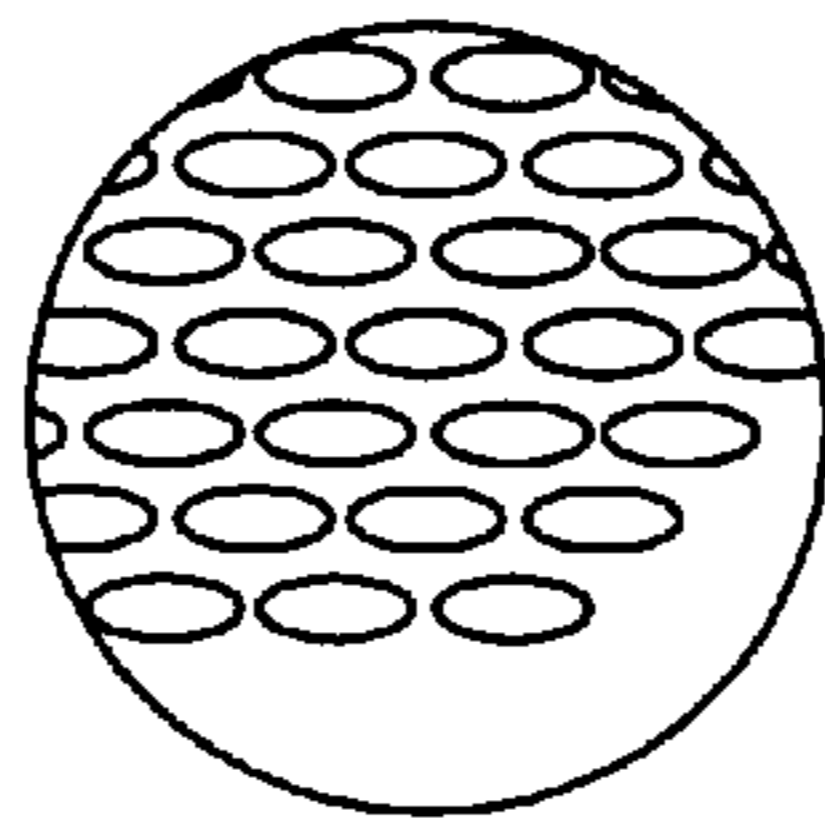


FIG. 3

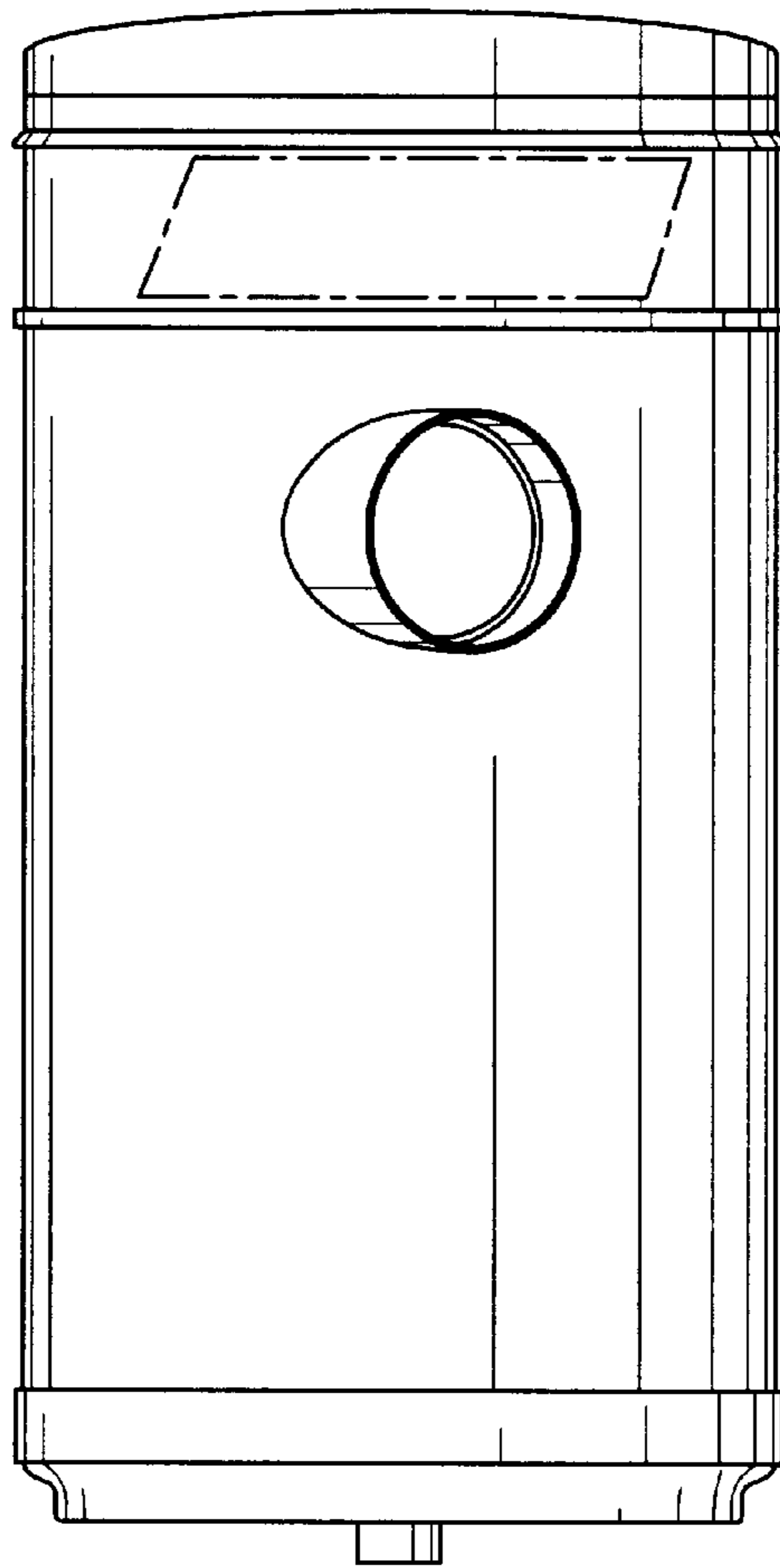


FIG. 4

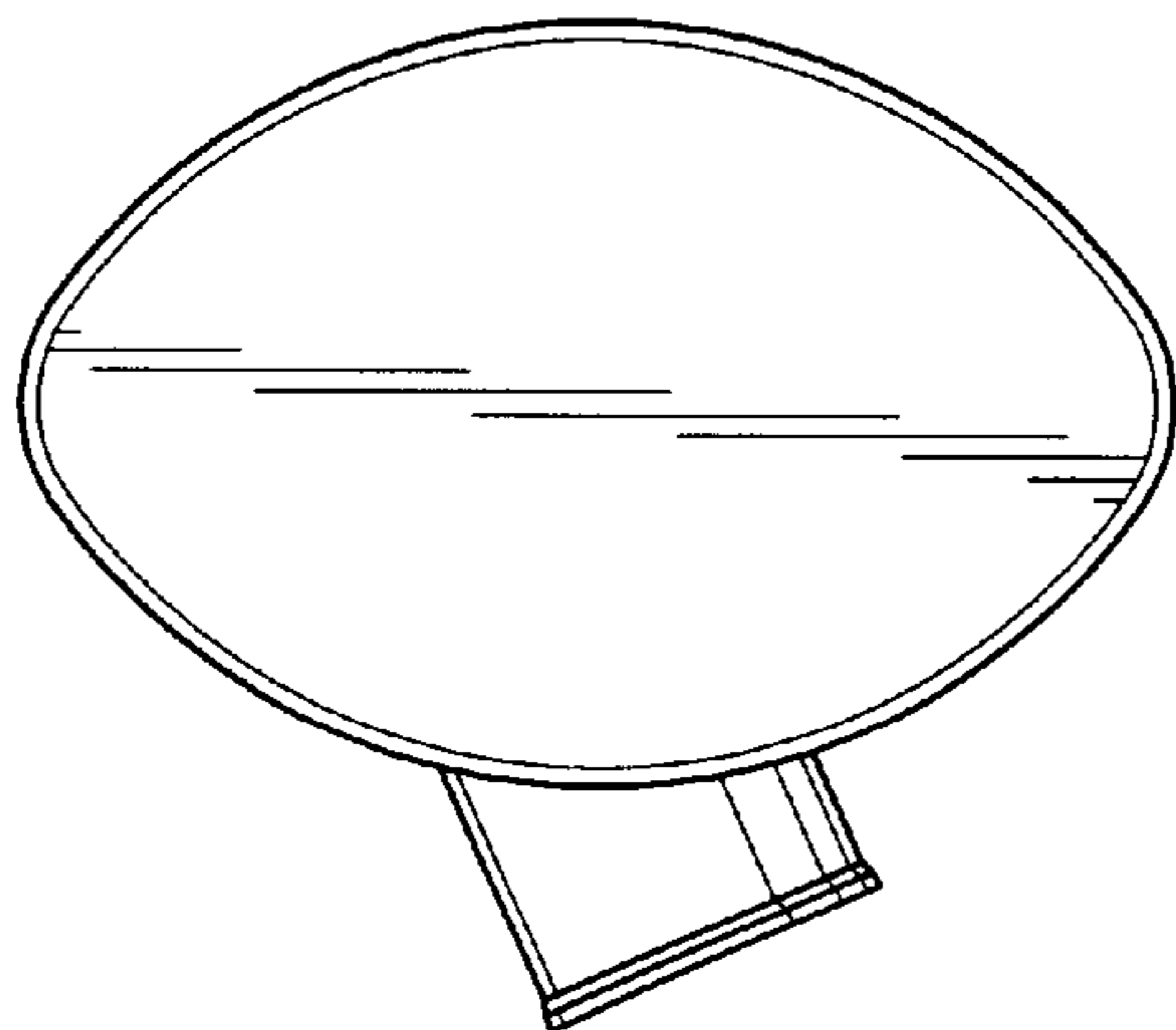


FIG. 5

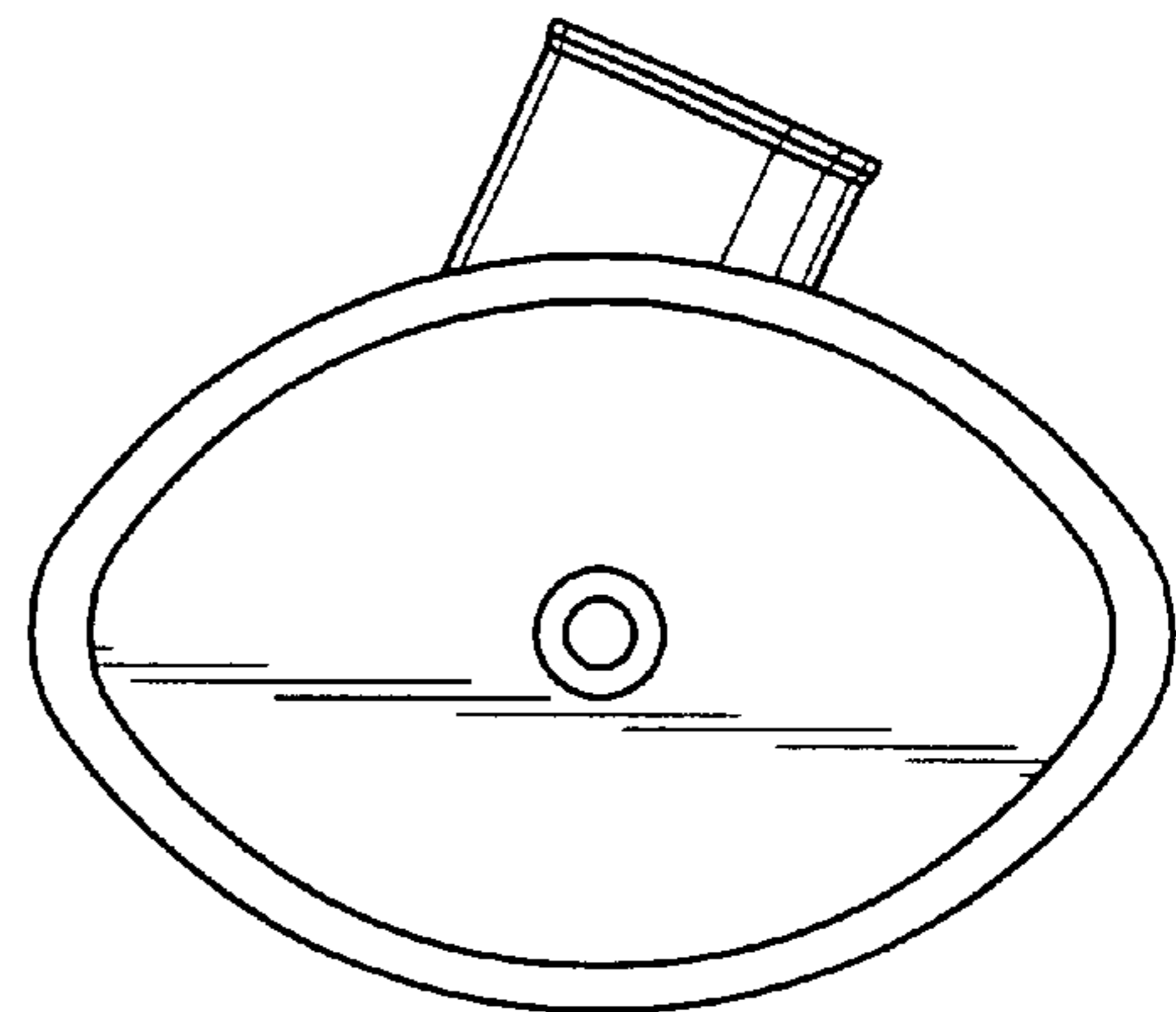


FIG. 6