



US00D482766S

(12) **United States Design Patent**
Fontana

(10) **Patent No.:** **US D482,766 S**

(45) **Date of Patent:** **** Nov. 25, 2003**

(54) **TOILET SEAT**

DESCRIPTION

(76) Inventor: **Scott Fontana**, 22 Carpenter Hill Rd.,
Charlton, MA (US) 01507-5255

FIG. 1 is a perspective view of one embodiment a toilet seat,
showing the new design;

(**) Term: **14 Years**

FIG. 2 is a close-up perspective view of the toilet seat of
FIG. 1;

(21) Appl. No.: **29/169,677**

FIG. 3 is a top plan view of the toilet seat of FIG. 1;

(22) Filed: **Oct. 24, 2002**

FIG. 4 is a front elevational view of the toilet seat of FIG.
1;

(51) **LOC (7) Cl.** **23-02**

FIG. 5 is a right side elevational view of the toilet seat of
FIG. 1;

(52) **U.S. Cl.** **D23/311**

(58) **Field of Search** D23/295-298,
D23/303, 309, 311-312; D8/307; 4/667,
661, 217, 234, 237, 246.1, 246.3, 246.5

FIG. 6 is a bottom plan view of the toilet seat of FIG. 1;

FIG. 7 is a perspective view of another embodiment a toilet
seat, showing the new design;

(56) **References Cited**

FIG. 8 is a close-up perspective view of the toilet seat of
FIG. 7;

U.S. PATENT DOCUMENTS

FIG. 9 is a top plan view of the toilet seat of FIG. 7;

D161,108 S * 12/1950 Kandarian D23/311
D352,102 S * 11/1994 Barnette et al. D23/311
D352,773 S * 11/1994 Haleschuk D23/311
D382,949 S * 8/1997 Ouzounian D23/311

FIG. 10 is a front elevational view of the toilet seat of FIG.
7;

FIG. 11 is a left side elevational view of the toilet seat of
FIG. 7; and,

* cited by examiner

FIG. 12 is a bottom plan view of the toilet seat of FIG. 7.

Primary Examiner—Louis S. Zarfes

The broken line showing the remainder of the toilet assem-
bly and flooring is for illustrative purposes only and forms
no part of the claimed design.

Assistant Examiner—Robert A. Delehanty

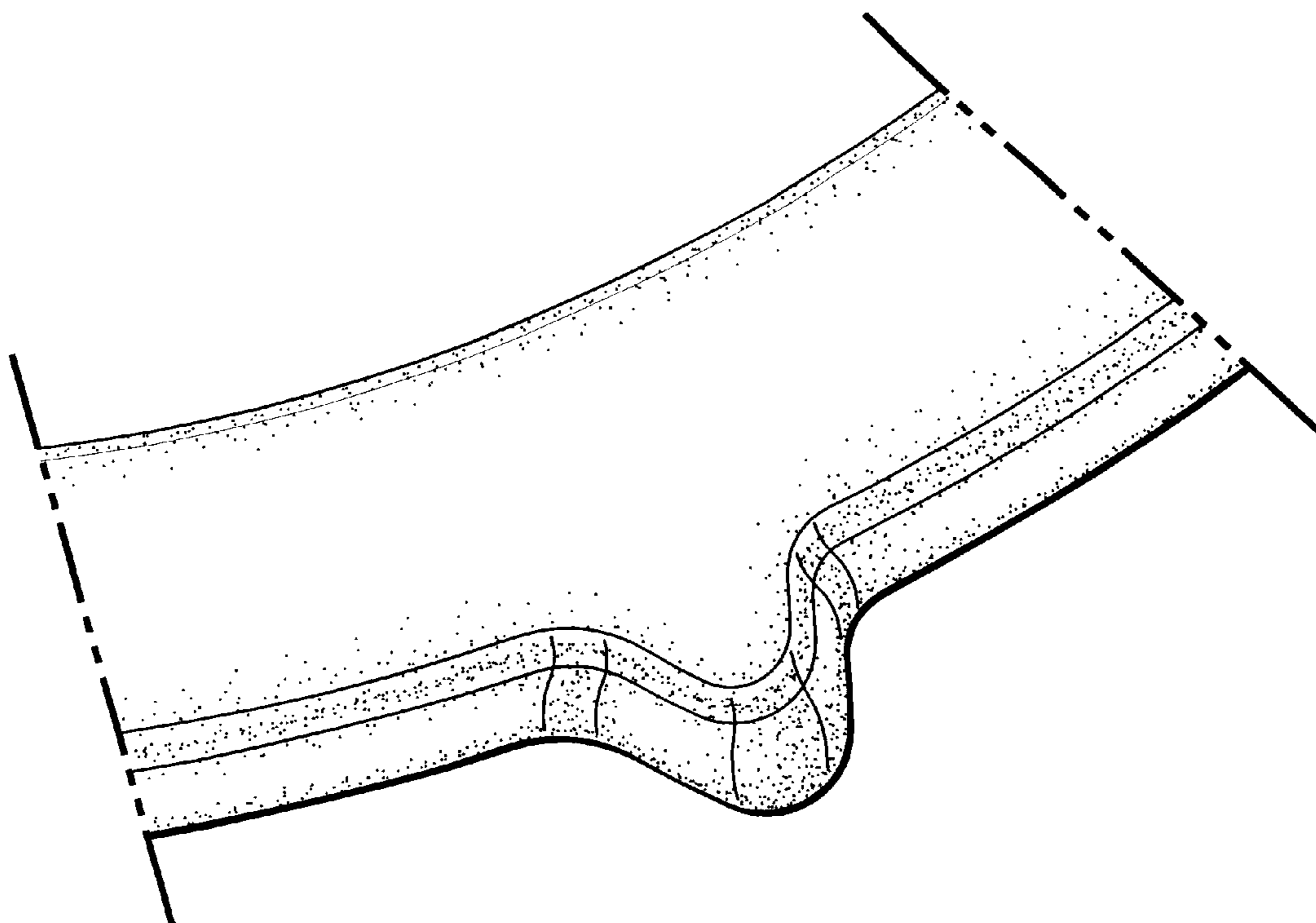
(74) *Attorney, Agent, or Firm*—Lathrop & Gage L.C.

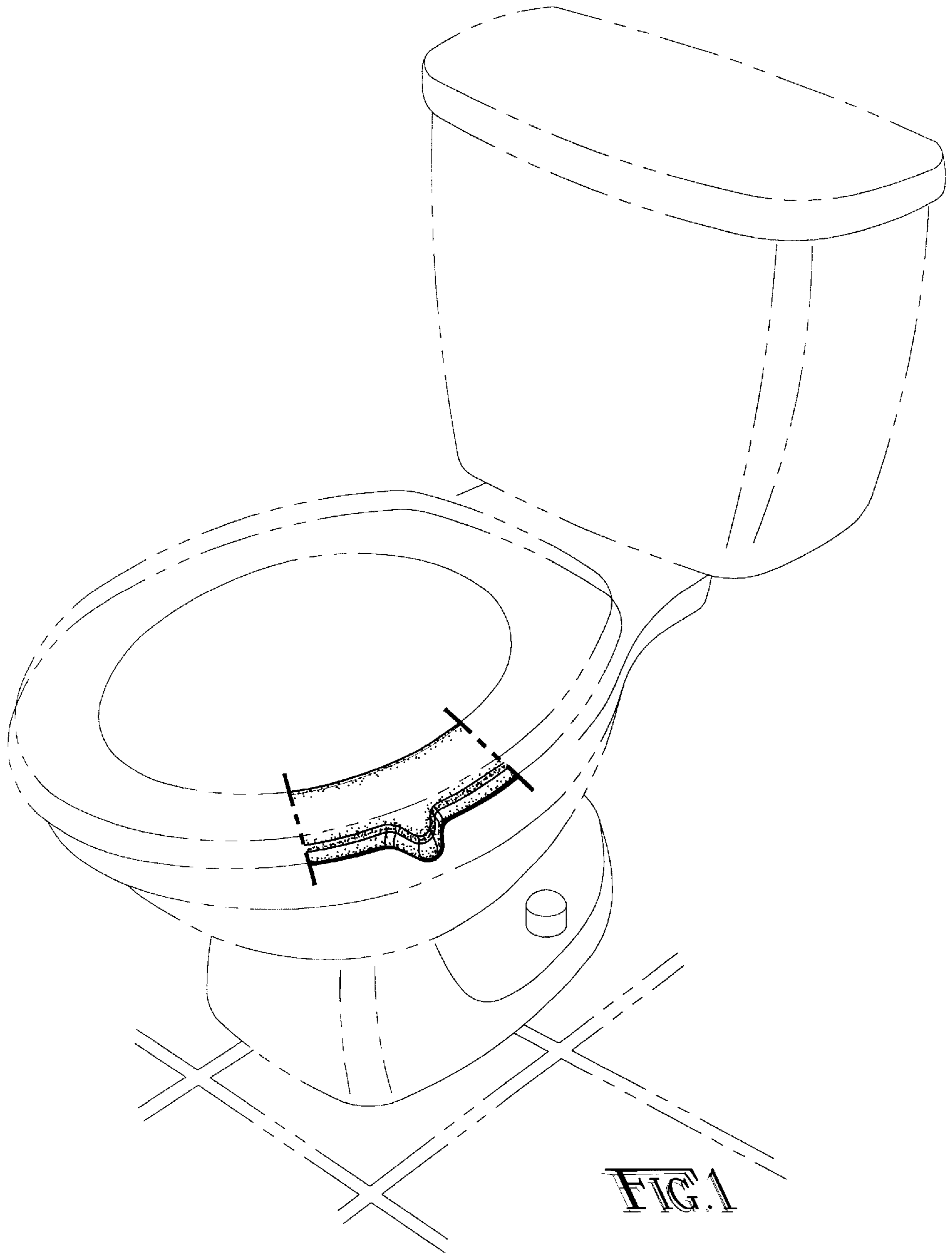
The broken line(s) which define the bounds of the claimed
design form no part thereof.

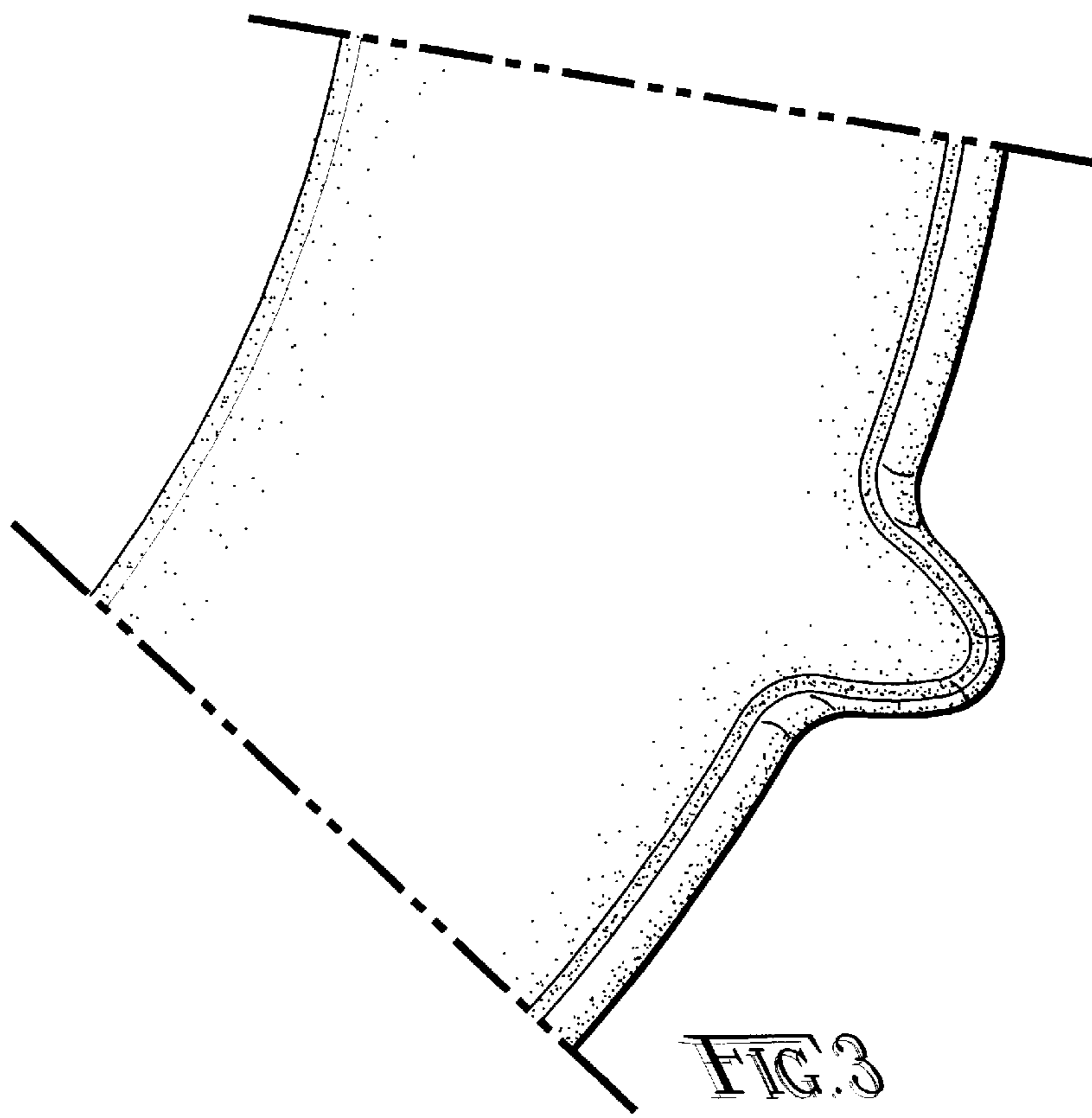
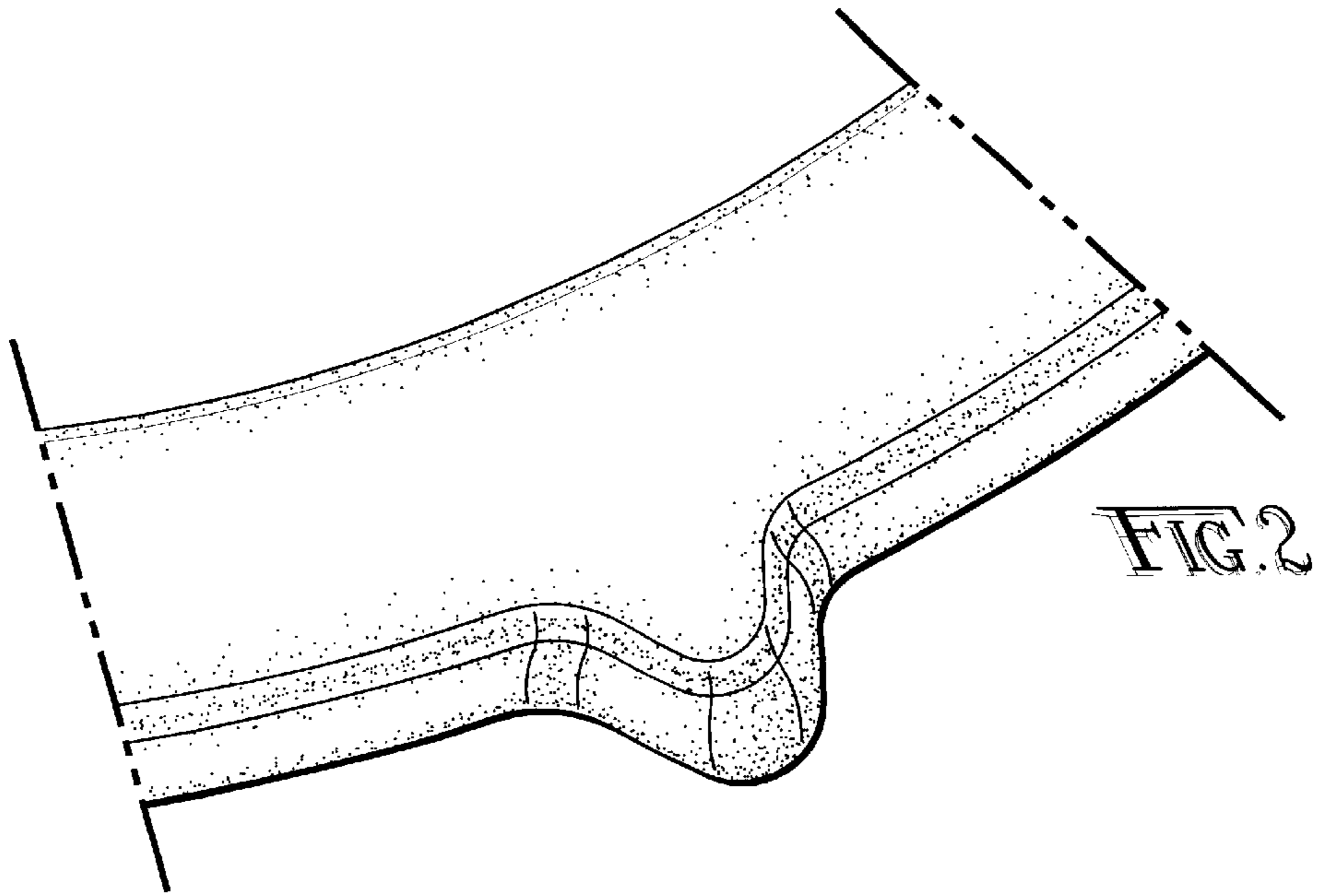
(57) **CLAIM**

The ornamental design for a toilet seat, as shown and
described.

1 Claim, 6 Drawing Sheets







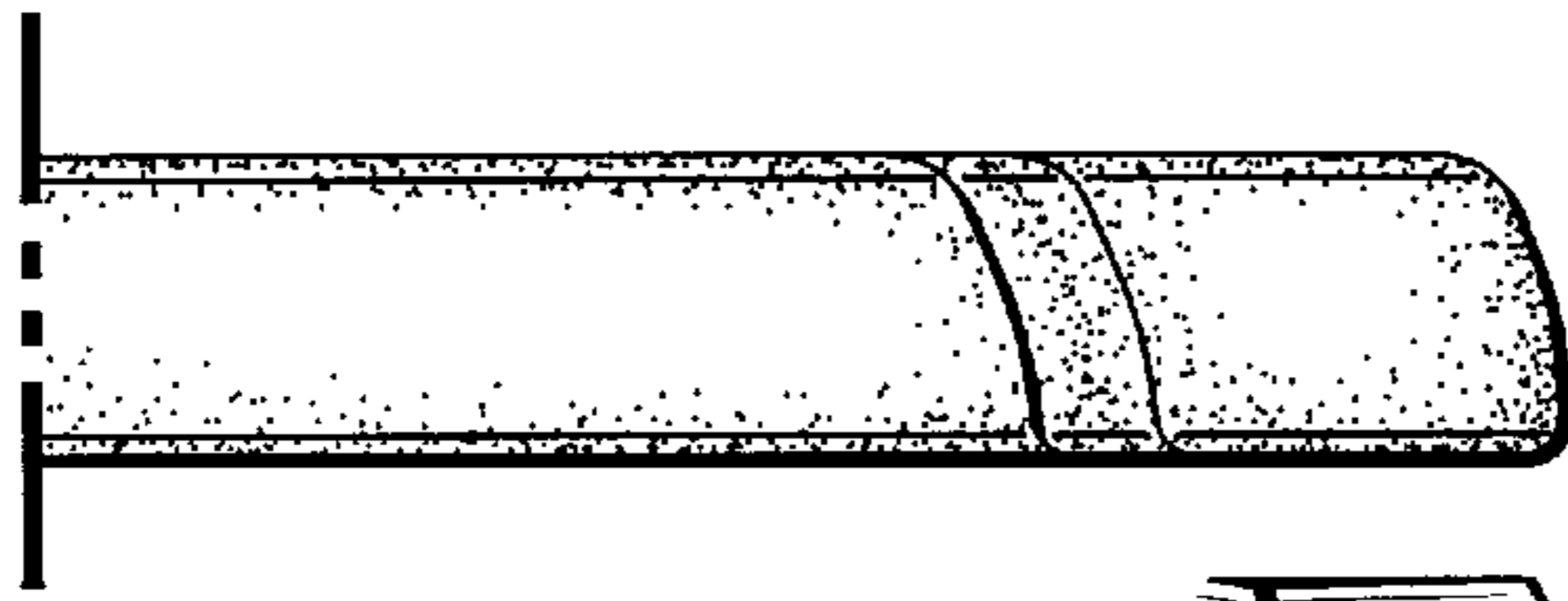


FIG. 4

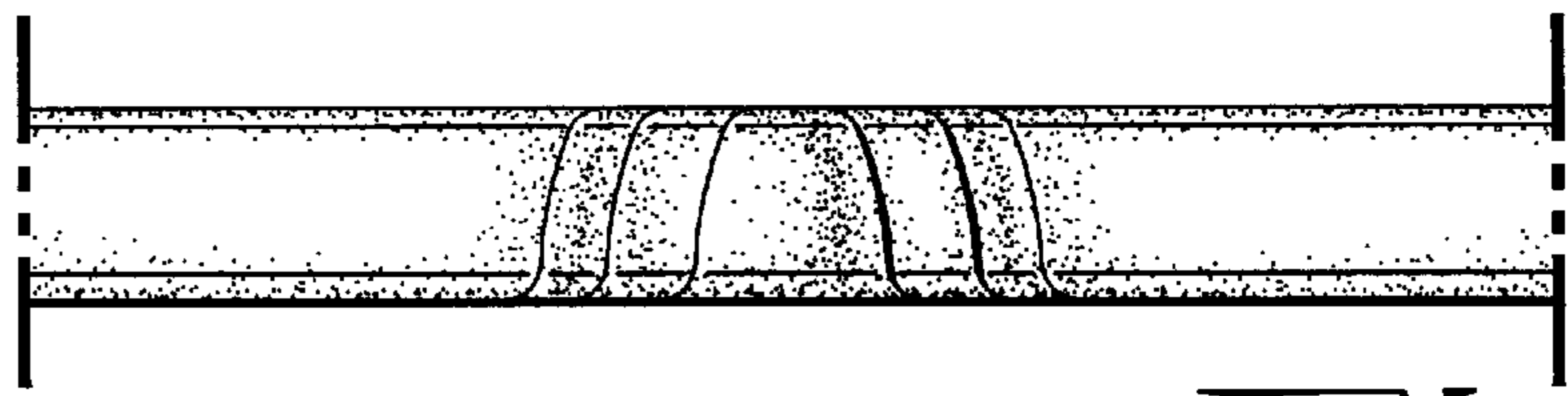


FIG. 5

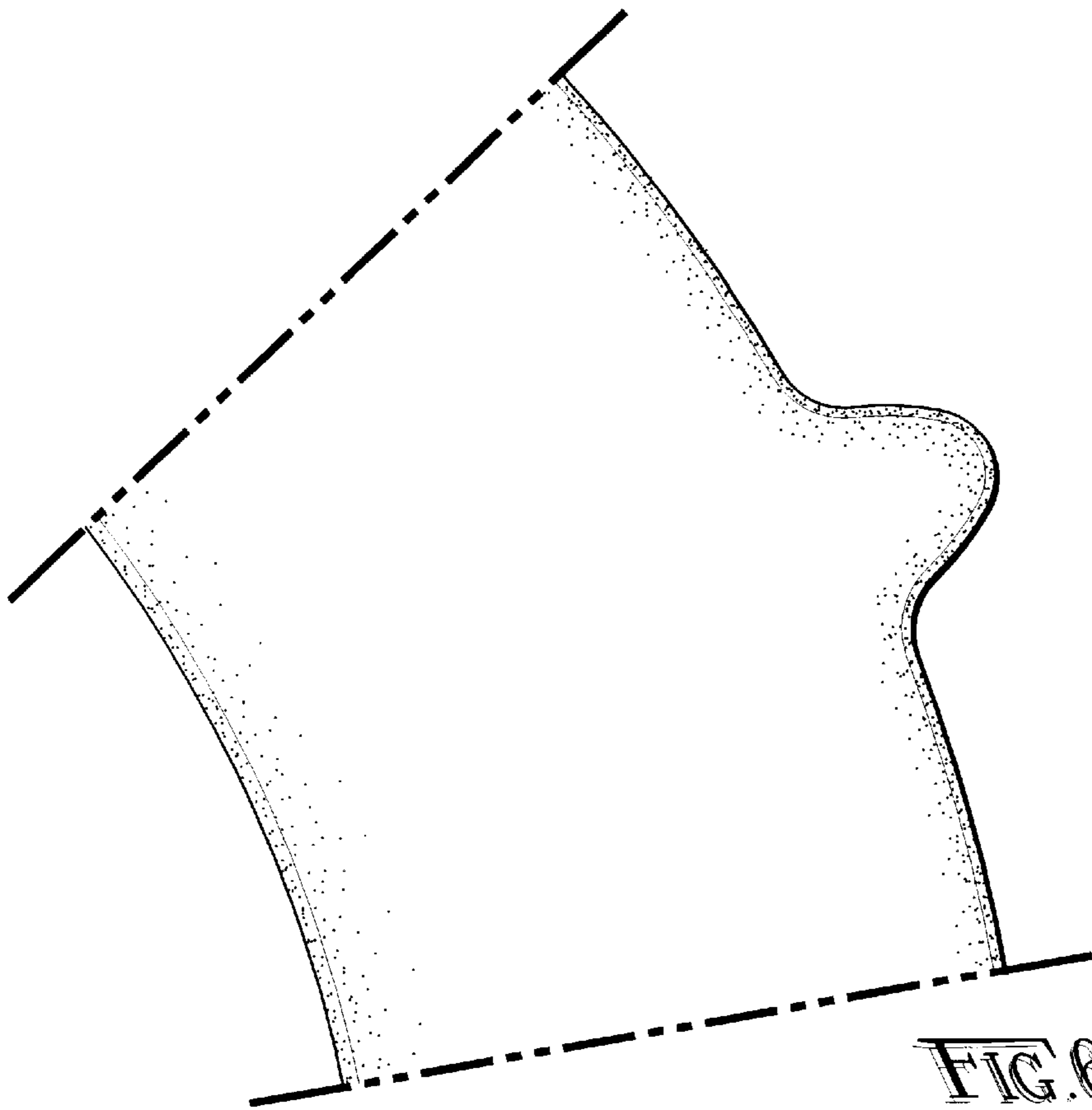


FIG. 6

