



US00D482765S

(12) **United States Design Patent**  
**Ming-Hwa**

(10) **Patent No.:** **US D482,765 S**

(45) **Date of Patent:** **\*\* Nov. 25, 2003**

(54) **POWER-DRIVEN TOILET SEAT LIFTER**

6,507,961 B1 \* 1/2003 Ming-Hwa ..... 4/667  
D471,965 S \* 3/2003 Lu et al. .... D23/296

(75) Inventor: **Shou Ming-Hwa, Hsin Tien (TW)**

\* cited by examiner

(73) Assignee: **Dynamic HealthTech INC, Taipei Shien (TW)**

*Primary Examiner*—Louis S. Zarfaz  
*Assistant Examiner*—Robert A. Delehanty  
(74) *Attorney, Agent, or Firm*—W. Wayne Liauh

(\*\*) Term: **14 Years**

(57) **CLAIM**

(21) Appl. No.: **29/166,634**

A power-driven toilet seat lifter, as shown and described.

(22) Filed: **Aug. 29, 2002**

**DESCRIPTION**

(51) **LOC (7) Cl.** ..... **23-02**

(52) **U.S. Cl.** ..... **D23/309**

(58) **Field of Search** ..... D23/295, 296,  
D23/303, 309, 311; 4/667, 312, 449, 460,  
478, 254, 902; D6/368

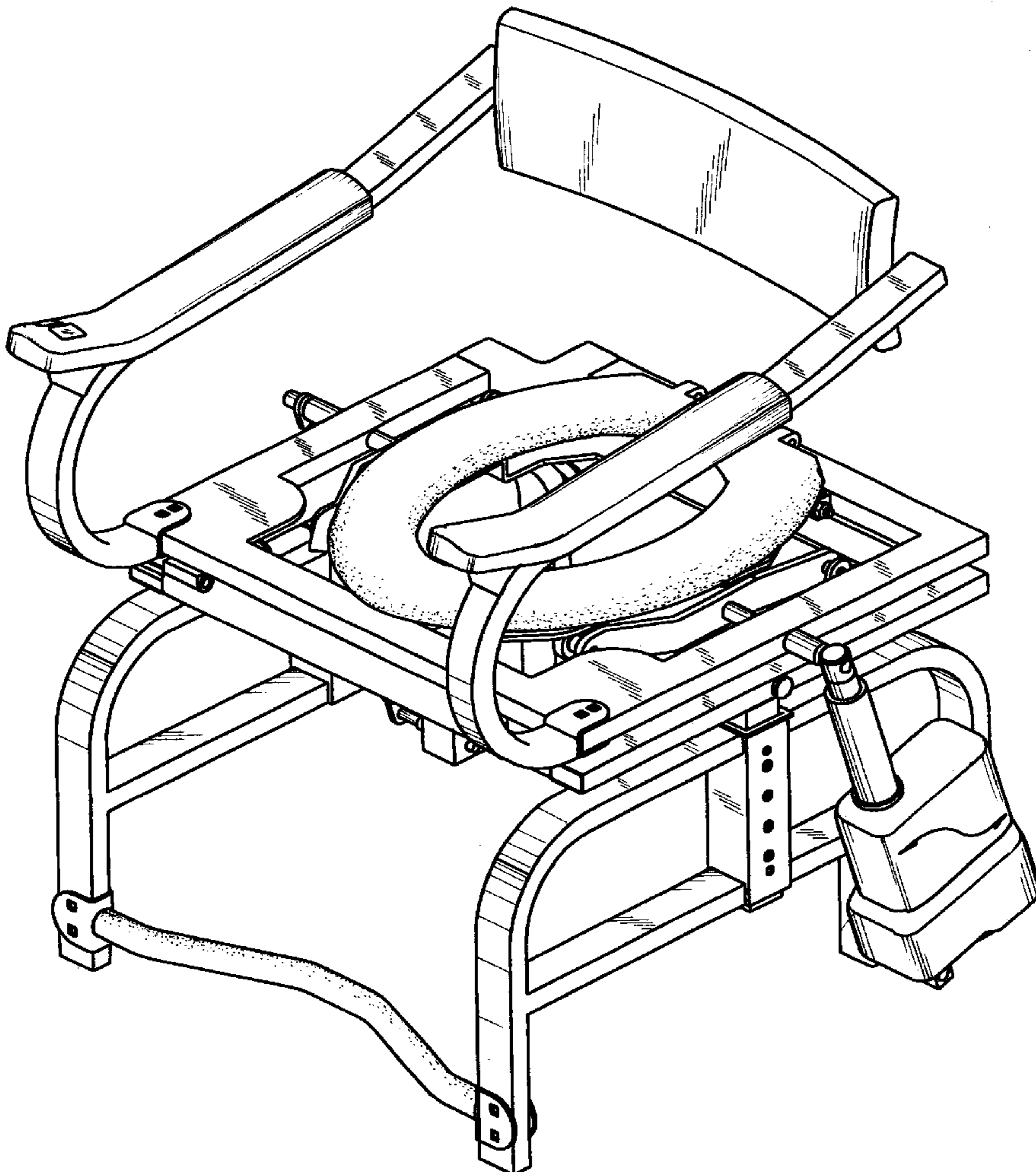
FIG. 1 is a perspective view of the power-driven toilet seat lifter showing my design;  
FIG. 2 is a front view thereof;  
FIG. 3 is a rear view thereof;  
FIG. 4 is a left side view thereof;  
FIG. 5 is a right side view thereof;  
FIG. 6 is a top view thereof;  
FIG. 7 is a bottom view thereof; and,  
FIG. 8 is a perspective view showing the power-driven toilet seat lifter in use.

(56) **References Cited**

**U.S. PATENT DOCUMENTS**

3,473,174 A \* 10/1969 Cool ..... 4/667  
4,833,736 A \* 5/1989 Sadler et al. .... 4/667  
4,993,085 A \* 2/1991 Gibbons ..... 4/667

**1 Claim, 8 Drawing Sheets**



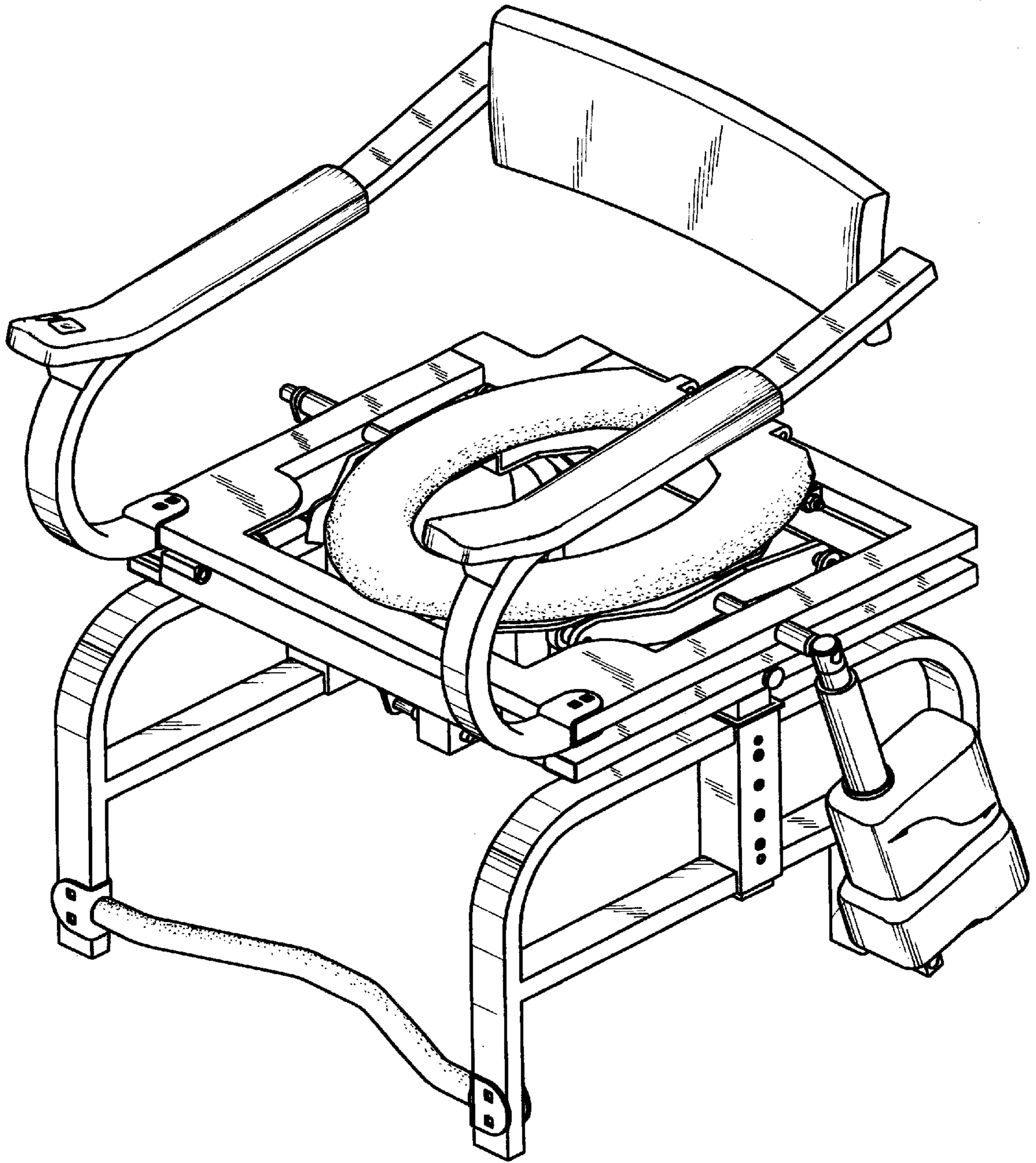


FIG. 1

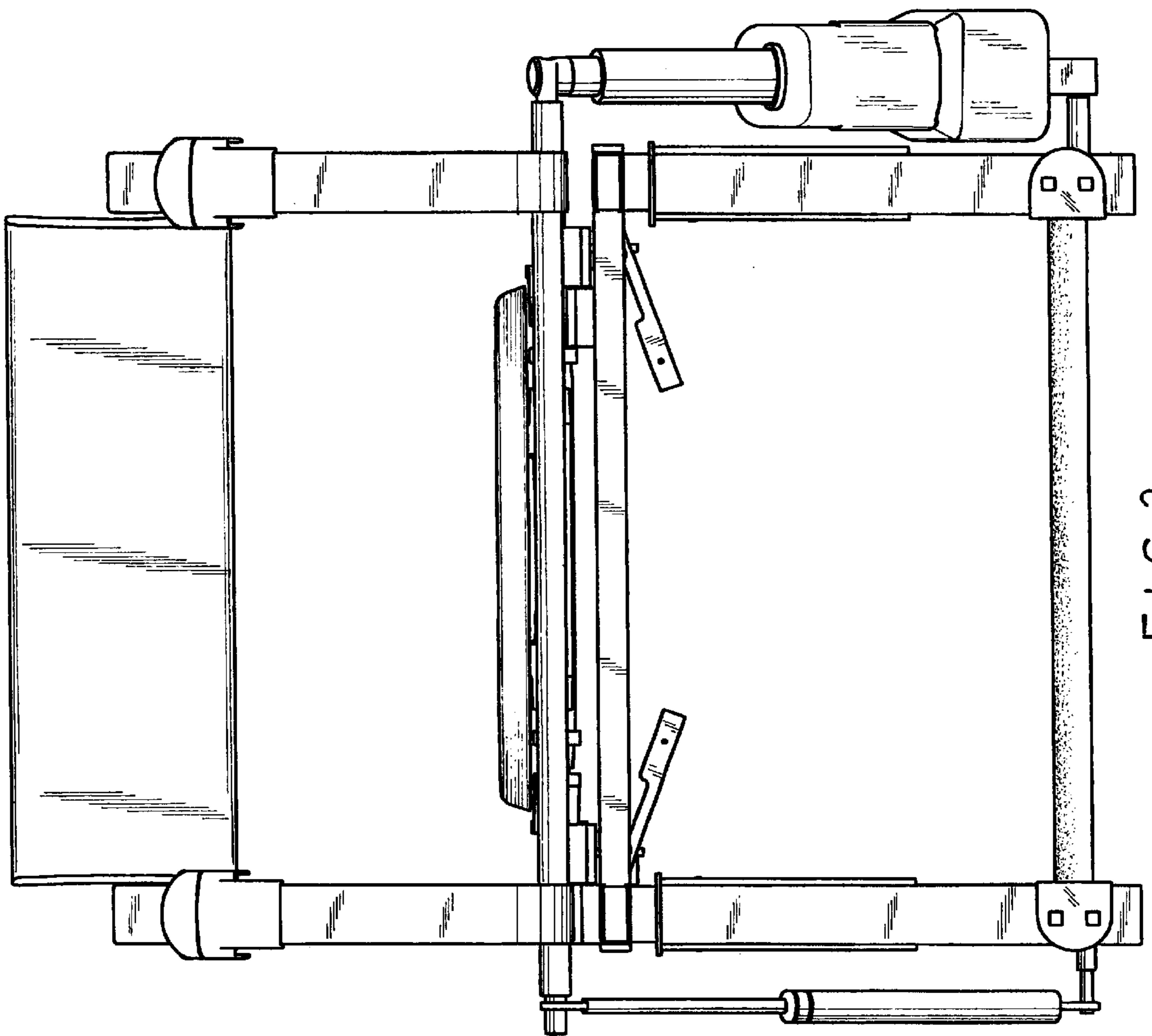
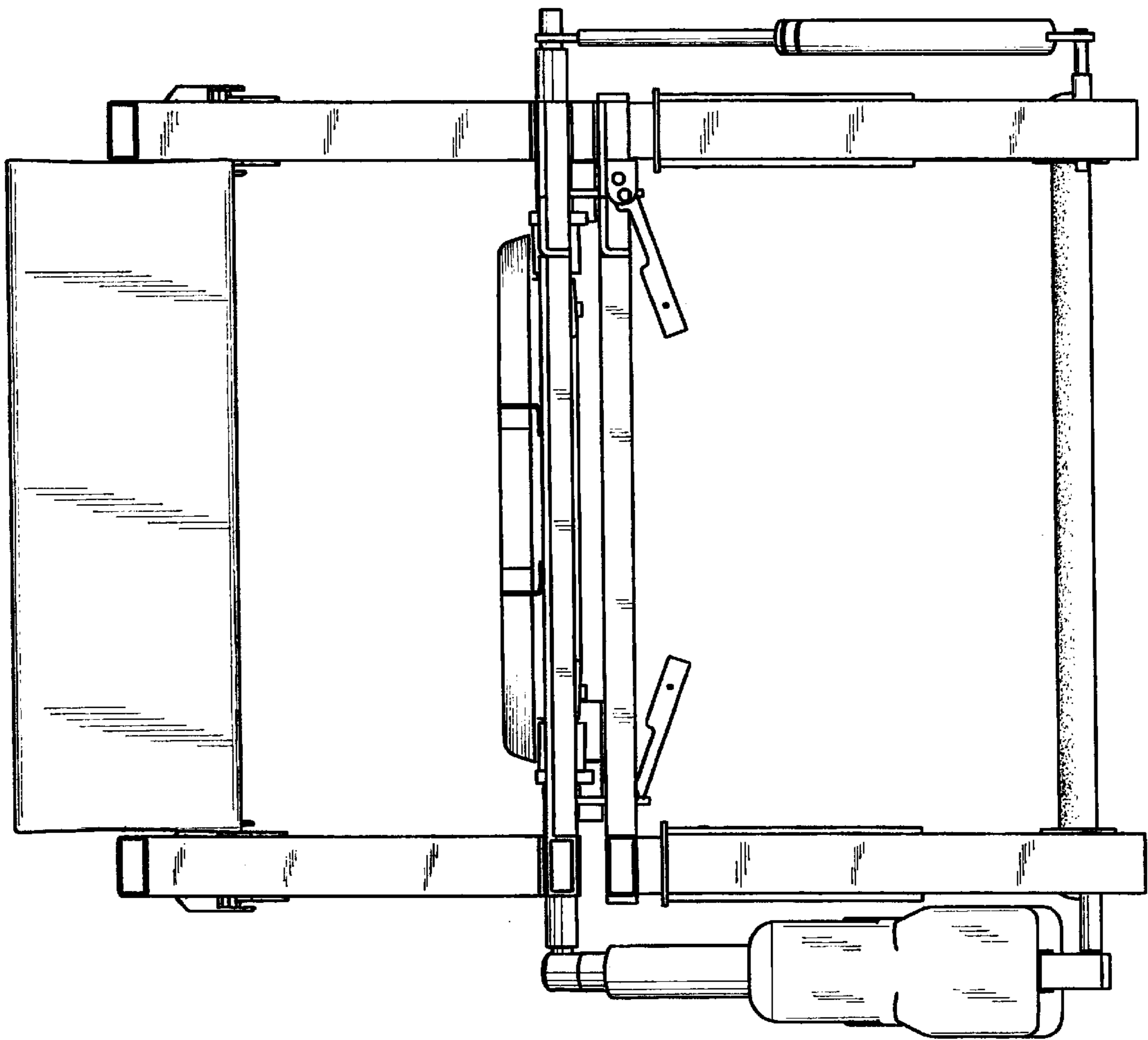


FIG. 2

FIG. 3





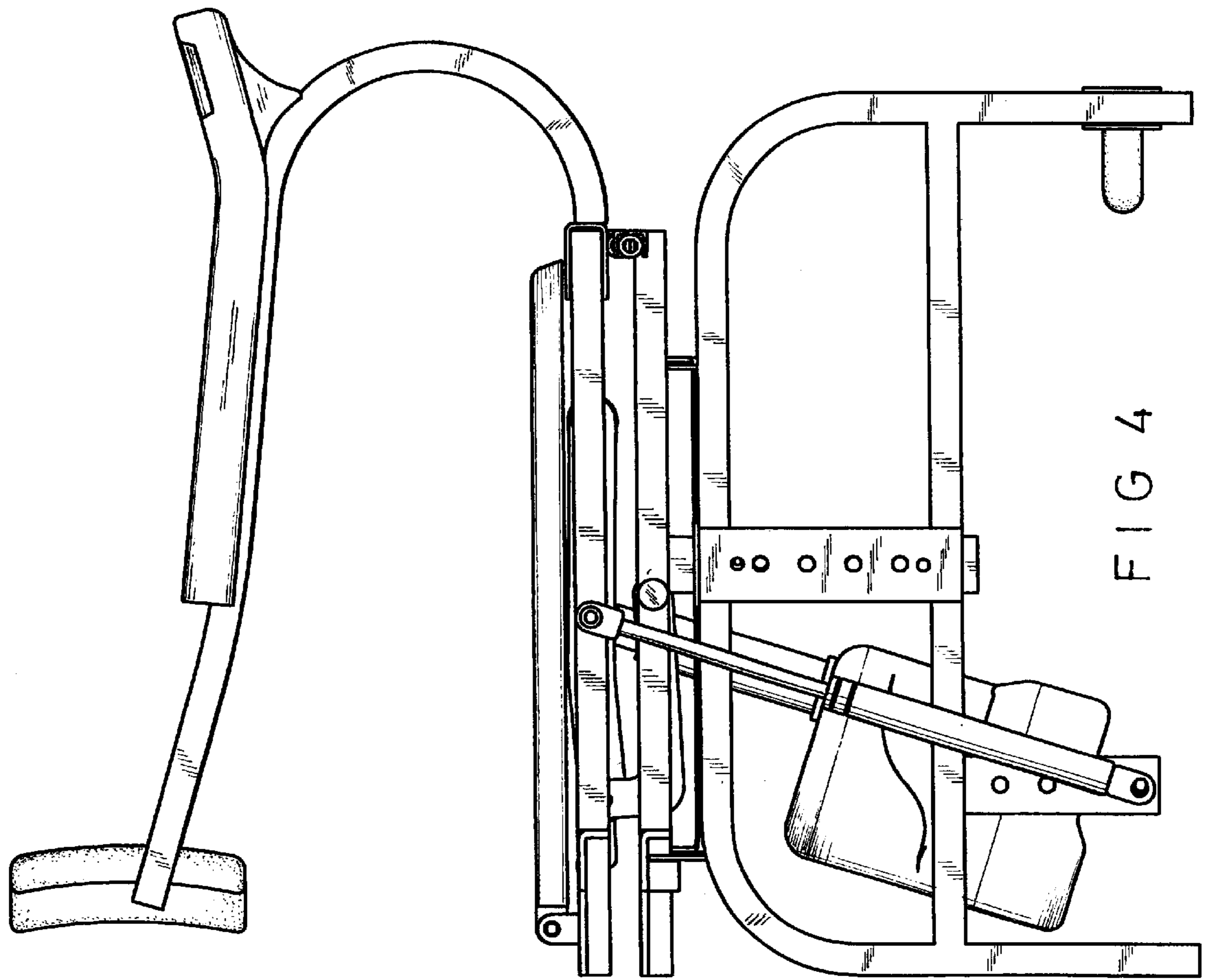


FIG 4

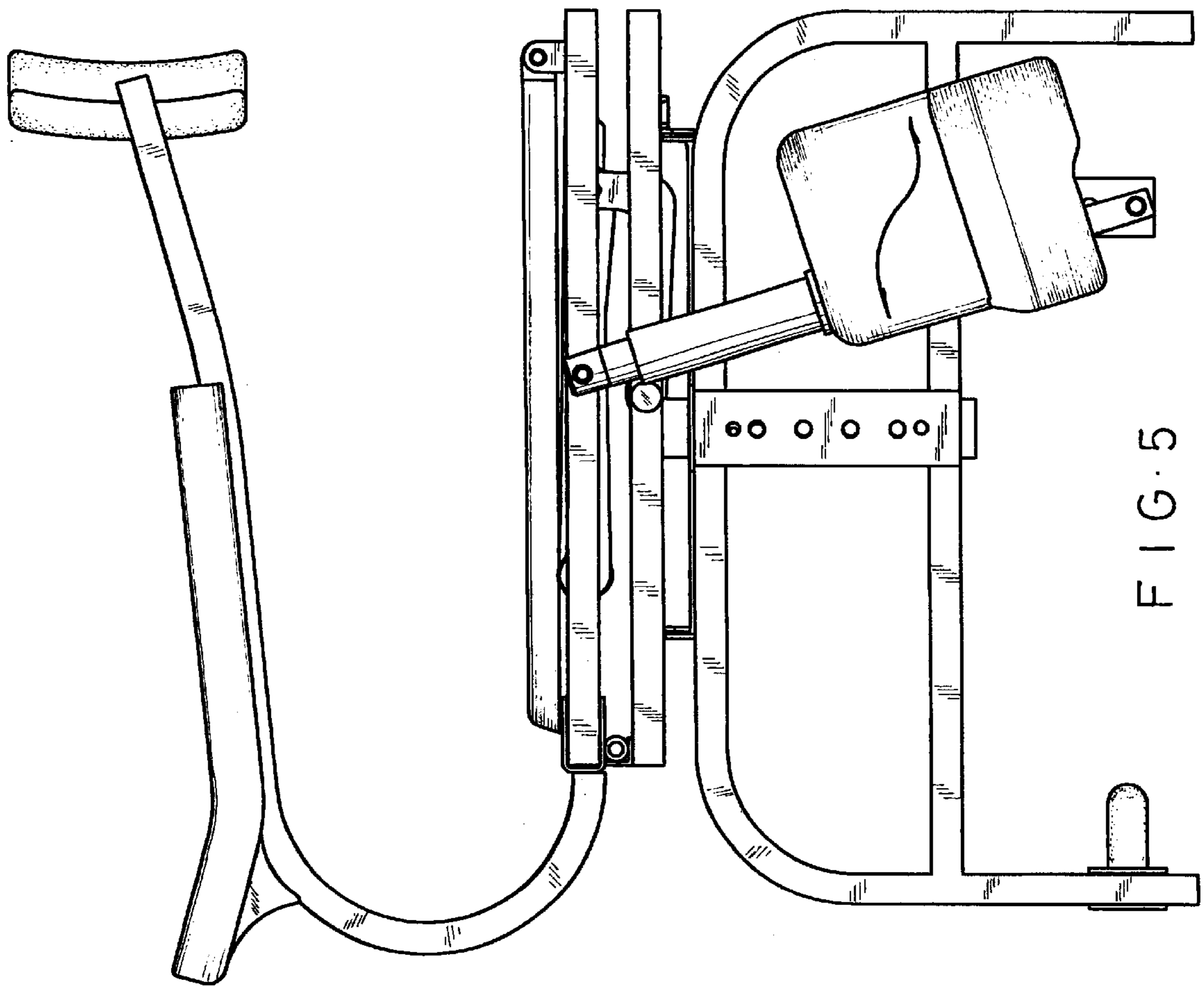


FIG. 5

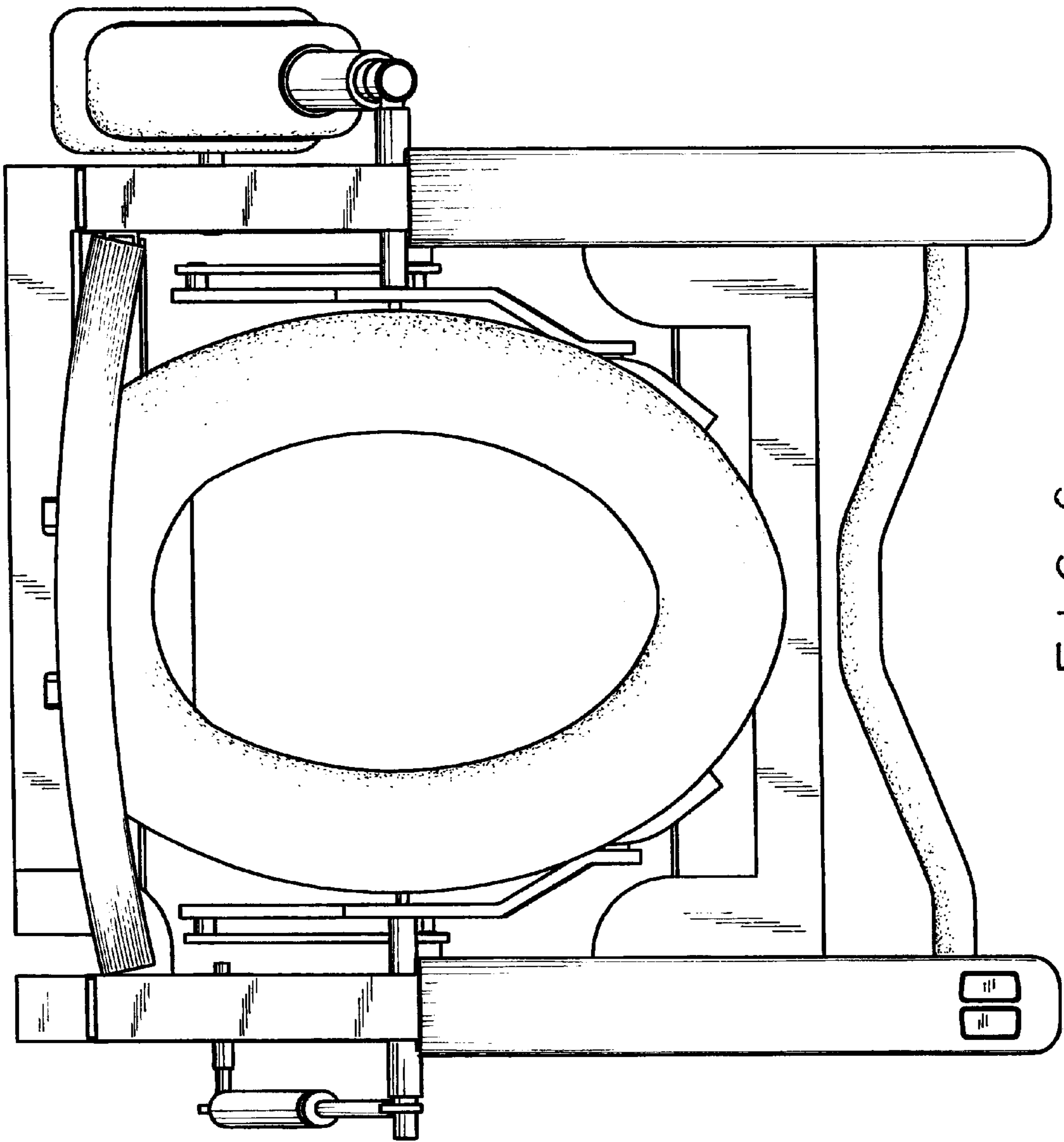


FIG. 6

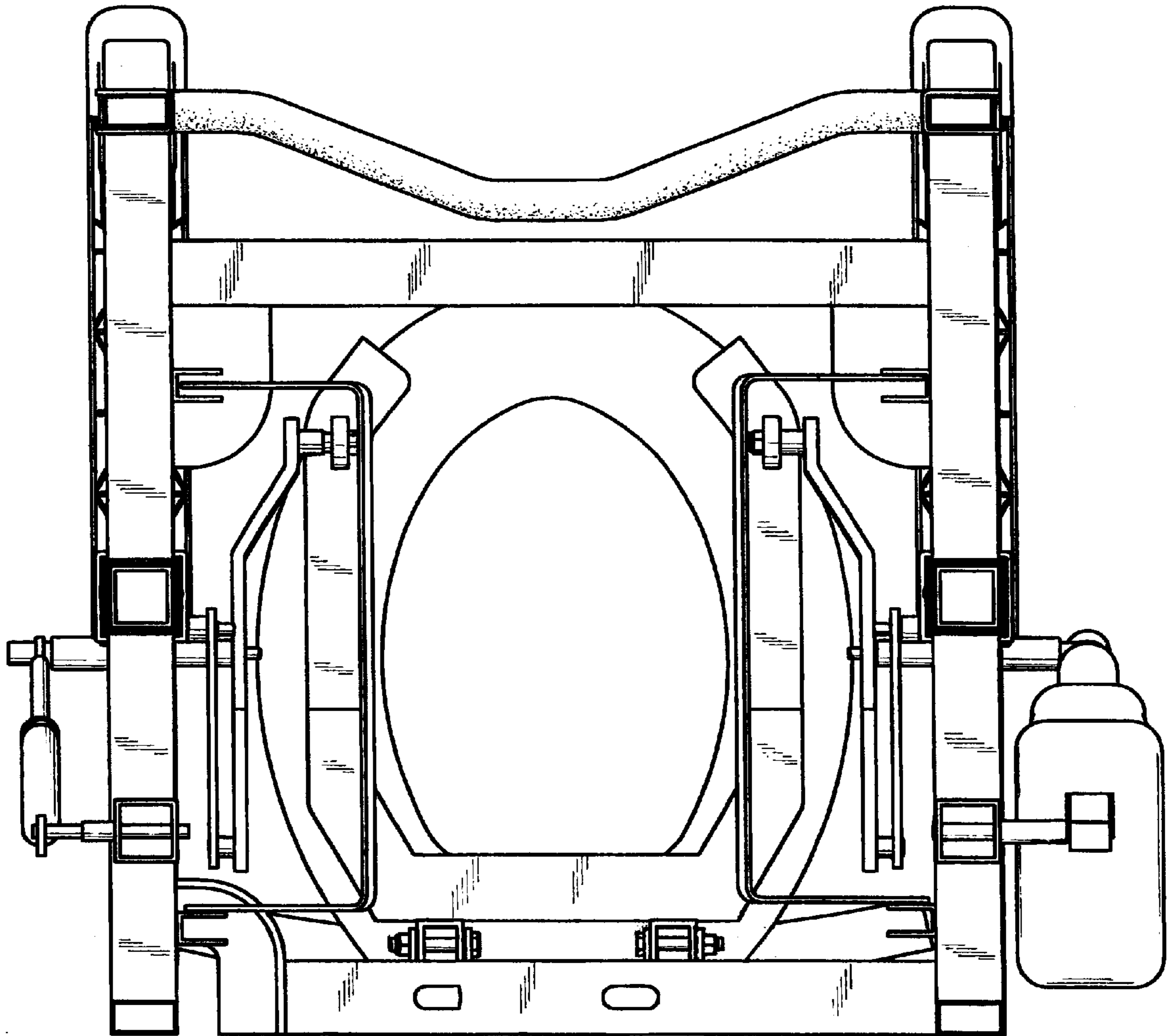


FIG. 7



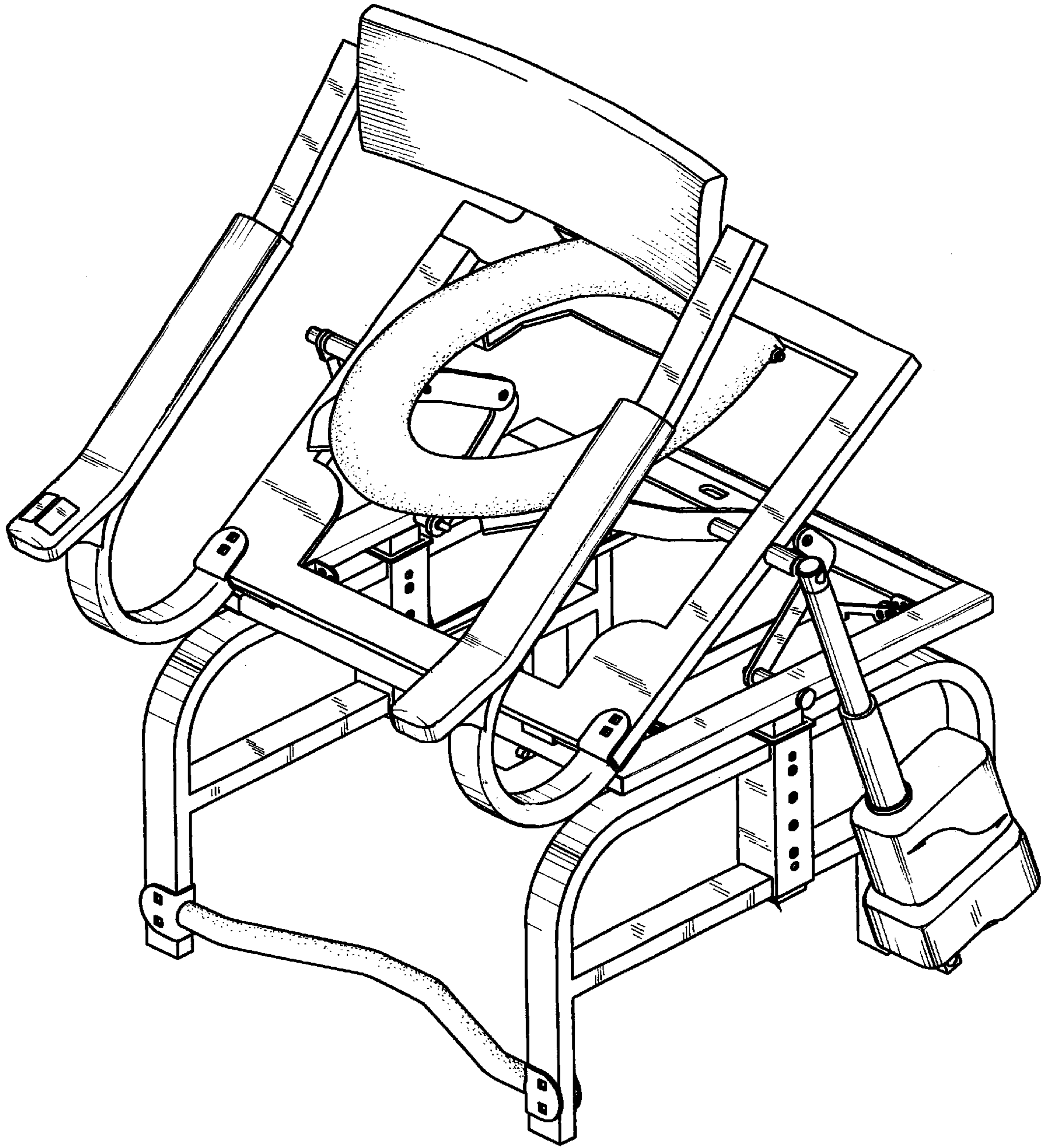


FIG. 8