



US00D482764S

(12) **United States Design Patent**
Genslak et al.

(10) **Patent No.:** **US D482,764 S**

(45) **Date of Patent:** **** Nov. 25, 2003**

(54) **SINK**

(75) Inventors: **Kristina J. Genslak**, Sheboygan, WI (US); **Raul M. Paredes**, Kohler, WI (US)

(73) Assignee: **Kohler Co.**, Kohler, WI (US)

(**) Term: **14 Years**

(21) Appl. No.: **29/158,371**

(22) Filed: **Apr. 3, 2002**

(51) **LOC (7) Cl.** **23-02**

(52) **U.S. Cl.** **D23/293.1**

(58) **Field of Search** D23/272-274,
D23/284-292, 293.1, 303, 308; 4/619-652,
654-661, 653

(56) **References Cited**

U.S. PATENT DOCUMENTS

108,538	A	*	10/1870	Walsh	4/653
233,674	A	*	10/1880	Hayes	4/652
265,635	A	*	10/1882	Raughtigan et al.	4/656 X
273,780	A	*	3/1883	Talpey	4/652
950,691	A	*	3/1910	Firth	4/646 X
5,284,170	A	*	2/1994	Larsen	4/654 X

OTHER PUBLICATIONS

Domestic Engineering, May, 1963: American Standard Plumbing and Heating Division advertisement, p. 112, stainless steel sink #4.*

Ingersoll-Humphryes division, Borg-Warner Corp., Mansfield, OH, catalog form No. 64-22: "Elmhurst" sink, I-5318 and "Manchester" sink, I-5320, 1964.*

Undated Polar catalog ad, p. 9, showing a Model 319-1 sink, admitted prior art.

2000 Kohler catalog ad, p. 16.58, showing an "Undertone" sink.

2000 Kohler catalog ad, p. 16.62, showing a "Ballard" sink. Undated Kallista catalog ad showing a "Monte Carlo" octagonal basin, admitted prior art.

* cited by examiner

Primary Examiner—Louis S. Zarfaz

Assistant Examiner—Robert A. Delehanty

(74) *Attorney, Agent, or Firm*—Quarles & Brady LLP

(57) **CLAIM**

The ornamental design for a sink, as shown and described.

DESCRIPTION

FIG. 1 is a left, top, front perspective view of a sink embodying our new design;

FIG. 2 is a top plan view thereof;

FIG. 3 is a front elevational view thereof;

FIG. 4 is a left side elevational view thereof, the right side elevational view being a mirror image of the left side shown;

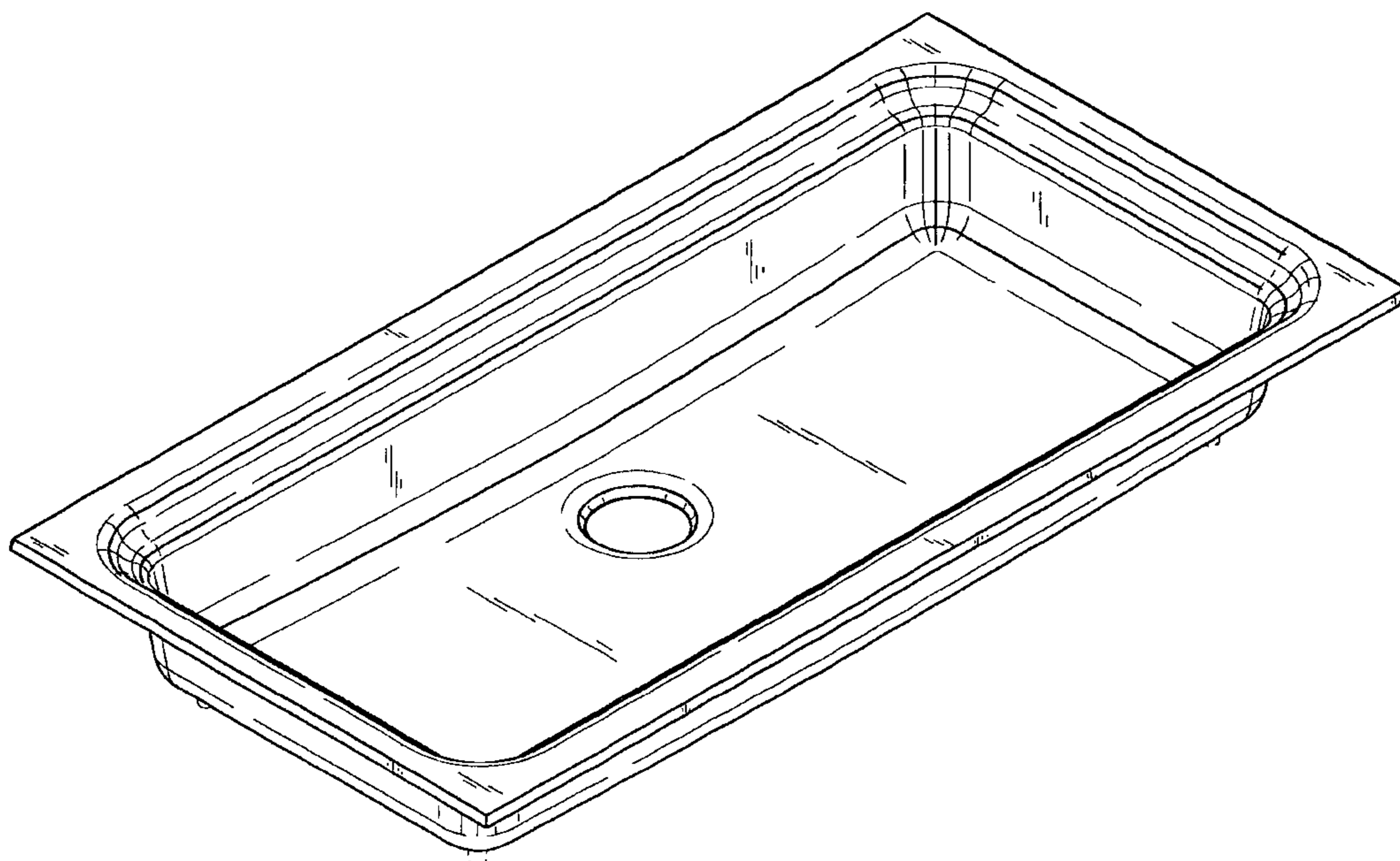
FIG. 5 is a rear elevational view thereof; and,

FIG. 6 is a bottom plan view thereof (which is shown for illustration only as this is normally not visible during use or marketing).

The characteristic feature of our claimed design resides in a plateau-like structure with smooth contoured edges surrounding an elongated basin near the top rim in which the plateau-like structure transitions between the horizontal top mounting surface and the walls of the basin.

The broken line representations of support structure in FIGS. 1 and 3-6 are for the purpose of illustration only, and form no part of the claimed design.

1 Claim, 4 Drawing Sheets



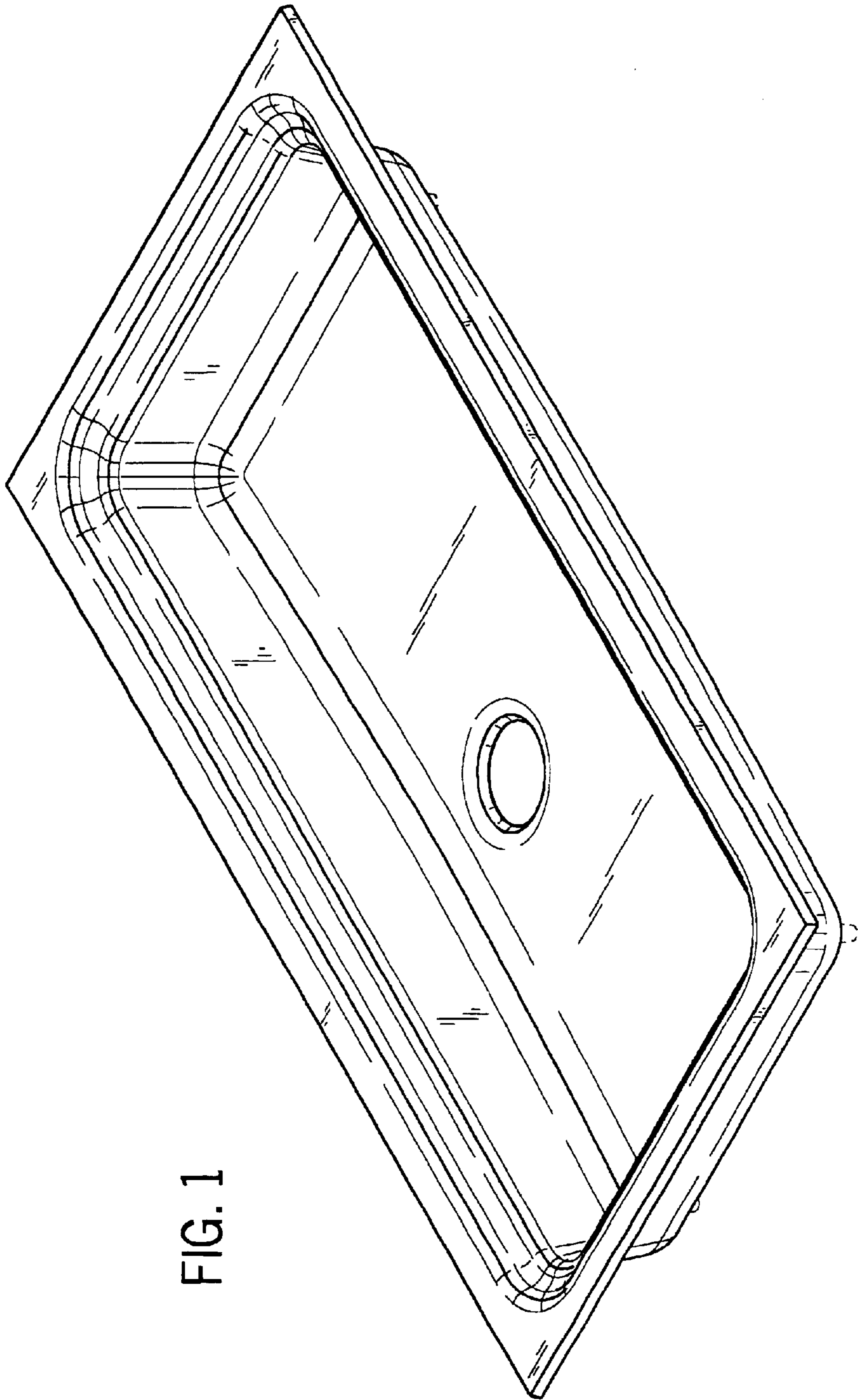


FIG. 1

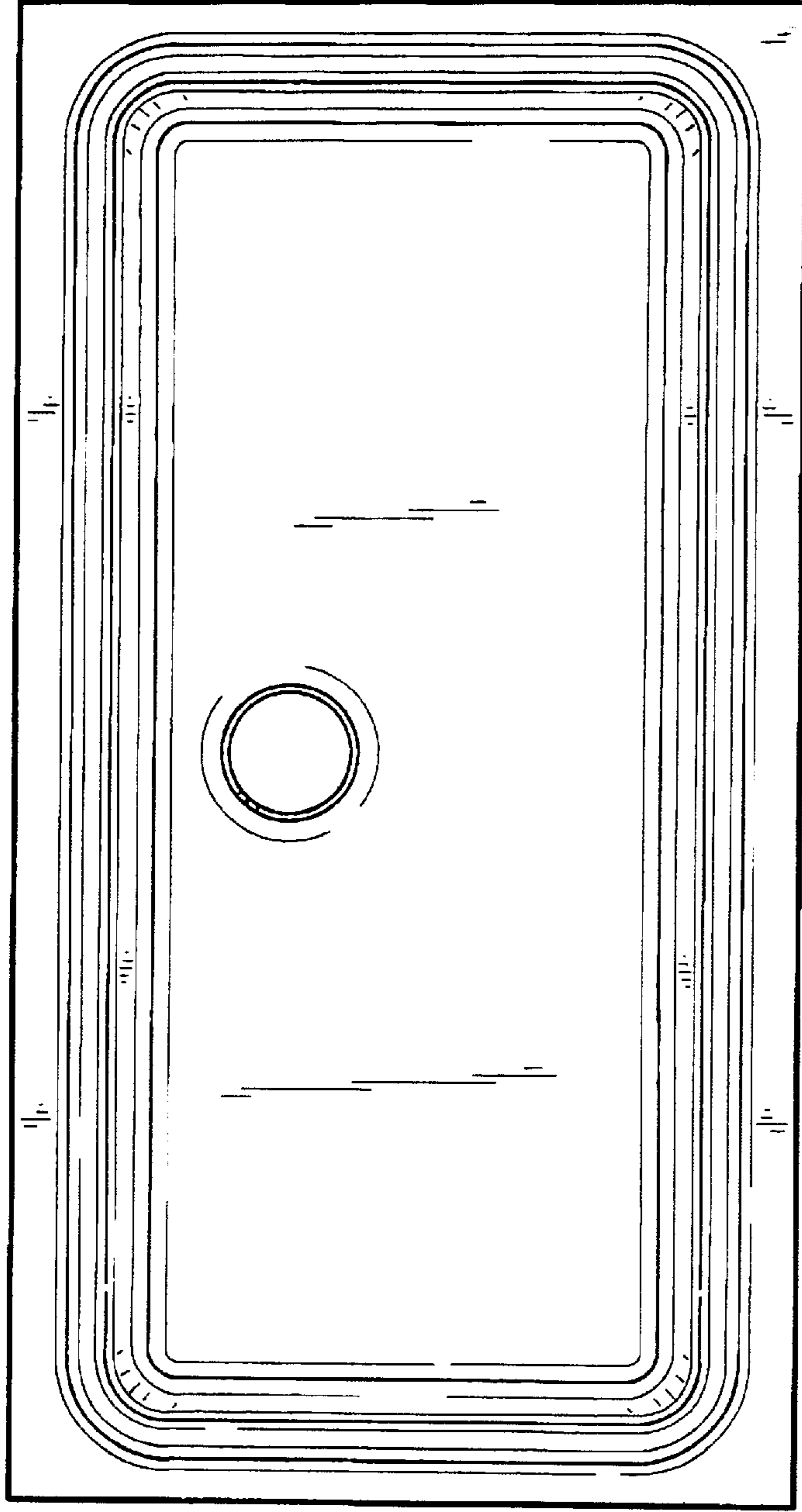


FIG. 2

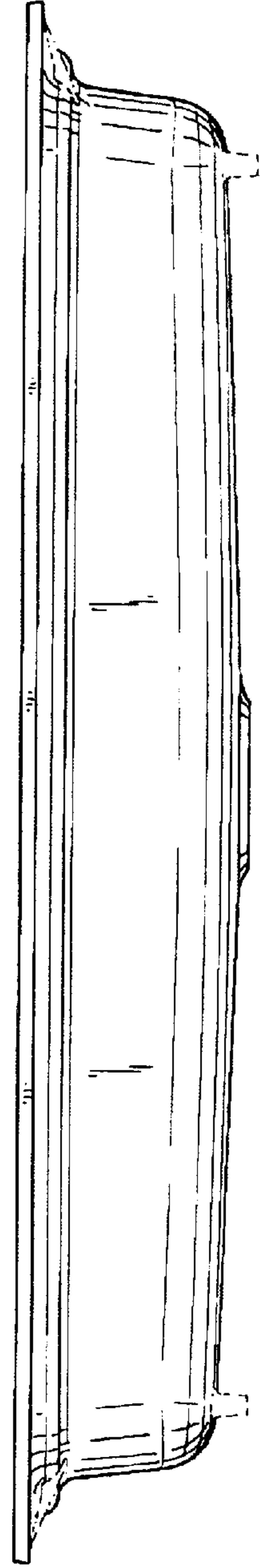


FIG. 3

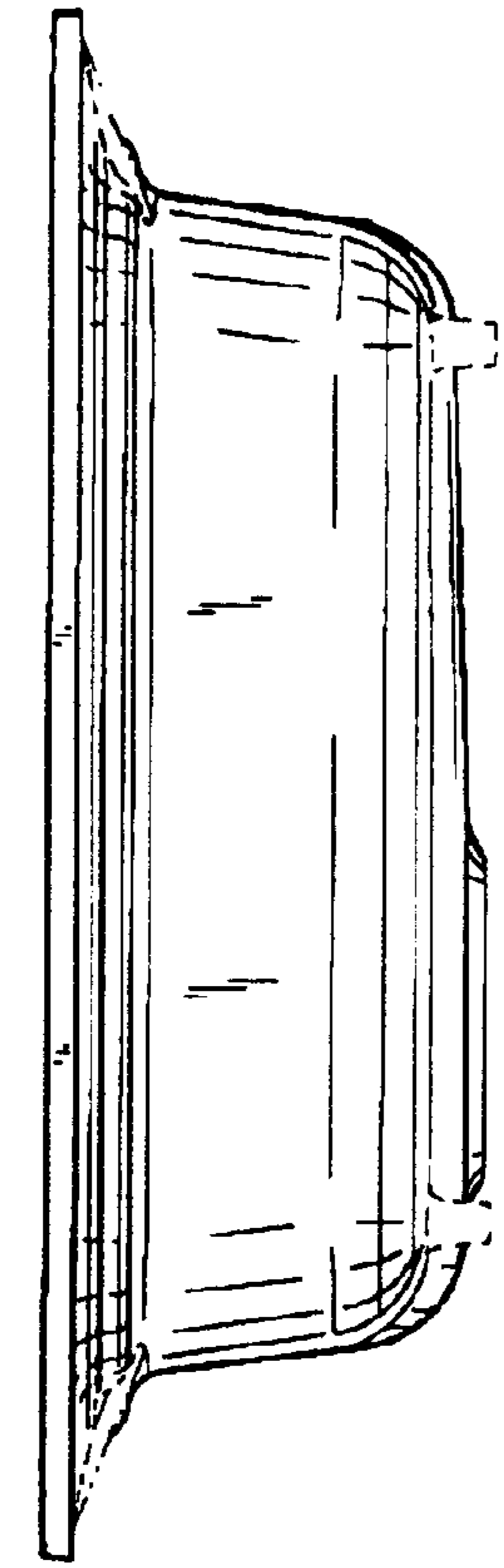


FIG. 4

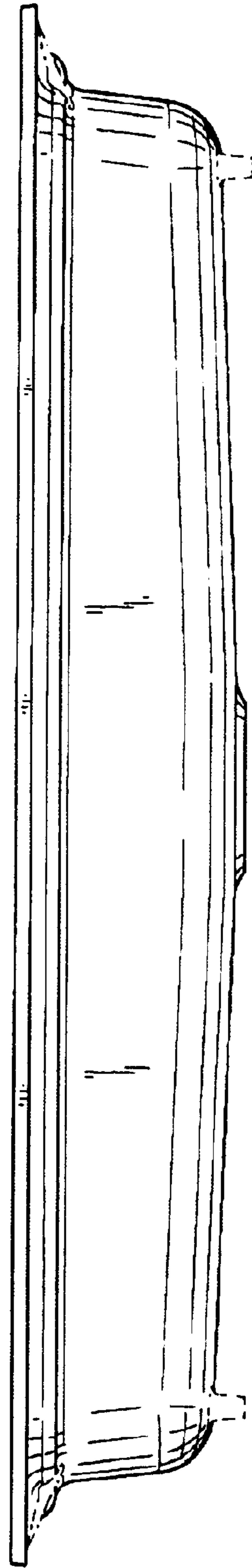


FIG. 5

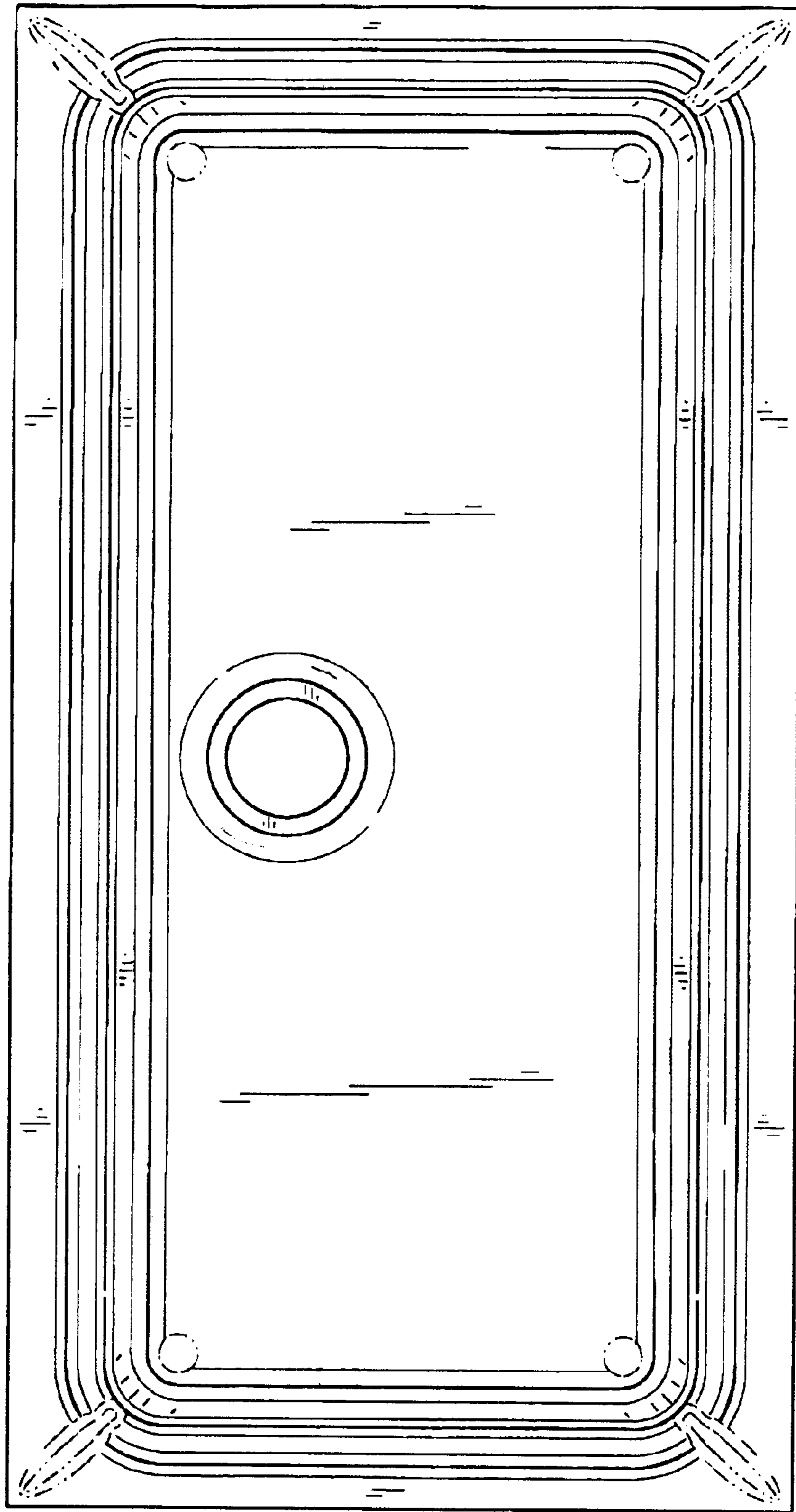


FIG. 6