



US00D482763S

(12) **United States Design Patent**
Thomas

(10) **Patent No.:** **US D482,763 S**

(45) **Date of Patent:** **** Nov. 25, 2003**

(54) **TUB FOR BATHING**

(75) Inventor: **Carter J. Thomas**, Cedarburg, WI (US)

(73) Assignee: **Kohler Co.**, Kohler, WI (US)

(**) Term: **14 Years**

(21) Appl. No.: **29/158,525**

(22) Filed: **Apr. 4, 2002**

(51) **LOC (7) Cl.** **23-02**

(52) **U.S. Cl.** **D23/280.1**

(58) **Field of Search** D23/273, 275,
D23/276, 277, 280.1, 280.2, 280.3, 303,
304; D24/204, 205; 4/538, 555-661

(56) **References Cited**

U.S. PATENT DOCUMENTS

D253,367 S	*	11/1979	Weaver	D23/280.1
D253,368 S	*	11/1979	Johansson	D23/280.2
5,477,568 A	*	12/1995	Wang	4/592
D434,837 S	*	12/2000	Thomas	D23/277

OTHER PUBLICATIONS

1996 Kohler catalog ad, p. 8-5, showing a "Tea-For-Two" 5ft bath.

1987 Kohler catalog ad, pp. 6-28 & 6-29, showing a "Repartee" whirlpool.

Undated Kaldewei catalog ad showing a bath, product # K-1390/92.

* cited by examiner

Primary Examiner—Louis S. Zarfaz

Assistant Examiner—Robert A. Delehanty

(74) *Attorney, Agent, or Firm*—Quarles & Brady LLP

(57) **CLAIM**

The ornamental design for a tub for bathing, as shown and described.

DESCRIPTION

In a preferred embodiment, the nature of this product is as a plumbing fixture primarily useful for washing the body of humans.

FIG. 1 is a right, top, front perspective view of a tub for bathing embodying my new design;

FIG. 2 is a top plan view thereof;

FIG. 3 is a front elevational view thereof;

FIG. 4 is a rear elevational view thereof;

FIG. 5 is a right side elevational view thereof;

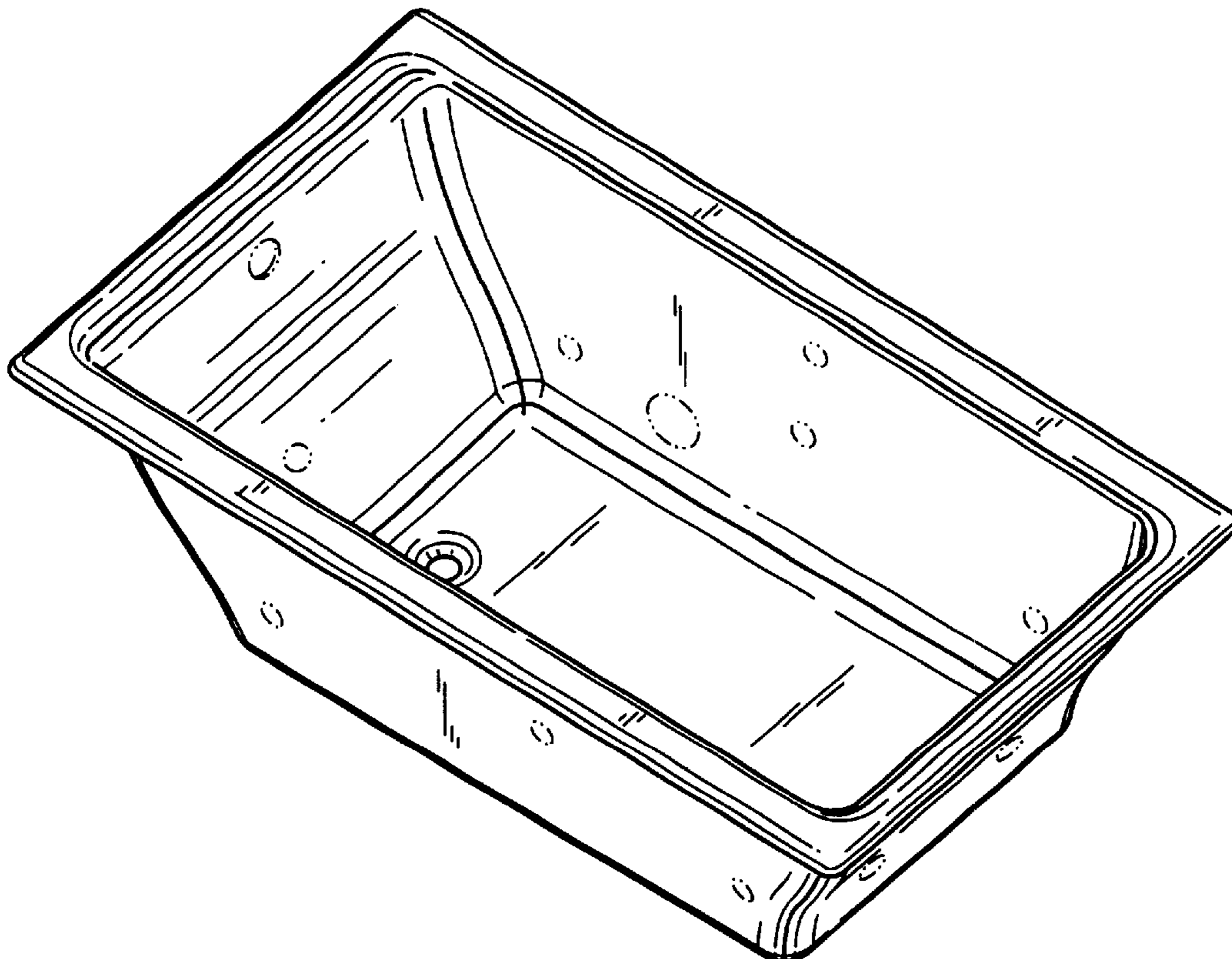
FIG. 6 is a left side elevational view thereof;

FIG. 7 is a cross-sectional view thereof taken along line 7-7 of FIG. 2; and,

FIG. 8 is a cross-sectional view thereof taken along line 8-8 of FIG. 2.

The broken line representations of holes in FIGS. 1-8 are for the purpose of illustration only, and form no part of the claimed design.

1 Claim, 3 Drawing Sheets



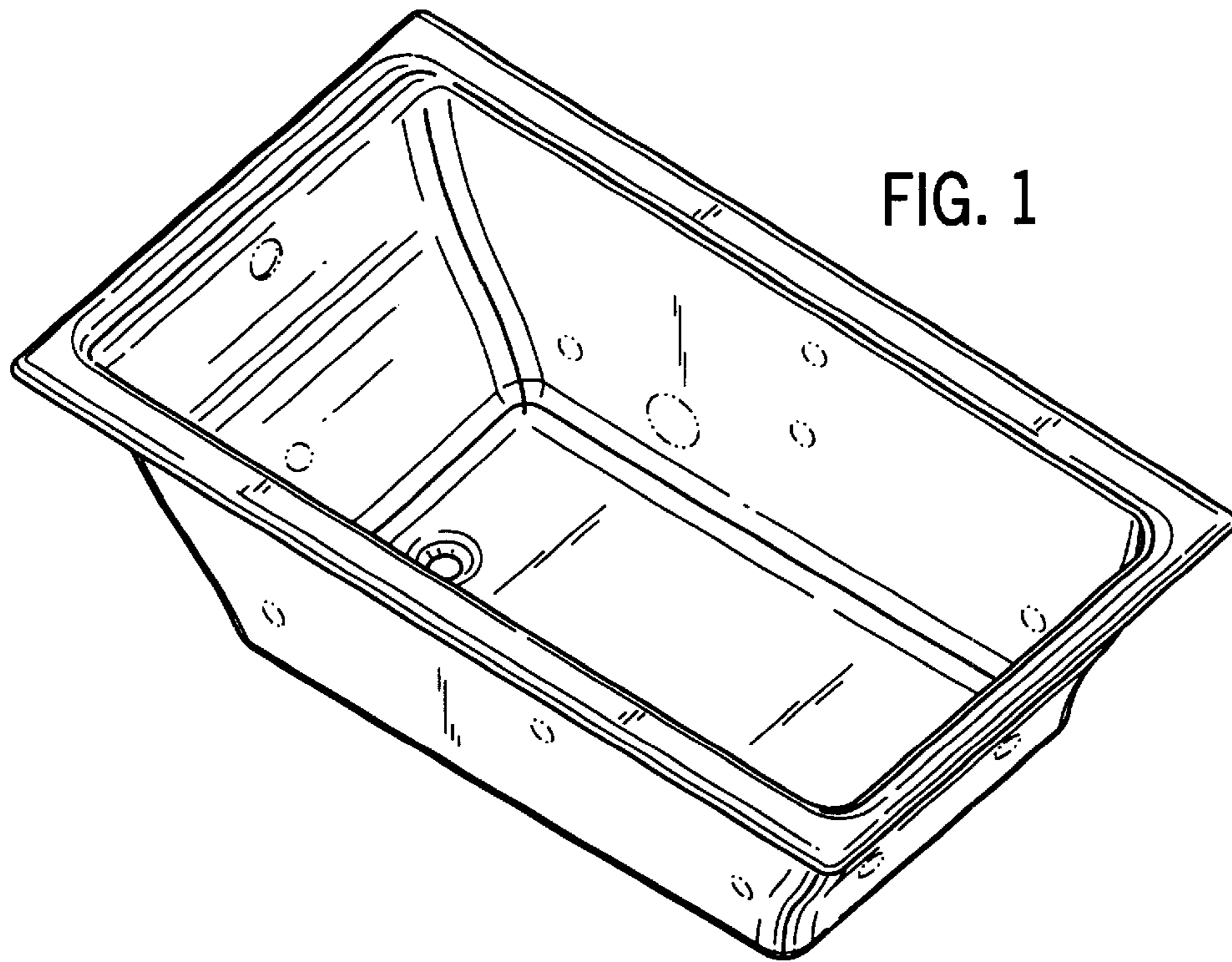


FIG. 2

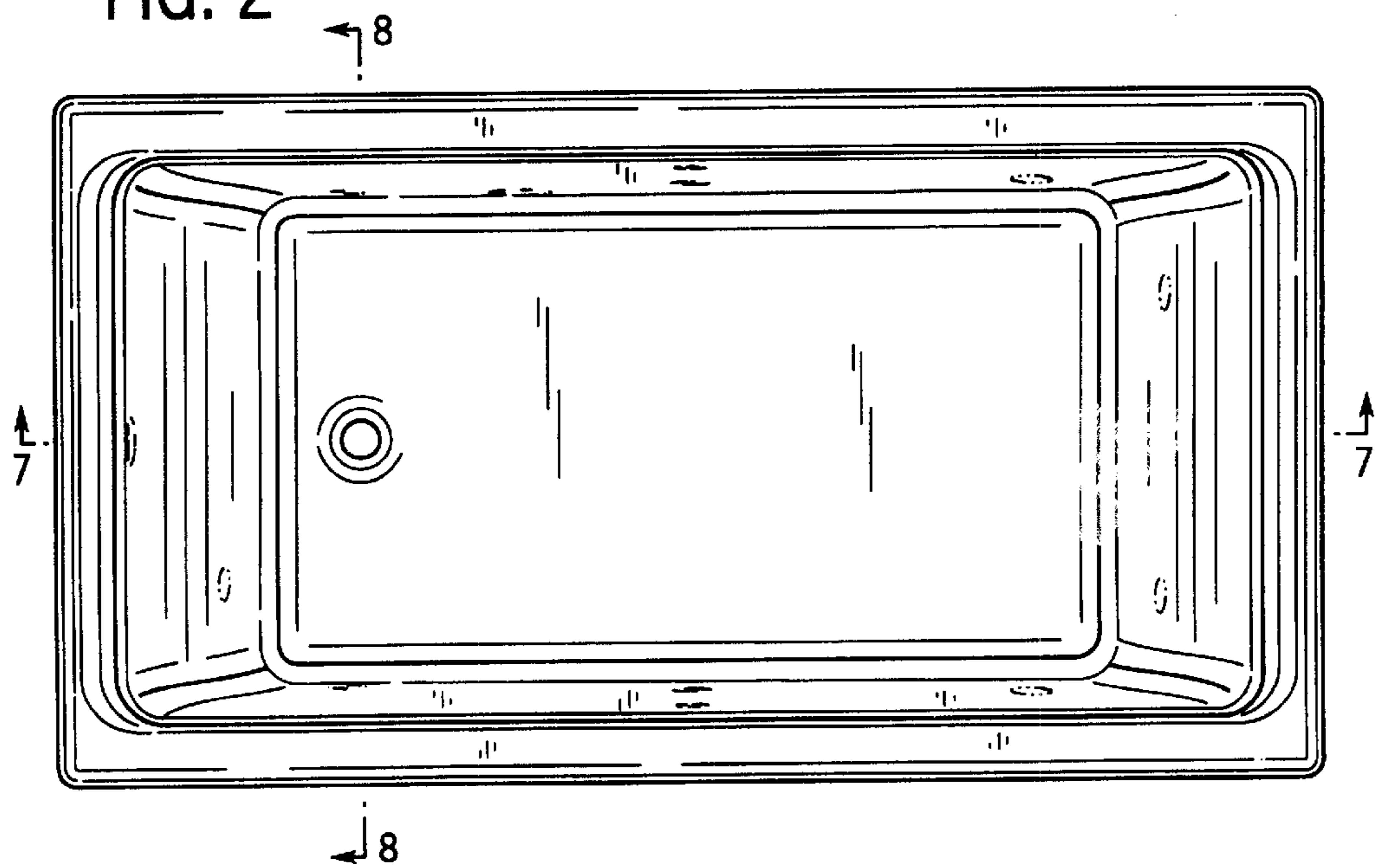


FIG. 3

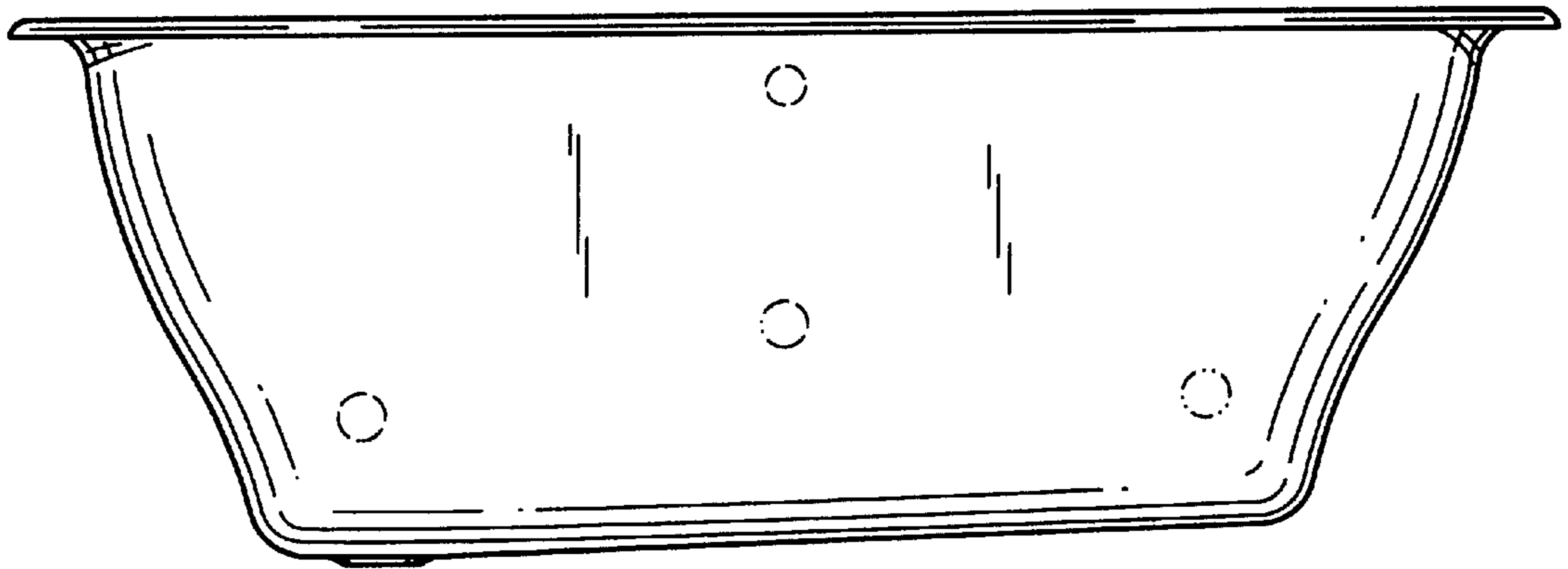


FIG. 4

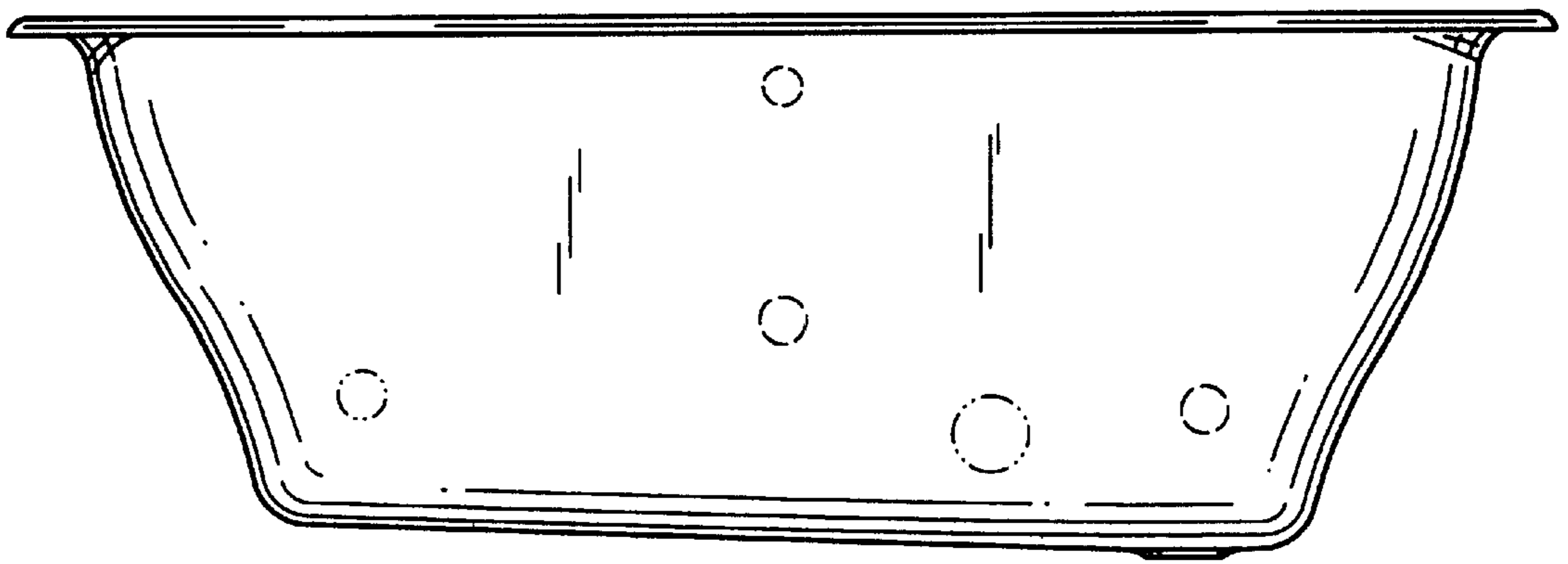


FIG. 5

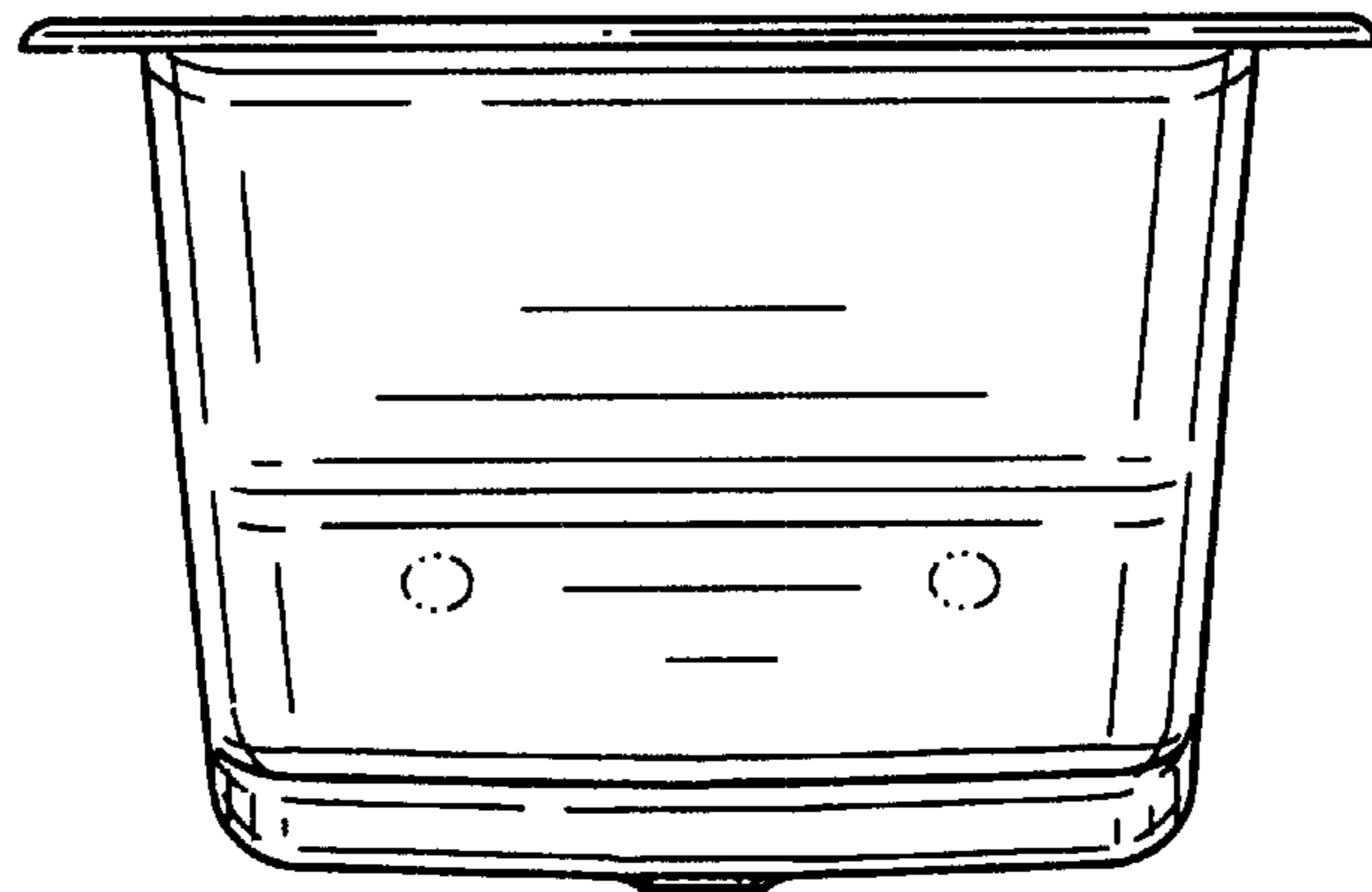


FIG. 6

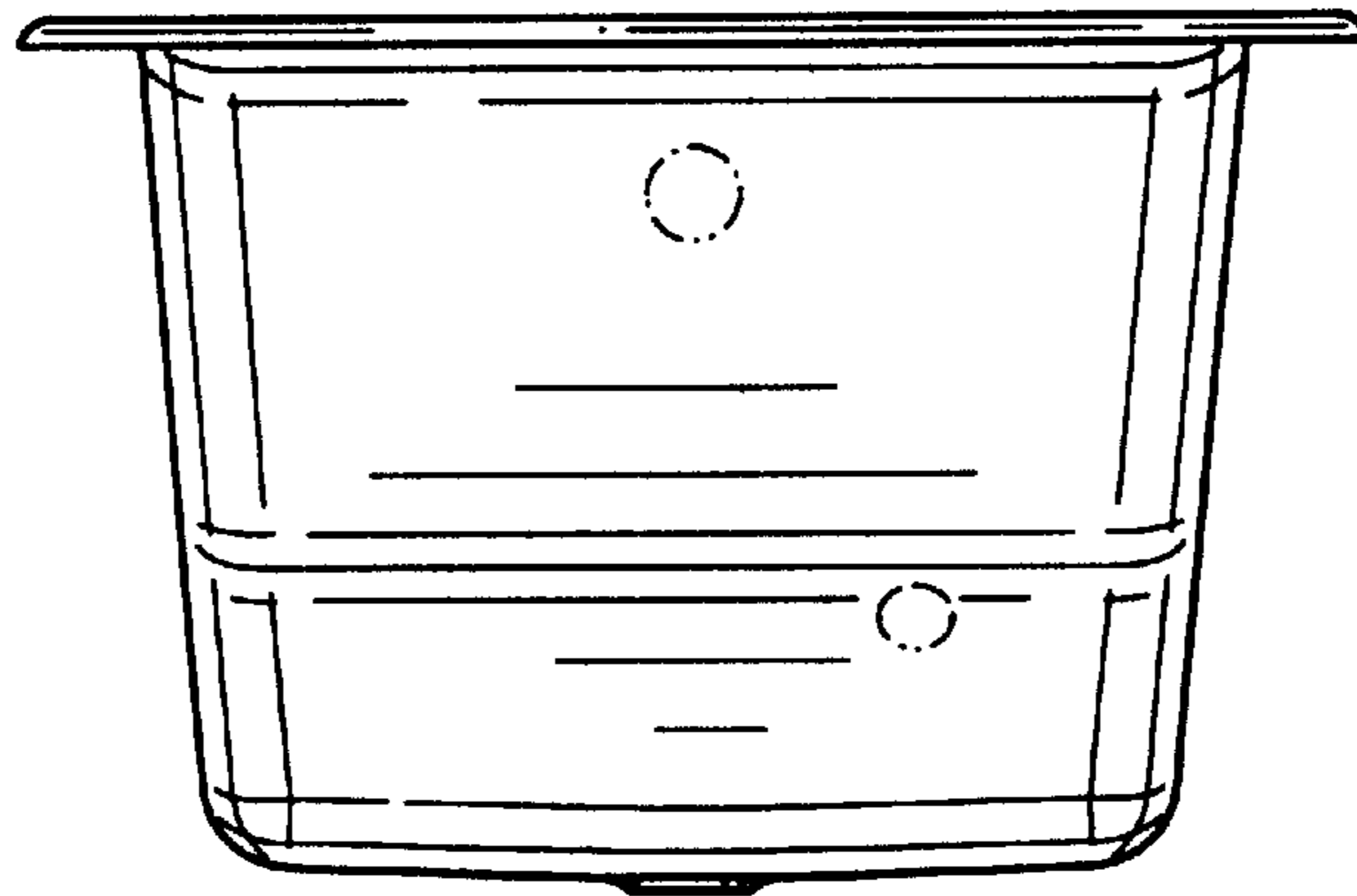


FIG. 7

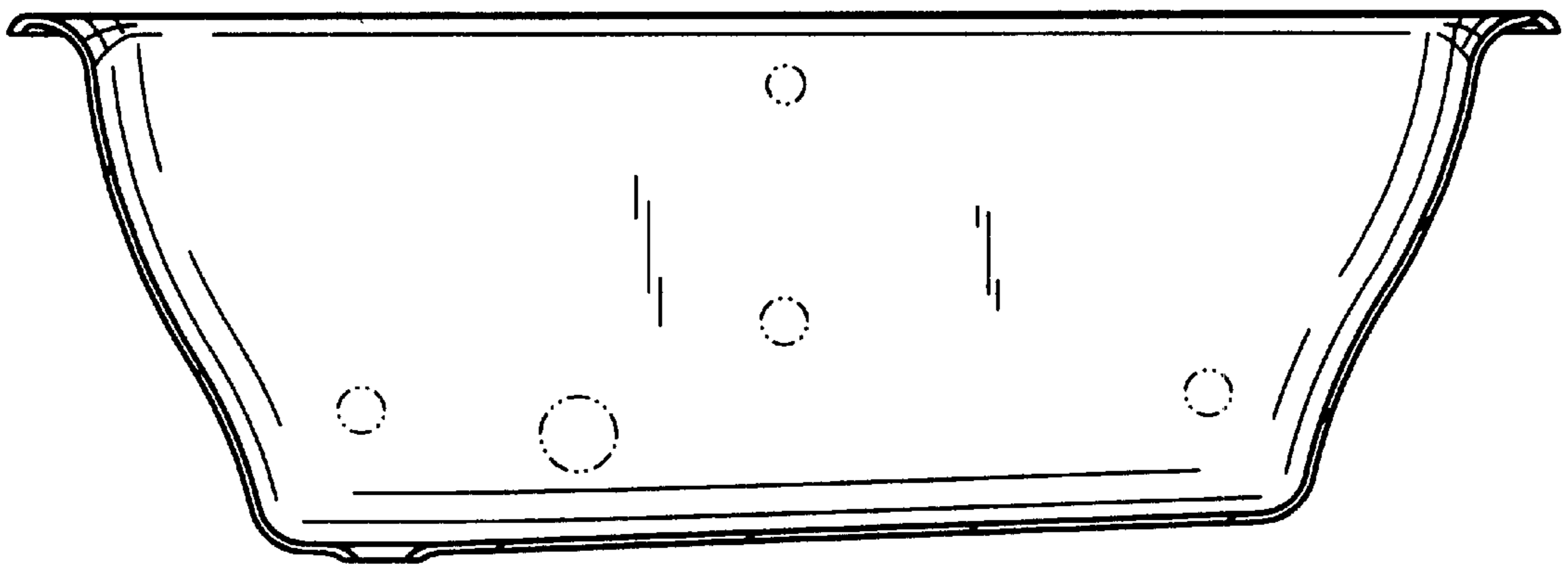


FIG. 8

