



US00D482761S

(12) **United States Design Patent**  
**Gotoh et al.**

(10) **Patent No.:** **US D482,761 S**

(45) **Date of Patent:** **\*\* Nov. 25, 2003**

(54) **PIPE COUPLING PLUG**

D434,834 S 12/2000 Goto  
D442,267 S \* 5/2001 Kouda ..... D23/262  
D463,537 S \* 9/2002 Kozu et al. .... D23/262

(75) Inventors: **Kunihiko Gotoh**, Tokyo (JP); **Hiroyuki Kitagawa**, Tokyo (JP)

**OTHER PUBLICATIONS**

(73) Assignee: **Nitto Kohki Co., Ltd.**, Tokyo (JP)

Copending U.S. Design Application "Pipe Coupling Socket" by Kunihiko Gotoh and Hiroyuki Kitagawa, filed Dec. 17, 2002.

(\*\*) Term: **14 Years**

\* cited by examiner

(21) Appl. No.: **29/172,679**

(22) Filed: **Dec. 17, 2002**

*Primary Examiner*—Robin V. Taylor  
(74) *Attorney, Agent, or Firm*—Wenderoth, Lind & Ponack, L.L.P.

(30) **Foreign Application Priority Data**

Jul. 25, 2002 (JP) ..... 2002-019895

(51) **LOC (7) Cl.** ..... **23-01**

(52) **U.S. Cl.** ..... **D23/262; D23/260; D23/233**

(58) **Field of Search** ..... D23/259, 260,  
D23/262, 235, 233; 288/316, 275, 277;  
251/149.1, 150

(57) **CLAIM**

The ornamental design for pipe coupling plug, as shown and described.

(56) **References Cited**

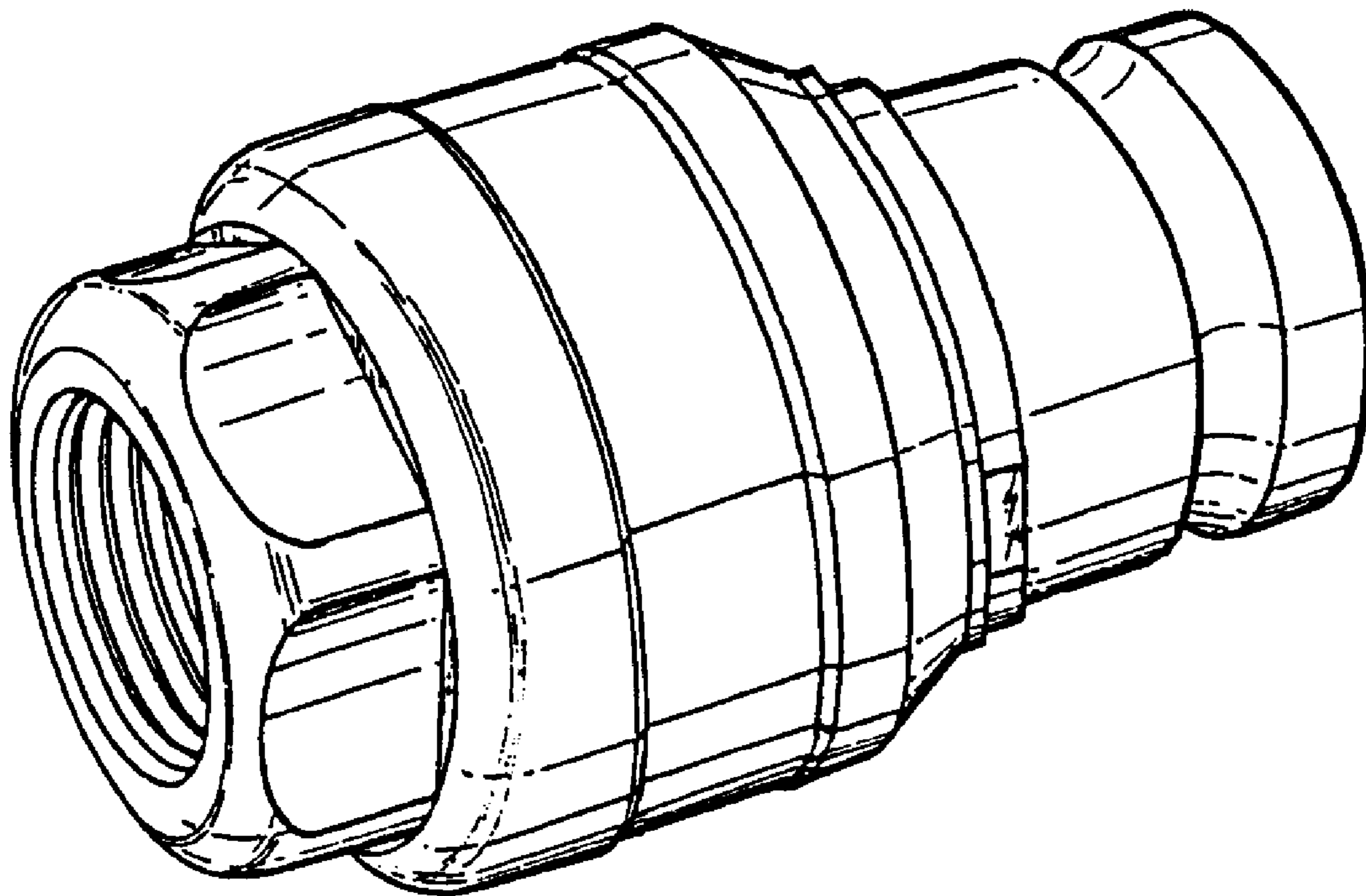
**U.S. PATENT DOCUMENTS**

D229,416 S \* 11/1973 Luckenbill et al. .... D23/262  
D313,067 S 12/1990 Kotake et al.  
D329,495 S 9/1992 Kotake  
D333,179 S 2/1993 Mikiya et al.  
D359,797 S 6/1995 Saito  
5,855,227 A 1/1999 Stucchi  
D406,881 S \* 3/1999 Kuwabara ..... D23/262

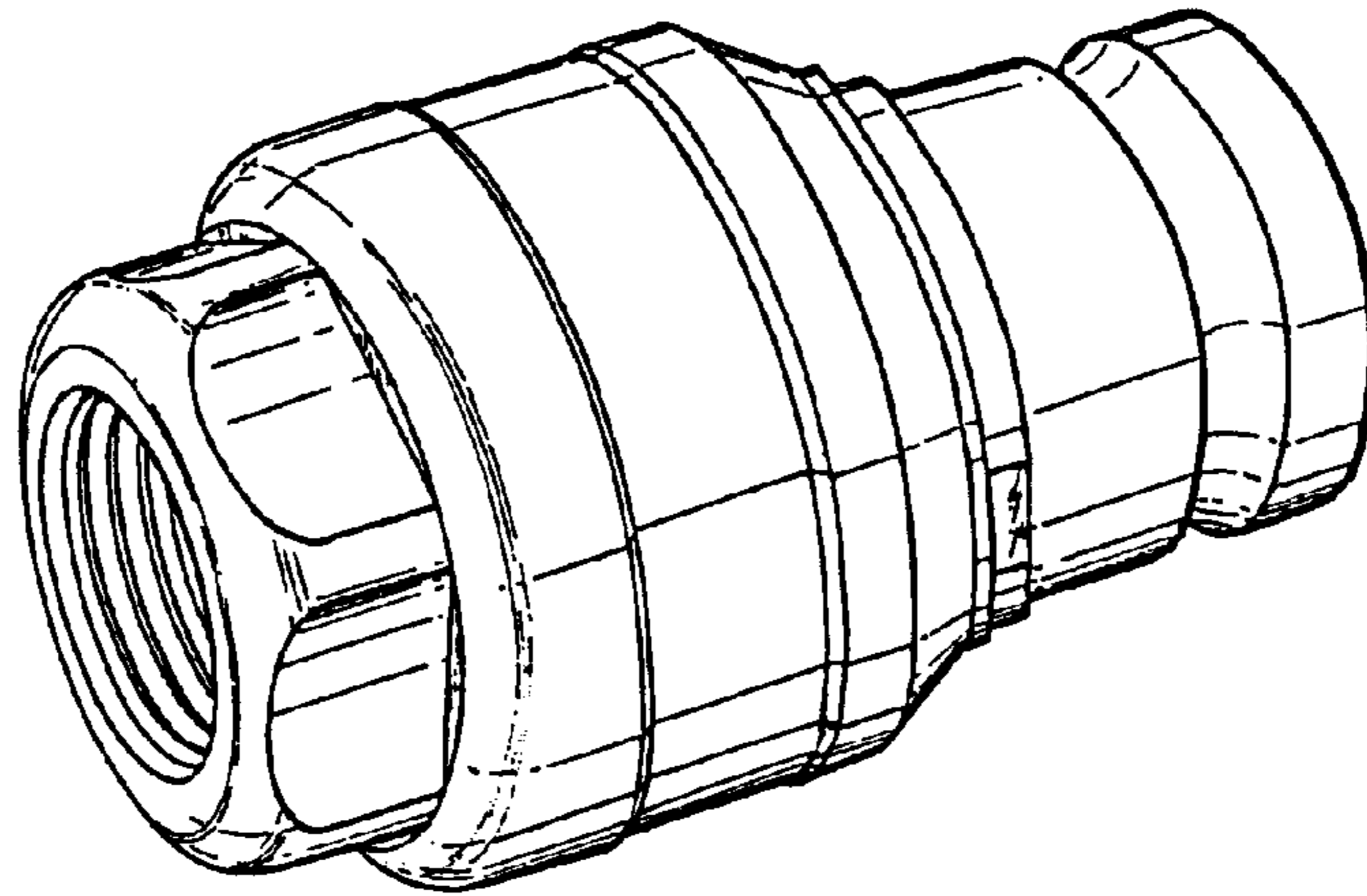
**DESCRIPTION**

FIG. 1 is a perspective view taken from the top, front and left side of a pipe coupling socket showing our new design; FIG. 2 is a front elevational view thereof, the rear being a mirror image of the front; FIG. 3 is a top plan view thereof, the bottom being a mirror image of the top; FIG. 4 is a left side elevational view thereof; and, FIG. 5 is a right side elevational view thereof.

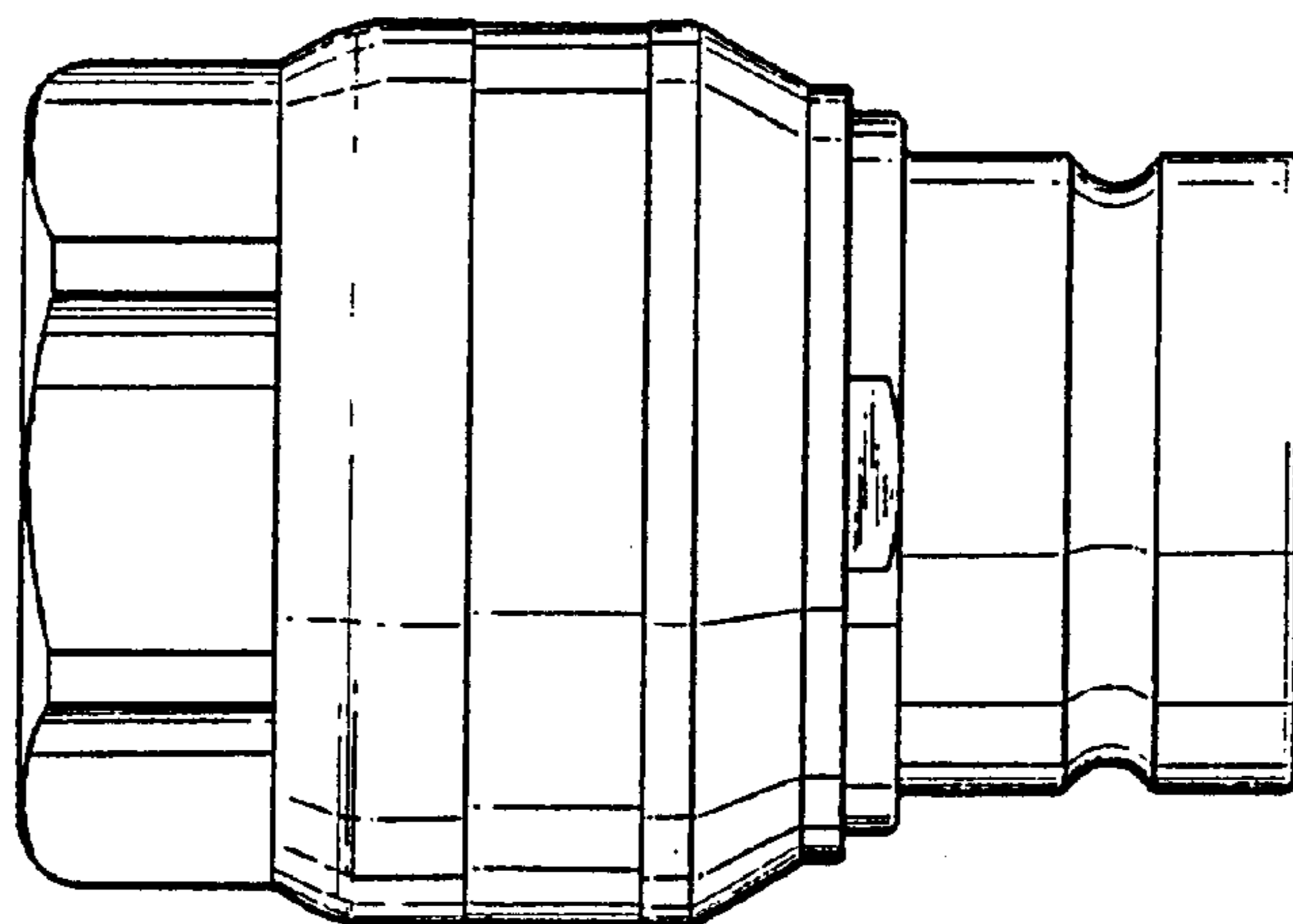
**1 Claim, 2 Drawing Sheets**



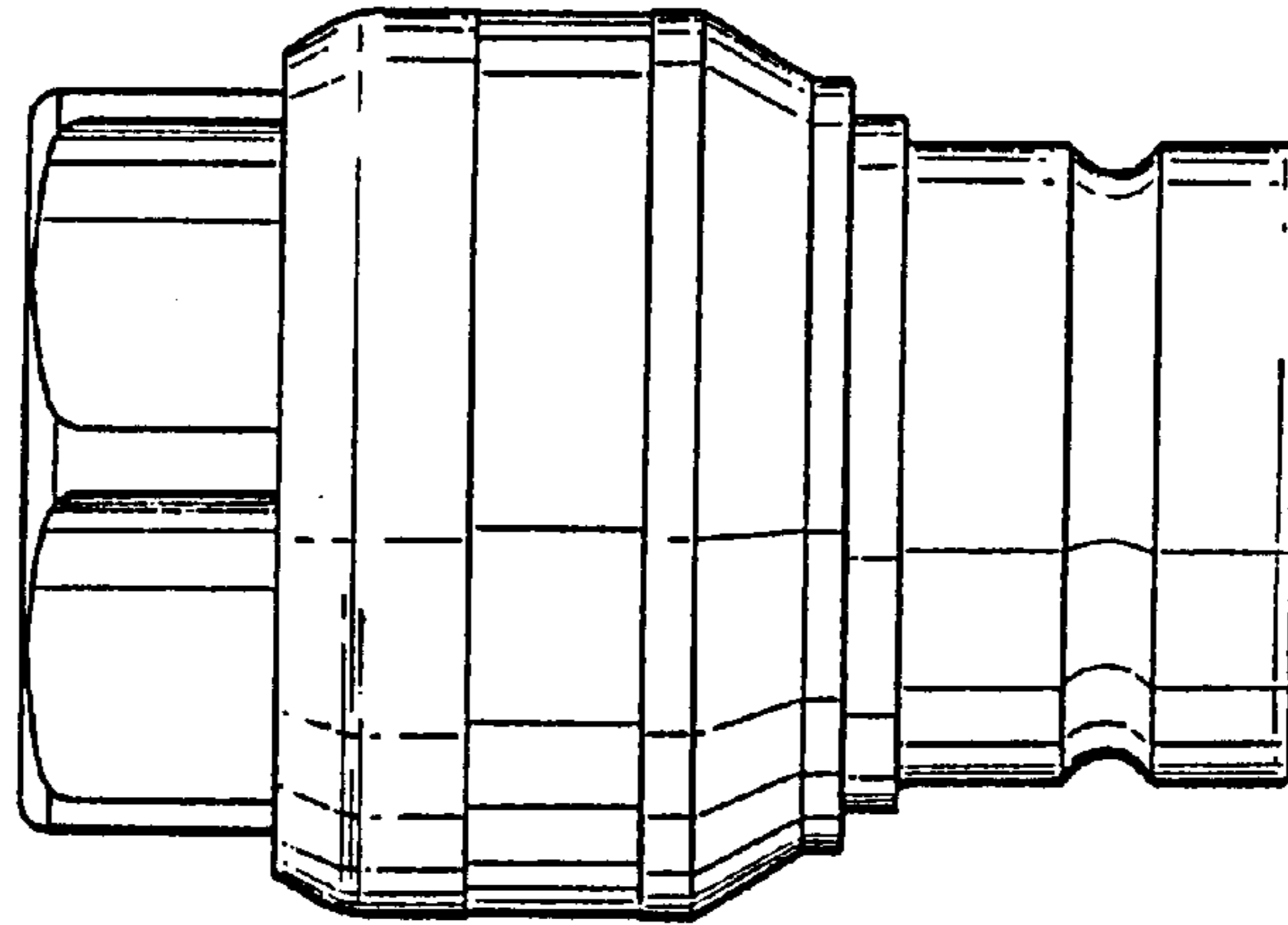
*FIG. 1*



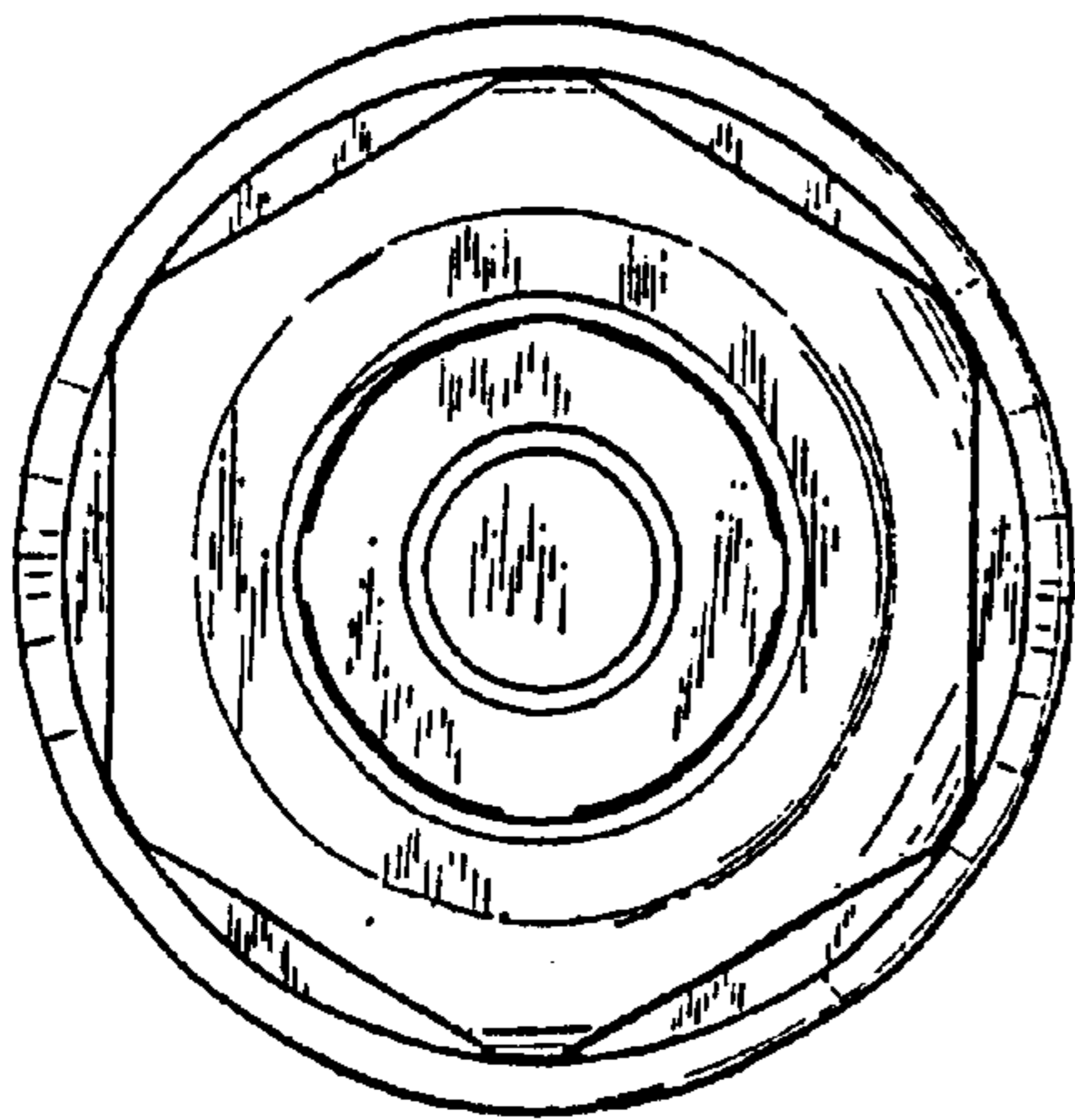
*FIG. 2*



*FIG. 3*



*FIG. 4*



*FIG. 5*

