



US00D482760S

(12) **United States Design Patent**
Fraser et al.

(10) **Patent No.:** **US D482,760 S**

(45) **Date of Patent:** **** Nov. 25, 2003**

(54) **FAUCET HANDLE**

(75) Inventors: **Simon Fraser**, Wellington (NZ);
Ferdinand Alexander Porsche, Gries
(AT); **Christian Schwamkrug**, Zell am
See (AT)

(73) Assignee: **Friedrich Grohe AG & Co. KG**,
Hemer (DE)

(**) Term: **14 Years**

(21) Appl. No.: **29/179,506**

(22) Filed: **Apr. 10, 2003**

(30) **Foreign Application Priority Data**

Nov. 15, 2002 (DE) 4 02 09 502

(51) **LOC (7) Cl.** **23-01**

(52) **U.S. Cl.** **D23/252**

(58) **Field of Search** D23/238-243,
D23/245, 250-257; D8/300-322, 350-353,
DIG. 3; 16/110.1; 4/675-678; 137/801

(56) **References Cited**

U.S. PATENT DOCUMENTS

D175,819 S * 10/1955 Young D23/252

D290,496 S * 6/1987 Ryan D23/252
D390,921 S * 2/1998 Steffes et al. D23/250
D449,214 S * 10/2001 Yeh D23/250

* cited by examiner

Primary Examiner—Louis S. Zarfes
Assistant Examiner—Gregory Andoll
(74) *Attorney, Agent, or Firm*—Herbert Dubno

(57) **CLAIM**

The ornamental design for a faucet handle, as shown and described.

DESCRIPTION

FIG. 1 is a top, front, left-side perspective view of a faucet handle showing our new design;

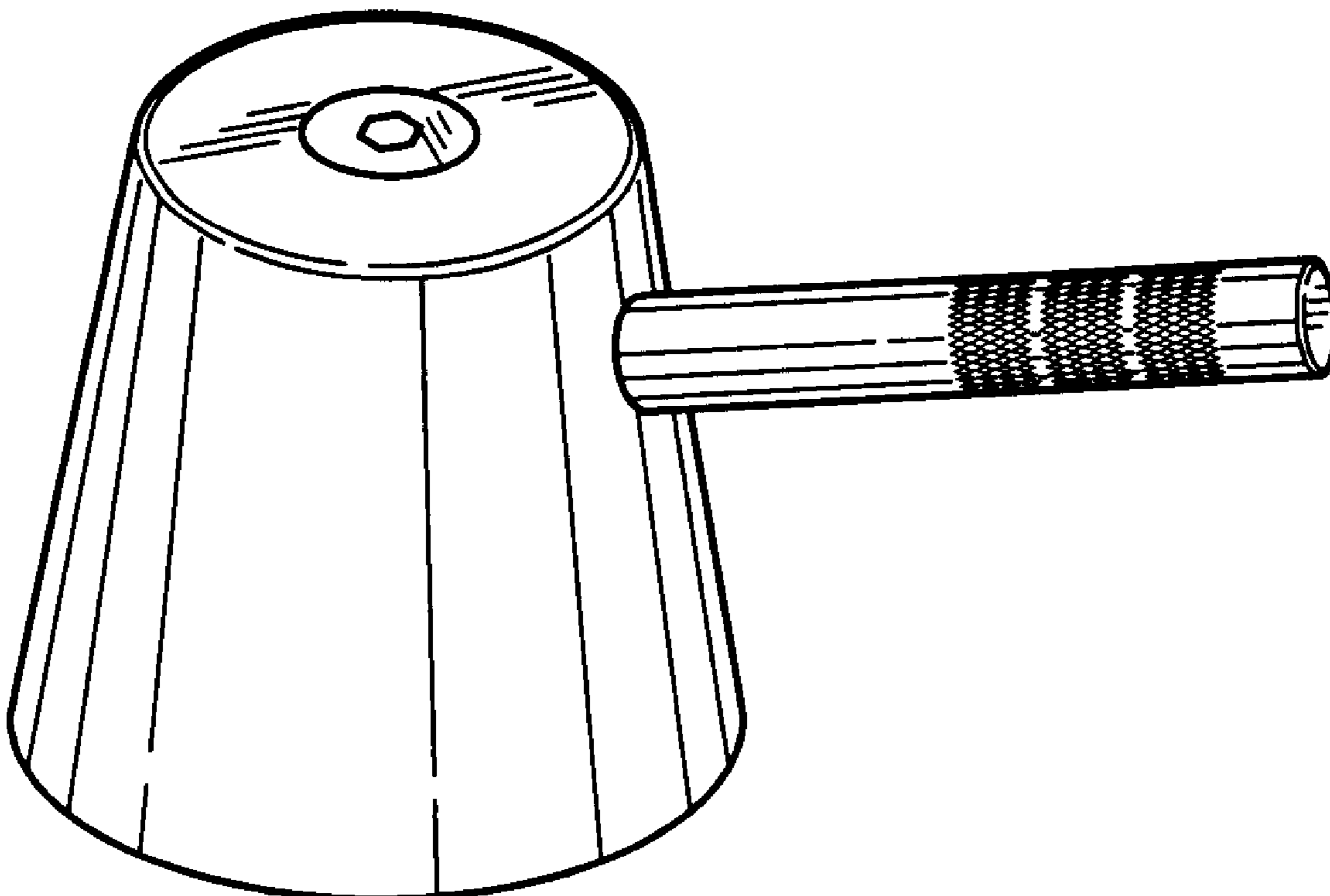
FIG. 2 is a top plan view thereof;

FIG. 3 is a front elevational thereof;

FIG. 4 is a right side elevational view thereof, the left side elevational view being mirror symmetrical thereto; and,

FIG. 5 is a rear elevational view thereof.

1 Claim, 1 Drawing Sheet



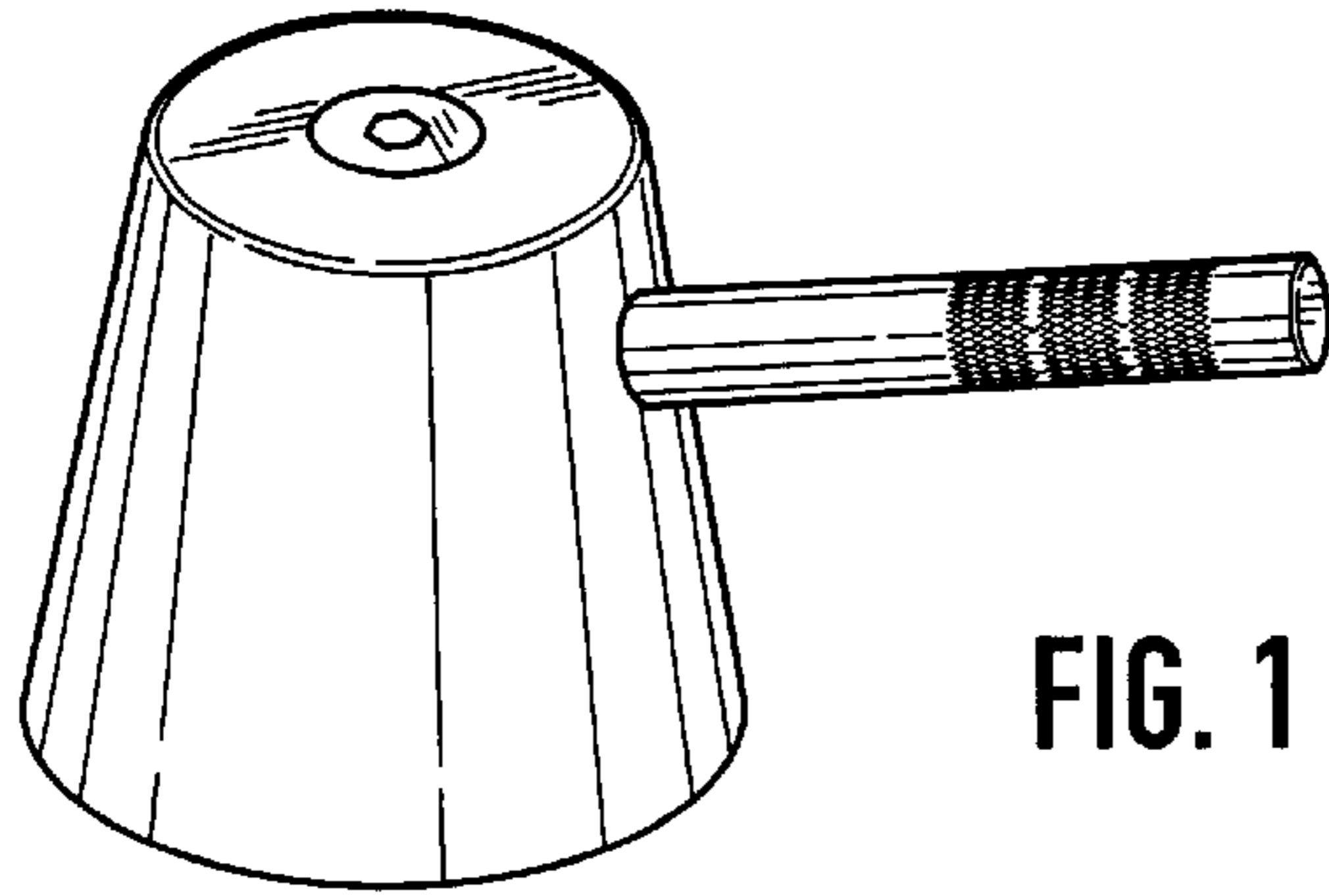


FIG. 1

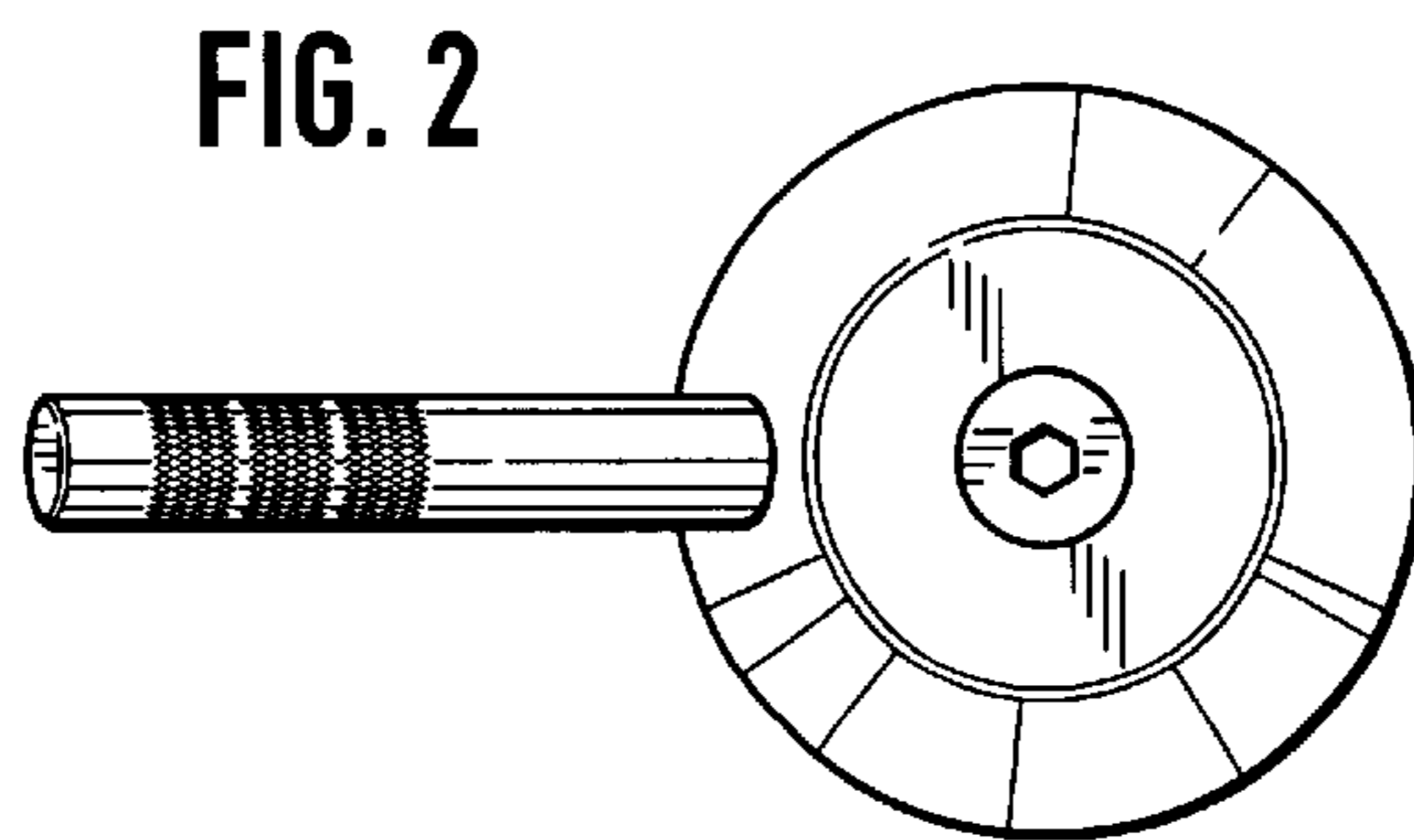


FIG. 2

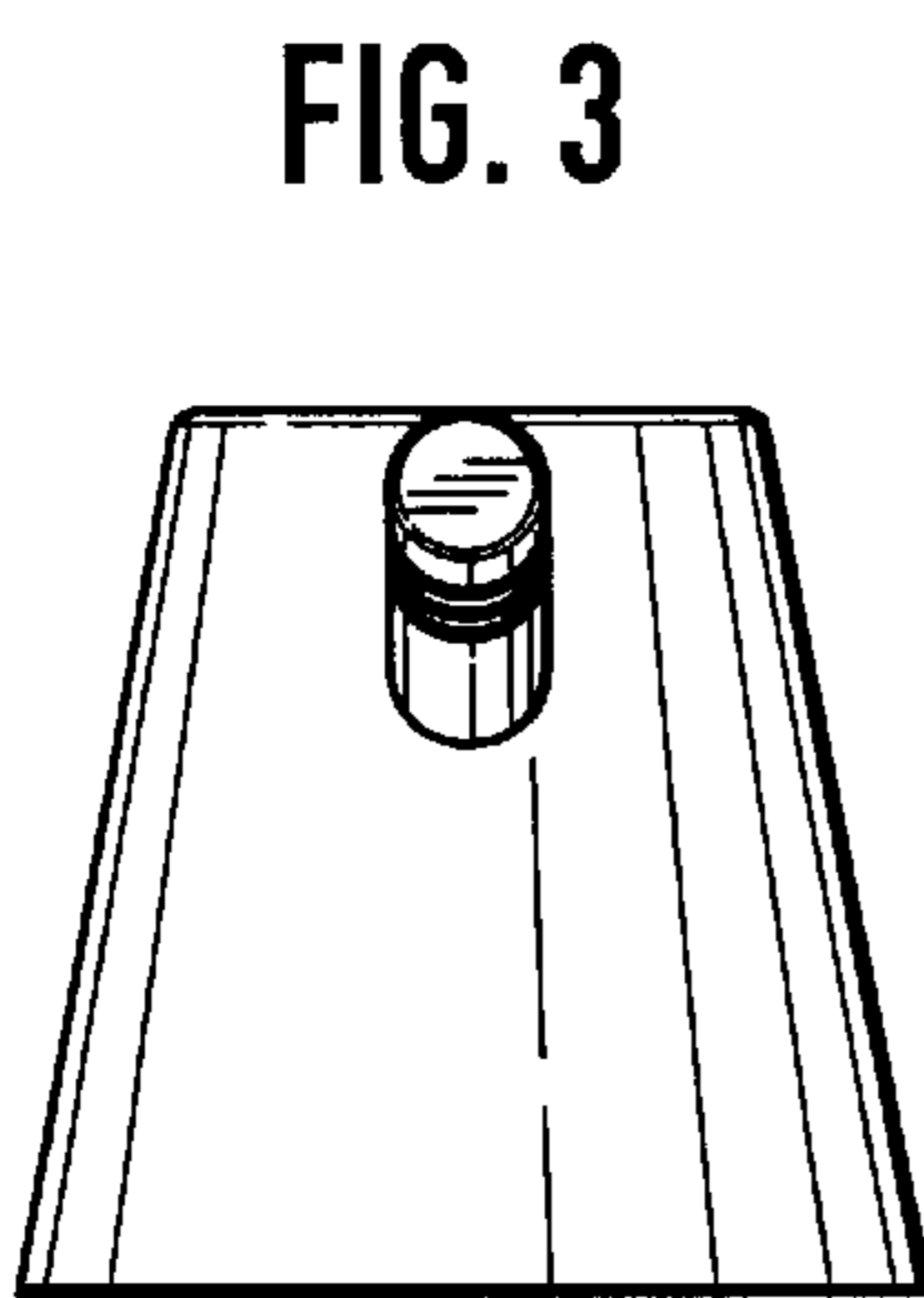


FIG. 3

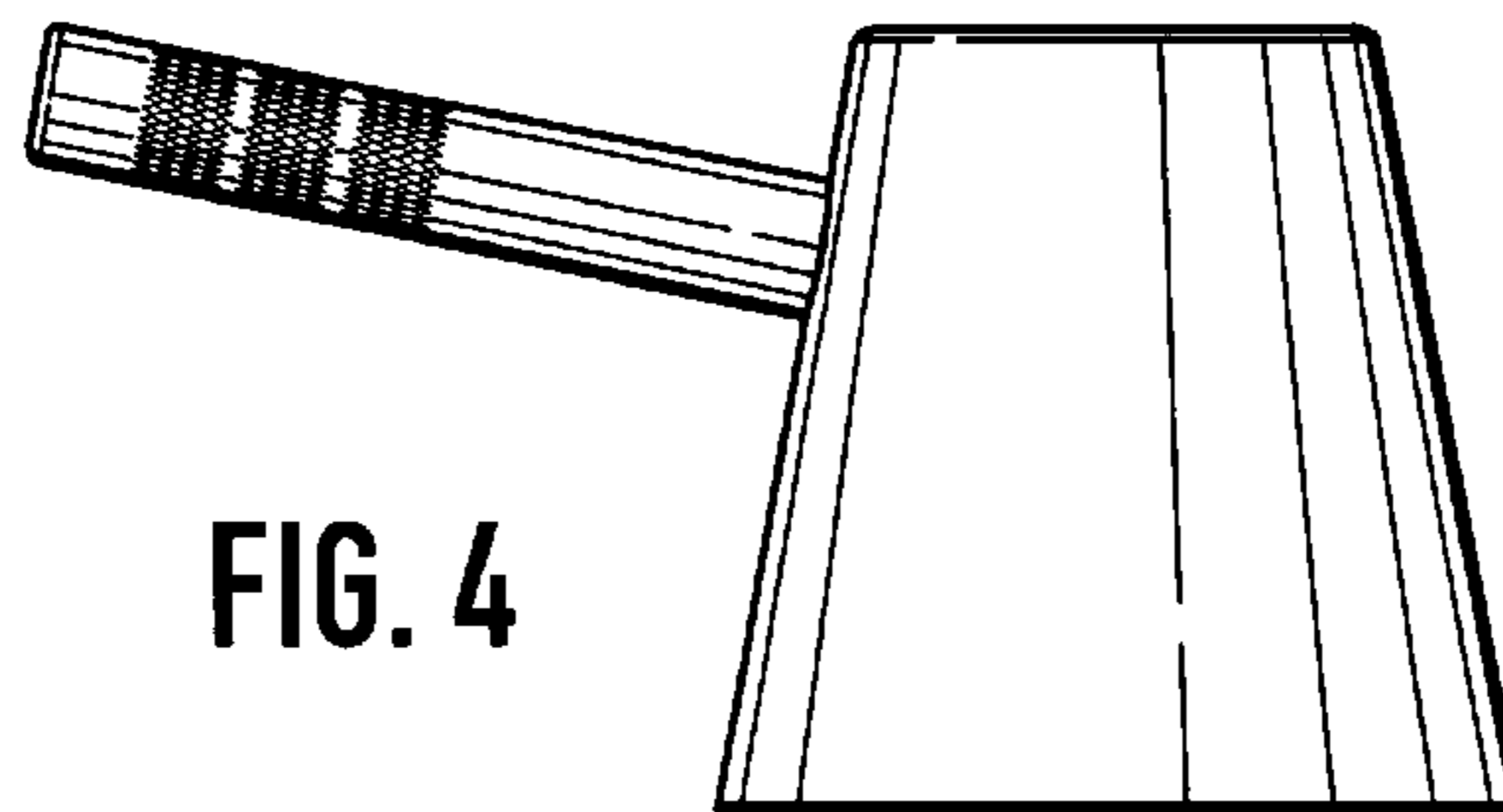


FIG. 4

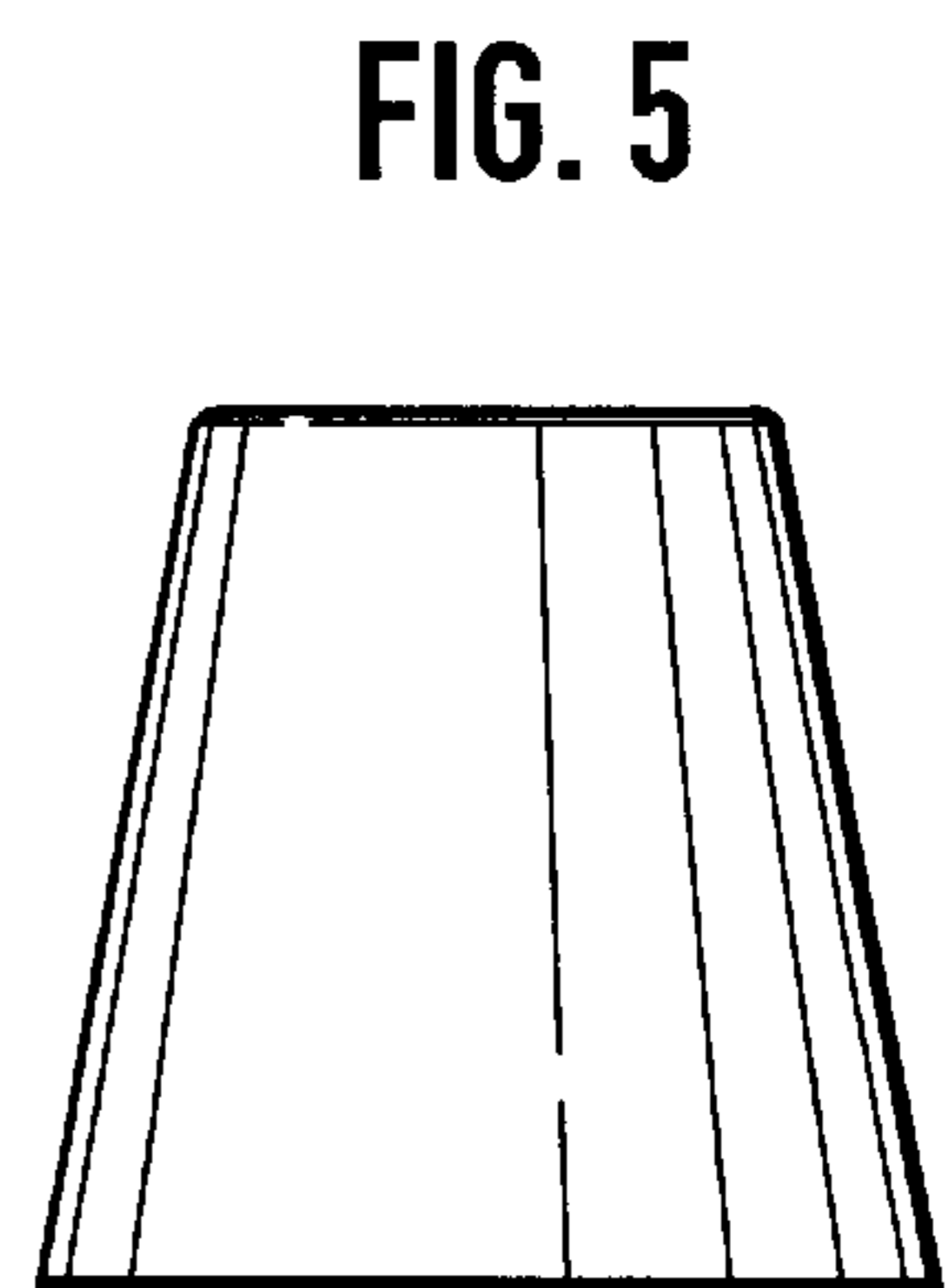


FIG. 5