



US00D482758S

(12) **United States Design Patent**
Bates et al.

(10) **Patent No.:** **US D482,758 S**

(45) **Date of Patent:** **** Nov. 25, 2003**

(54) **HANDLE**

D471,964 S * 3/2003 Bates et al. D23/252

(75) Inventors: **Michael R. Bates**, Sheboygan, WI
(US); **Raul M. Paredes**, Kohler, WI
(US)

(73) Assignee: **Kohler Co.**, Kohler, WI (US)

(**) Term: **14 Years**

(21) Appl. No.: **29/174,902**

(22) Filed: **Jan. 27, 2003**

Related U.S. Application Data

(62) Division of application No. 29/154,796, filed on Jan. 29, 2002, now Pat. No. Des. 471,964.

(51) **LOC (7) Cl.** **23-01**

(52) **U.S. Cl.** **D23/252**

(58) **Field of Search** D23/238–243,
D23/245, 250–257; D8/300–322, 350–353,
DIG. 3; 16/110.1; 4/675–678; 137/801

(56) **References Cited**

U.S. PATENT DOCUMENTS

D285,597 S	*	9/1986	Miller et al.	D23/242
D332,824 S		1/1993	Robbins	D23/252
D348,509 S		7/1994	Bollenbacher	D6/550
D357,525 S		4/1995	Fabian	D23/252
D391,351 S		2/1998	Ko	D23/250
D402,005 S		12/1998	Ko	D23/252
D404,470 S		1/1999	Pitsch et al.	D23/252
D458,346 S	*	6/2002	Mullenmeister	D23/252
D458,349 S		6/2002	Mullenmeister	D23/254

OTHER PUBLICATIONS

Undated Wico catalog ad showing a lever handle.
Undated Jado catalog ad showing a lever handle.
1989 Bathroom Jewelry ad showing a lever handle.
Undated Harden catalog ad showing a “Series 56” lever handle.
1996 Delta catalog ad showing a lever handle.

* cited by examiner

Primary Examiner—Louis S. Zarfes

Assistant Examiner—Gregory Andoll

(74) *Attorney, Agent, or Firm*—Quarles & Brady LLP

(57) **CLAIM**

The ornamental design for a handle, as shown and described.

DESCRIPTION

FIG. 1 is a left, top, front perspective view of a handle embodying our new design;

FIG. 2 is a front elevational view thereof, the rear elevational view being a mirror image of the front elevational view shown;

FIG. 3 is a left side elevational view thereof;

FIG. 4 is a right side elevational view thereof;

FIG. 5 is a top plan view thereof; and,

FIG. 6 is a bottom plan view thereof.

The broken line representation of mounting structure in FIG. 6 is for the purpose of illustration only, and forms no part of the claimed design.

1 Claim, 2 Drawing Sheets

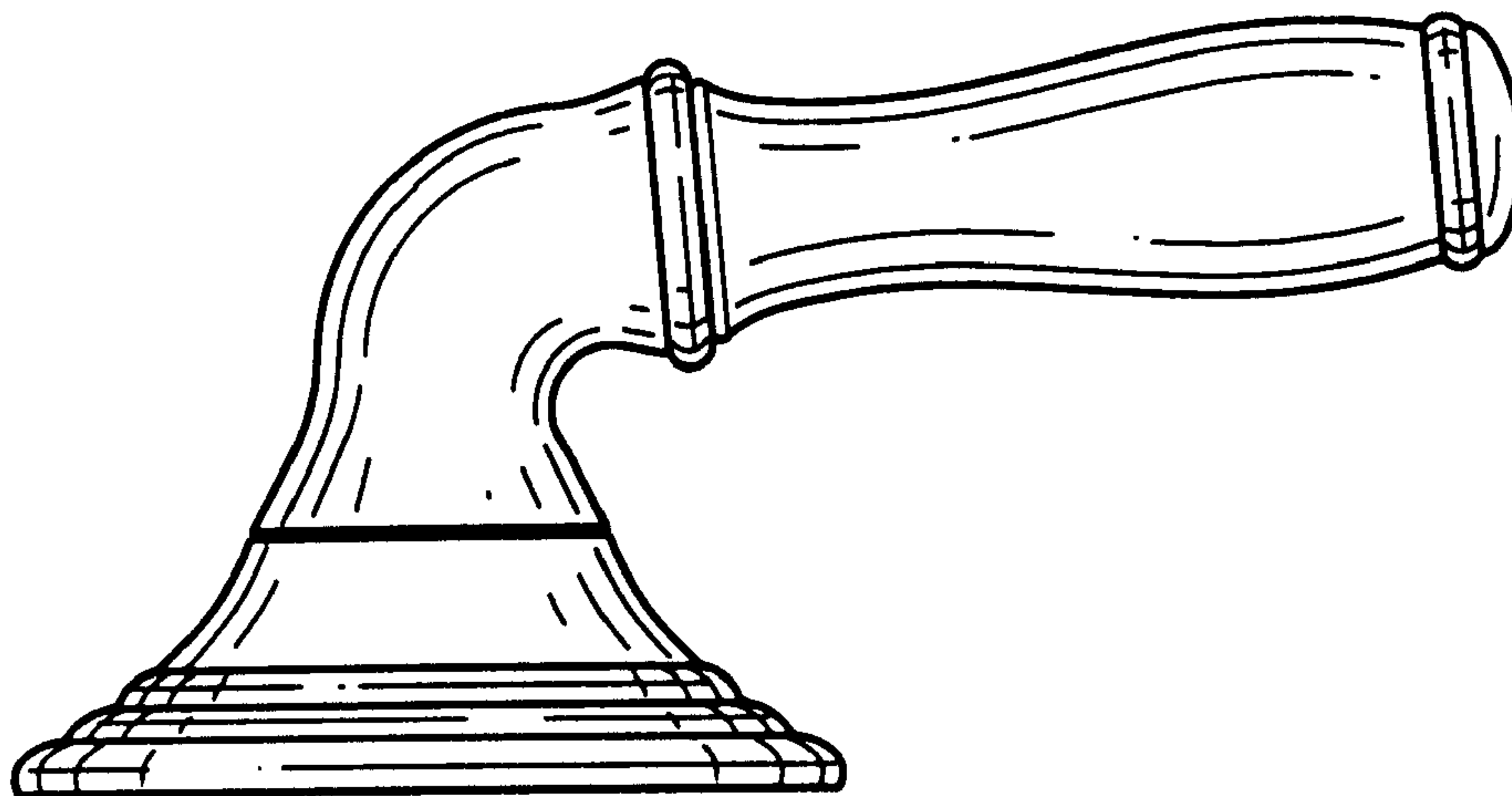


FIG. 1

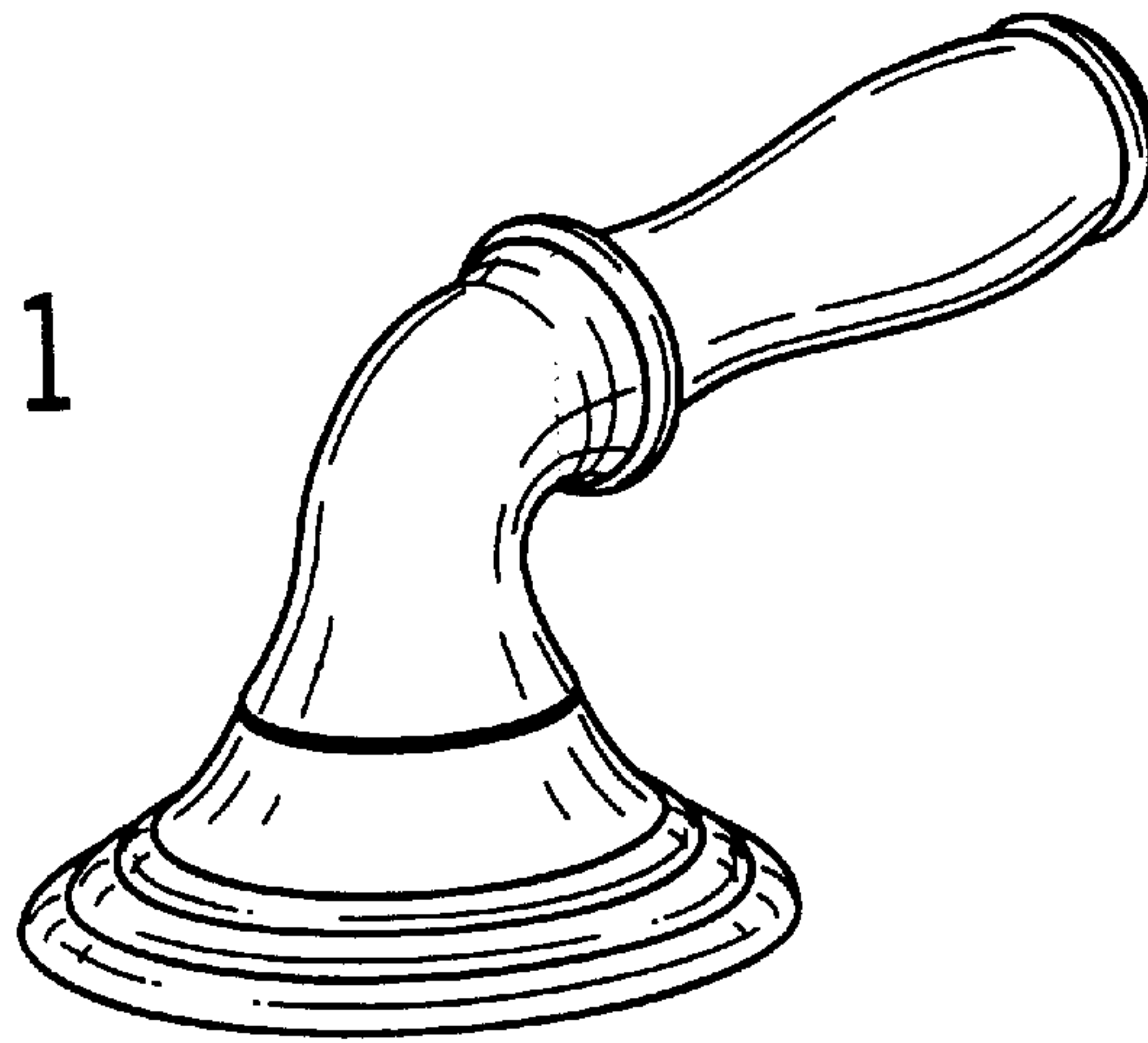


FIG. 2

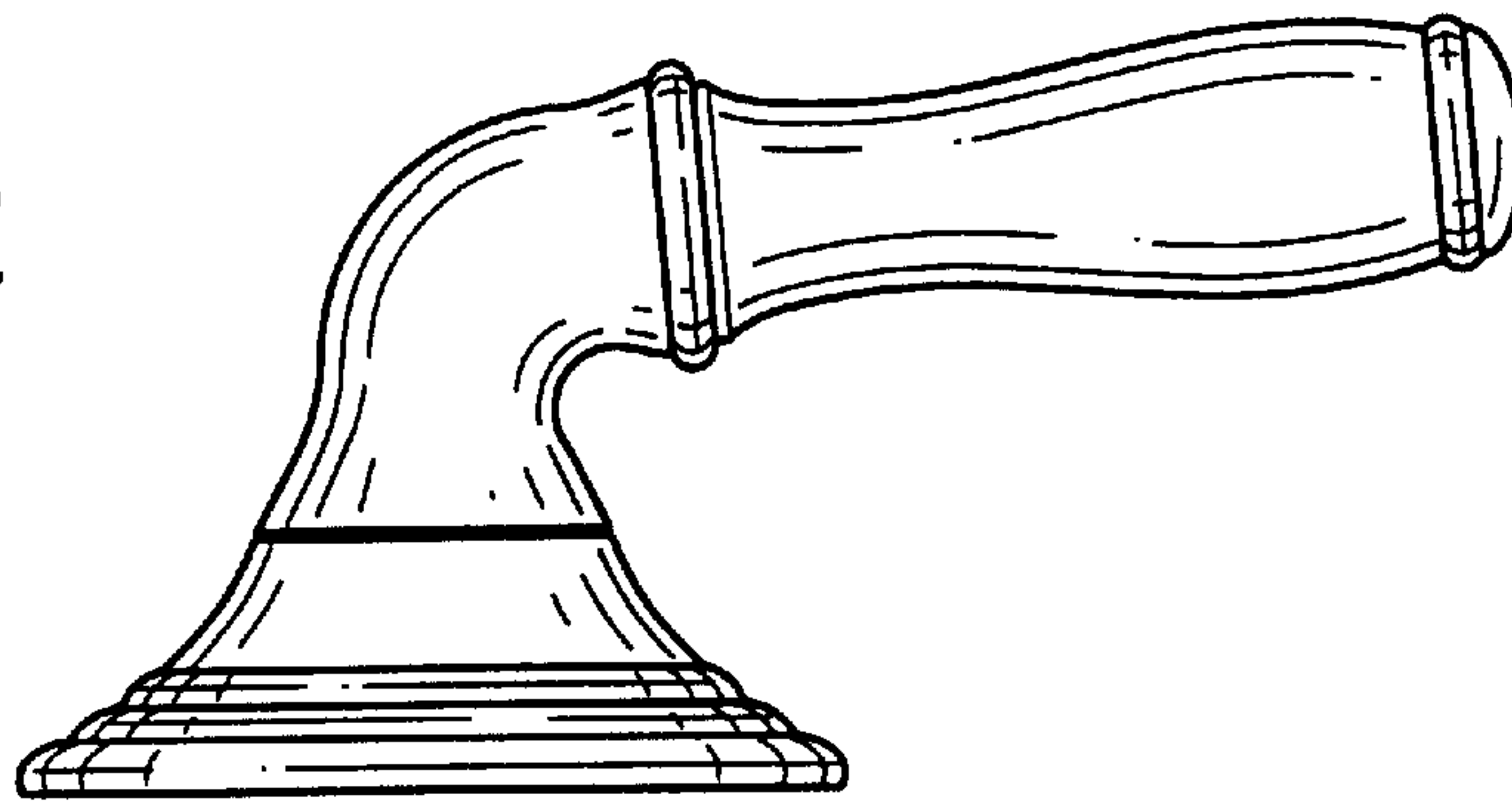


FIG. 3

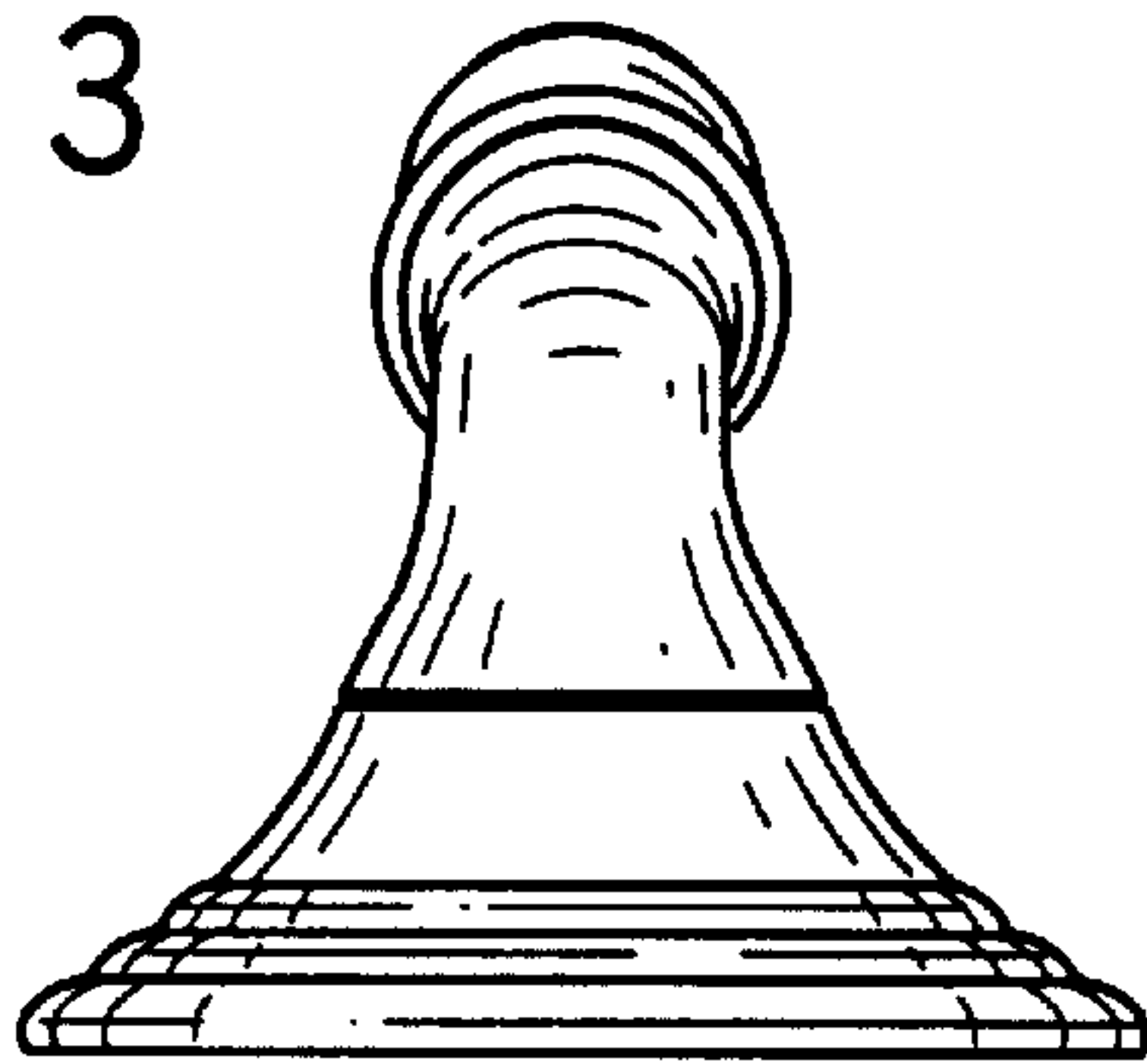


FIG. 4

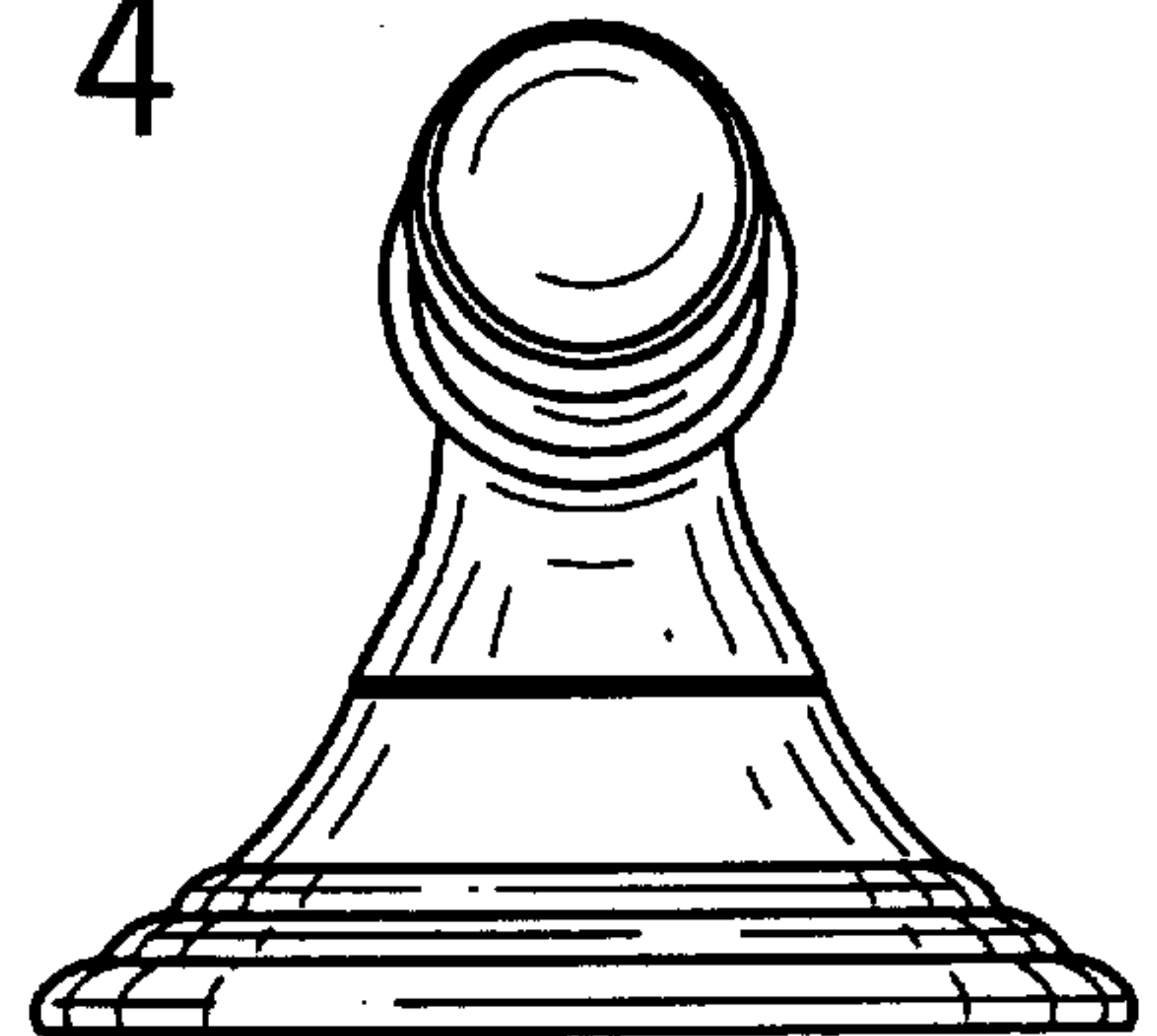


FIG. 5

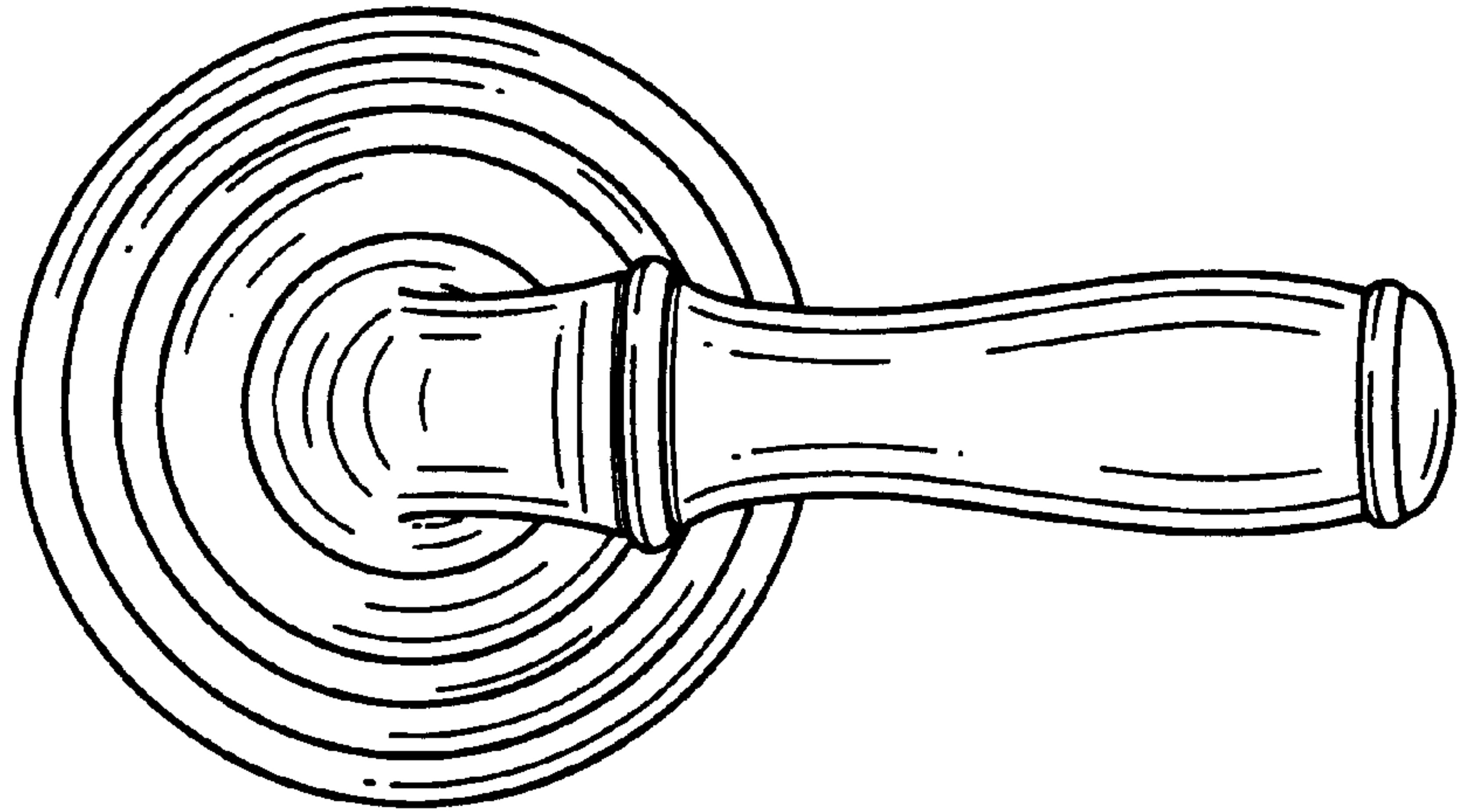


FIG. 6

