



US00D482756S

(12) **United States Design Patent**
Duncan et al.

(10) **Patent No.:** **US D482,756 S**

(45) **Date of Patent:** **** Nov. 25, 2003**

(54) **TRUCK SPRINKLER**

(75) Inventors: **Scott W. Duncan**, Bloomington, MN (US); **Scott A. Dunlap**, Bloomington, MN (US)

(73) Assignee: **S & S Product Design Inc.**, Bloomington, MN (US)

(**) Term: **14 Years**

(21) Appl. No.: **29/172,388**

(22) Filed: **Dec. 11, 2002**

Related U.S. Application Data

(60) Division of application No. 29/162,860, filed on Jun. 21, 2002, which is a continuation-in-part of application No. 29/145,092, filed on Jul. 16, 2001, now Pat. No. Des. 461,223.

(51) **LOC (7) Cl.** **23-01**

(52) **U.S. Cl.** **D23/215; D23/219**

(58) **Field of Search** **D23/213-215, D23/219, 220; D21/552, 559, 560; D12/93; 239/211**

(56) **References Cited**

U.S. PATENT DOCUMENTS

D151,118 S	9/1948	Borgeson	
2,575,828 A	11/1951	Muench	299/49
2,883,116 A	4/1959	Muench	237/748
2,901,180 A	8/1959	Warrick	239/67

3,085,751 A	4/1963	Warrick	239/183
3,507,336 A	4/1970	Nelson	172/438
3,785,563 A	1/1974	Maple	239/183
3,915,383 A	10/1975	King	239/242
4,003,519 A	1/1977	Kruse	239/183
4,059,229 A	11/1977	Pescetto	239/183
D301,603 S	6/1989	Herrera	D23/215
5,419,494 A	5/1995	Harwood	239/211
D386,254 S	11/1997	Lung-Ruey	D23/215
D391,625 S	3/1998	Sabatta	D23/220
D421,933 S	3/2000	Bender	D12/88
D438,529 S	3/2001	Brennan	D12/88
D441,831 S	5/2001	Heren	D23/215
D443,318 S	* 6/2001	Tse	D21/559
D443,915 S	6/2001	Heren	D23/220
D457,578 S	* 5/2002	Zweiback et al.	D21/559
D461,223 S	8/2002	Duncan	D23/215

* cited by examiner

Primary Examiner—Robin V. Taylor

(74) *Attorney, Agent, or Firm*—Patterson, Thuente, Skaar & Christensen, P.A.

(57) **CLAIM**

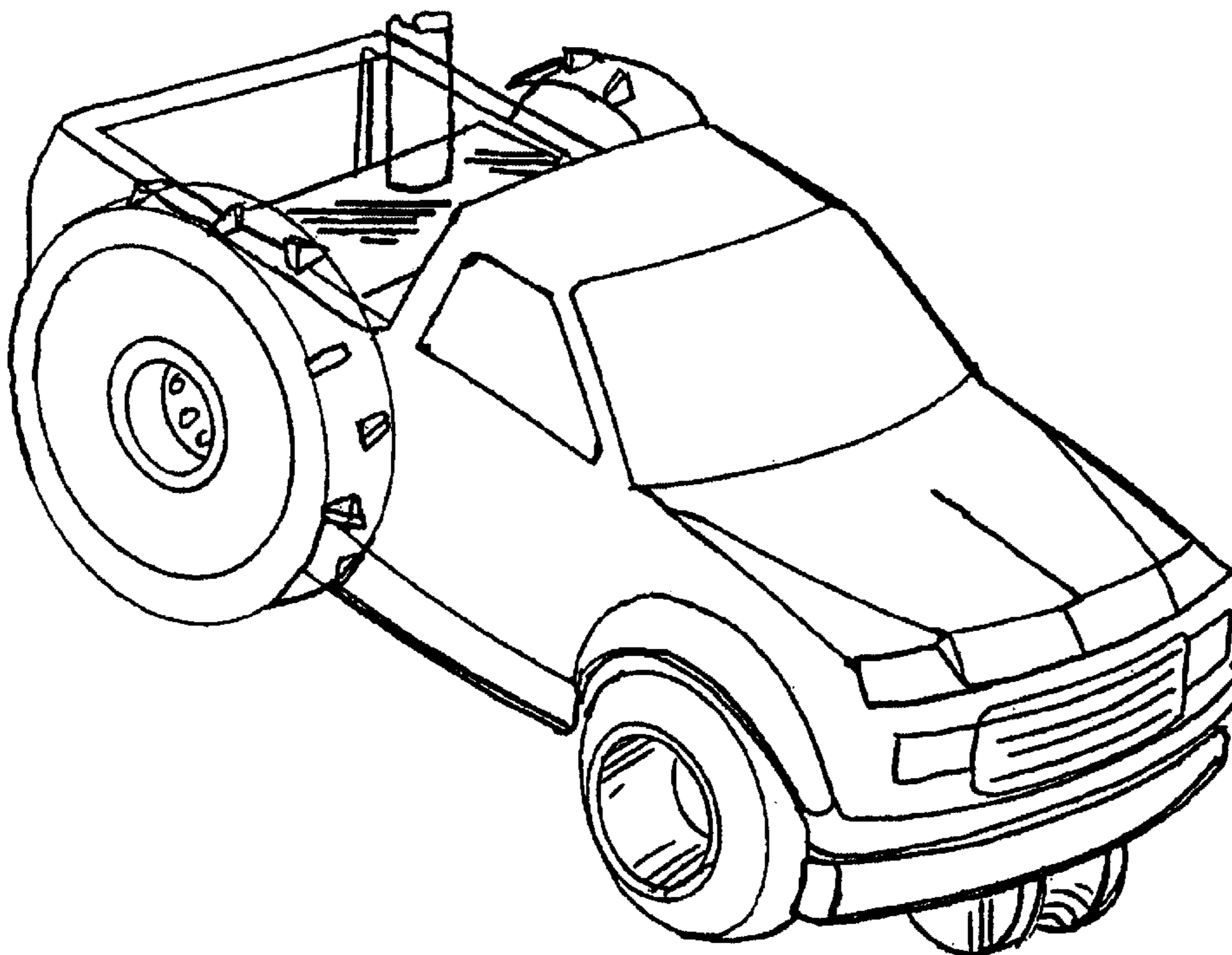
I claim the ornamental design for truck sprinkler, as shown.

DESCRIPTION

The FIGURE is a truck sprinkler according to the present invention.

The broken line showing is for illustrative purposes only and forms no part of the claimed design.

1 Claim, 1 Drawing Sheet



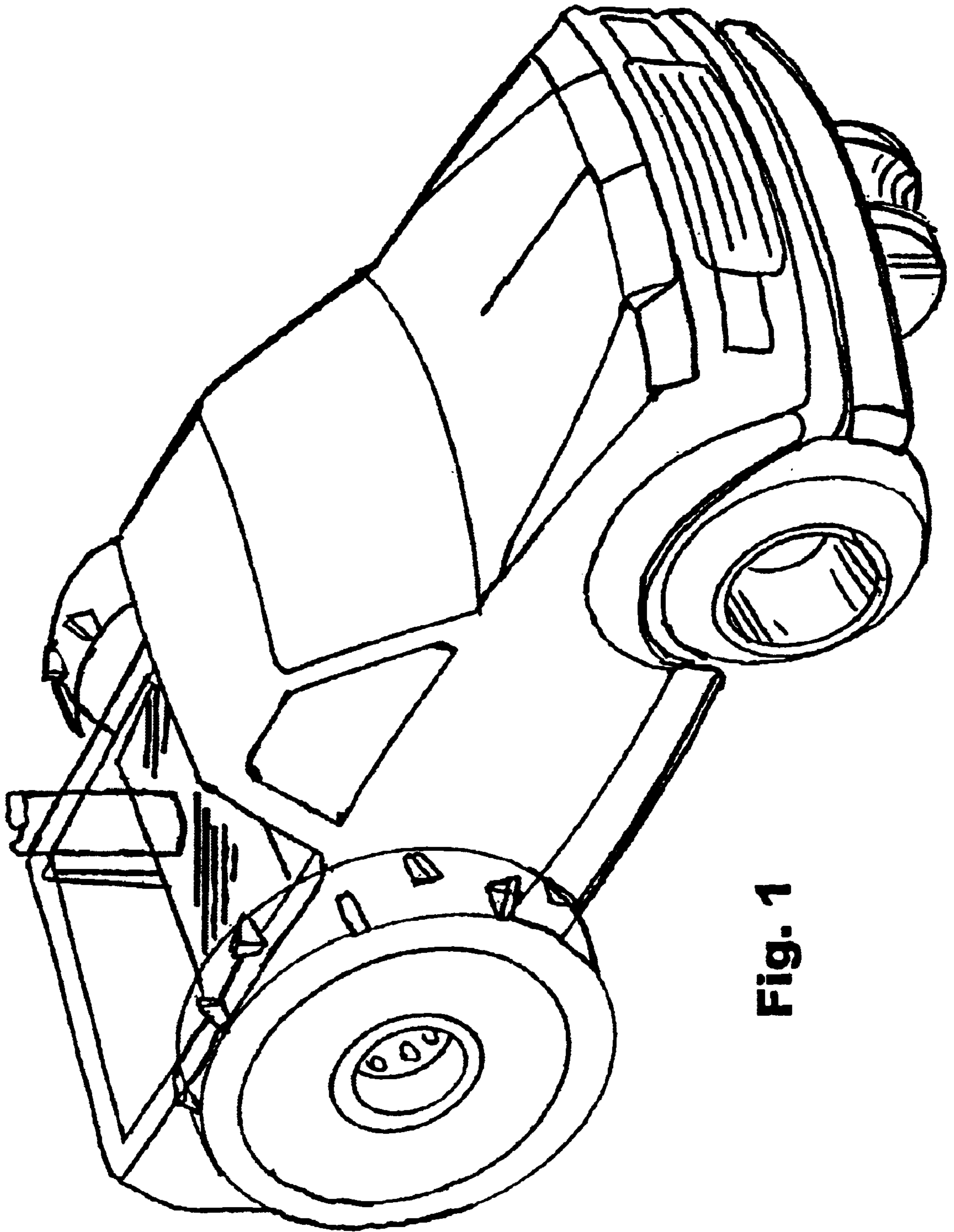


Fig. 1