



US00D482753S

(12) **United States Design Patent**  
**Burke**

(10) **Patent No.:** **US D482,753 S**

(45) **Date of Patent:** **\*\* Nov. 25, 2003**

(54) **SPINCAST FISHING REEL BODY**

D468,795 S \* 1/2003 Kondo et al. .... D22/140

(75) Inventor: **Marde Burke**, Owasso, OK (US)

**OTHER PUBLICATIONS**

(73) Assignee: **W. C. Bradley/Zebco Holdings, Inc.**,  
Tulsa, OK (US)

U.S. patent application Ser. No. 29/159,451, Burke, filed  
Apr. 22, 2002.

Zebco Rods and Reels Catalog 2000, ©1999.

(\*\*) Term: **14 Years**

\* cited by examiner

(21) Appl. No.: **29/169,880**

*Primary Examiner*—Catherine R. Oliver

(22) Filed: **Oct. 28, 2002**

(74) *Attorney, Agent, or Firm*—Fellers, Snider,  
Blankenship, Bailey & Tippens, P.C.

(51) **LOC (7) Cl.** ..... **22-05**

(52) **U.S. Cl.** ..... **D22/140**

(58) **Field of Search** ..... D22/140, 141,  
D22/137, 138, 139; 242/234–240, 310,  
311, 312, 314, 319, 323

(57) **CLAIM**

The ornamental design for a spincast fishing reel body, as  
shown.

(56) **References Cited**

**DESCRIPTION**

**U.S. PATENT DOCUMENTS**

D290,987 S	7/1987	Robbins	.....	D22/141
D314,604 S	2/1991	Jackson et al.	.....	D22/141
D404,109 S	1/1999	Zwayer et al.	.....	D22/141
D414,840 S	10/1999	Kirby	.....	D22/141
6,000,652 A	* 12/1999	Zwayer et al.	.....	242/238
6,138,935 A	10/2000	Zwayer et al.	.....	242/311
D443,333 S	6/2001	Gibson	.....	D22/140
D450,105 S	* 11/2001	Asano et al.	.....	D22/140
D459,430 S	* 6/2002	Burke	.....	D22/140
D460,994 S	7/2002	Burke	.....	D22/140

FIG. 1 is a left side elevational view of a spincast fishing reel  
body showing my new design;

FIG. 2 is a rear elevational view thereof;

FIG. 3 is a front elevational view thereof;

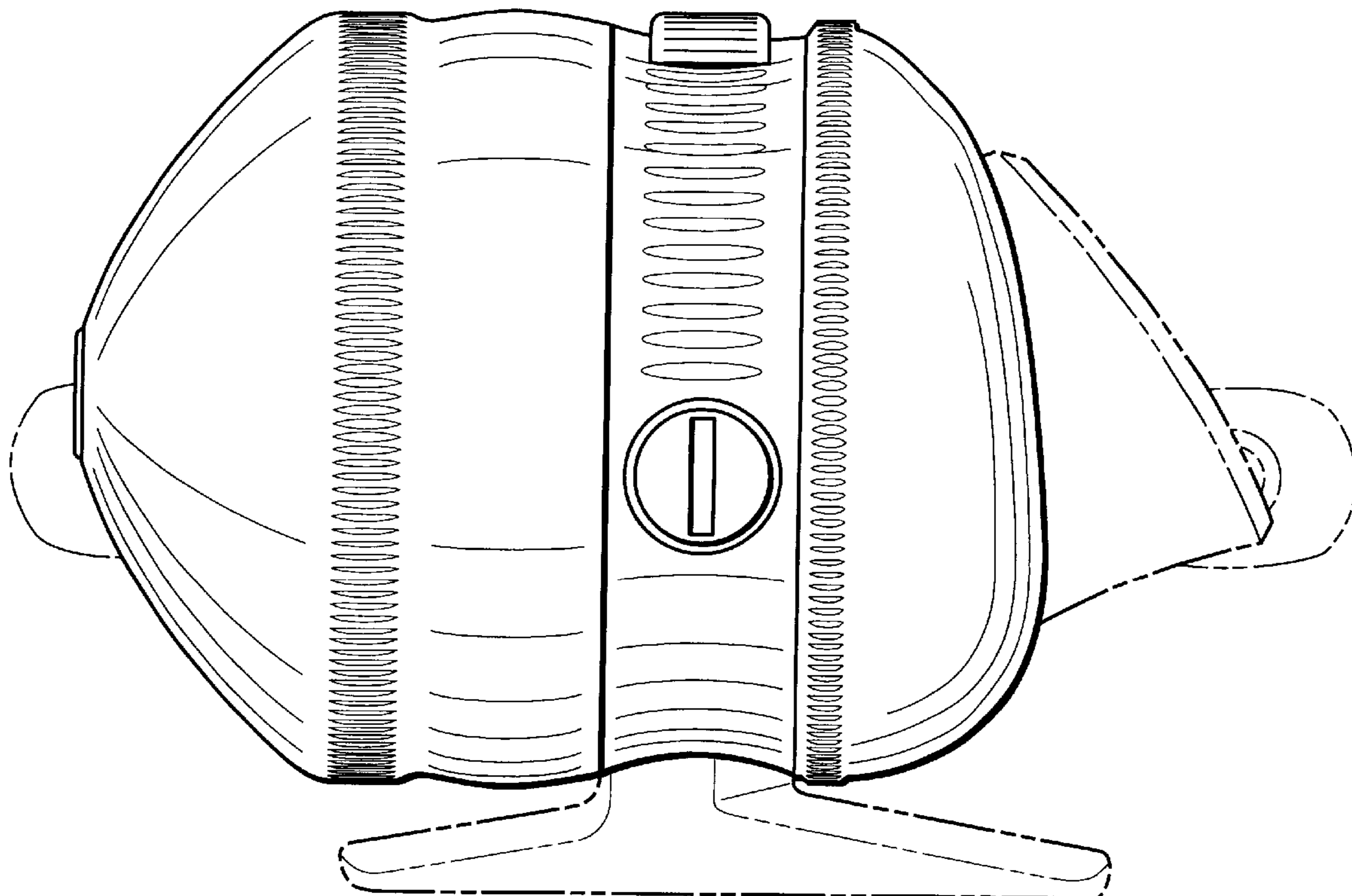
FIG. 4 is a right side elevational view thereof;

FIG. 5 is a top plan view thereof; and,

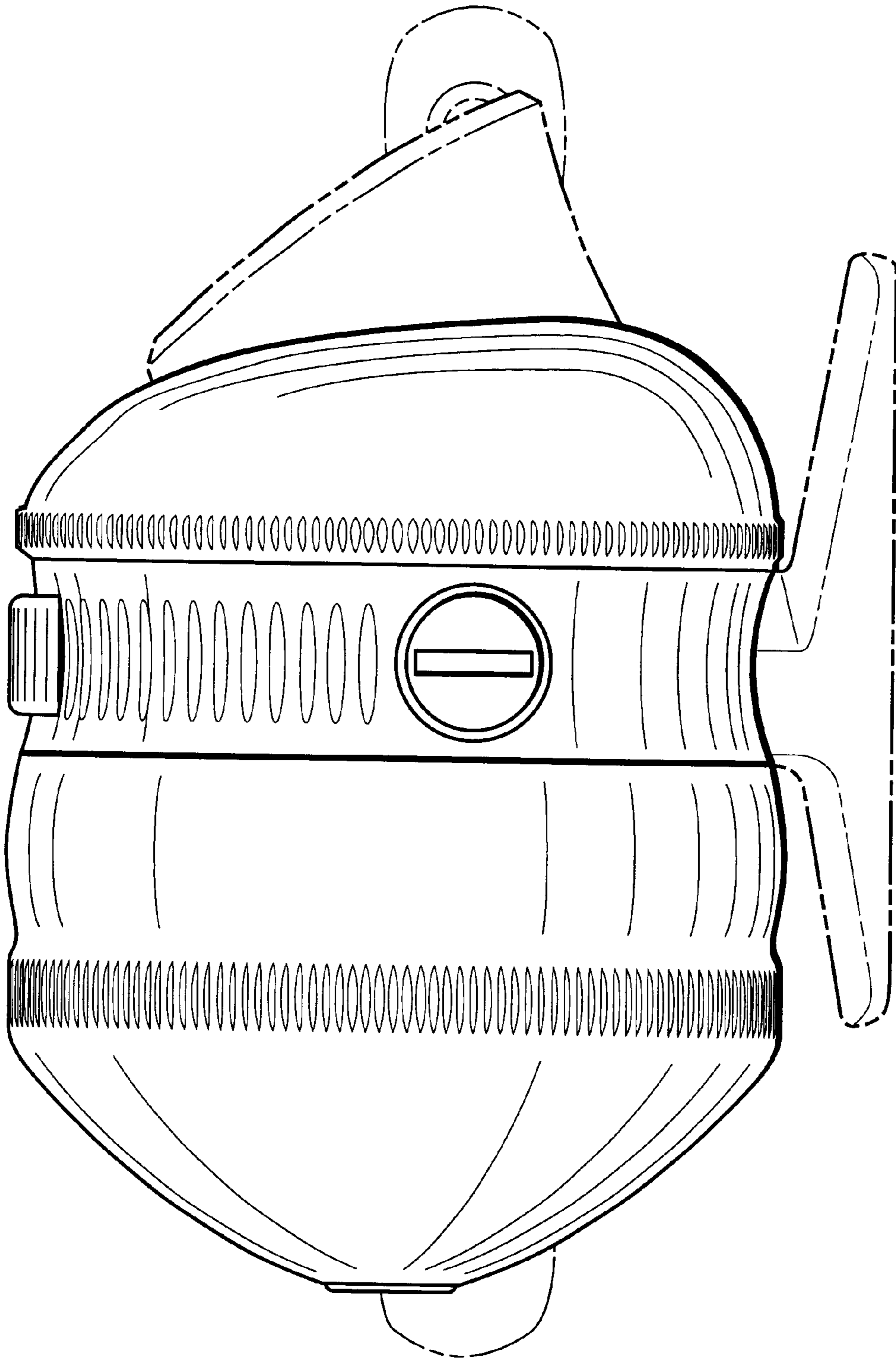
FIG. 6 is a bottom plan view thereof.

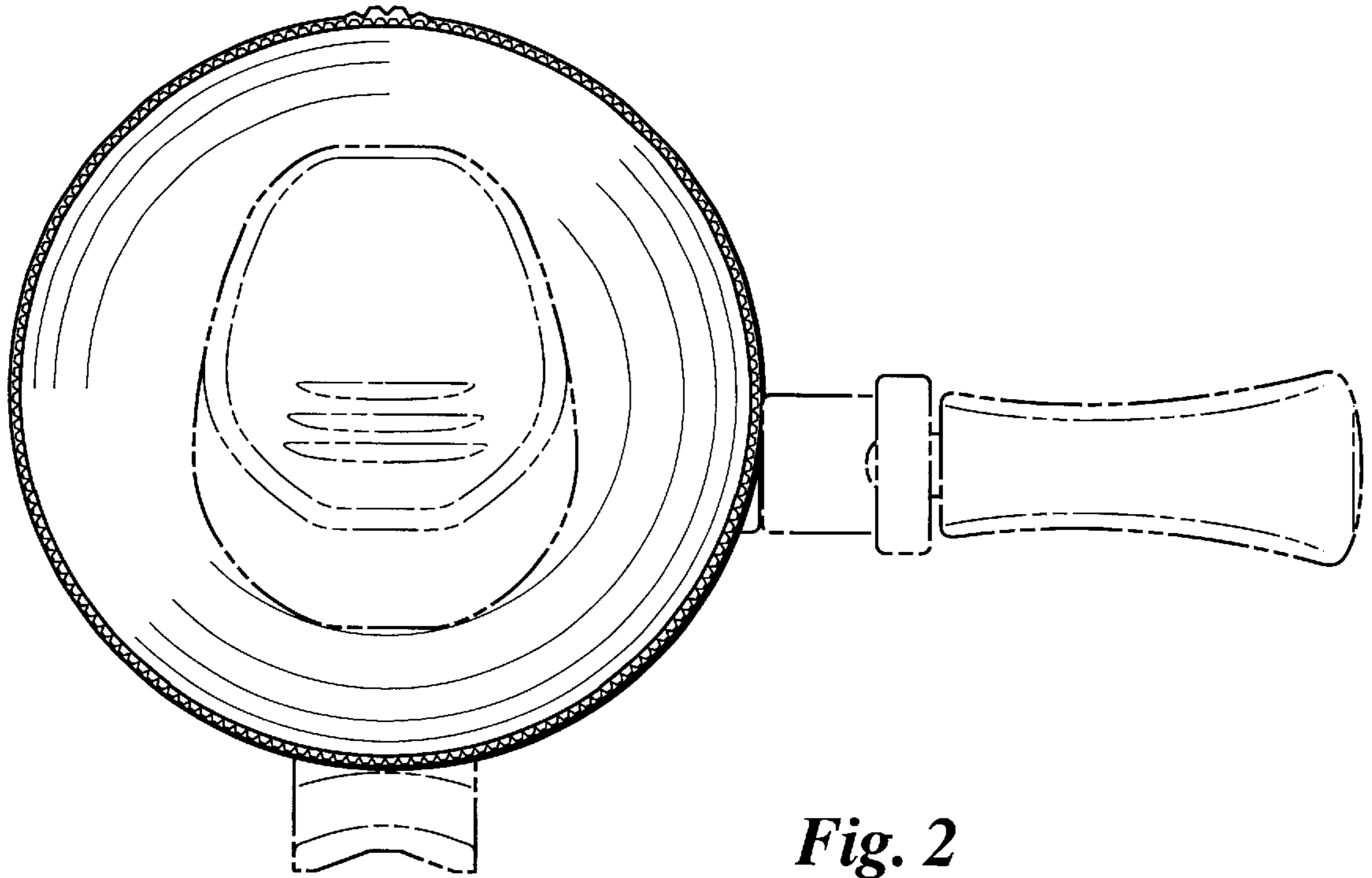
The broken line showing of environment in the drawings is  
for illustrative purposes only and forms no part of the  
claimed design.

**1 Claim, 5 Drawing Sheets**

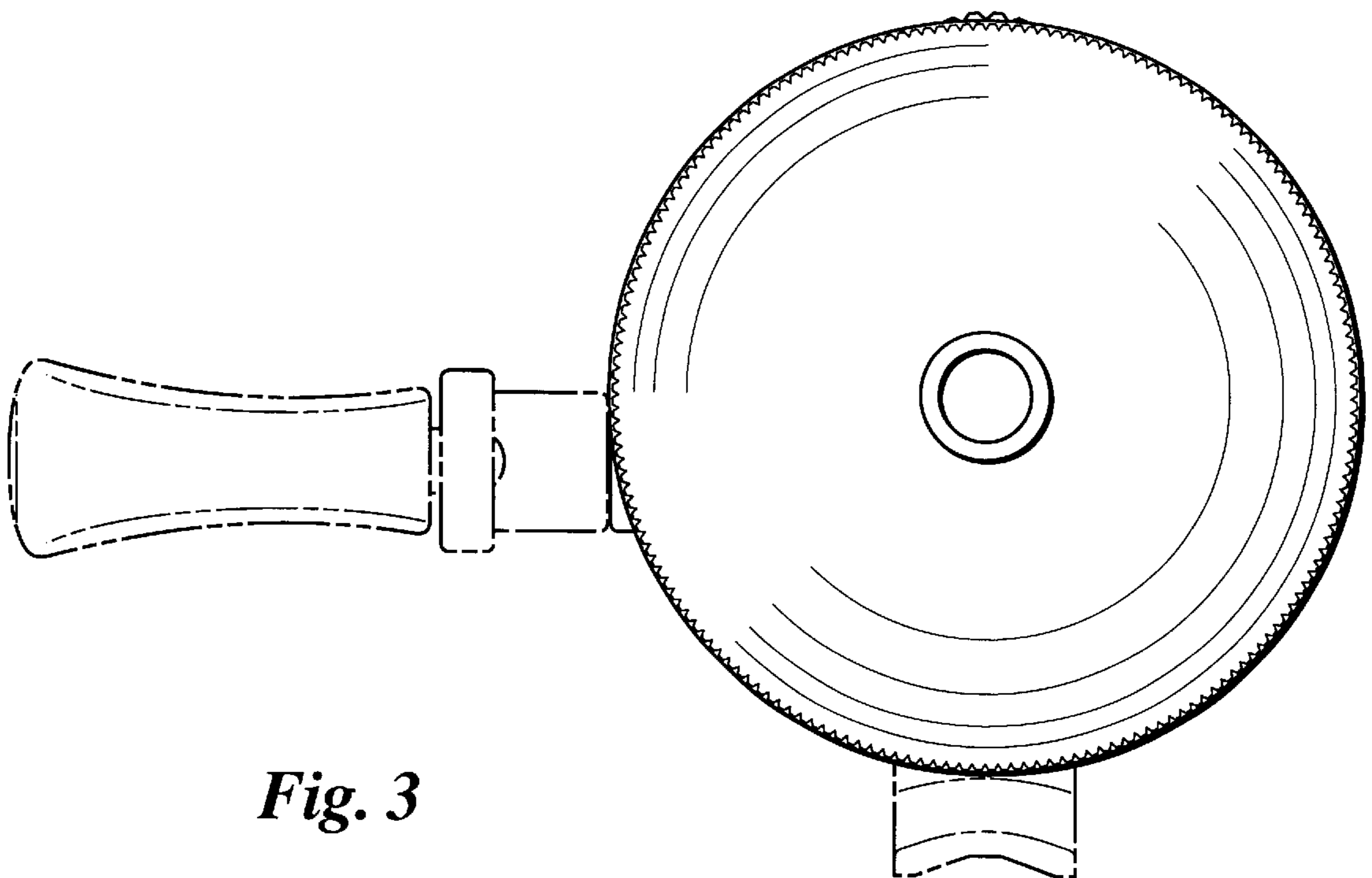


*Fig. 1*

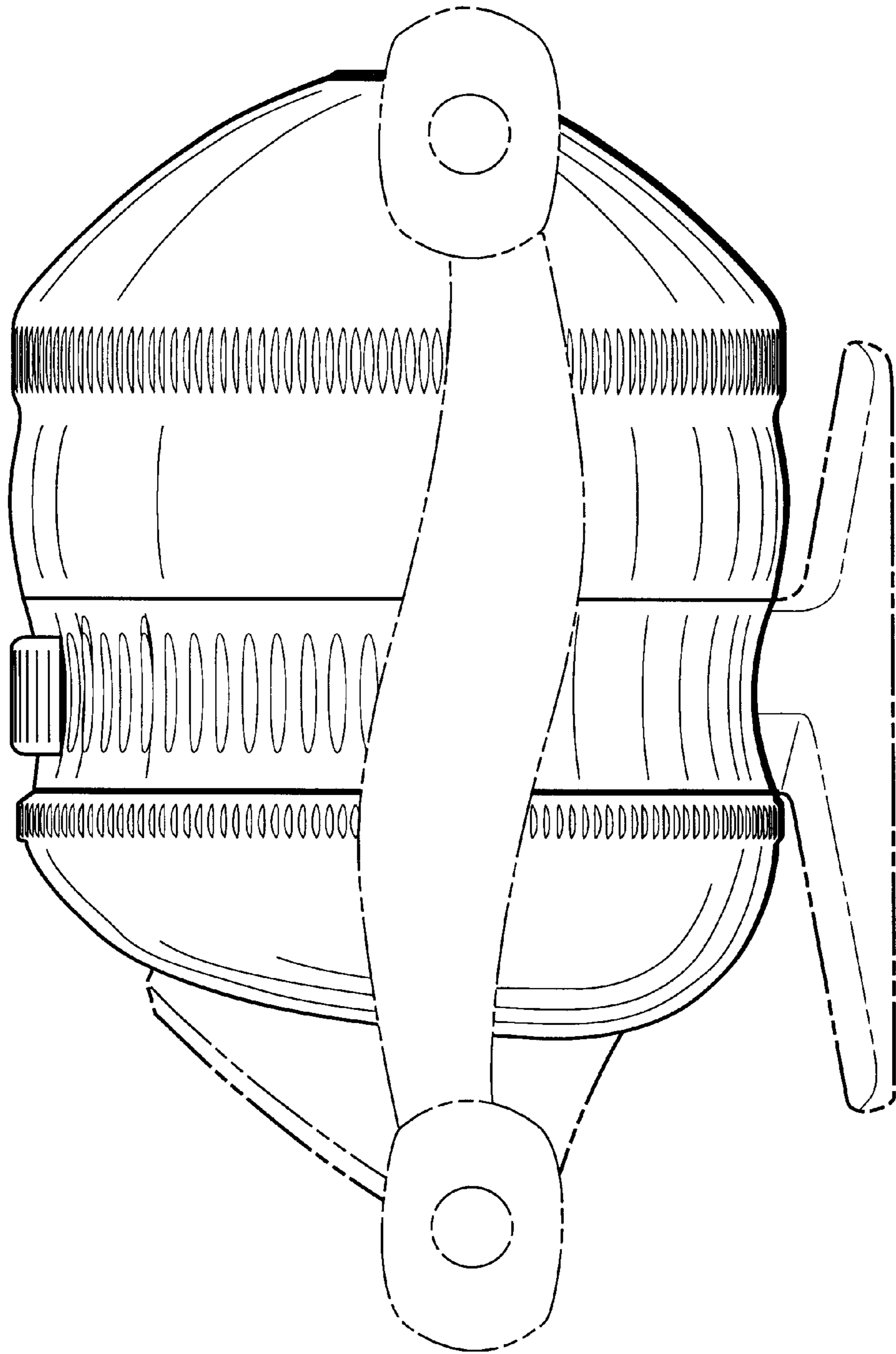




*Fig. 2*



*Fig. 3*



**Fig. 4**

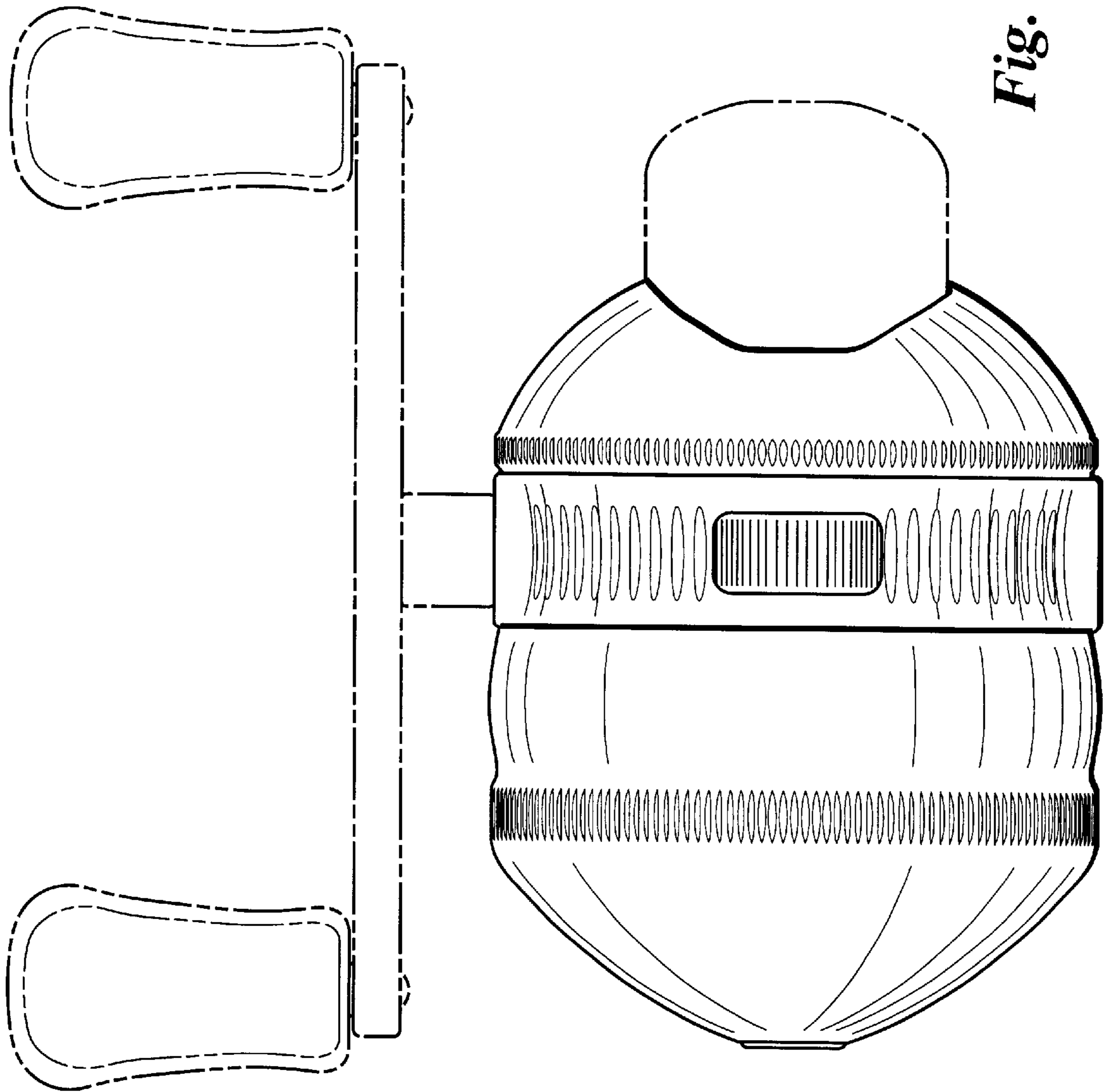
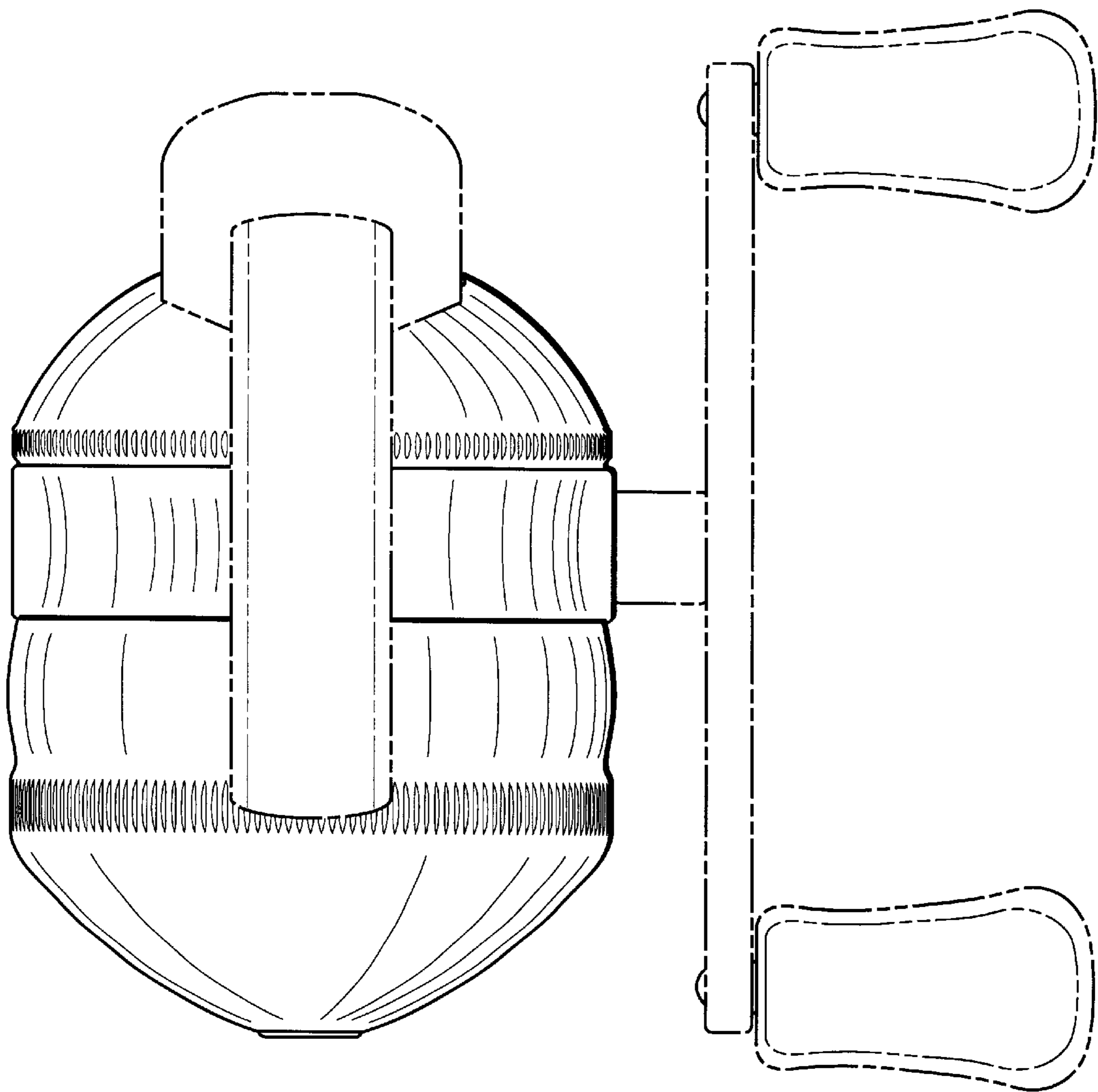


Fig. 5



*Fig. 6*