



US00D482752S

(12) **United States Design Patent**
Alexander et al.

(10) **Patent No.:** **US D482,752 S**

(45) **Date of Patent:** **** Nov. 25, 2003**

(54) **WATERFOWL DECOY PEDESTAL**

D365,136 S * 12/1995 Shaver et al. D22/125
6,216,382 B1 * 4/2001 Lindaman 43/2

(76) Inventors: **Donald J. Alexander**, HCO-4 Box
43001, Alturas, CA (US) 96101; **Linda**
K. Alexander, HCO-4 Box 43001,
Alturas, CA (US) 96101

* cited by examiner

Primary Examiner—Catherine R. Oliver
(74) *Attorney, Agent, or Firm*—Eric G. Masamori

(**) Term: **14 Years**

(57) **CLAIM**

(21) Appl. No.: **29/176,192**

The ornamental design for a waterfowl decoy pedestal, as shown.

(22) Filed: **Feb. 19, 2003**

DESCRIPTION

(51) **LOC (7) Cl.** **22-05**

(52) **U.S. Cl.** **D22/125**

(58) **Field of Search** D22/125, 199;
43/3, 2; 248/176.1, 156, 533, 150; 446/487,
330, 359

FIG. 1 is a perspective view of a waterfowl decoy pedestal showing our new design.

FIG. 2 is a front view of the waterfowl decoy pedestal.

FIG. 3 is a rear view of the waterfowl decoy pedestal.

FIG. 4 is a side view of the waterfowl decoy pedestal.

FIG. 5 is a side view of the side opposite that shown in FIG. 4.

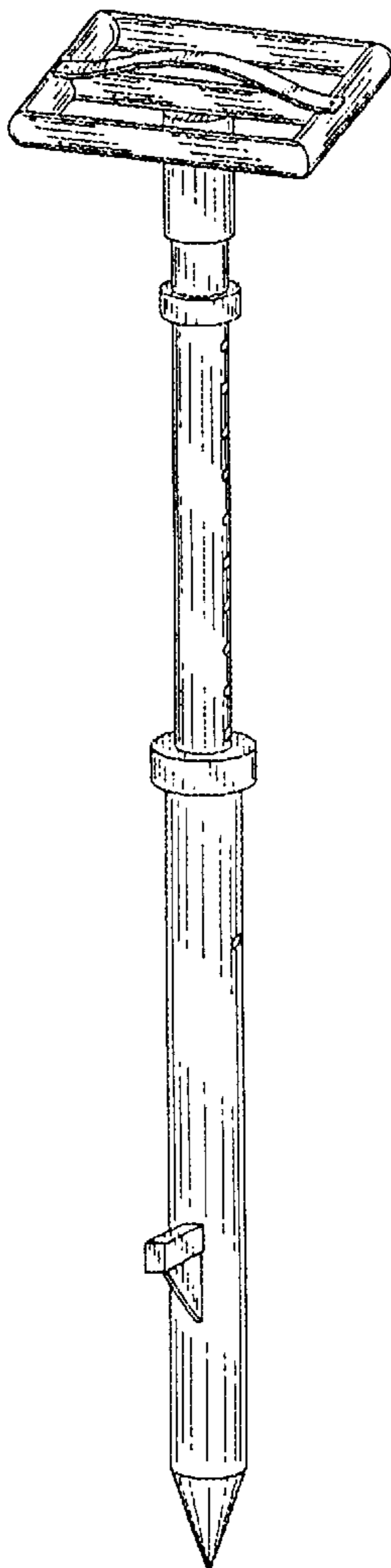
FIG. 6 is a top view of the waterfowl decoy pedestal; and, FIG. 7 is a bottom view of the waterfowl decoy pedestal.

(56) **References Cited**

U.S. PATENT DOCUMENTS

843,588 A * 2/1907 Ditto 43/3
5,065,975 A * 11/1991 Giles 248/156

1 Claim, 4 Drawing Sheets



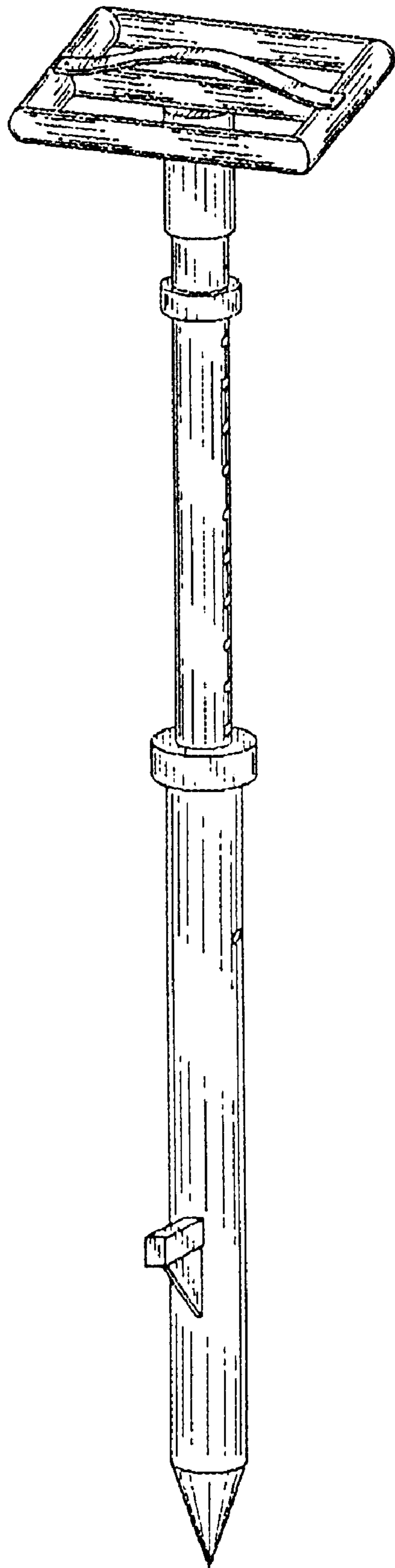


FIG. 1

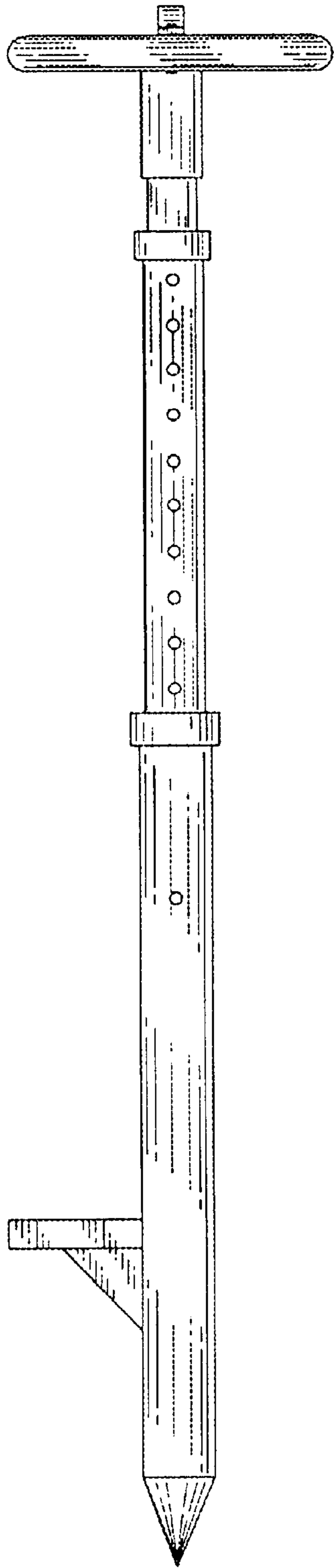


FIG. 2

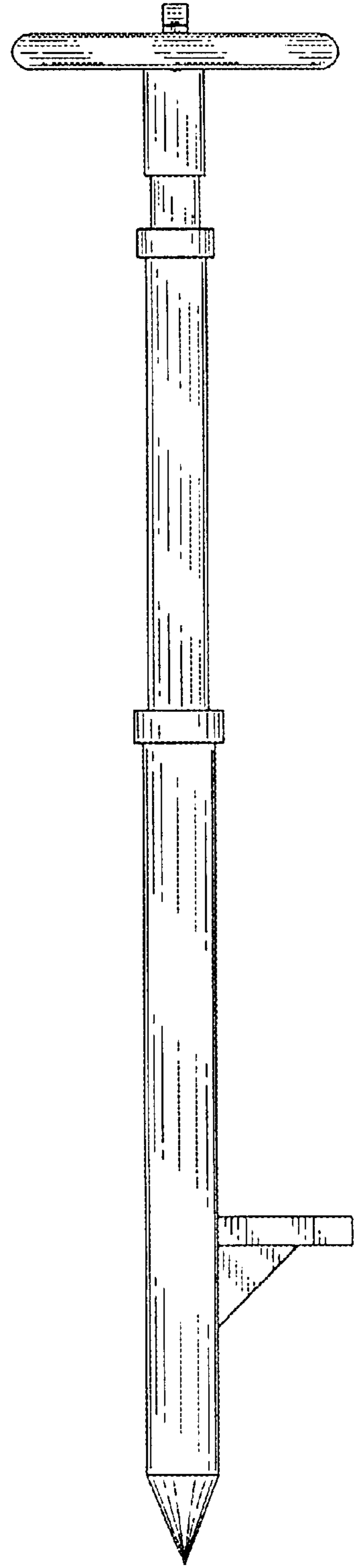


FIG. 3

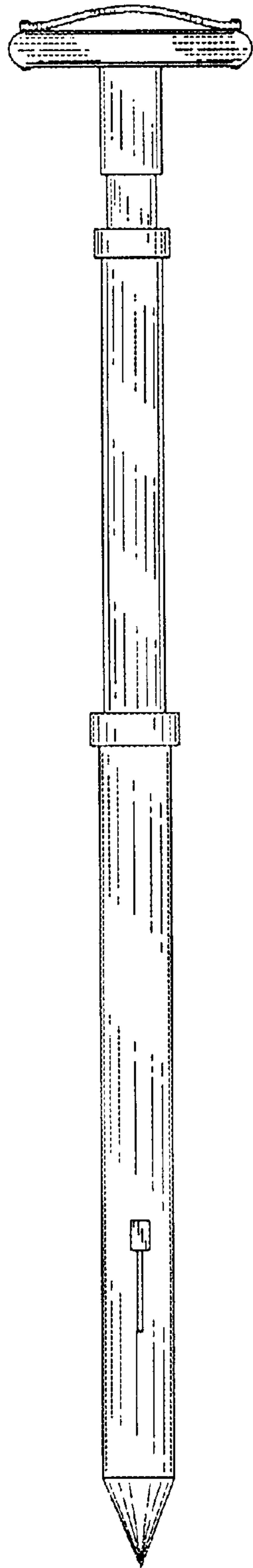


FIG. 4

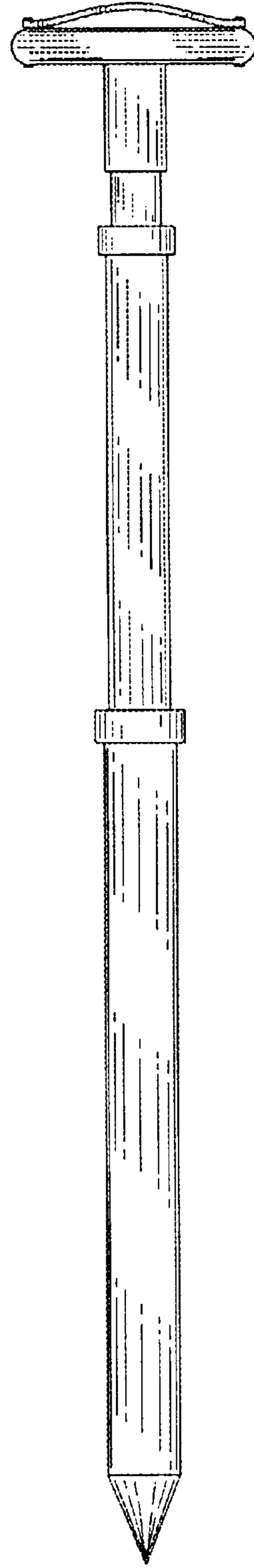


FIG. 5

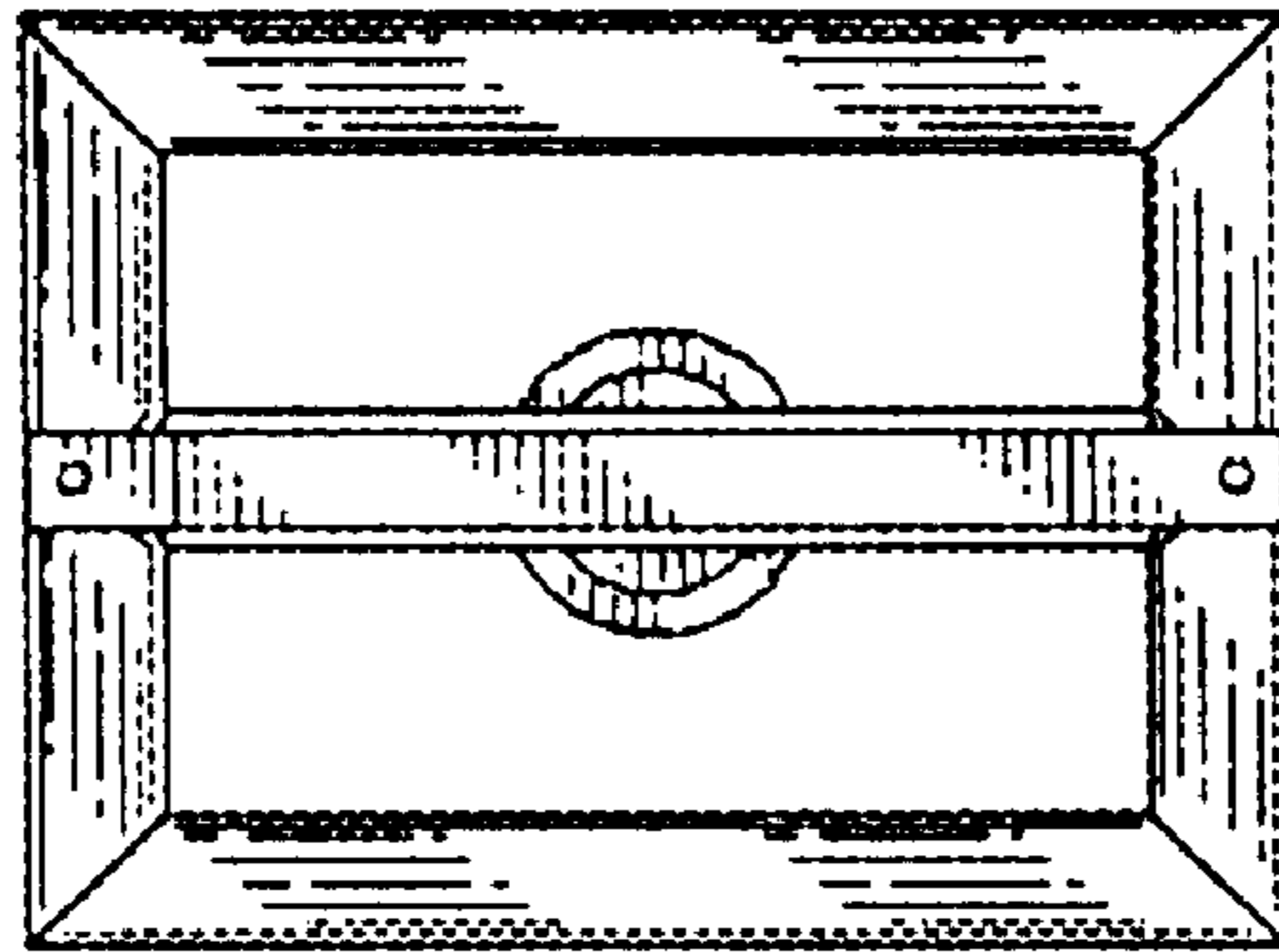


FIG. 6

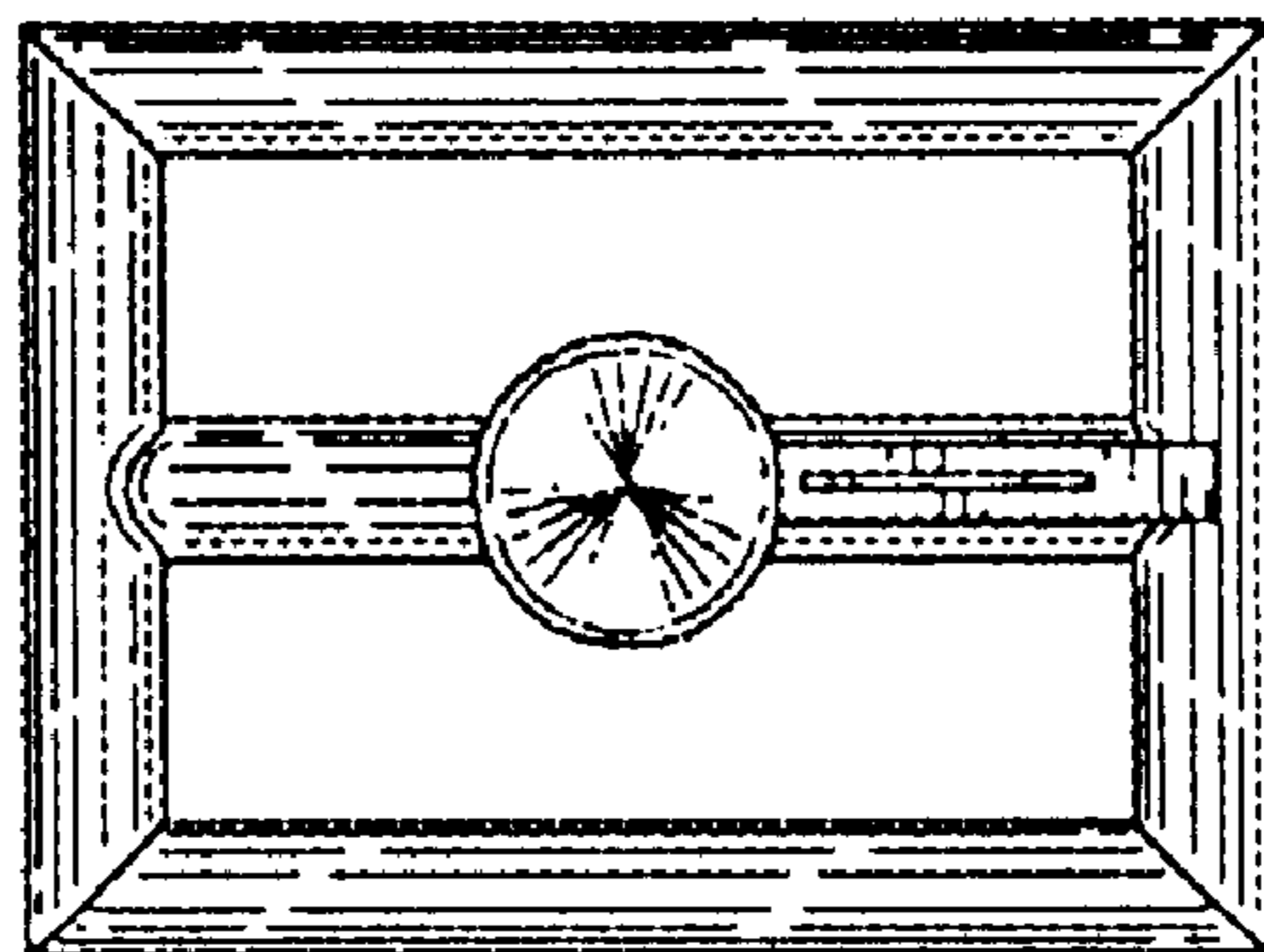


FIG. 7