



US00D482751S

(12) **United States Design Patent**  
**Penton**

(10) **Patent No.:** **US D482,751 S**

(45) **Date of Patent:** **\*\* Nov. 25, 2003**

(54) **PORTABLE SEED AND SOIL DISPENSER  
FOR REPAIRING GOLF DIVOTS**

6,267,269 B1 \* 7/2001 Kates ..... 222/162  
6,450,268 B1 \* 9/2002 Taylor ..... 172/354

(76) **Inventor:** **Hugh V. Penton**, 45 Saint Malo Beach,  
Oceanside, CA (US) 92054

\* cited by examiner

(\*\*) **Term:** **14 Years**

*Primary Examiner*—Mitchell Siegel

(74) *Attorney, Agent, or Firm*—Morland C. Fischer

(21) **Appl. No.:** **29/174,632**

(57) **CLAIM**

(22) **Filed:** **Jan. 23, 2003**

The ornamental design for a portable seed and soil dispenser  
for repairing golf divots, as shown and described.

(51) **LOC (7) Cl.** ..... **21-02**

**DESCRIPTION**

(52) **U.S. Cl.** ..... **D21/789**

(58) **Field of Search** ..... D21/789; D9/515,  
D9/559, 573; 111/92, 7.2, 95, 130; 222/162,  
191, 196.1, 457.5, 175, 501, 518; 239/652,  
689; 15/104.92, 160

FIG. 1 is a front elevational view showing a portable seed  
and soil dispenser for repairing golf divots which forms my  
new design;

FIG. 2 is a right side elevational view thereof;

FIG. 3 is a rear elevational view thereof;

FIG. 4 is a left side elevational view thereof;

FIG. 5 is a top plan view thereof;

FIG. 6 is a bottom plan view thereof; and,

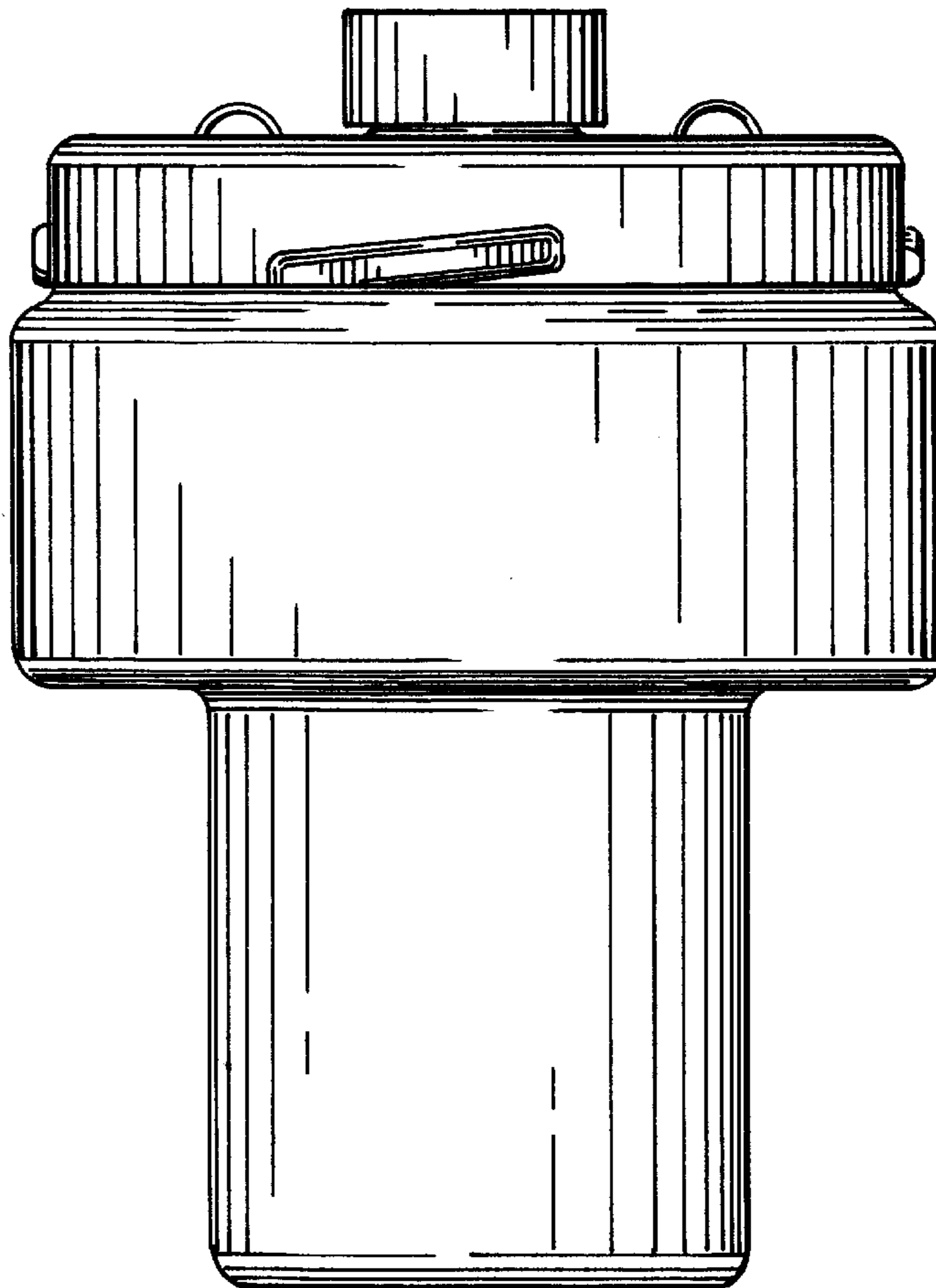
FIG. 7 is a perspective view showing the front, right side and  
top thereof.

(56) **References Cited**

**U.S. PATENT DOCUMENTS**

4,290,374 A \* 9/1981 Maples ..... 111/92  
4,821,358 A \* 4/1989 Wyckoff et al. .... 15/104.92  
5,131,570 A \* 7/1992 Sawyer, III ..... 222/175  
D431,624 S \* 10/2000 Colonello ..... D21/789

**1 Claim, 4 Drawing Sheets**



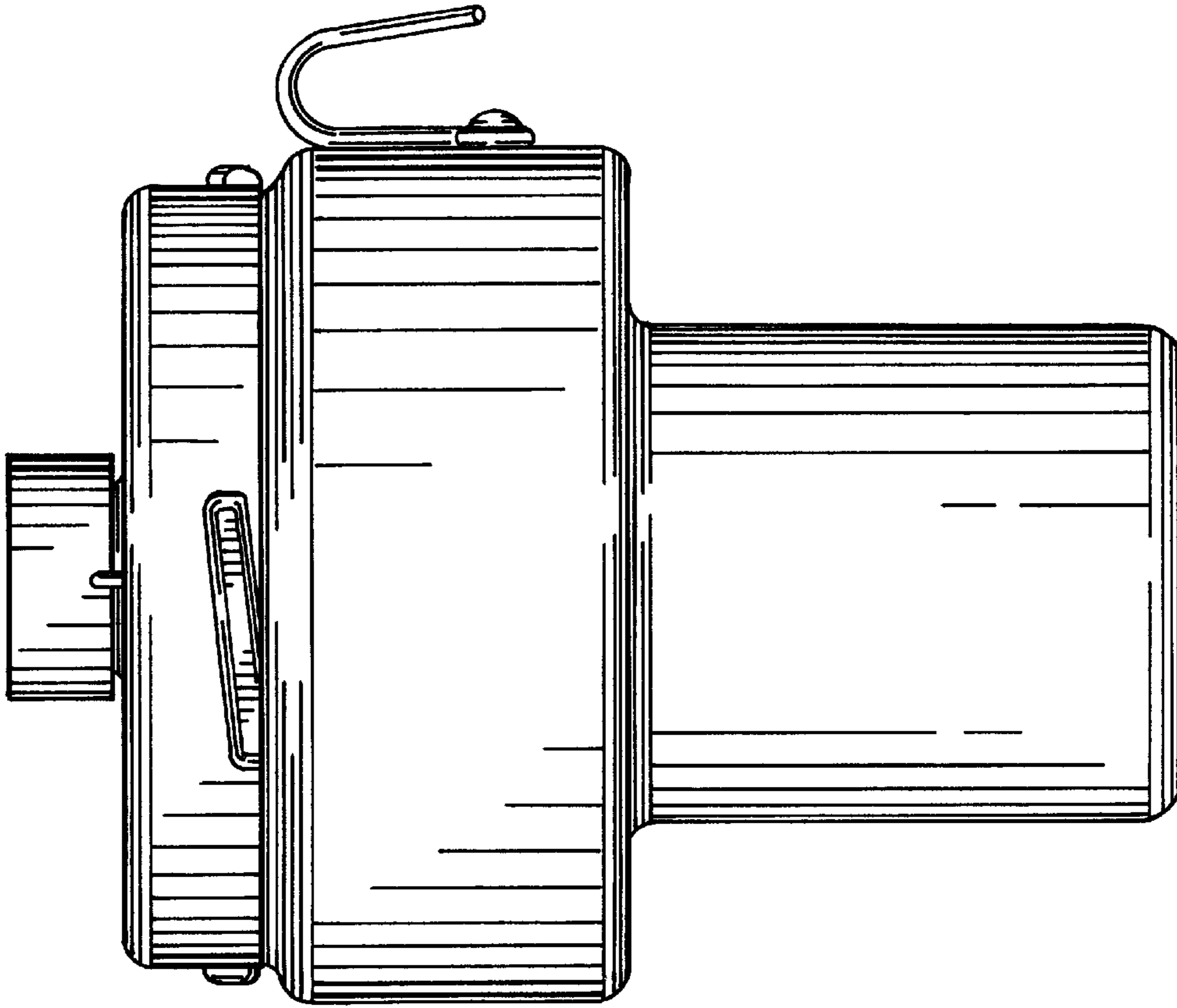


FIG. 2

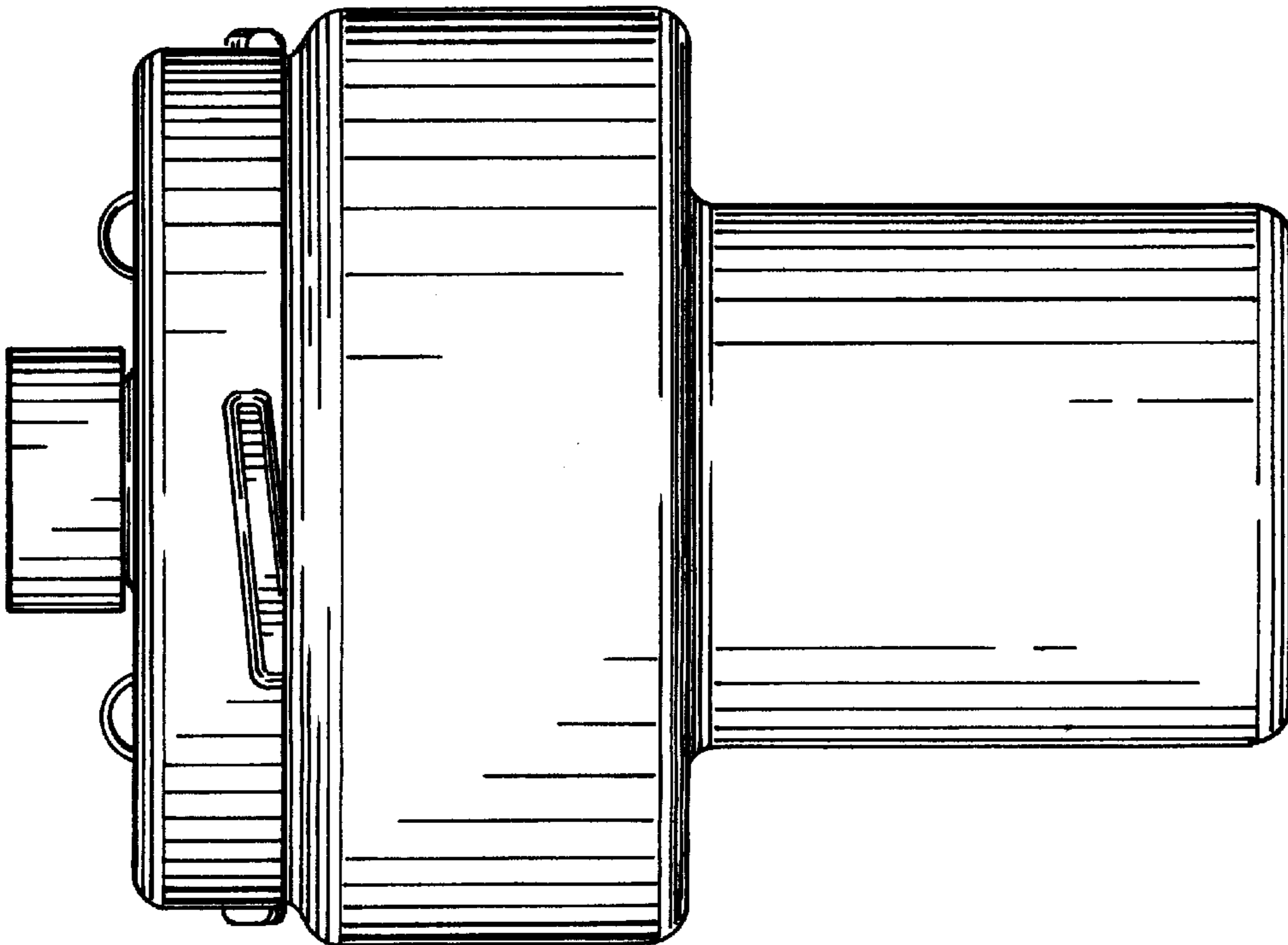


FIG. 1

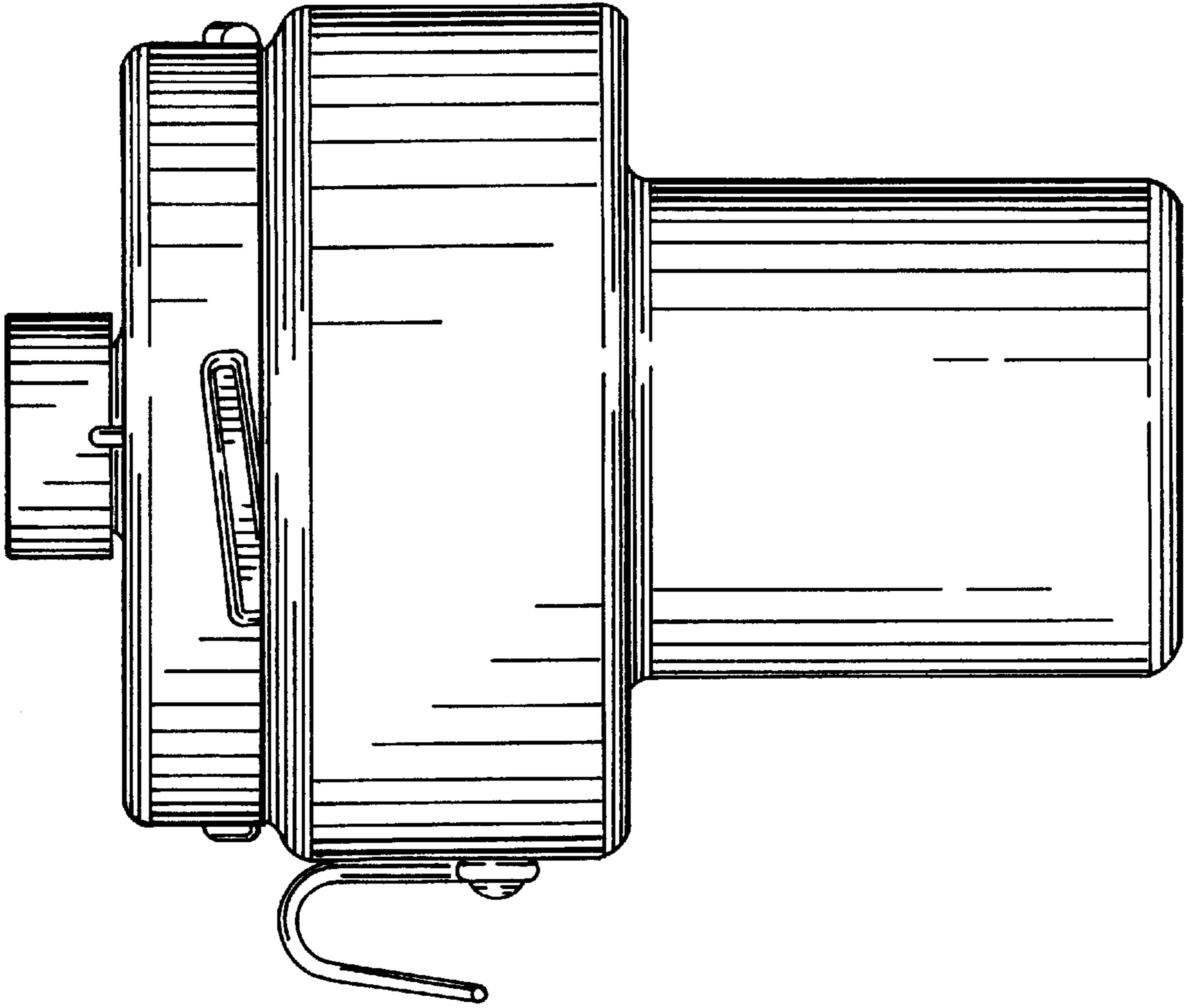


FIG. 4

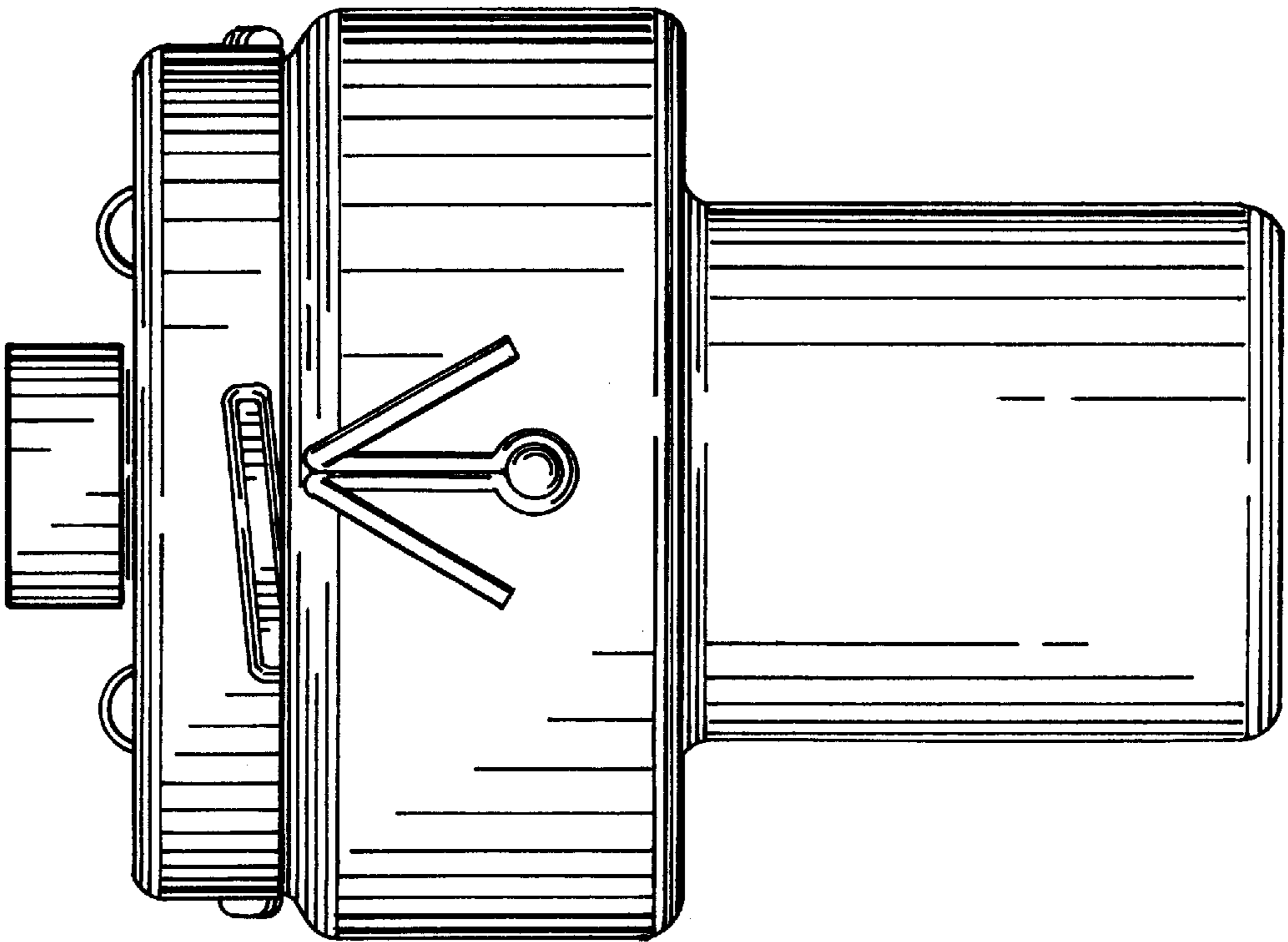


FIG. 3

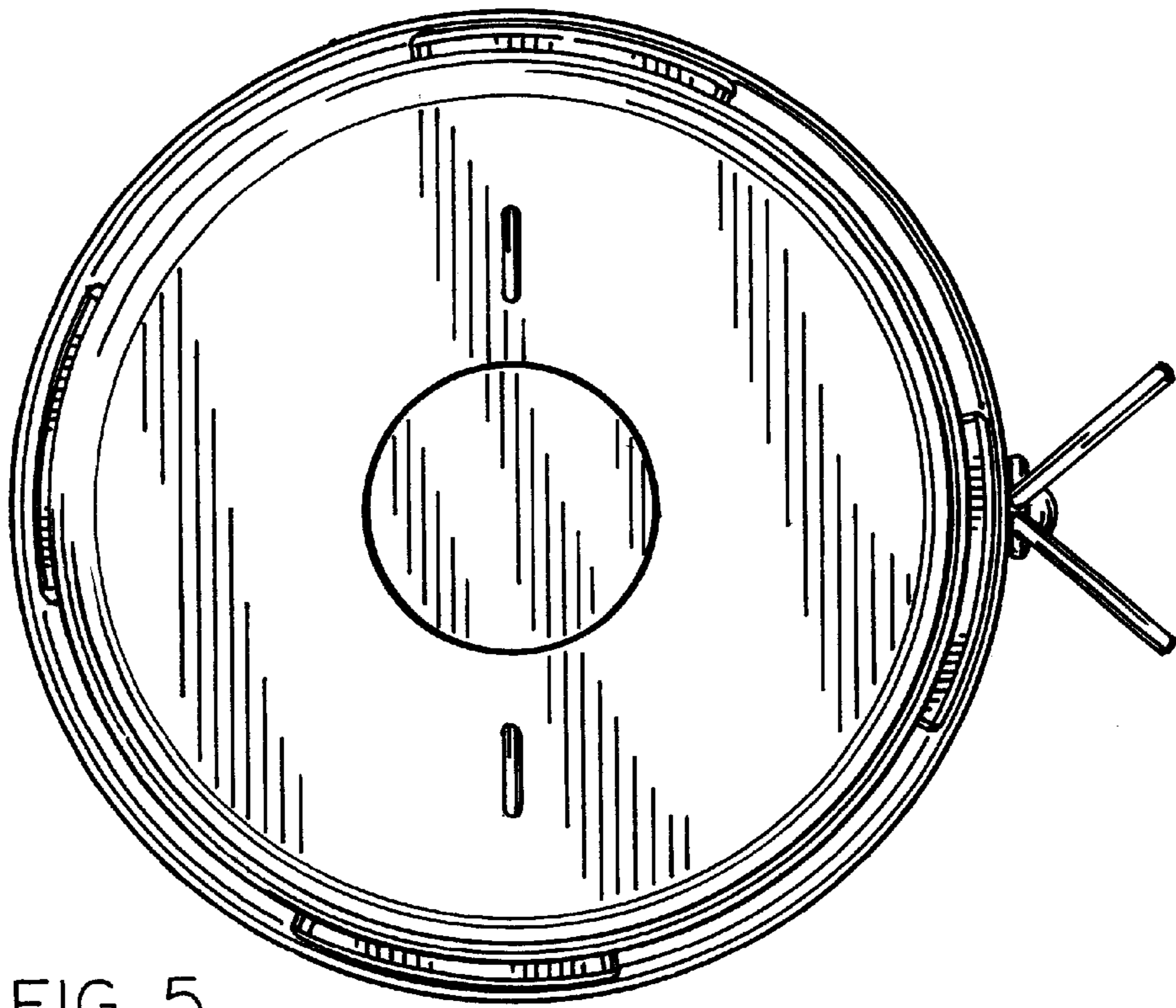


FIG. 5

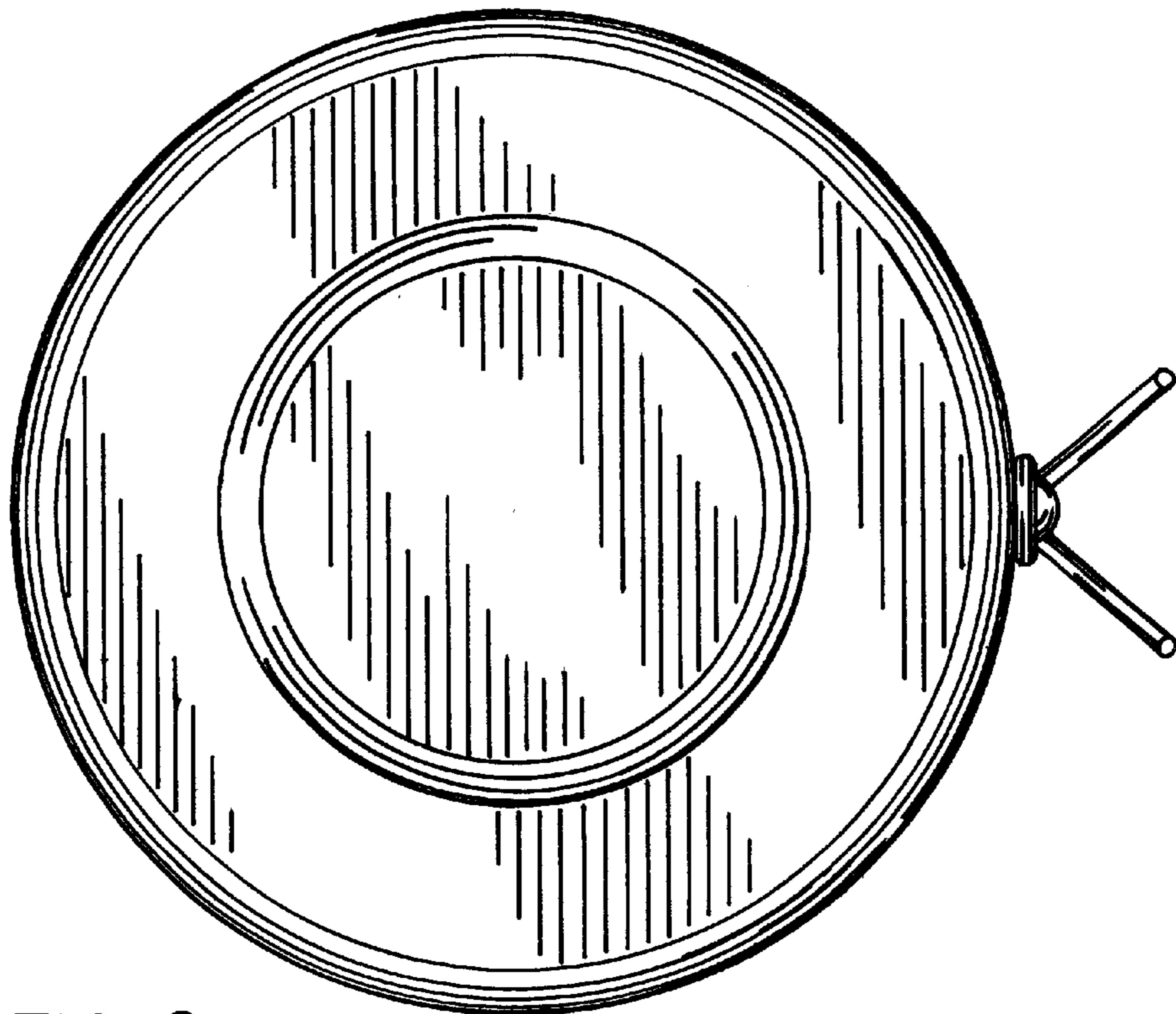


FIG. 6

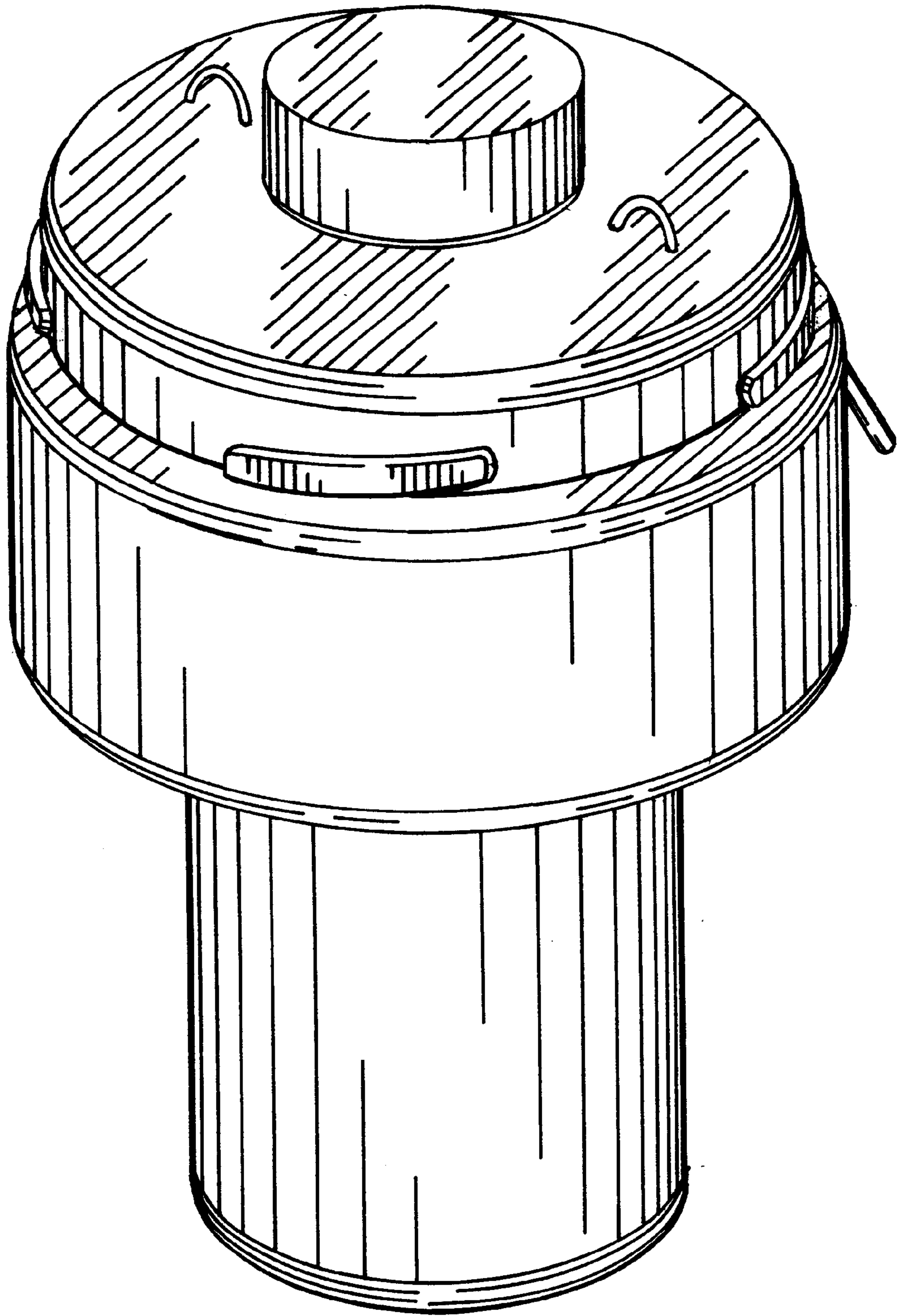


FIG. 7