



US00D482750S

(12) **United States Design Patent**  
**Magerer et al.**

(10) **Patent No.:** **US D482,750 S**

(45) **Date of Patent:** **\*\* Nov. 25, 2003**

- (54) **ROLLER SHOE CHASSIS**
- (75) Inventors: **Detlev Magerer**, Salzburg (AT); **Erwin Weitgasser**, Salzburg (AT)
- (73) Assignee: **Skechers U.S.A., Inc. II**, Manhattan Beach, CA (US)
- (\*\*) Term: **14 Years**
- (21) Appl. No.: **29/176,370**
- (22) Filed: **Feb. 21, 2003**

2,180,062 A	11/1939	Lee
2,190,316 A	2/1940	Harris
2,290,523 A	7/1942	Bauer
2,430,037 A	11/1947	Vincent
D150,401 S	8/1948	Brickson
2,474,082 A	6/1949	Wutz
2,512,906 A	6/1950	Woolley
2,531,357 A	11/1950	Foulds
2,595,751 A	5/1952	Balstad
2,669,485 A	2/1954	Newman
2,822,182 A	2/1958	Merbler
2,927,797 A	3/1960	Jones

(List continued on next page.)

- (51) **LOC (7) Cl.** ..... **21-02**
- (52) **U.S. Cl.** ..... **D21/763; D21/771**
- (58) **Field of Search** ..... **D21/760, 763-765, D21/771; 280/11.19, 11.204, 11.207, 11.208, 11.209, 11.221, 11.222, 11.231, 11.26, 11.27, 11.3**

**FOREIGN PATENT DOCUMENTS**

DE	258541	2/1912
DE	2328302 A1	3/1975
FR	2672812 A1	8/1992
GB	1498082	1/1978
GB	2029704 A	3/1980

(56) **References Cited**  
**U.S. PATENT DOCUMENTS**

138,018 A	4/1873	Gregg
301,676 A	7/1884	Clark
329,583 A	11/1885	Miller
657,790 A	9/1900	Ross
882,782 A	3/1908	Hruby
882,999 A	3/1908	Copenhaver
1,066,842 A	7/1913	Post
1,144,134 A	6/1915	Jones
1,194,102 A	8/1916	Webb
1,211,557 A	1/1917	Dore
1,228,111 A	5/1917	Hardy
1,276,212 A	8/1918	Hardy
1,345,848 A	7/1920	Hardy
1,346,218 A	7/1920	Lee
1,393,813 A	10/1921	Muck
1,632,997 A	6/1927	Connolly
D81,773 S	8/1930	Brinkman
1,854,188 A	4/1932	Gregory
1,910,193 A	5/1933	Ware
2,015,569 A	9/1935	Pomeroy
2,021,435 A	11/1935	Smith
2,025,858 A	12/1935	Harris

*Primary Examiner*—Raphael Barkai  
(74) *Attorney, Agent, or Firm*—Marshall A. Lerner, Esq.; Finn T. Simmenssen, Esq.; Kleinberg & Lerner, LLP

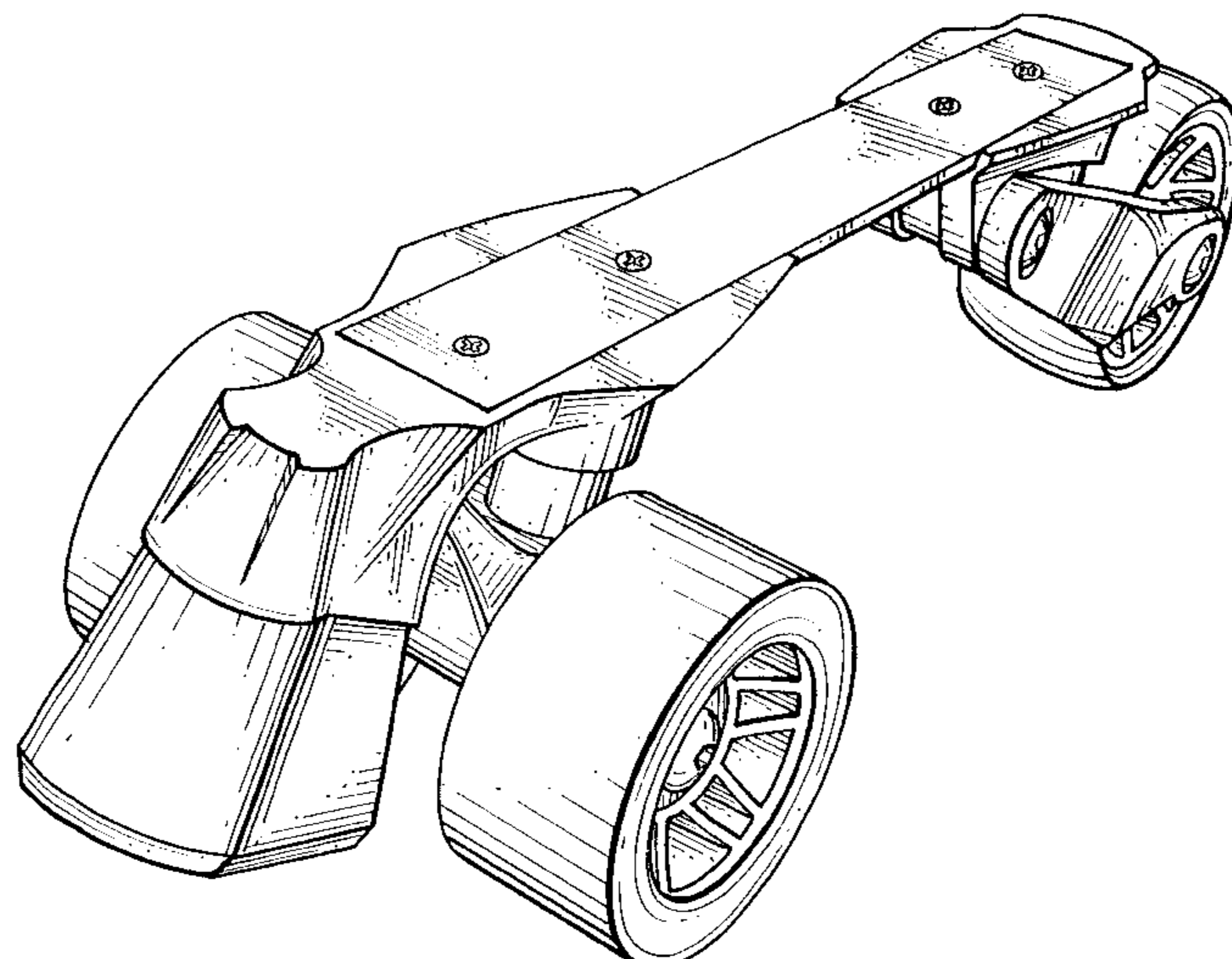
(57) **CLAIM**

The ornamental design of a roller shoe chassis, as shown and described.

**DESCRIPTION**

FIG. 1 is a perspective view of our roller shoe chassis showing our new design;  
 FIG. 2 is an elevational view of one end of said roller shoe chassis;  
 FIG. 3 is an elevational view of one side thereof;  
 FIG. 4 is an elevational view of the end of said roller shoe chassis opposite the end shown in FIG. 2;  
 FIG. 5 is an elevational view of the side of said roller shoe chassis opposite the side shown in FIG. 3;  
 FIG. 6 is a top plan view thereof; and,  
 FIG. 7 is a bottom plan view thereof.

**1 Claim, 4 Drawing Sheets**



# US D482,750 S

Page 2

## U.S. PATENT DOCUMENTS

3,086,787 A	4/1963	Wyche	D339,320 S	9/1993	Harr	
3,306,623 A	2/1967	Weitzner	5,405,156 A	4/1995	Gonella	
3,355,184 A	11/1967	Green	D359,095 S	6/1995	John	
D226,440 S	3/1973	Bentley	5,452,907 A	9/1995	Meibock	
3,738,673 A	6/1973	Iseman	5,462,295 A	10/1995	Seltzer	
3,884,485 A	5/1975	Wälle	D364,841 S	12/1995	Brannan	
D237,991 S	12/1975	Famolare	5,498,009 A	3/1996	Young	
D238,803 S	2/1976	Sessa	5,551,713 A *	9/1996	Alexander	280/11.27
3,953,041 A	4/1976	Buss	D388,145 S	12/1997	Lee	
3,993,318 A	11/1976	Rothmayer	5,709,395 A	1/1998	Lee	
4,123,076 A	10/1978	Passoni	5,752,708 A	5/1998	Svensson	
4,168,842 A	9/1979	Kimmell	5,967,530 A	10/1999	Chung	
4,262,918 A	4/1981	Sandino	6,116,620 A	9/2000	Gabrielli	
4,272,091 A	6/1981	Reid, Jr.	D433,088 S	10/2000	Galy	
D262,130 S	12/1981	Yoshimoto	D448,826 S	10/2001	Galy	
4,328,627 A	5/1982	Sanders	6,308,965 B1	10/2001	Yang	
4,357,028 A	11/1982	Hsieh	D450,650 S	11/2001	Cinibulk	
4,363,494 A	12/1982	Klawitter	6,398,229 B1	6/2002	Saylor	
4,523,767 A	6/1985	Le Page	6,406,039 B1	6/2002	Chen	
4,817,974 A	4/1989	Bergeron	D459,689 S	7/2002	Heike	
D305,143 S	12/1989	Shaw	D461,441 S	8/2002	Hartanto	
4,966,377 A	10/1990	Yu	6,439,584 B1	8/2002	Lai	
D313,450 S	1/1991	Willhoft	D464,697 S *	10/2002	Yang	D21/763
D322,421 S	12/1991	Shinoda	D465,003 S *	10/2002	Ohrvall	D21/760
D326,838 S	6/1992	Julien	D466,853 S	12/2002	Maifrini	
5,143,388 A	9/1992	Chen	D467,213 S	12/2002	Pfeiffer	
D330,883 S	11/1992	Harr	2002/0158429 A1	10/2002	Saylor	
D330,884 S	11/1992	Harr	2003/0020244 A1	1/2003	Sung	
5,184,834 A	2/1993	Yu				

\* cited by examiner

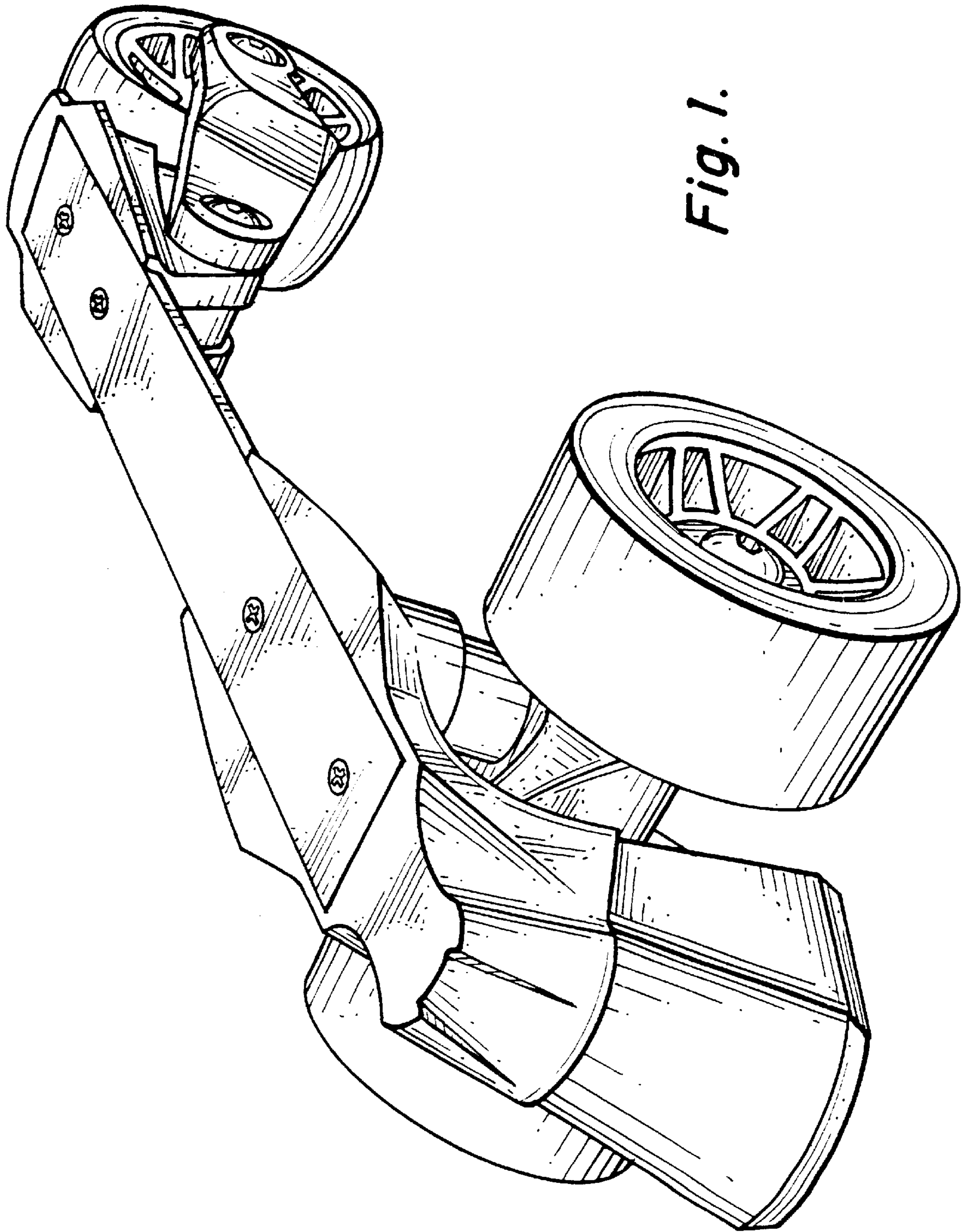
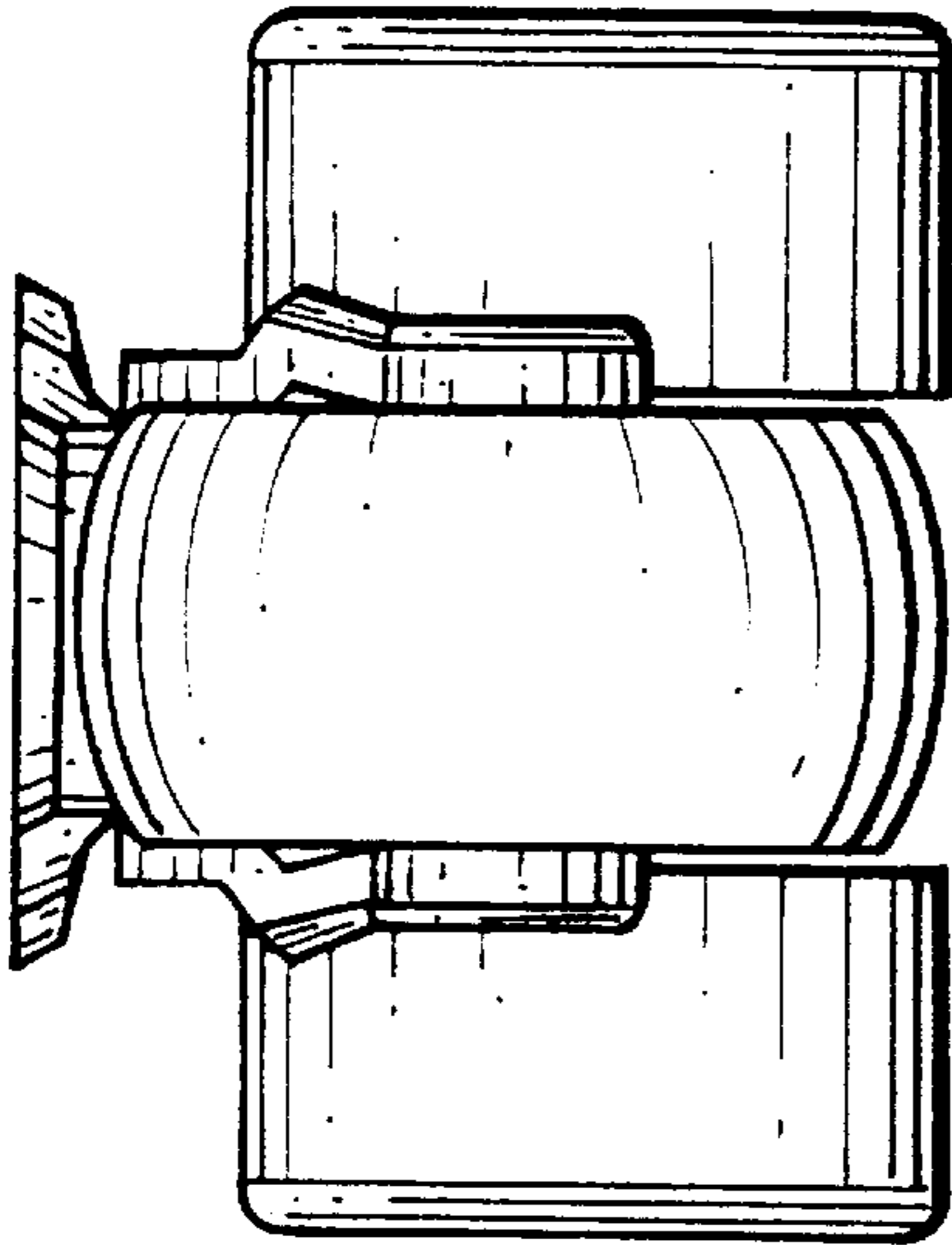
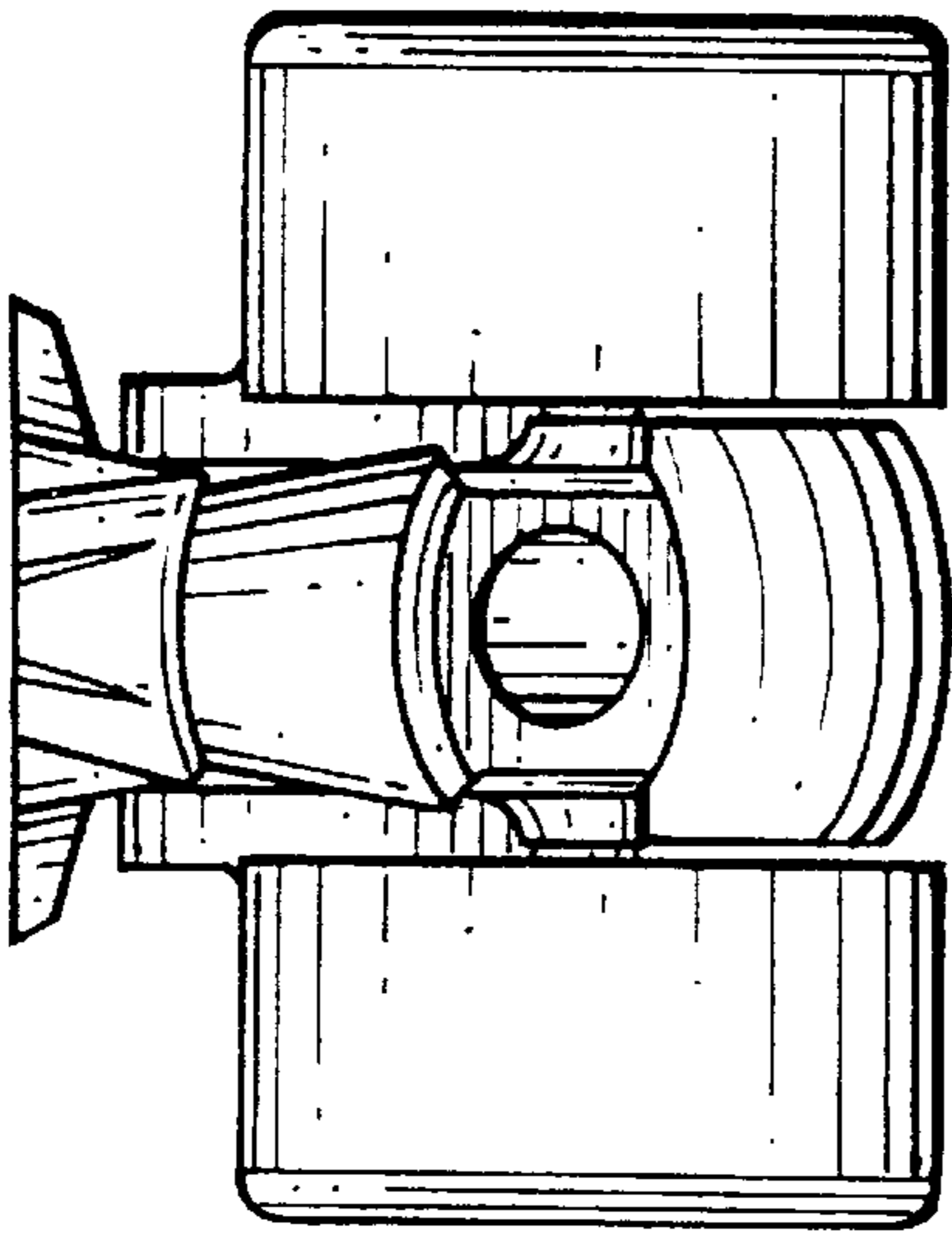


Fig. 1.



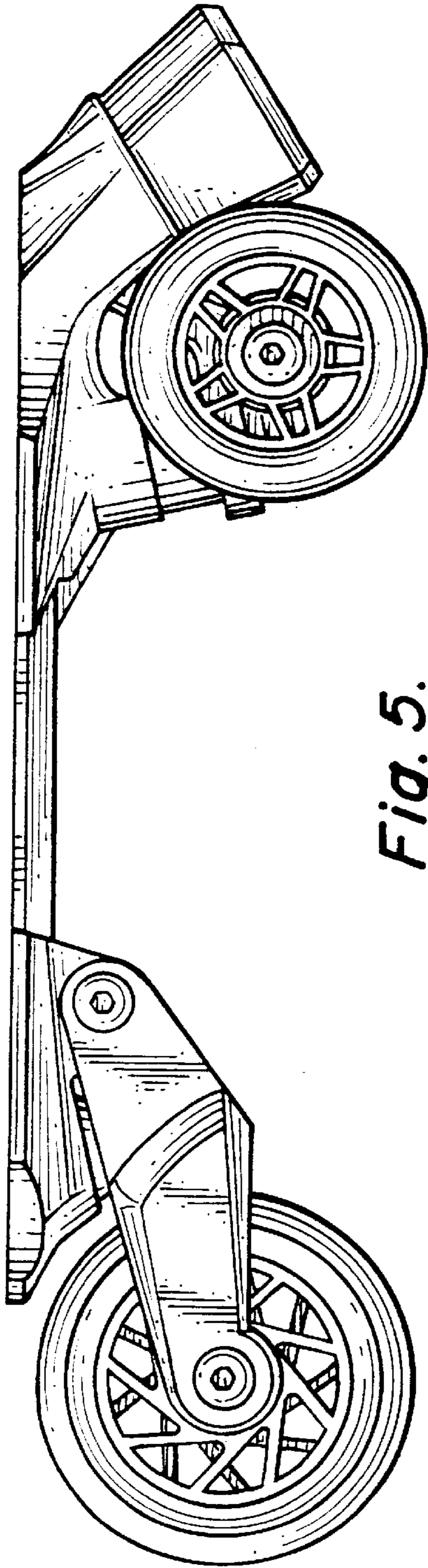
*Fig. 4.*



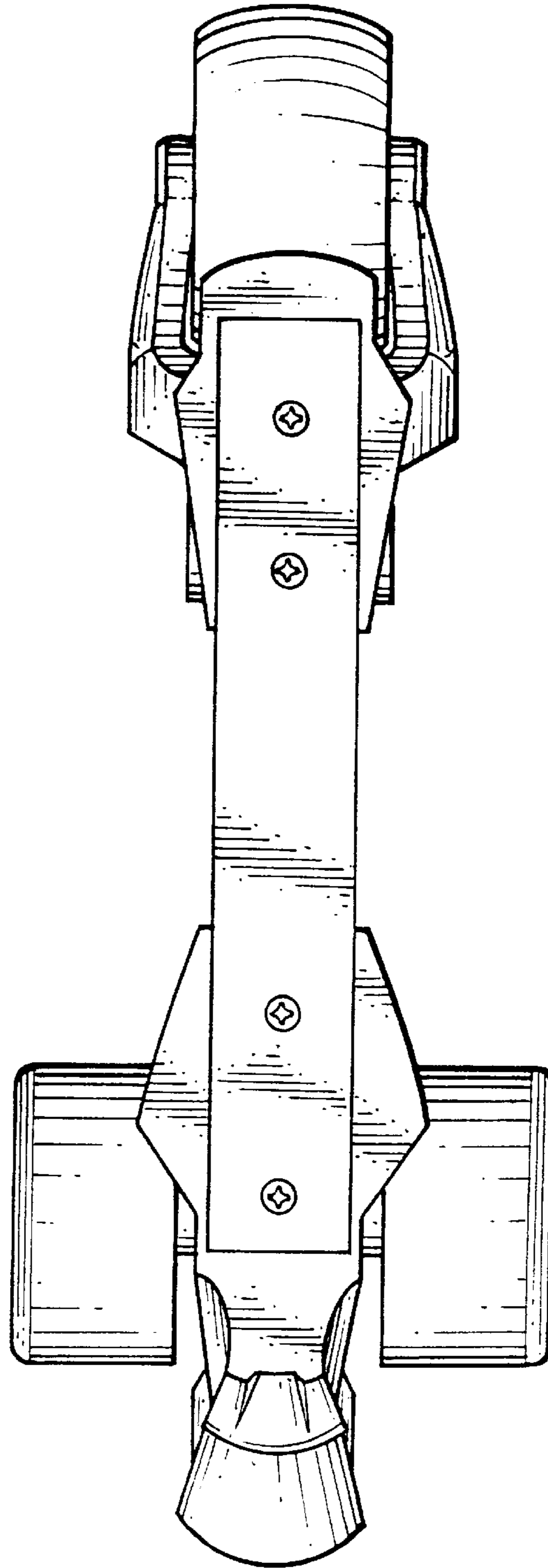
*Fig. 2.*



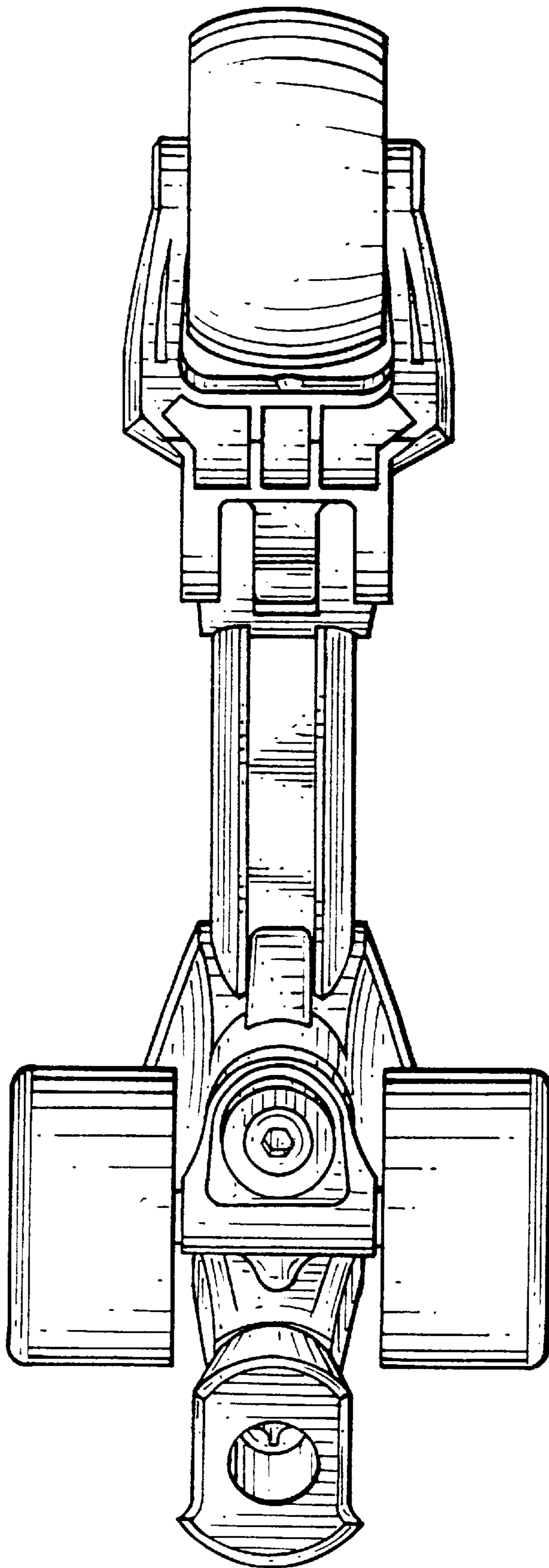
*Fig. 3.*



*Fig. 5.*



*Fig. 6.*



*Fig. 7.*