



US00D482749S

(12) **United States Design Patent**
Gumpel

(10) **Patent No.:** **US D482,749 S**

(45) **Date of Patent:** **** Nov. 25, 2003**

(54) **BASEBALL BAT**

D426,598 S * 6/2000 Kim D21/725

(76) Inventor: **Julian Gumpel**, 43 Flower La., Roslyn Heights, NY (US) 11577

* cited by examiner

(**) Term: **14 Years**

Primary Examiner—Mitchell Siegel

(74) *Attorney, Agent, or Firm*—Terry M. Gernstein

(21) Appl. No.: **29/171,423**

(57) **CLAIM**

(22) Filed: **Nov. 22, 2002**

I claim the ornamental design for a baseball bat, as shown and described.

(51) **LOC (7) Cl.** **21-02**

DESCRIPTION

(52) **U.S. Cl.** **D21/725**

FIG. 1 is a perspective view of the baseball bat embodying the design of the present invention.

(58) **Field of Search** D21/725; 473/564-568

FIG. 2 is a front elevational view thereof, the rear being identical to the front.

(56) **References Cited**

U.S. PATENT DOCUMENTS

400,354 A *	3/1889	Morris	473/564
2,340,156 A *	1/1944	Taylor et al.	473/566
4,343,467 A *	8/1982	Newcomb et al.	473/567
D310,114 S *	8/1990	Catherall	D21/725
5,150,897 A *	9/1992	Wortman	473/567
D399,545 S *	10/1998	Albarelli, Jr.	D21/725
6,048,283 A *	4/2000	Albarelli, Jr.	473/567

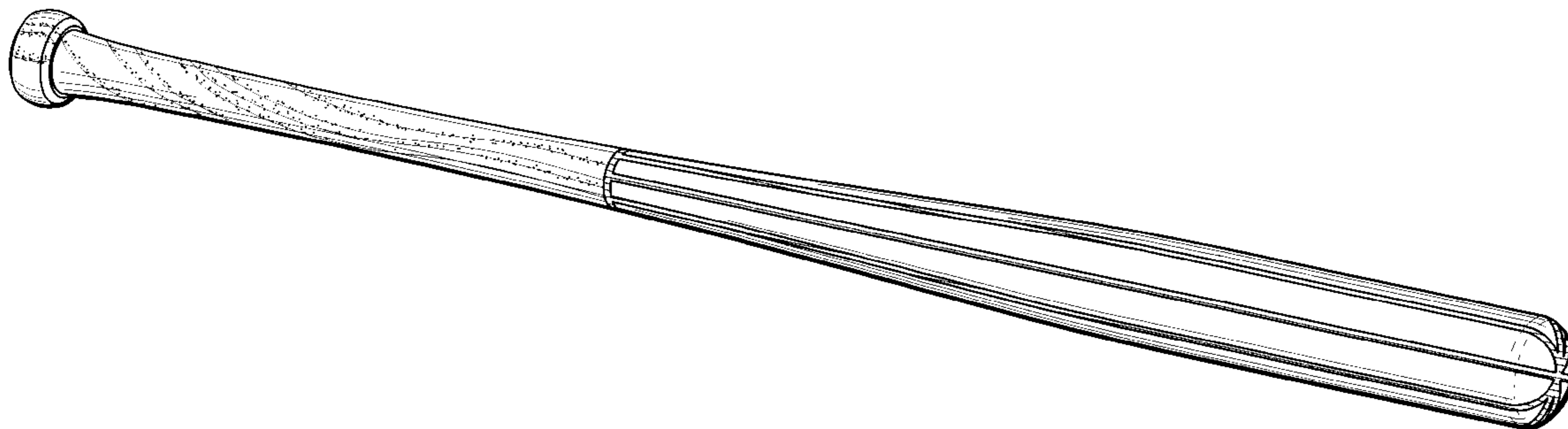
FIG. 3 is a top plan view thereof, the bottom being identical to the top shown in FIG. 3.

FIG. 4 is a left side elevational view thereof; and,

FIG. 5 is a right side elevational view thereof.

The figures have been shaded to indicate colors.

1 Claim, 2 Drawing Sheets



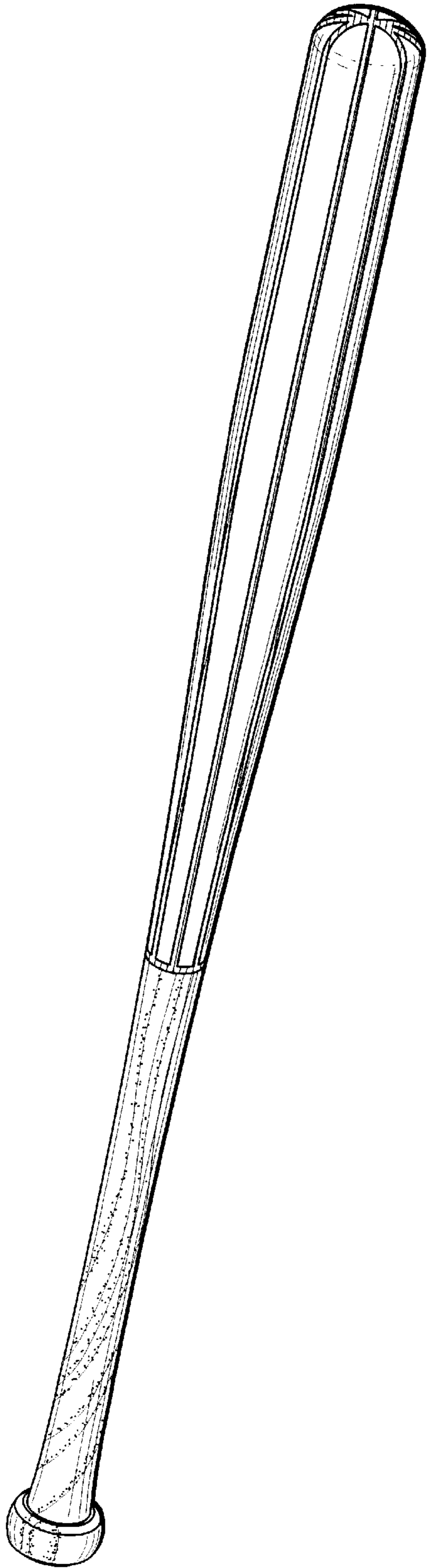


FIG. 1

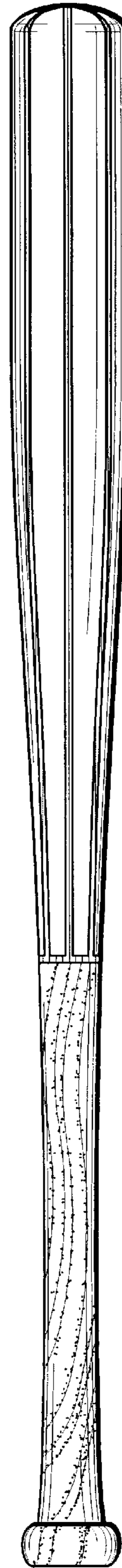


FIG. 2



FIG. 3

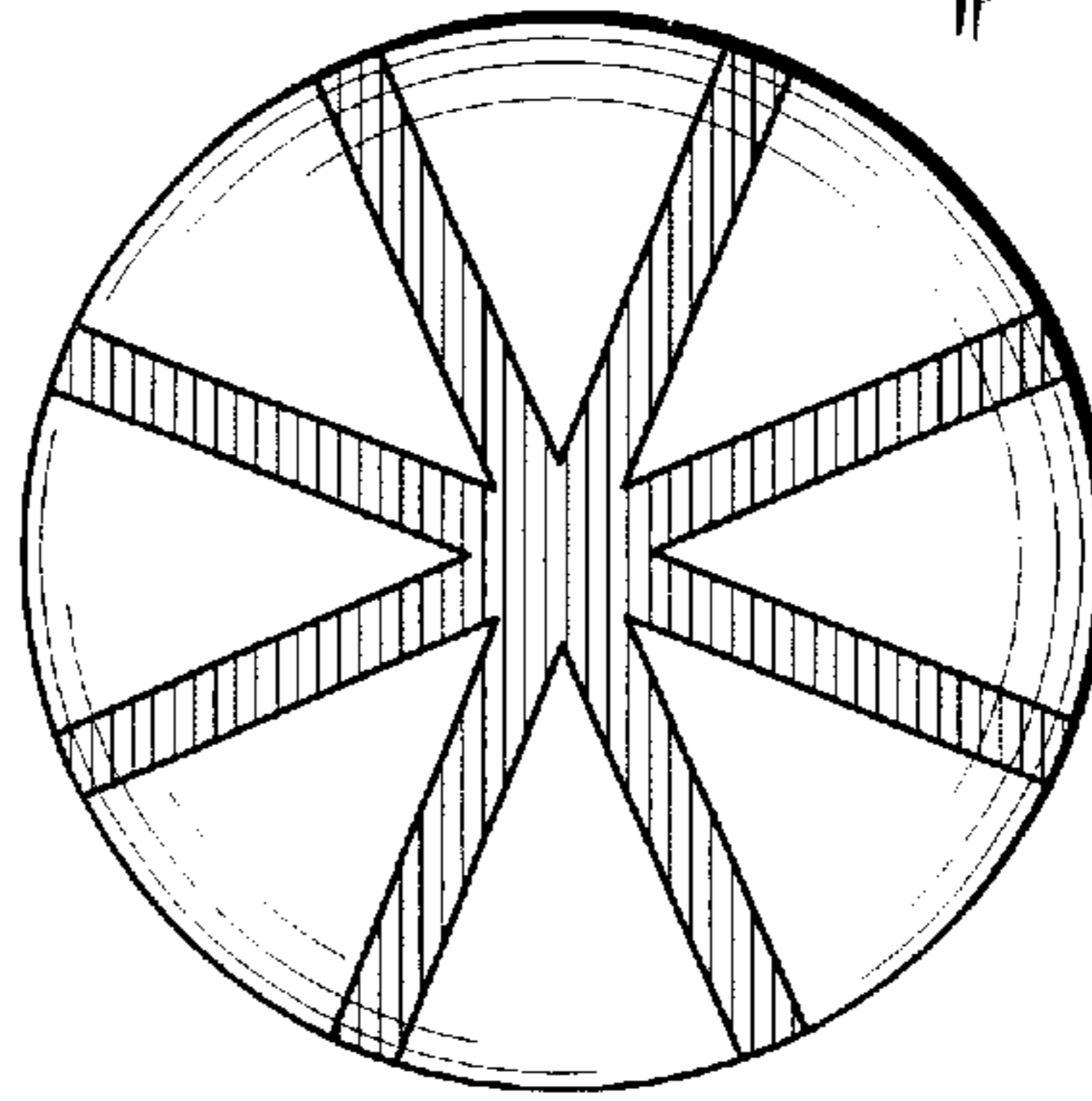


FIG. 5

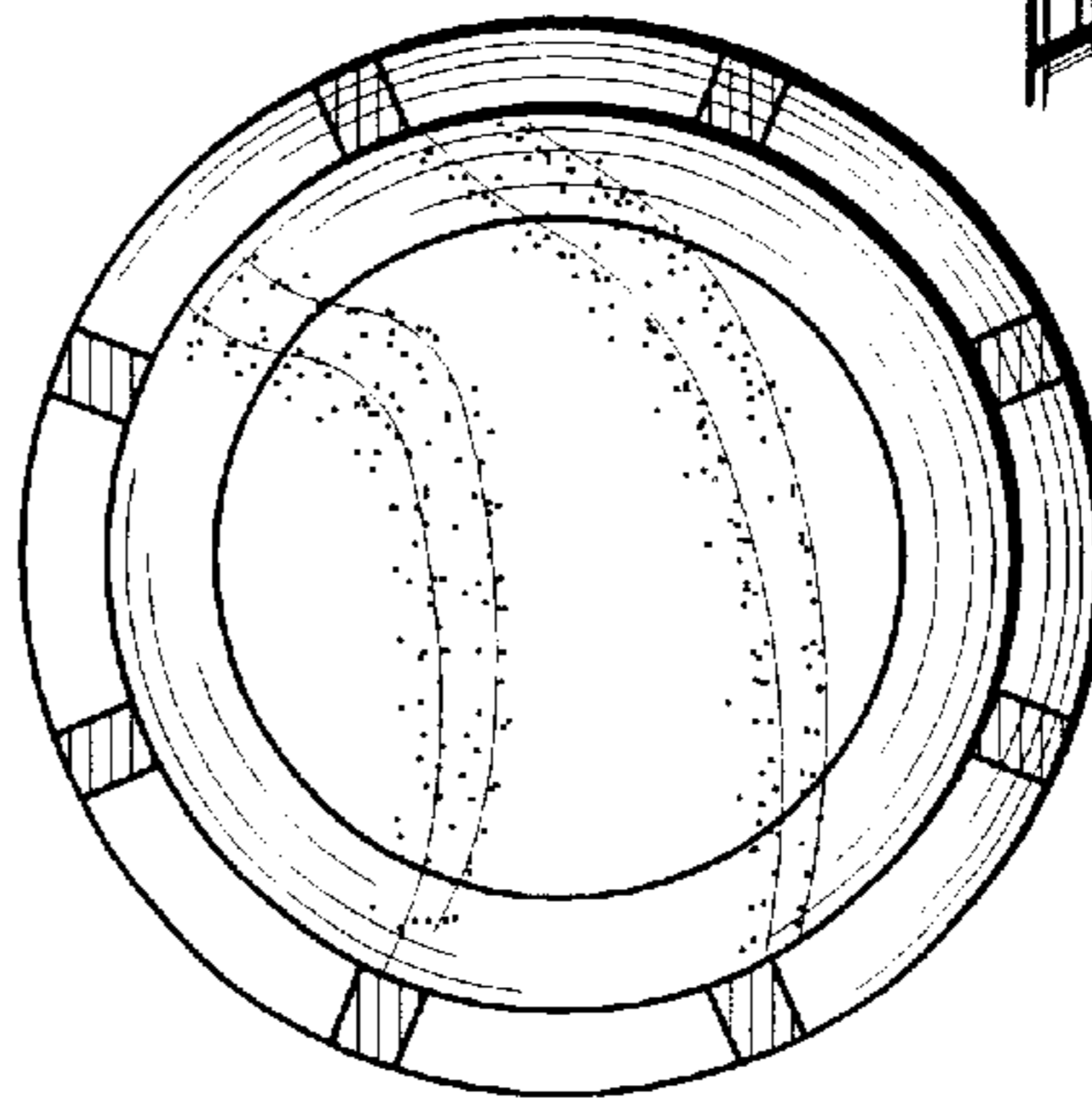


FIG. 4