



US00D482742S

(12) **United States Design Patent**  
**May et al.**

(10) **Patent No.:** **US D482,742 S**

(45) **Date of Patent:** **\*\* Nov. 25, 2003**

(54) **CAP FOR A BLOCK**

(75) Inventors: **Jerry May**, Colden, NY (US); **Robert W. Salmon**, Buffalo, NY (US); **Carol D. Snyder**, East Aurora, NY (US)

(73) Assignee: **Mattel, Inc.**, El Segundo, CA (US)

(\*\*) Term: **14 Years**

(21) Appl. No.: **29/182,046**

(22) Filed: **May 20, 2003**

(51) **LOC (7) Cl.** ..... **21-01**

(52) **U.S. Cl.** ..... **D21/499**

(58) **Field of Search** ..... D21/484-505,  
D21/398, 468-479, 483; D25/113, 118;  
446/3, 8, 71, 75-77, 81, 85, 89-91, 97,  
102, 117, 119-128, 168, 170, 227, 236,  
243, 244, 265, 267, 297, 397, 404, 418-419;  
404/34, 19, 17, 29, 24, 27; 52/311.2, 390,  
596, 604, 609; 434/156, 159, 167, 171,  
172, 174, 188, 191, 205, 208, 403, 259

(56) **References Cited**

**U.S. PATENT DOCUMENTS**

312,420 A 2/1885 Anderson  
491,833 A 2/1893 Bowen et al.  
557,307 A 3/1896 Foster  
756,625 A 4/1904 Haefele  
D56,913 S \* 1/1921 Name not available .... D25/113

(List continued on next page.)

**FOREIGN PATENT DOCUMENTS**

DE 197 06 362 A1 8/1998  
GB 592288 9/1947  
GB 2 315 682 A 2/1998

**OTHER PUBLICATIONS**

International playthings catalog, pp. 14 and 40, 1984.\*

Lilly's Kids, p. 7, Nov. 15, 1993.\*

Fisher Price catalog, p. 29, 5/1992.\*

*Primary Examiner*—Raphael Barkai

(74) *Attorney, Agent, or Firm*—Cooley Godward LLP

(57) **CLAIM**

The ornamental design for a cap for a block, as shown and described.

**DESCRIPTION**

FIG. 1 is a perspective view of an embodiment of a cap for a block;

FIG. 2 is a front view of the cap for a block illustrated in FIG. 1;

FIG. 3 is a rear view of the cap for a block illustrated in FIG. 1;

FIG. 4 is a left side view of the cap for a block illustrated in FIG. 1;

FIG. 5 is a right side view of the cap for a block illustrated in FIG. 1;

FIG. 6 is a top view of the cap for a block illustrated in FIG. 1;

FIG. 7 is a bottom view of the cap for a block illustrated in FIG. 1;

FIG. 8 is a perspective view of an alternate embodiment of the block according to our new design;

FIG. 9 is a front view of the cap for a block illustrated in FIG. 8;

FIG. 10 is a rear view of the cap for a block illustrated in FIG. 8;

FIG. 11 is a left side view of the cap for a block illustrated in FIG. 8;

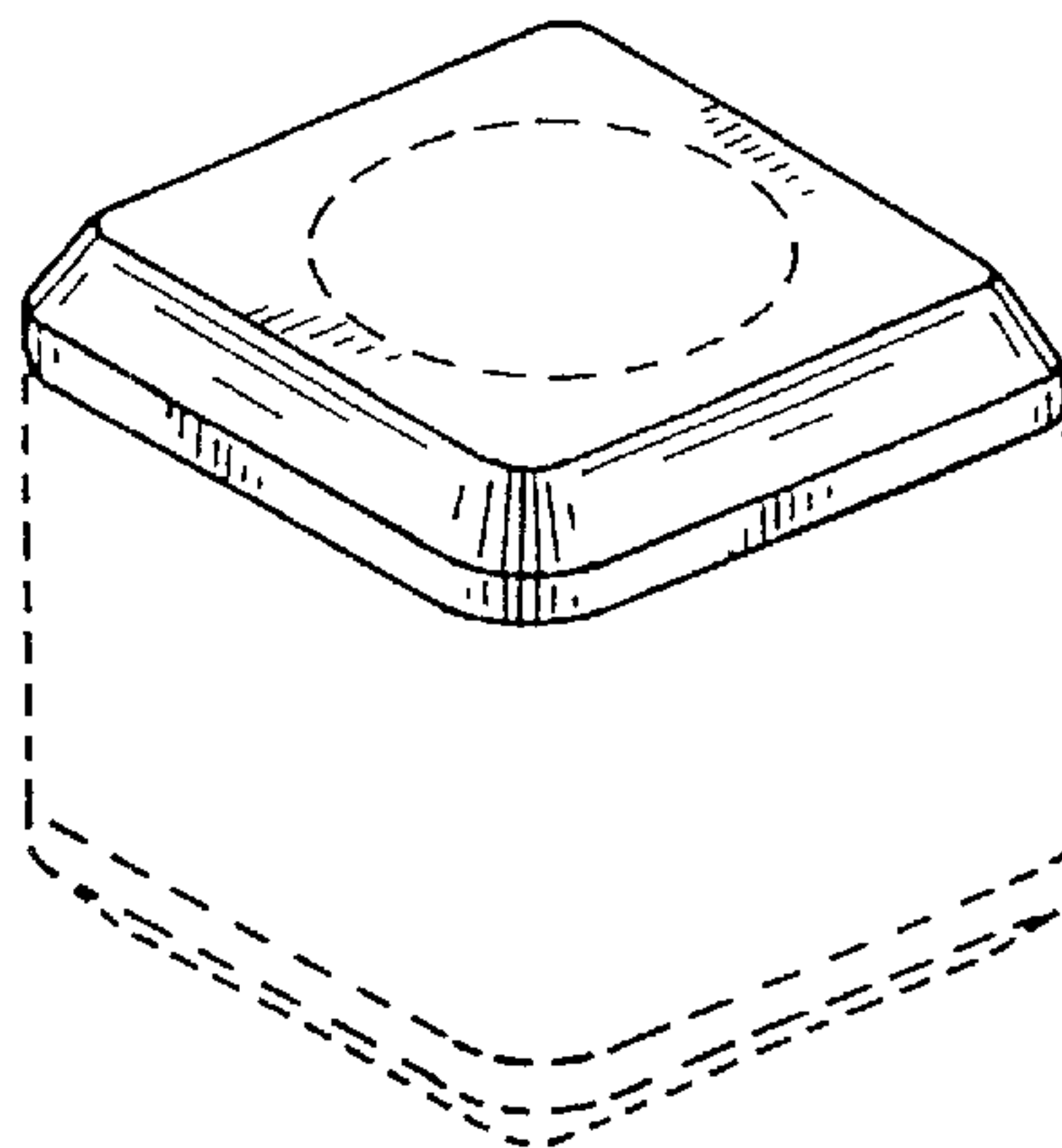
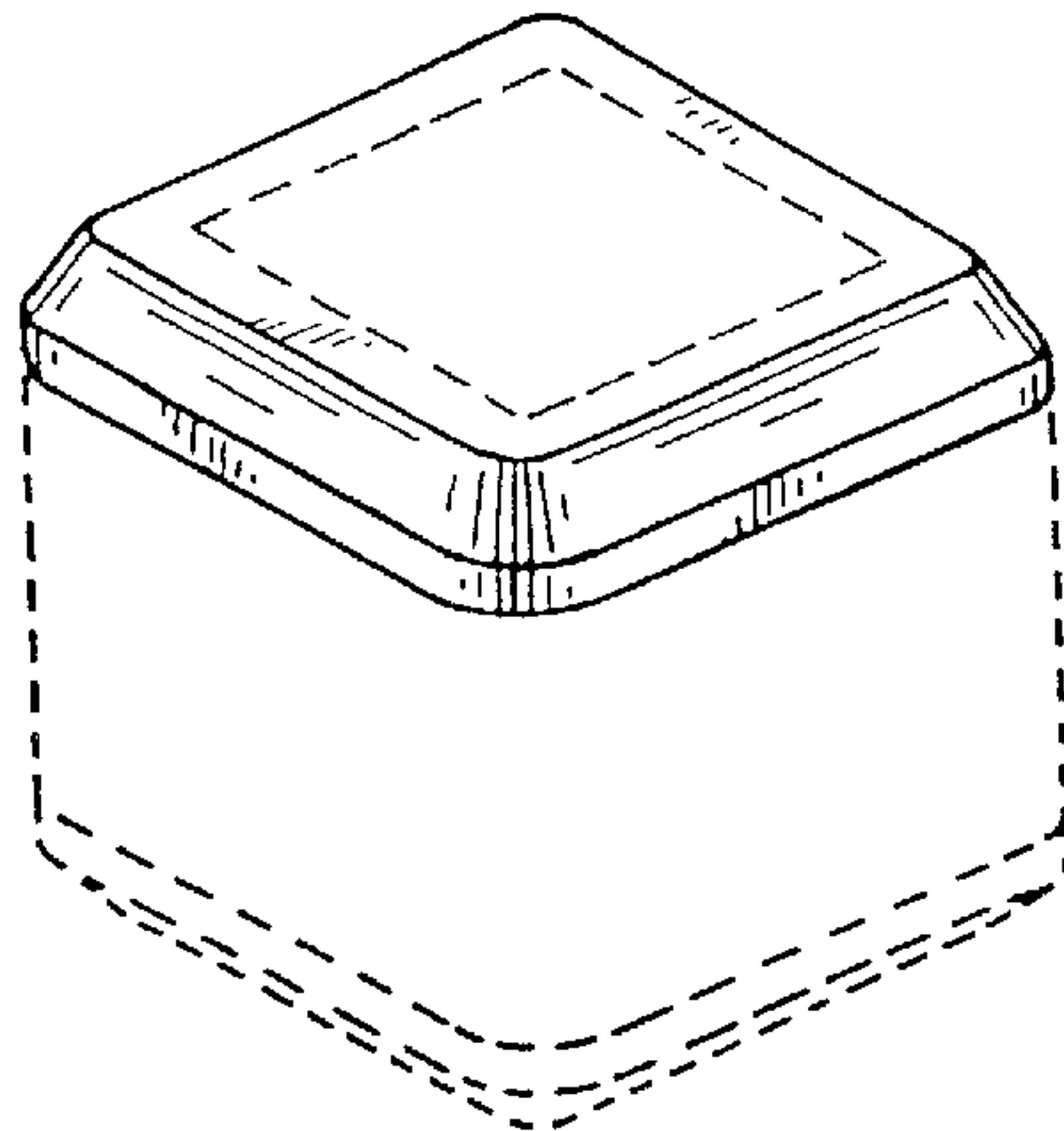
FIG. 12 is a right side view of the cap for a block illustrated in FIG. 8;

FIG. 13 is a top view of the cap for a block illustrated in FIG. 8; and,

FIG. 14 is a bottom view of the cap for a block illustrated in FIG. 8.

The portion of the article depicted in broken lines is for illustrative purposes only and forms no part of the claimed design.

**1 Claim, 2 Drawing Sheets**



# US D482,742 S

Page 2

## U.S. PATENT DOCUMENTS

1,403,196 A	1/1922	Rasely	4,846,687 A	7/1989	White et al.
1,465,637 A *	8/1923	Name not available ..... 446/117	4,861,309 A	8/1989	Williams et al.
1,586,960 A	6/1926	Bowen	4,897,066 A	1/1990	Tapdrup et al.
2,315,793 A	4/1943	Jay	4,898,560 A	2/1990	Moscovich
D141,340 S	5/1945	Greenfield	4,930,235 A	6/1990	Gillen et al.
2,440,205 A	4/1948	McLain	4,936,780 A	6/1990	Cogliano
2,467,781 A	4/1949	Ribbe	5,035,666 A	7/1991	Kang
2,492,922 A	12/1949	McLain	5,058,894 A	10/1991	Levinn et al.
2,550,270 A	4/1951	Jentzen	5,139,453 A *	8/1992	Aiken et al. .... 446/75
2,570,625 A	10/1951	Zimmerman et al.	5,152,690 A	10/1992	Todd
2,631,747 A	3/1953	Stolte	D339,615 S	9/1993	Stewart
2,644,890 A	7/1953	Hollihan	5,275,567 A	1/1994	Whitfield
2,747,297 A *	5/1956	Name not available ..... 446/419	5,292,276 A	3/1994	Manalo
2,879,685 A	3/1959	Page	5,332,605 A	7/1994	DeLamar
3,049,814 A	8/1962	McLain	5,401,200 A	3/1995	Ellis
3,224,137 A	12/1965	Wright et al.	5,417,604 A	5/1995	Rafelman et al.
3,272,506 A	9/1966	Lescher	5,458,522 A	10/1995	Brooks, III
3,460,838 A	8/1969	Greenlee	5,476,408 A	12/1995	Hoeting et al.
3,488,880 A	1/1970	Taylor	D366,704 S *	1/1996	Bryant ..... D25/113
3,518,786 A	7/1970	Holtvoigt	5,480,308 A	1/1996	Boundy et al.
3,561,146 A	2/1971	Dembar	D378,107 S *	2/1997	Bean ..... D21/494
3,564,735 A	2/1971	Fisher	5,611,721 A	3/1997	Hoeting et al.
3,596,391 A	8/1971	Knight	5,620,325 A	4/1997	Glick
3,613,265 A	10/1971	Stern et al.	D391,999 S	3/1998	Chininis
D224,287 S *	7/1972	Name not available ..... D9/520	5,782,358 A	7/1998	Walker
3,696,549 A	10/1972	Zilius	D399,542 S	10/1998	Deutsch
3,703,045 A	11/1972	Nyman	5,833,465 A	11/1998	Jarzewiak
3,760,511 A *	9/1973	Matsumoto ..... 434/259	5,884,421 A	3/1999	Key
3,774,332 A	11/1973	Schneider	5,949,010 A	9/1999	Hacker
3,842,531 A	10/1974	Sloan	6,123,599 A	9/2000	Chiang
3,982,463 A	9/1976	Waters, Jr.	6,132,281 A	10/2000	Klitsner et al.
D251,993 S	5/1979	Birdsall	6,231,345 B1	5/2001	Yamazaki et al.
4,453,719 A	6/1984	McKean	6,256,914 B1	7/2001	Yeh
D280,219 S	8/1985	Suzuki	6,271,453 B1	8/2001	Hacker
D288,370 S *	2/1987	Rinninger ..... D25/113	6,366,758 B1	4/2002	Dunn et al.
4,643,693 A	2/1987	Rubinstein	6,394,903 B1	5/2002	Lam
4,645,471 A	2/1987	Herring et al.	D464,446 S *	10/2002	Tsai ..... D25/113
4,651,613 A	3/1987	Harrison	D468,839 S *	1/2003	Bland ..... D25/113
4,667,962 A	5/1987	Ishiyama	2002/0133991 A1	9/2002	Nielson
4,778,392 A	10/1988	Mitchell			

\* cited by examiner

FIG. 1

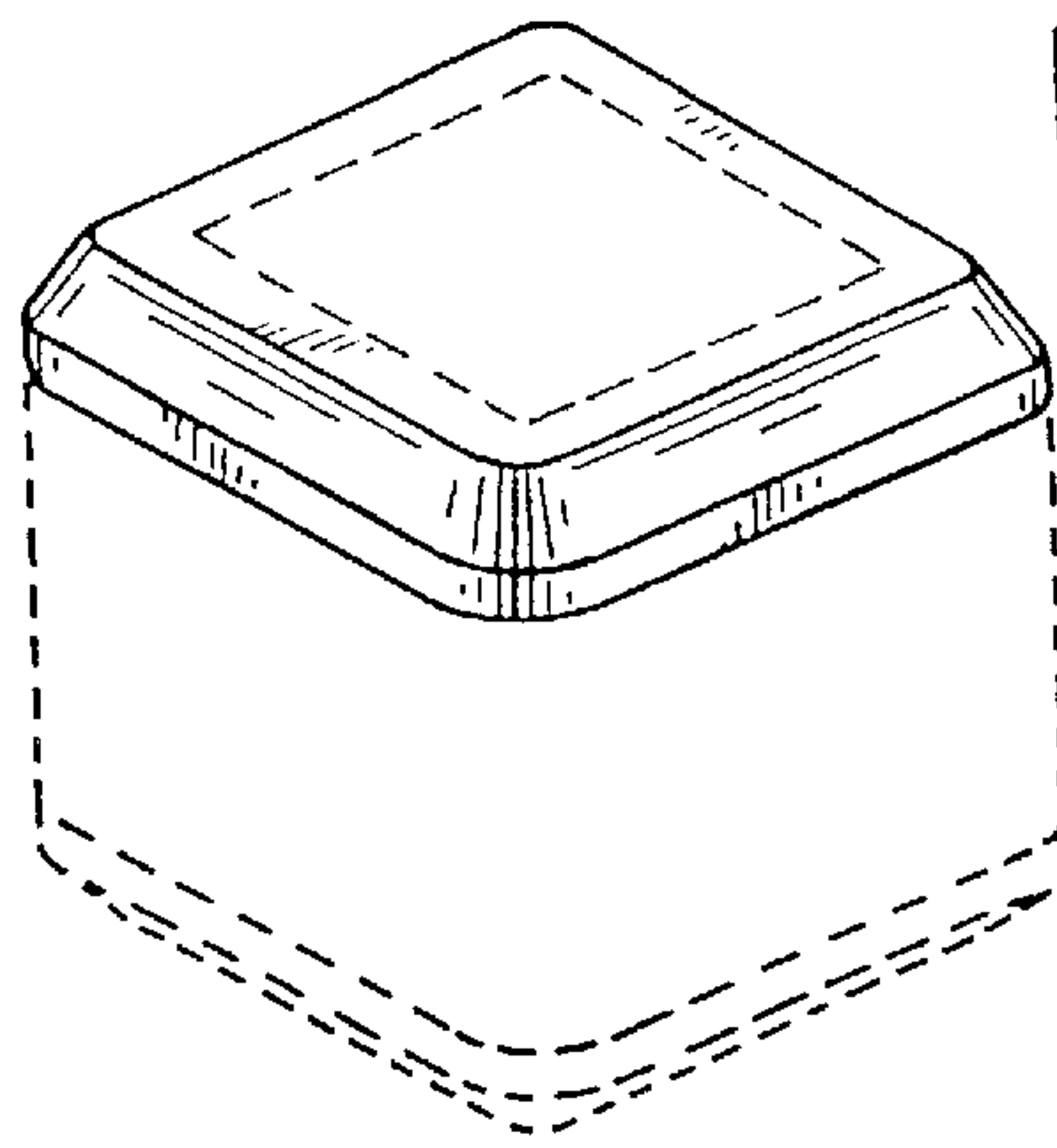


FIG. 2

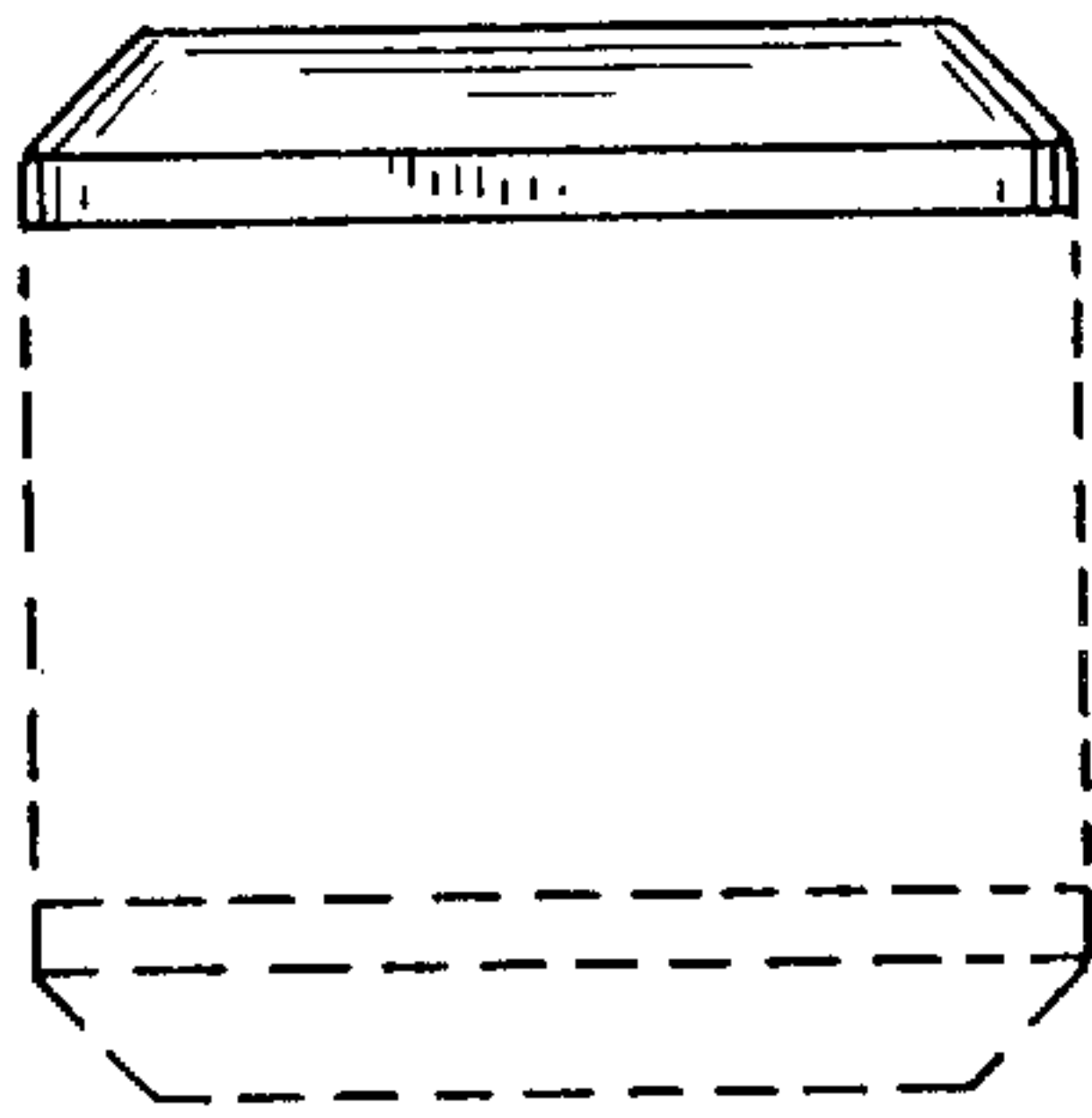


FIG. 3

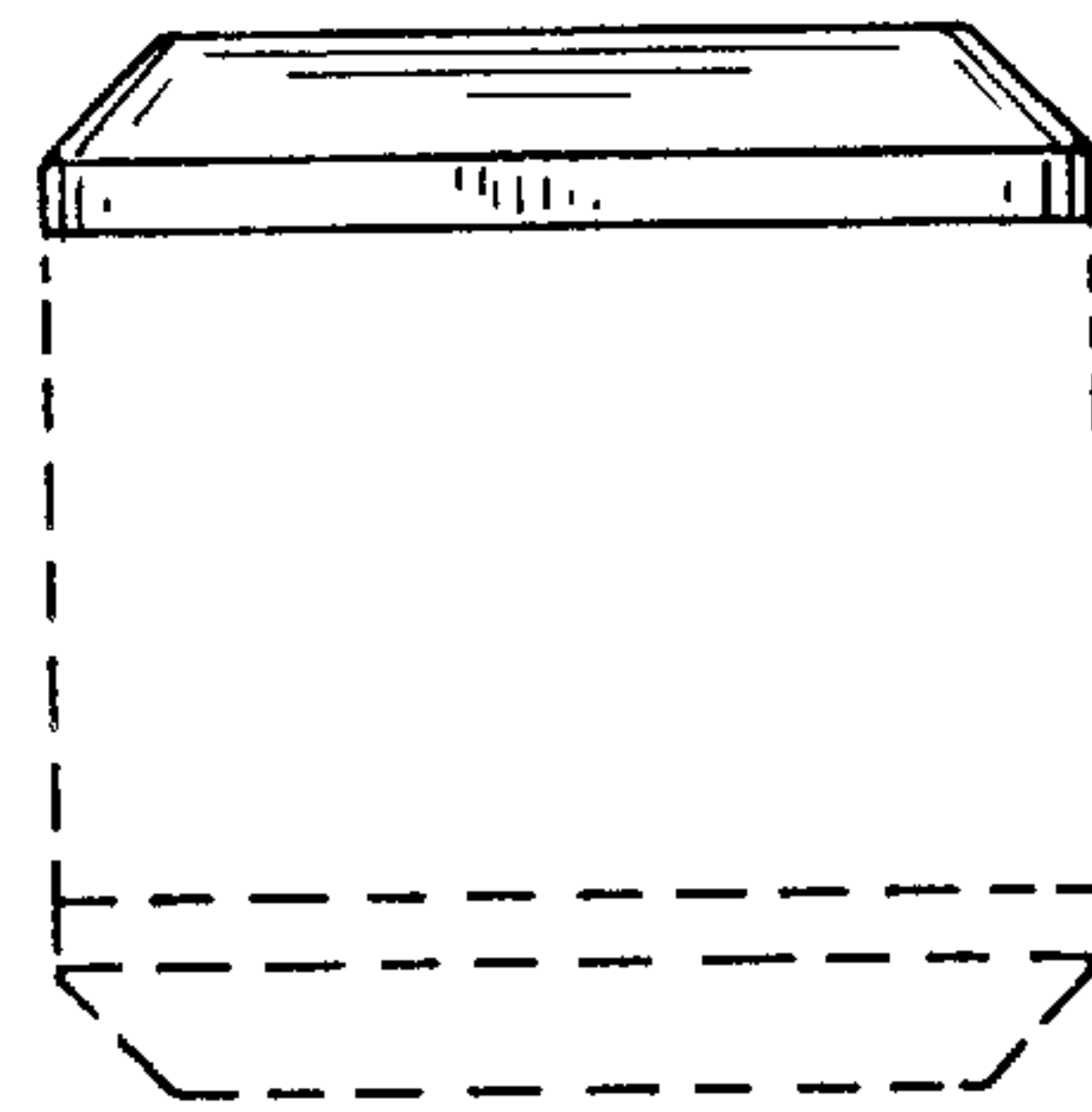


FIG. 4

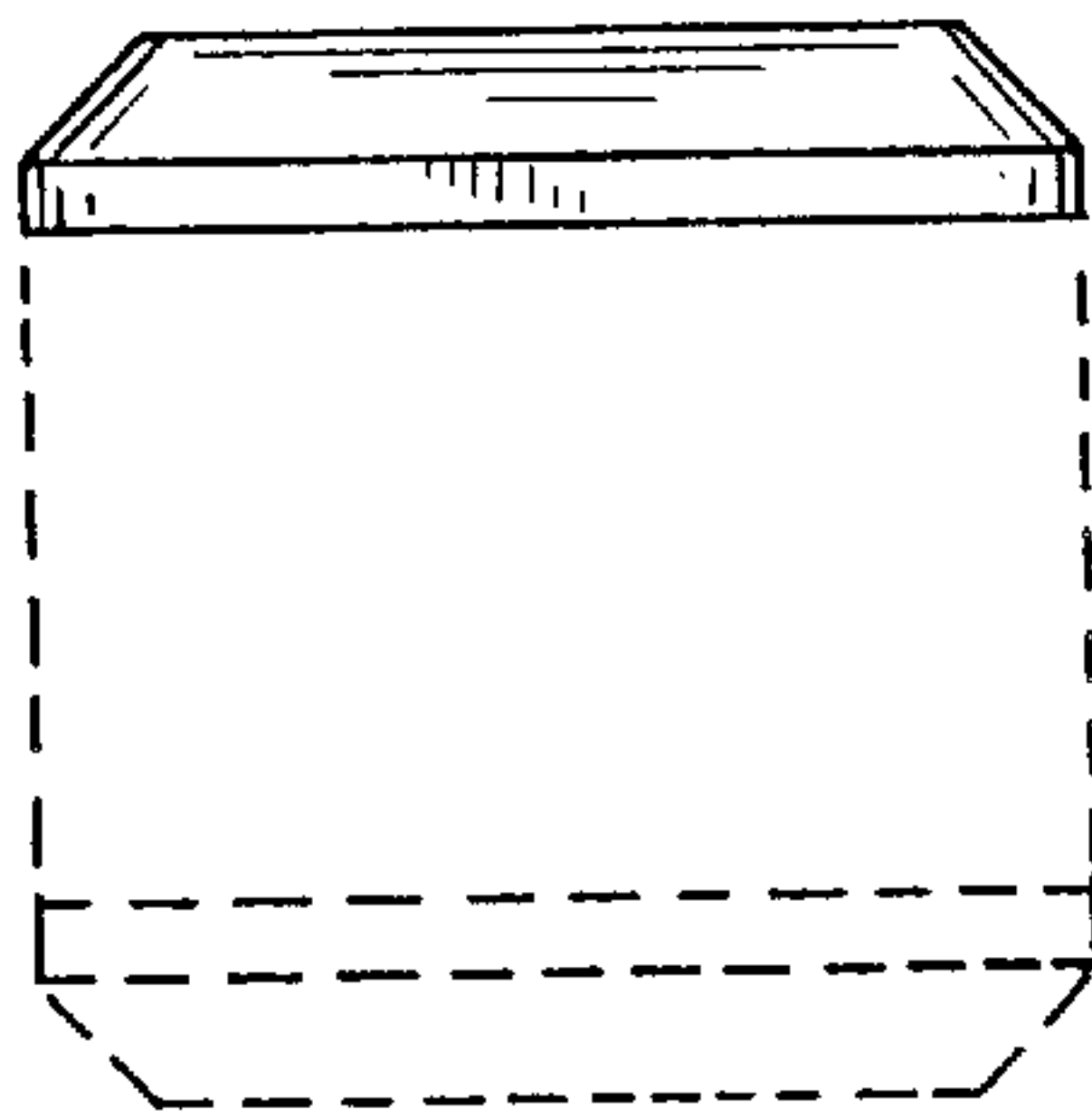


FIG. 5

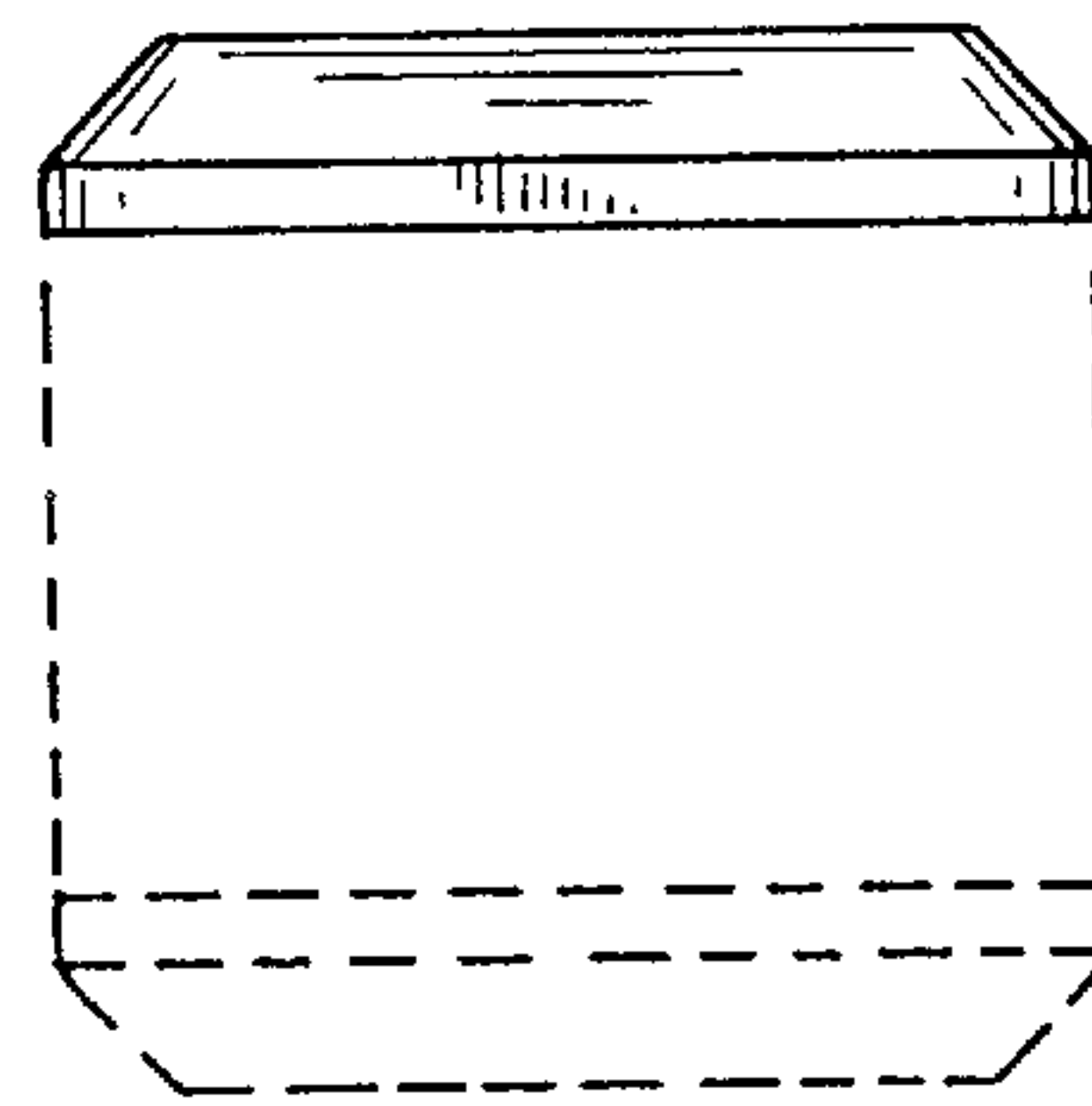


FIG. 6

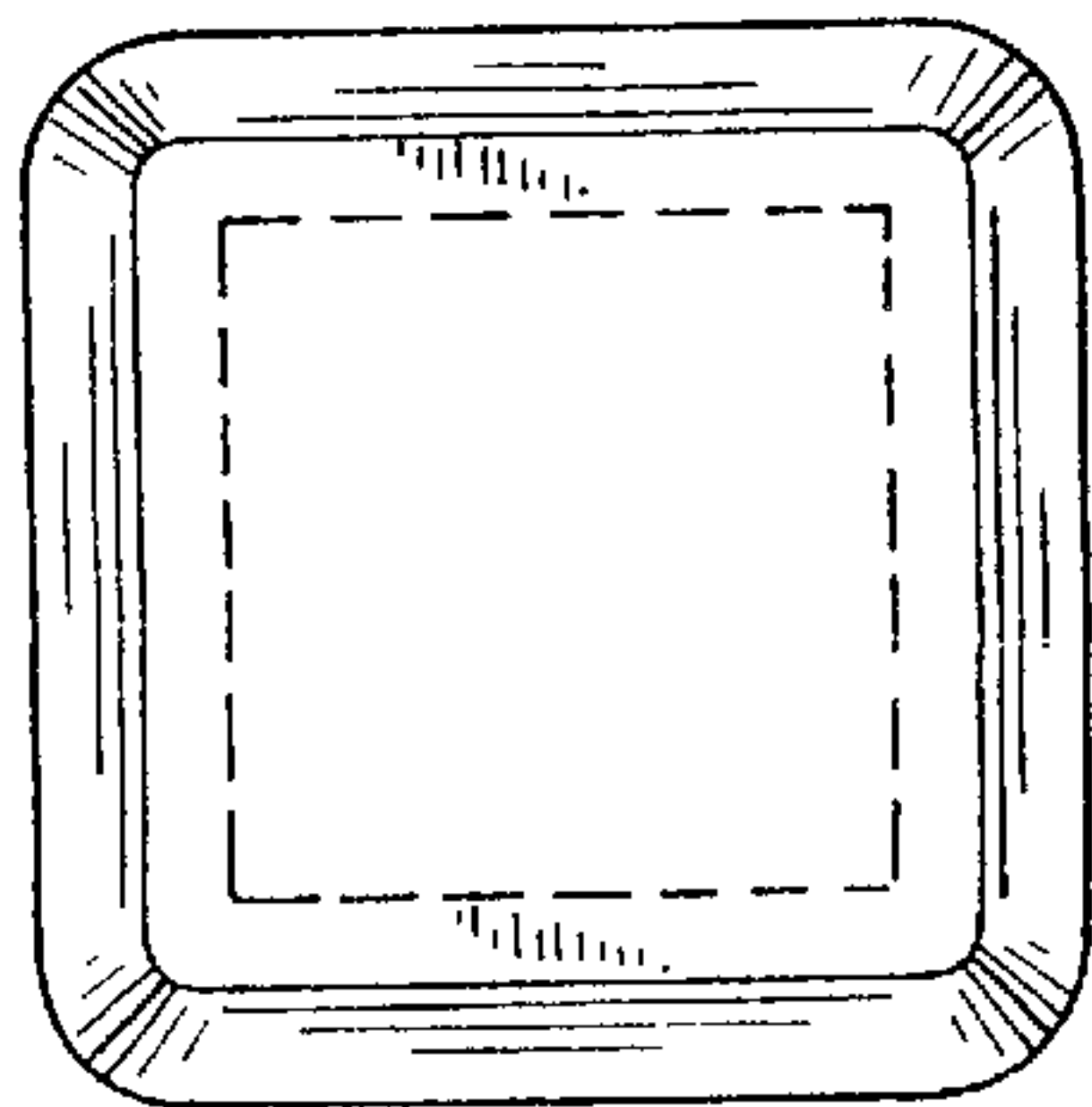
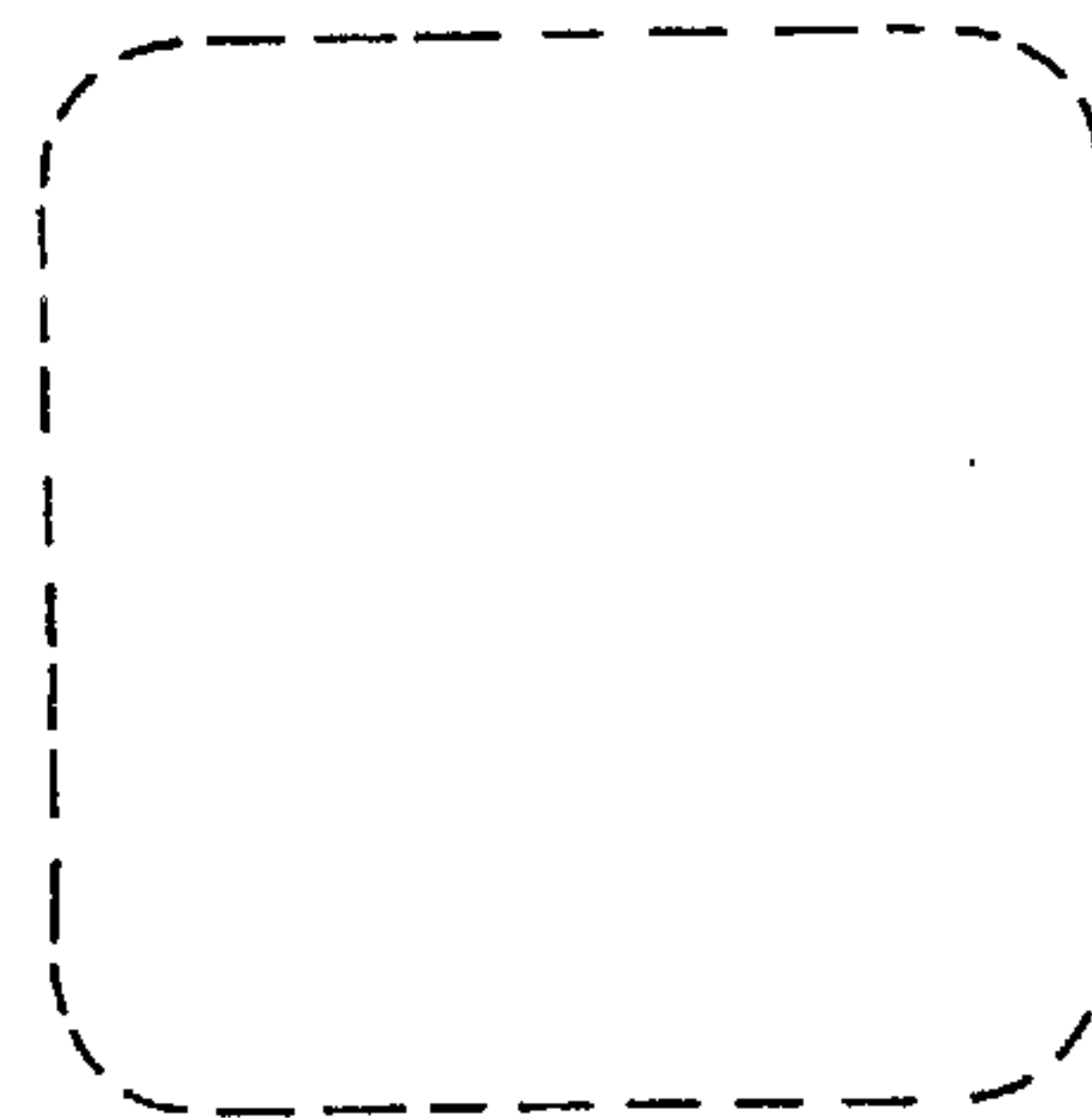


FIG. 7



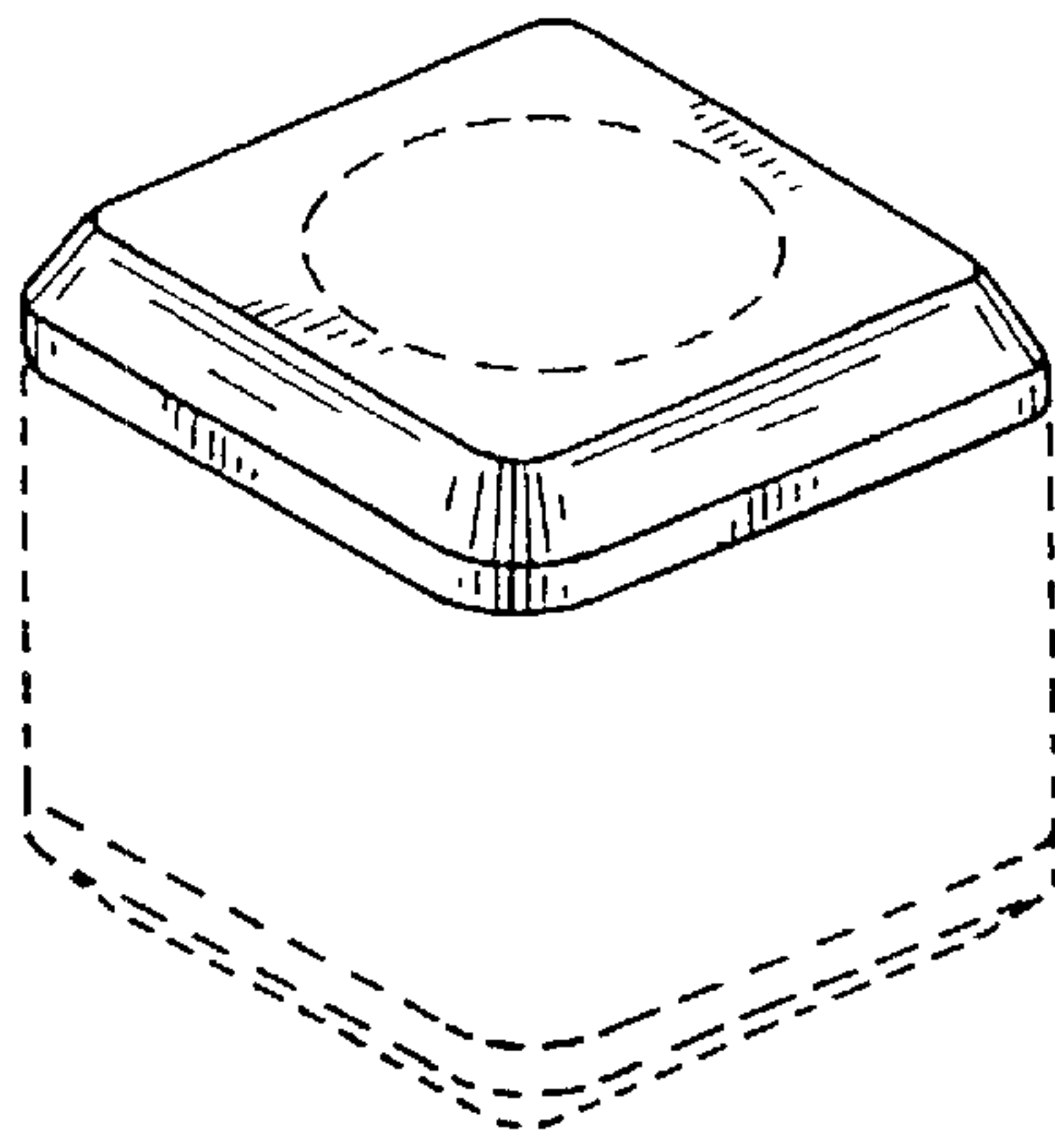


FIG. 8

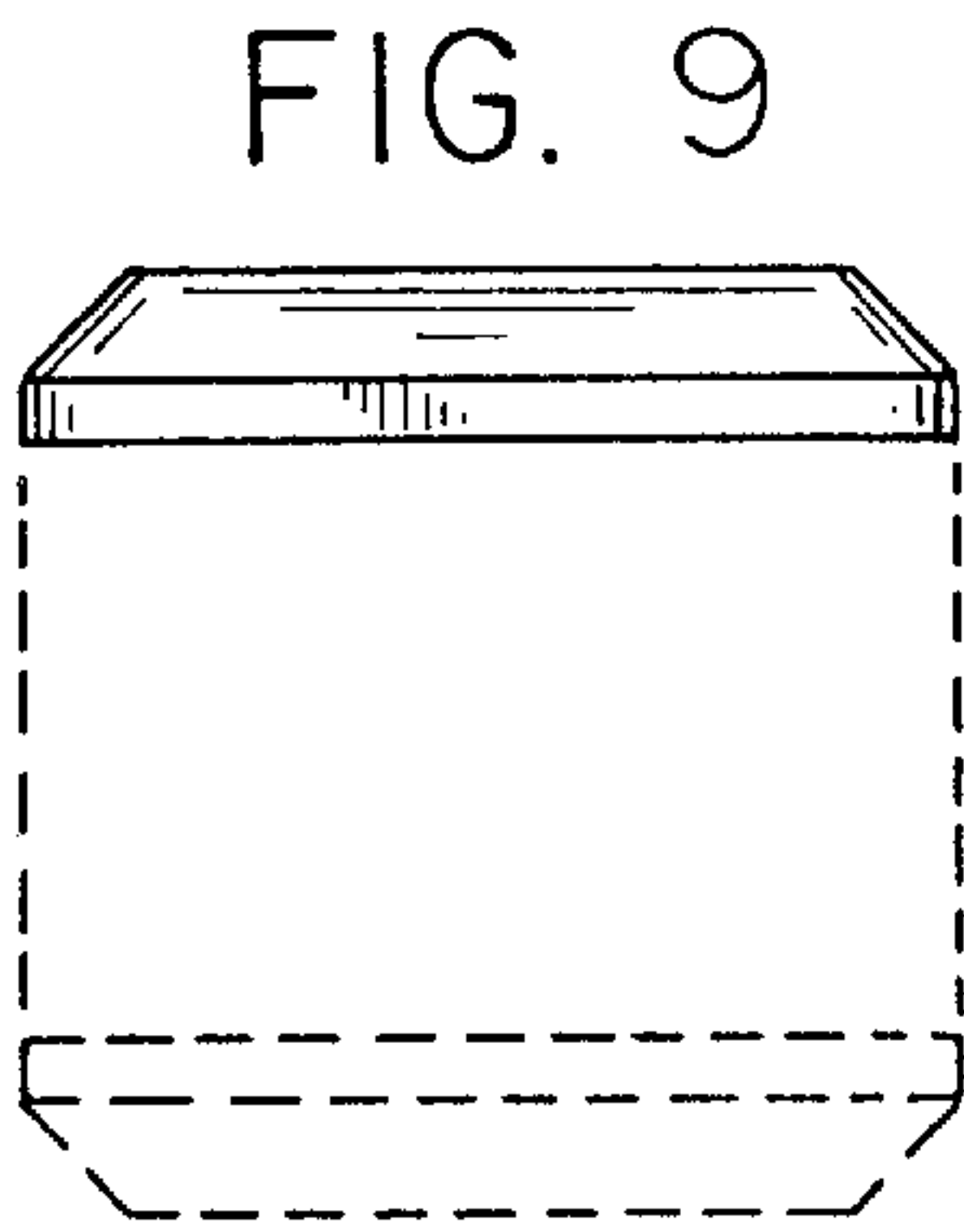


FIG. 9

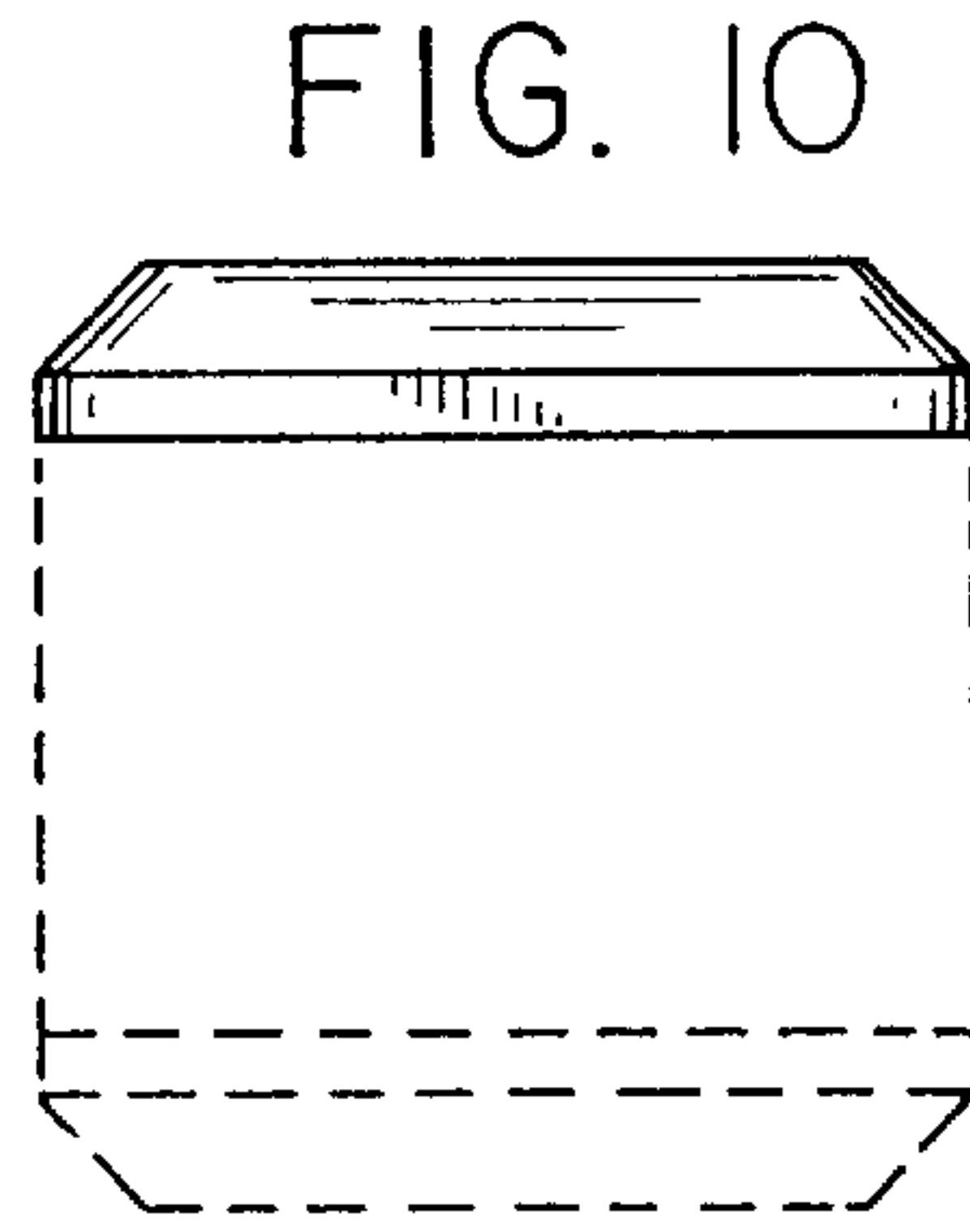


FIG. 10

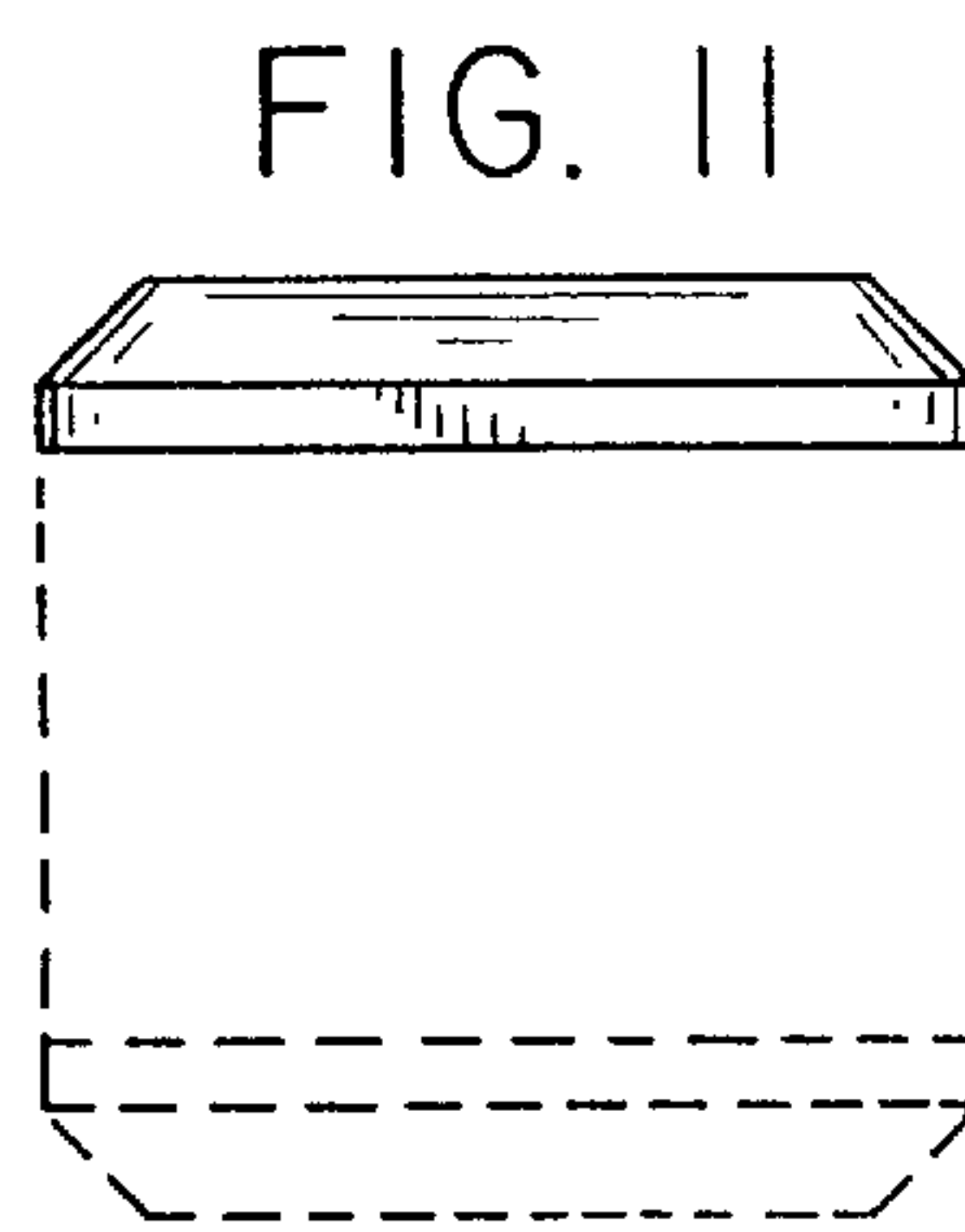


FIG. 11

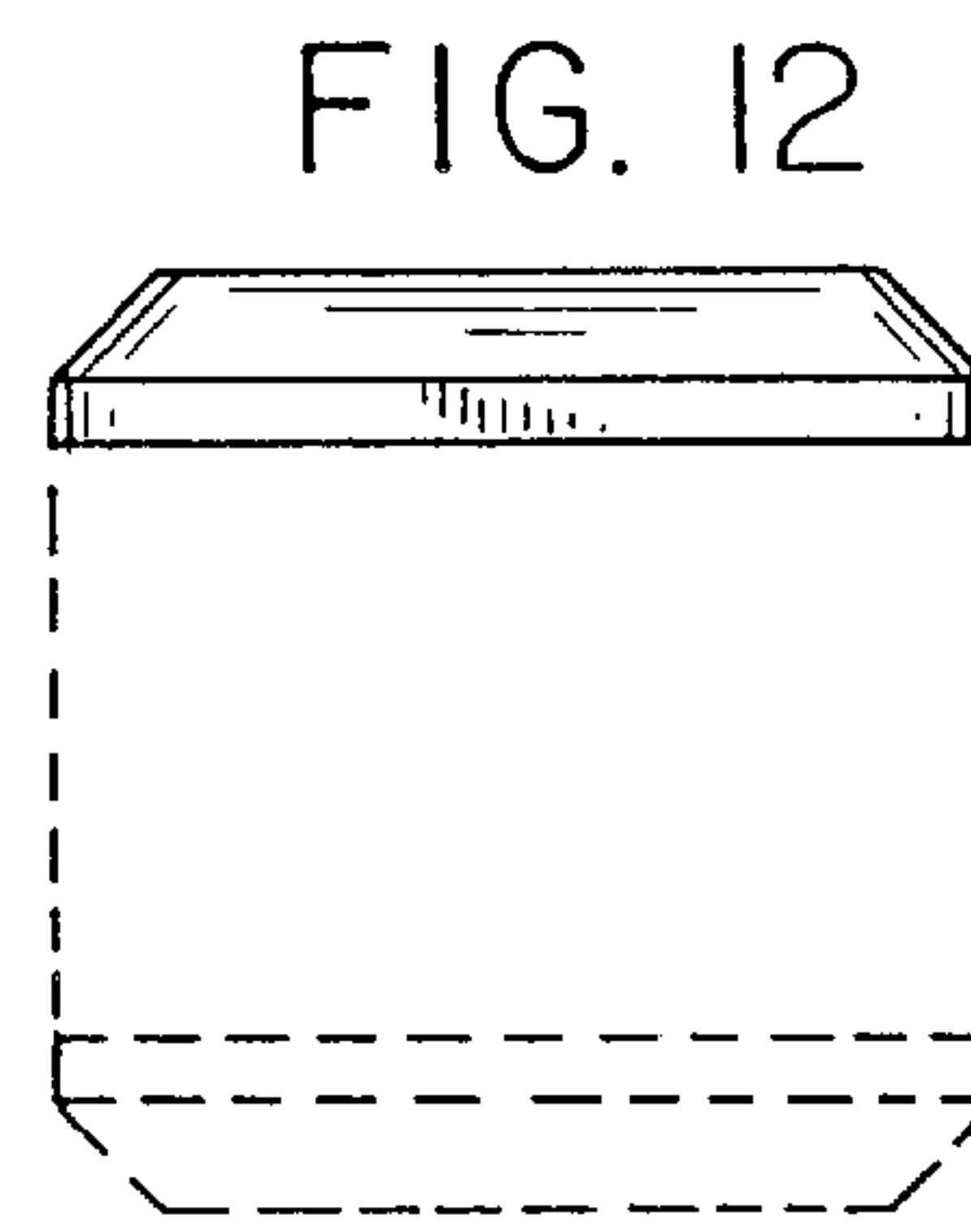


FIG. 12

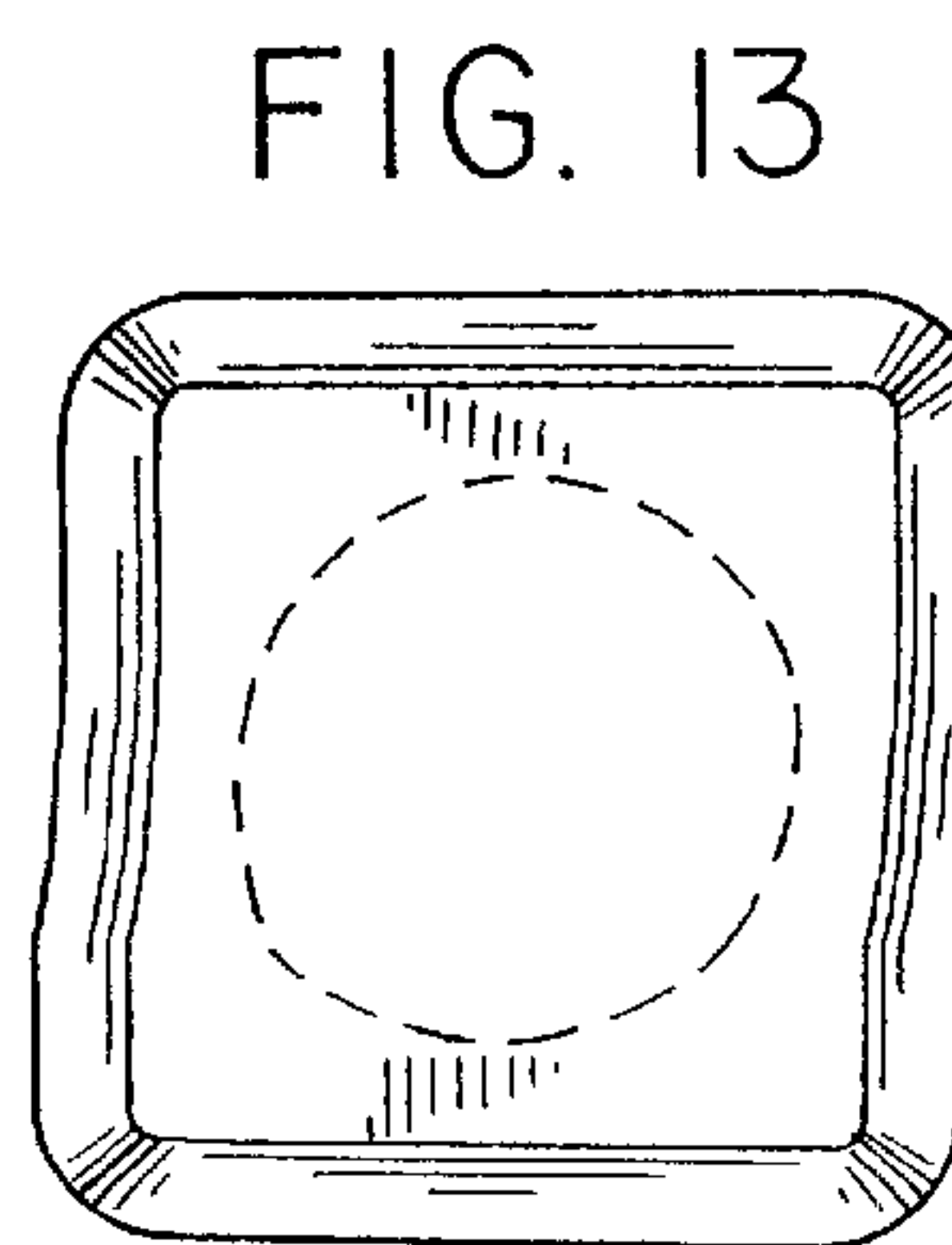


FIG. 13

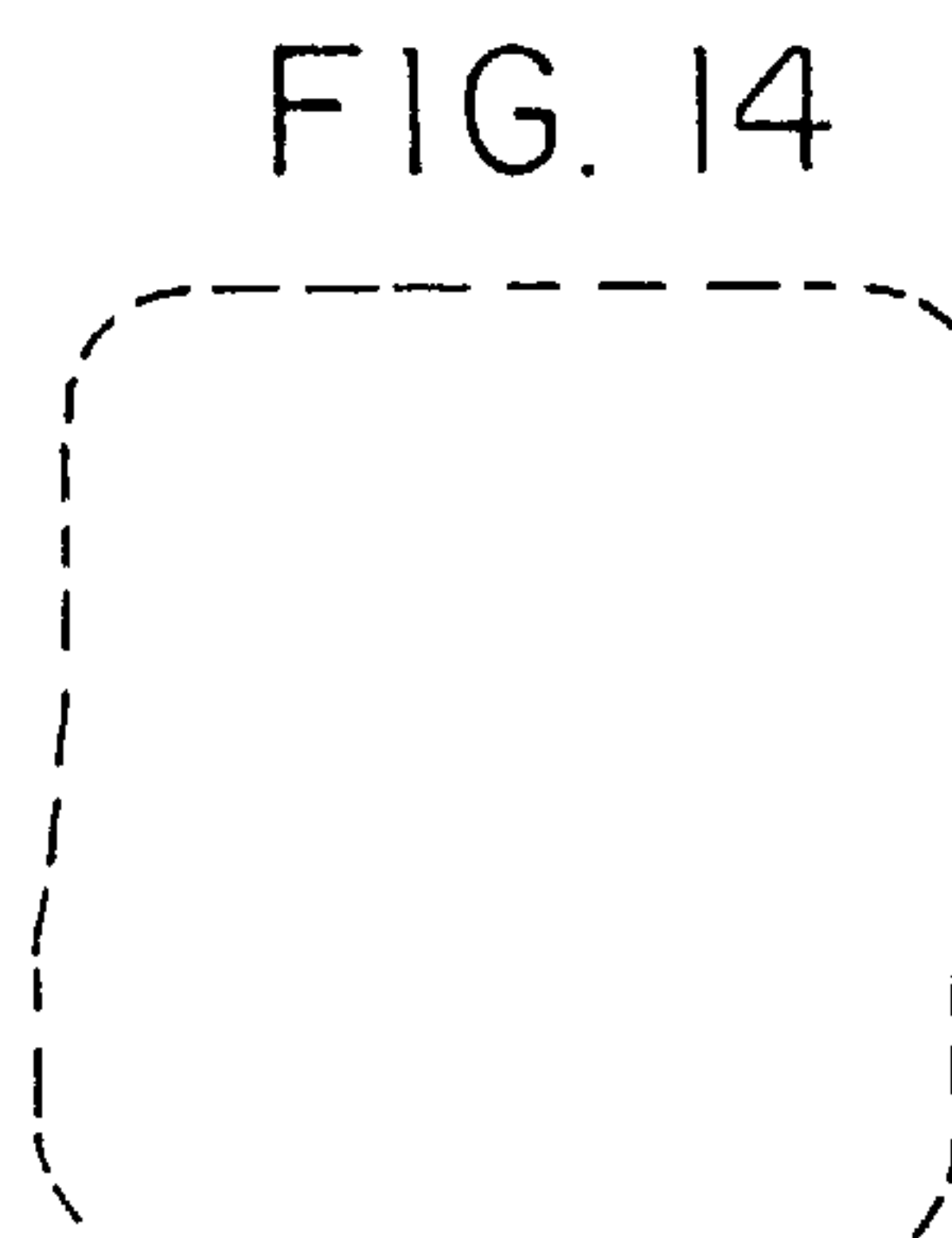


FIG. 14