



US00D482734S

(12) **United States Design Patent**
McIlvaine

(10) **Patent No.:** **US D482,734 S**

(45) **Date of Patent:** **** Nov. 25, 2003**

(54) **ADJUSTABLE LOW PROFILE LABEL
HOLDER**

(75) **Inventor:** **Howard McIlvaine**, Freehold, NJ (US)

(73) **Assignee:** **Unex Manufacturing, Inc.**, Jackson,
NJ (US)

(**) **Term:** **14 Years**

(21) **Appl. No.:** **29/171,726**

(22) **Filed:** **Nov. 26, 2002**

(51) **LOC (7) Cl.** **20-03**

(52) **U.S. Cl.** **D20/43; D34/29; D34/35**

(58) **Field of Search** D20/10, 15, 40,
D20/42-44, 99; D25/119, 124; D34/29,
35; 24/67 R, 67.1, 67.9; 193/35 R; 211/183;
248/346.03, 441.1

(56) **References Cited**

U.S. PATENT DOCUMENTS

- D141,049 S * 5/1945 Ketchum, Jr. D25/119
- 2,847,776 A * 8/1958 Robertson 40/641
- D189,147 S * 11/1960 Hinchcliffe D34/29
- 3,164,354 A * 1/1965 Mordock 248/251
- 3,168,954 A * 2/1965 Herrmann 211/50
- D209,071 S * 10/1967 Koch D34/29

- D209,421 S * 11/1967 Fabian D34/29
- D223,819 S * 6/1972 Edwards D12/401
- D237,104 S * 10/1975 Fisher D25/124
- D291,097 S * 7/1987 Dalbey et al. D20/44
- D330,221 S * 10/1992 Levin D19/91
- D347,449 S * 5/1994 Garfinkle D20/43
- D381,176 S * 7/1997 Patois et al. D34/29
- D441,879 S * 5/2001 Habeck et al. D25/124
- 6,510,935 B1 * 1/2003 McIlvaine 193/35 R

* cited by examiner

Primary Examiner—Robert M. Spear

(74) *Attorney, Agent, or Firm*—Salzman & Levy

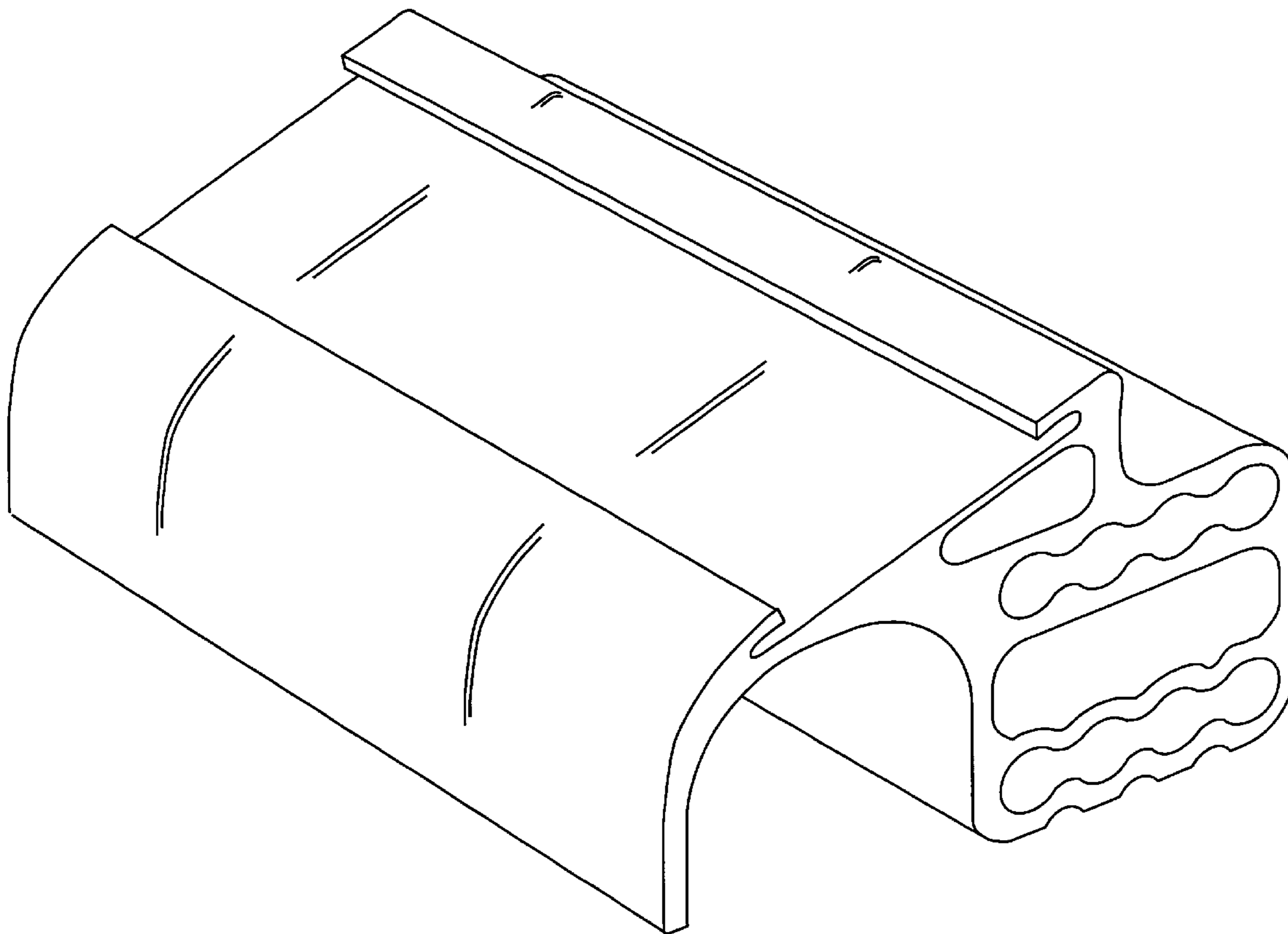
(57) **CLAIM**

The ornamental design for adjustable low profile label holder, as shown and described.

DESCRIPTION

- FIG. 1 is a perspective view of my adjustable low profile label holder;
- FIG. 2 is a right view thereof;
- FIG. 3 is a left view thereof;
- FIG. 4 is a top view thereof;
- FIG. 5 is a bottom view thereof;
- FIG. 6 is a front view thereof; and,
- FIG. 7 is a back view thereof.

1 Claim, 4 Drawing Sheets



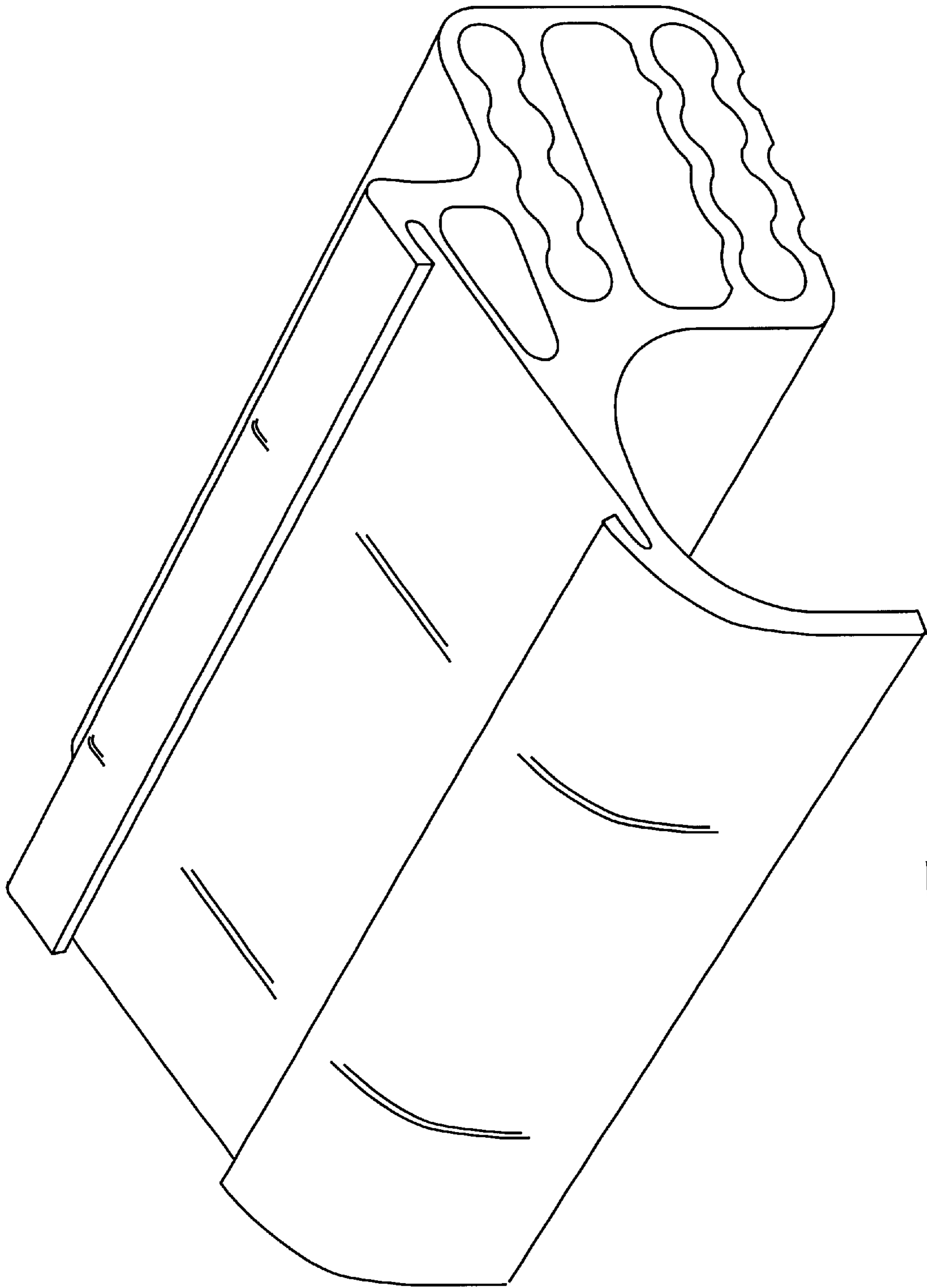


Fig. 1

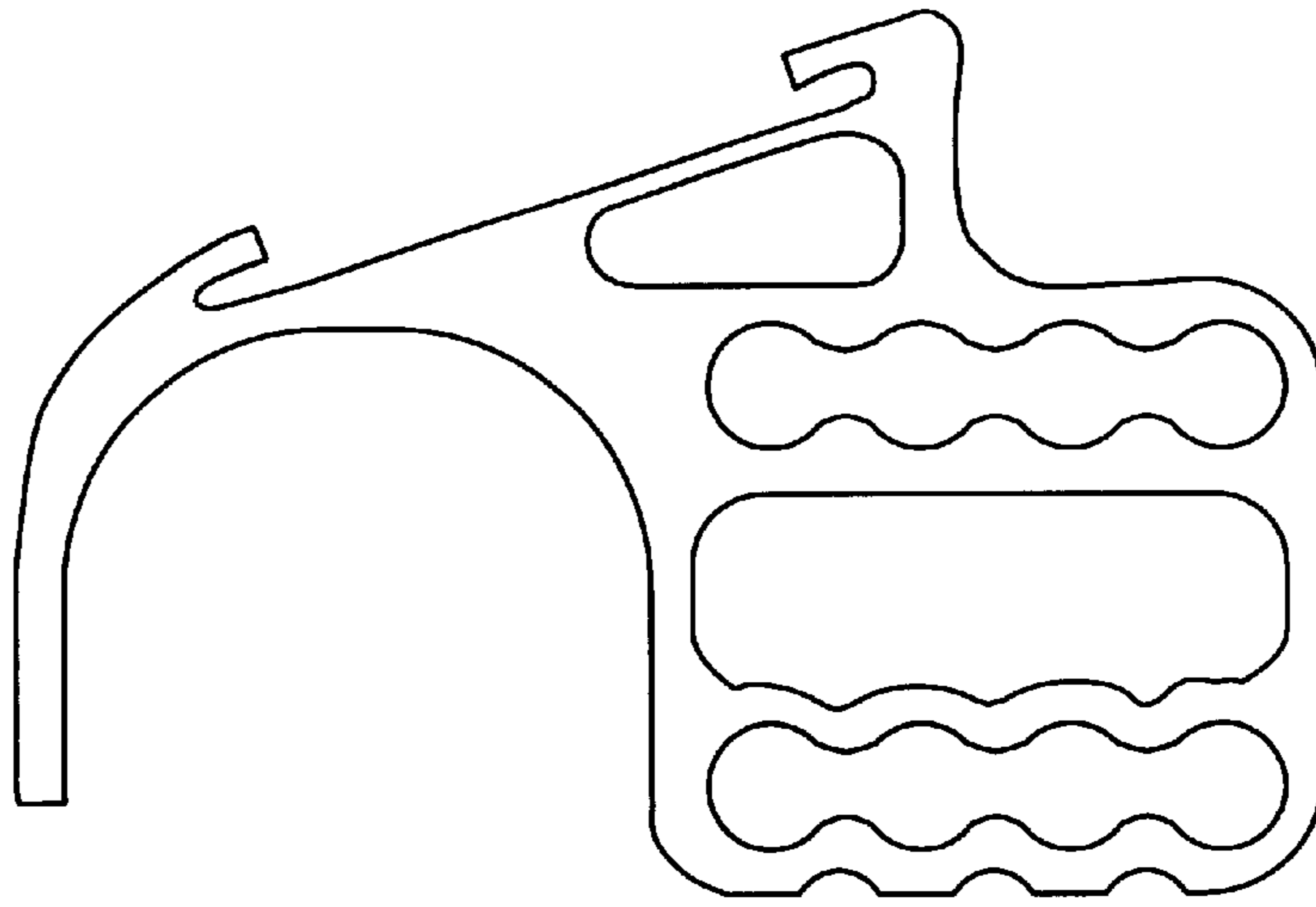


Fig.2 (Right)

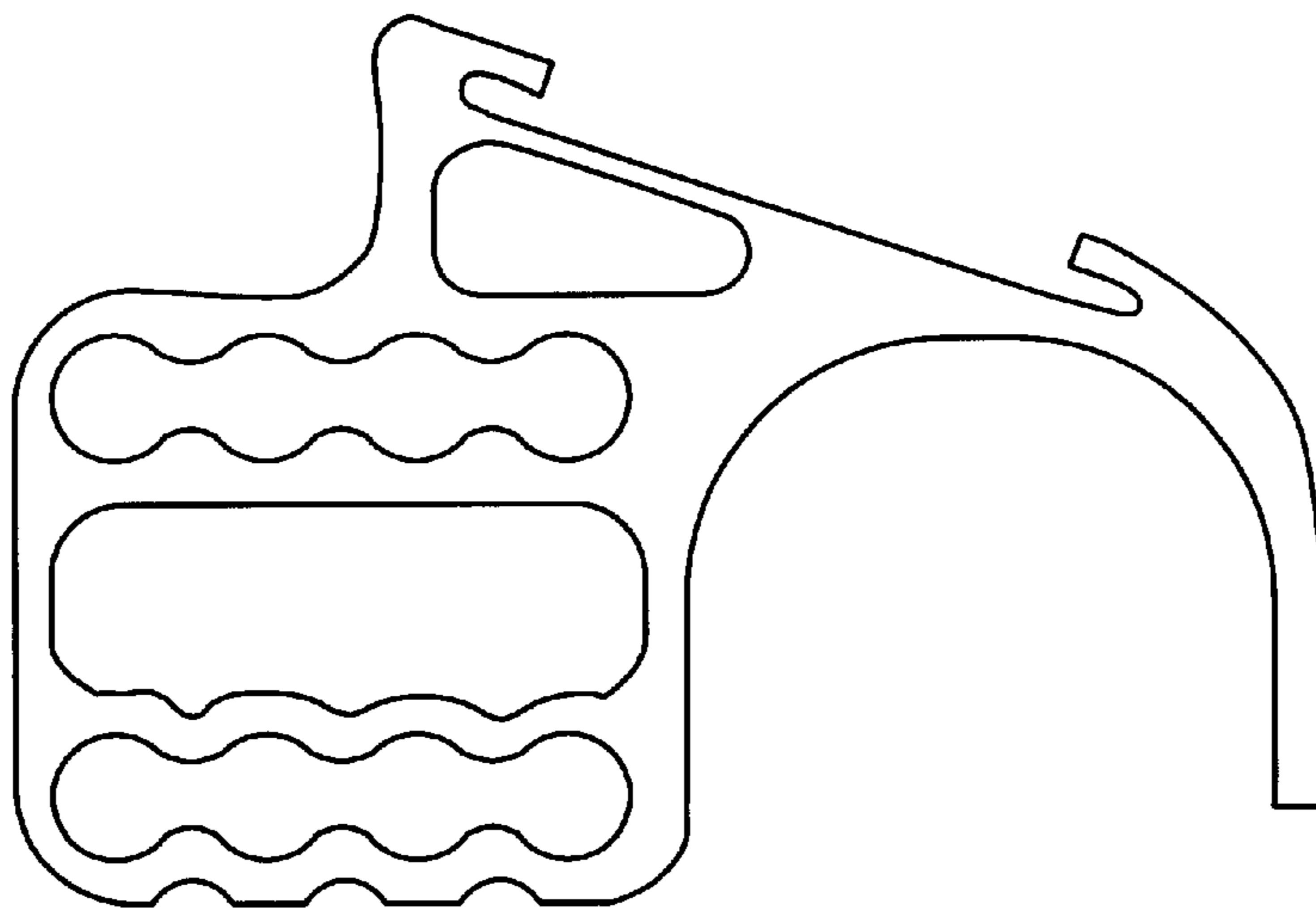


Fig.3 (Left)

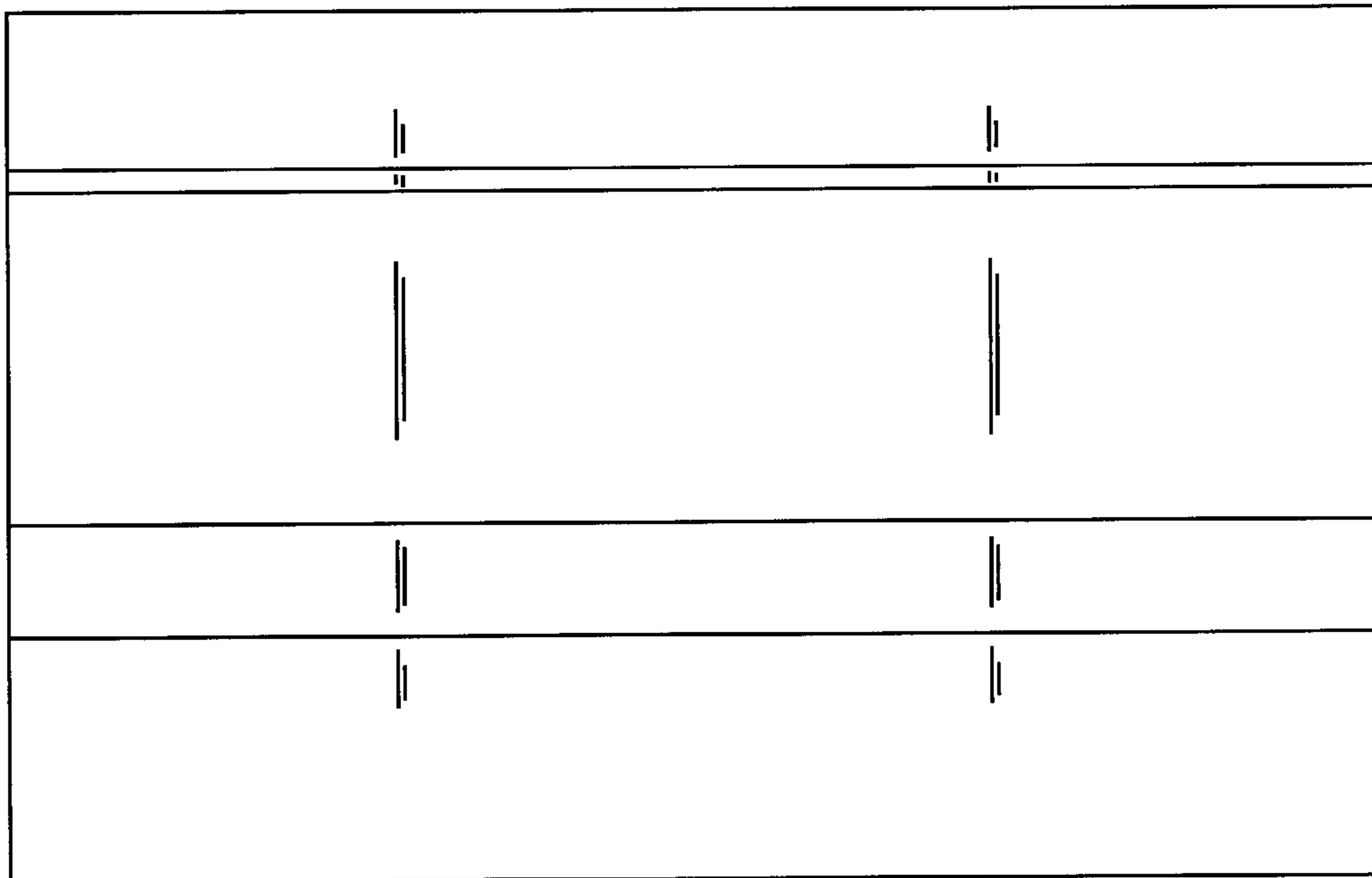


Fig. 4 (Top)

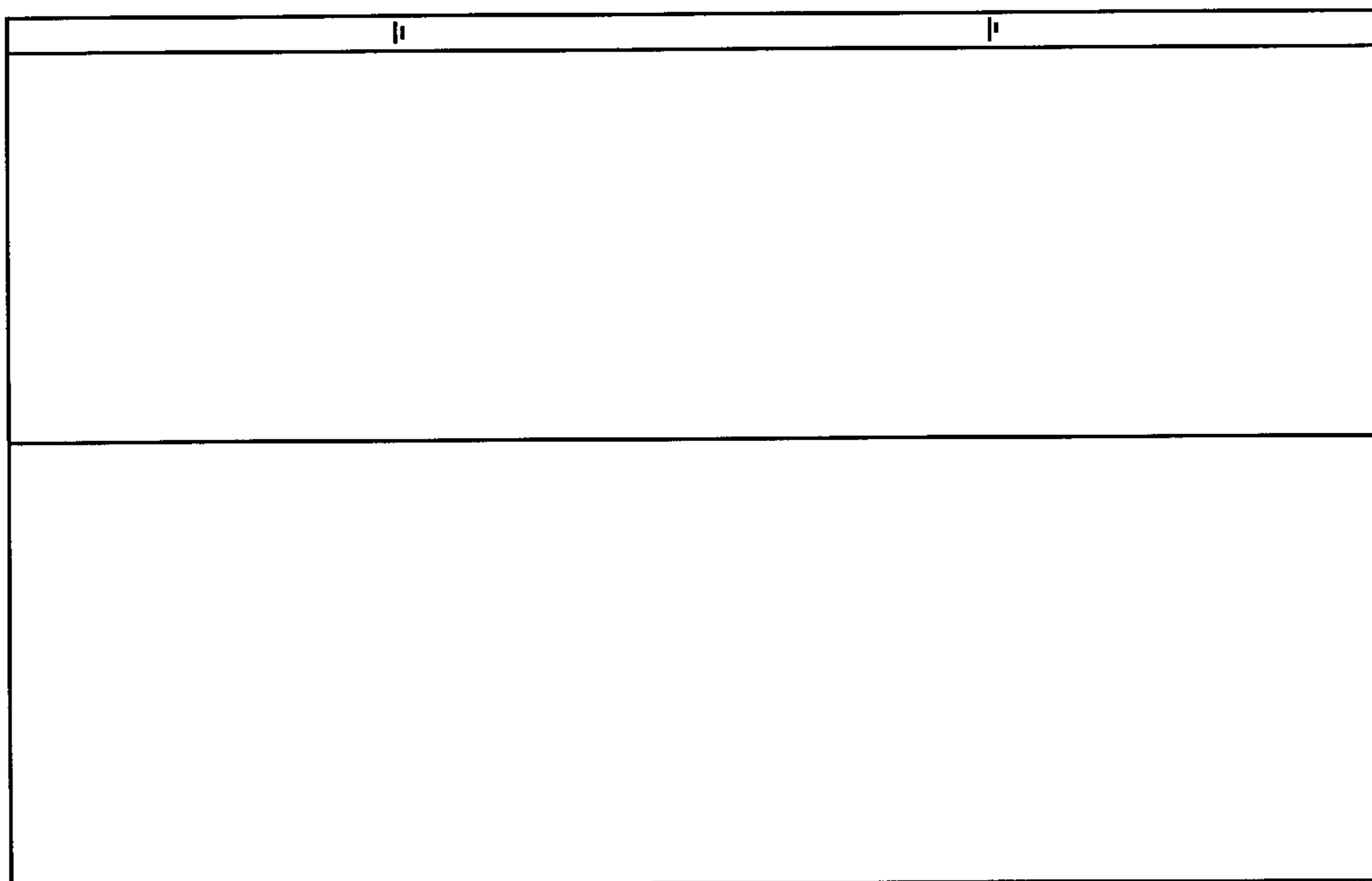


Fig. 5 (Bottom)

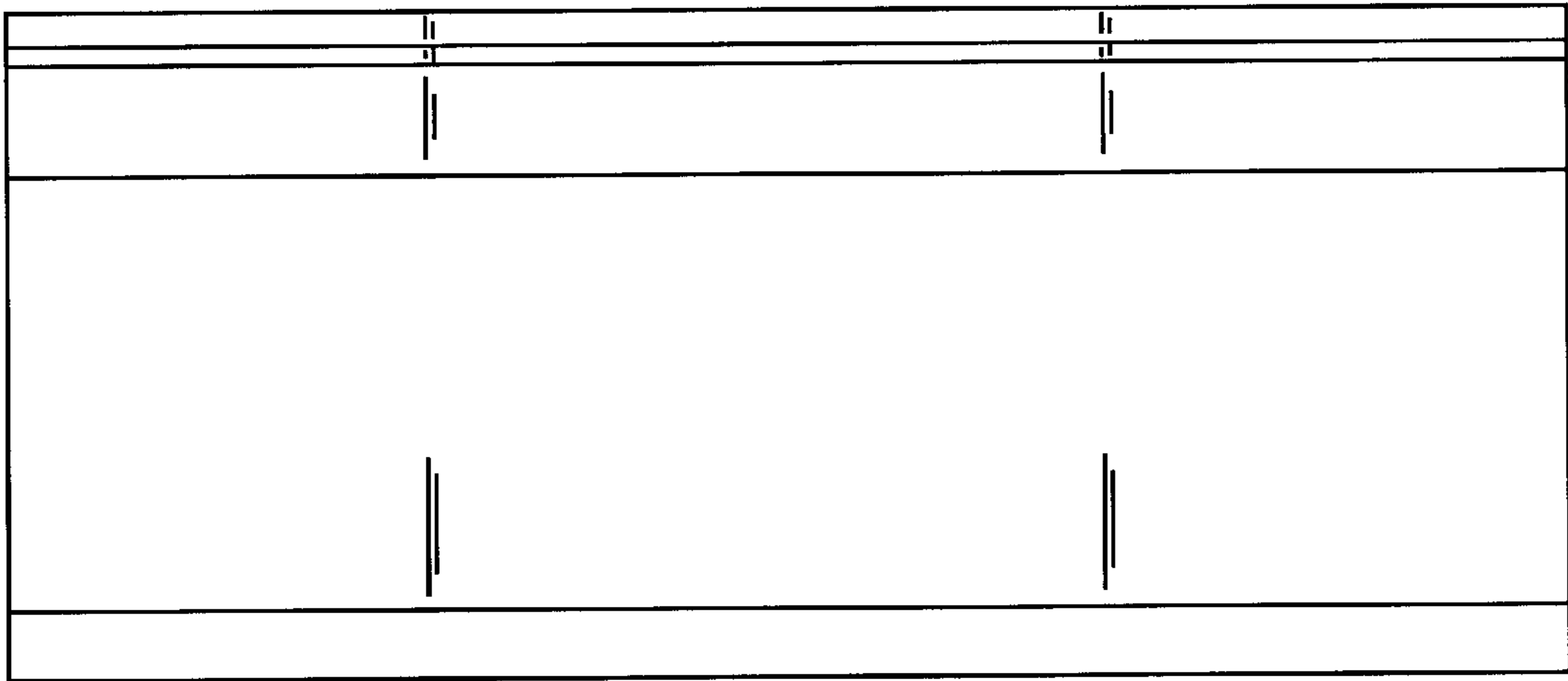


Fig. 6 (Front)

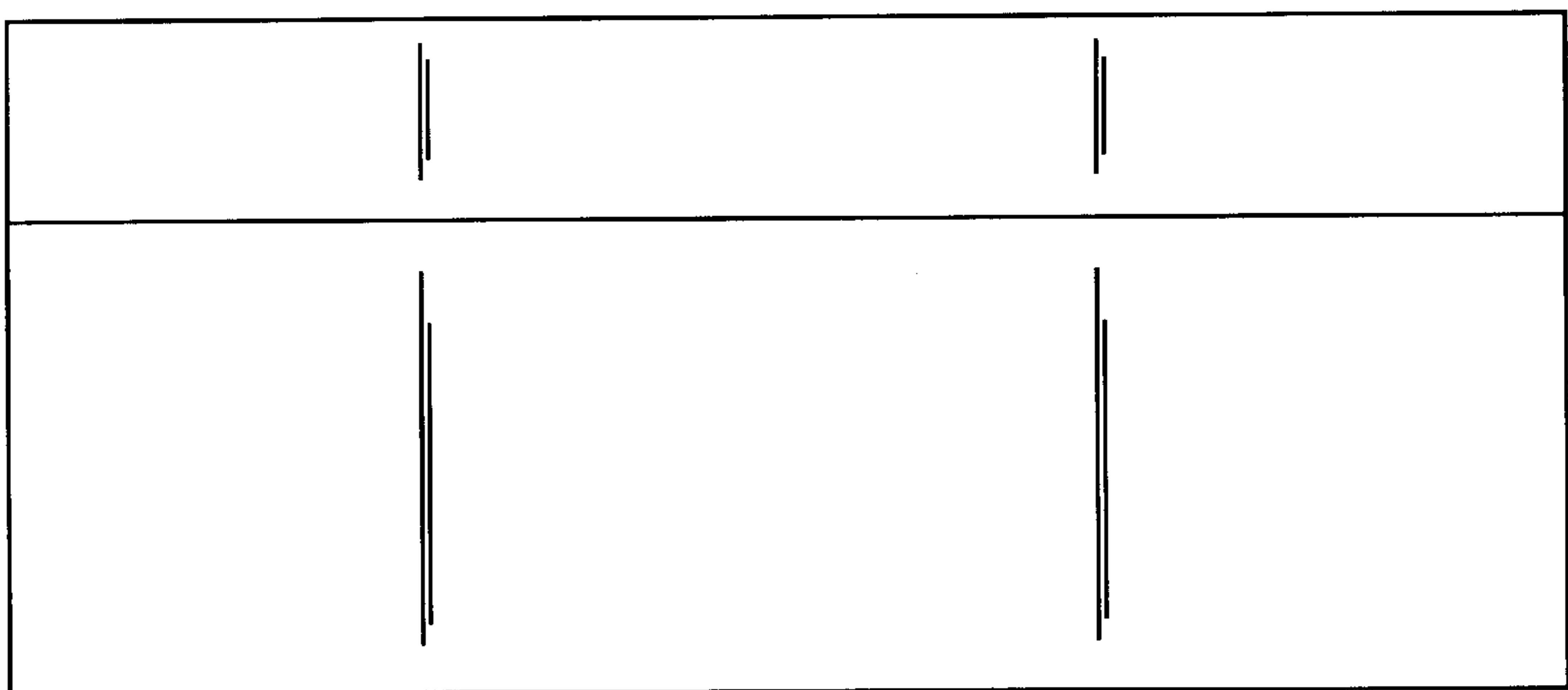


Fig. 7 (Back)