



US00D482732S

(12) **United States Design Patent**
McIlvaine

(10) **Patent No.:** **US D482,732 S**

(45) **Date of Patent:** **** Nov. 25, 2003**

(54) **LOW PROFILE HOOK**

(75) Inventor: **Howard McIlvaine**, Freehold, NJ (US)

(73) Assignee: **Unex Manufacturing, Inc.**, Jackson, NJ (US)

(**) Term: **14 Years**

(21) Appl. No.: **29/171,719**

(22) Filed: **Nov. 26, 2002**

(51) **LOC (7) Cl.** **20-03**

(52) **U.S. Cl.** **D20/43; D34/29; D34/35**

(58) **Field of Search** **D20/10, 15, 40, D20/42-44, 99; D25/119, 124; D34/29, 35; 24/67 R, 67.1, 67.9; 193/35 R; 211/183; 248/346.03, 441.1**

(56) **References Cited**

U.S. PATENT DOCUMENTS

D141,049 S * 5/1945 Ketchum, Jr. D25/119
3,164,354 A * 1/1965 Murdock 248/251

D223,819 S * 6/1972 Edwards D12/401
D291,097 S * 7/1987 Dalbey et al. D20/44
D347,449 S * 5/1994 Garfinkle D20/43
D441,879 S * 5/2001 Habeck et al. D25/124
6,510,935 B1 * 1/2003 McIlvaine 193/35 R

* cited by examiner

Primary Examiner—Robert M. Spear
(74) *Attorney, Agent, or Firm*—Salzman & Levy

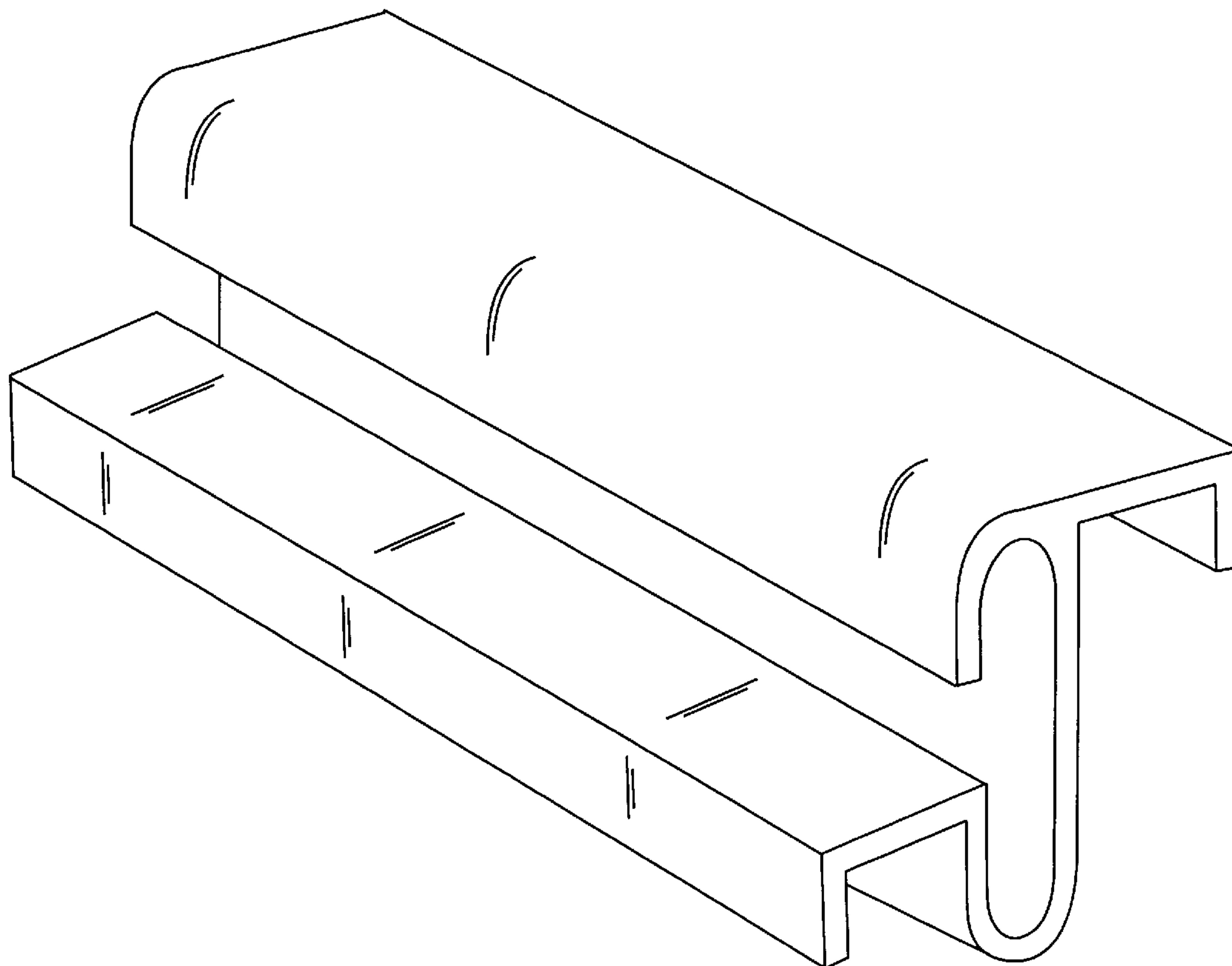
(57) **CLAIM**

The ornamental design for low profile hook, as shown and described.

DESCRIPTION

FIG. 1 is a perspective view of my low profile hook;
FIG. 2 is a right view thereof;
FIG. 3 is a left view thereof;
FIG. 4 is a top view thereof;
FIG. 5 is a bottom view thereof;
FIG. 6 is a front view thereof; and,
FIG. 7 is a back view thereof.

1 Claim, 4 Drawing Sheets



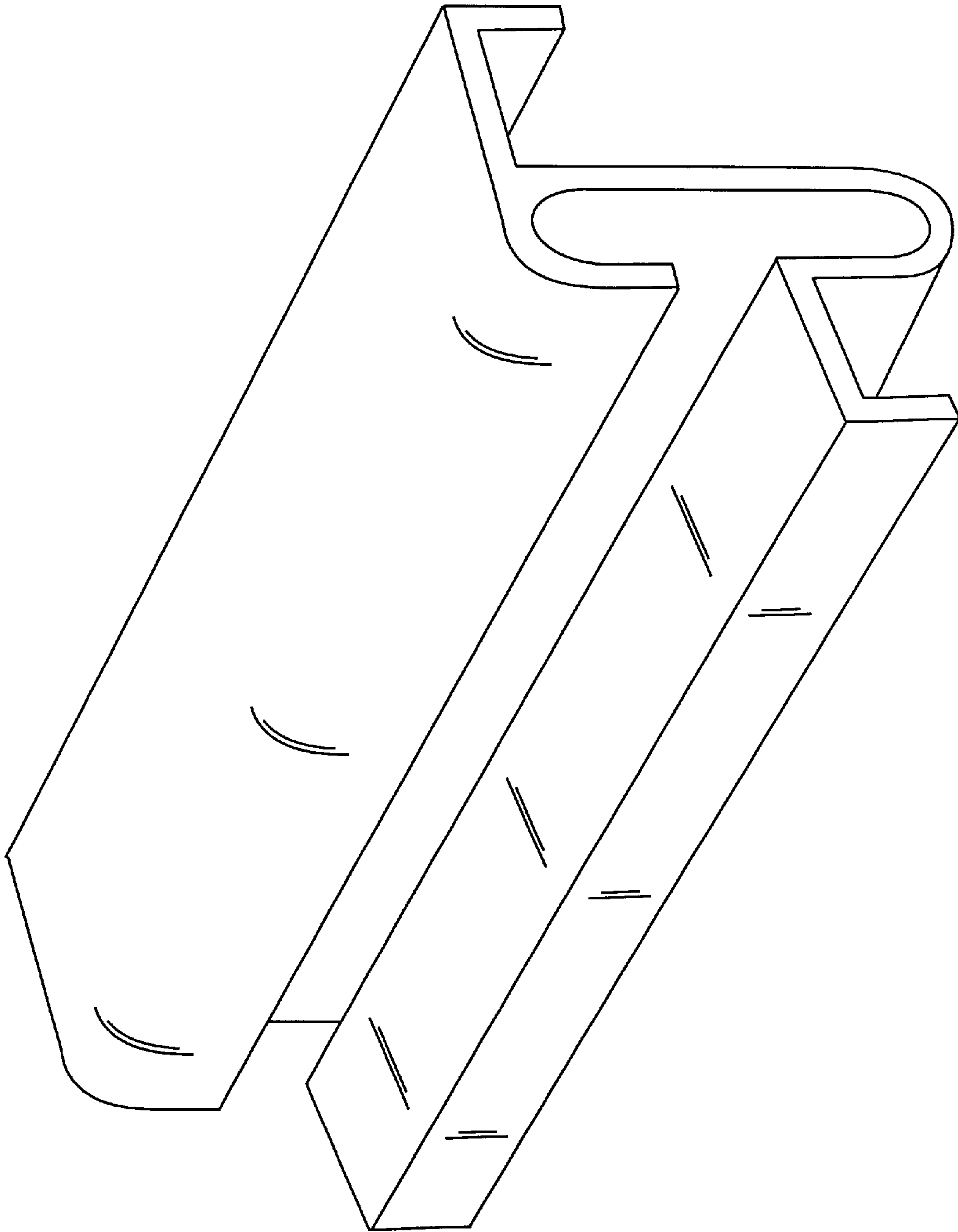


Fig. 1

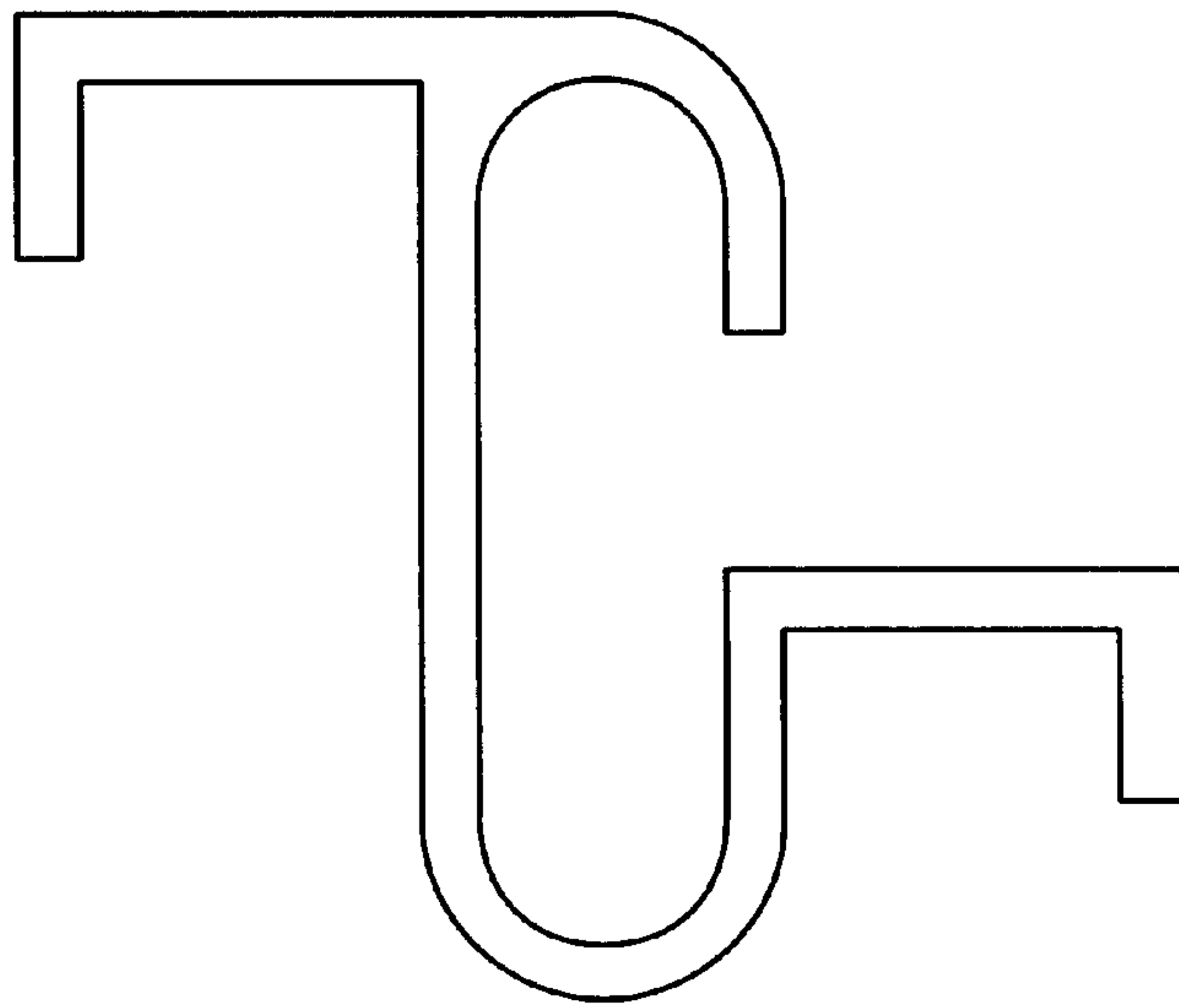


Fig. 2 (Right)

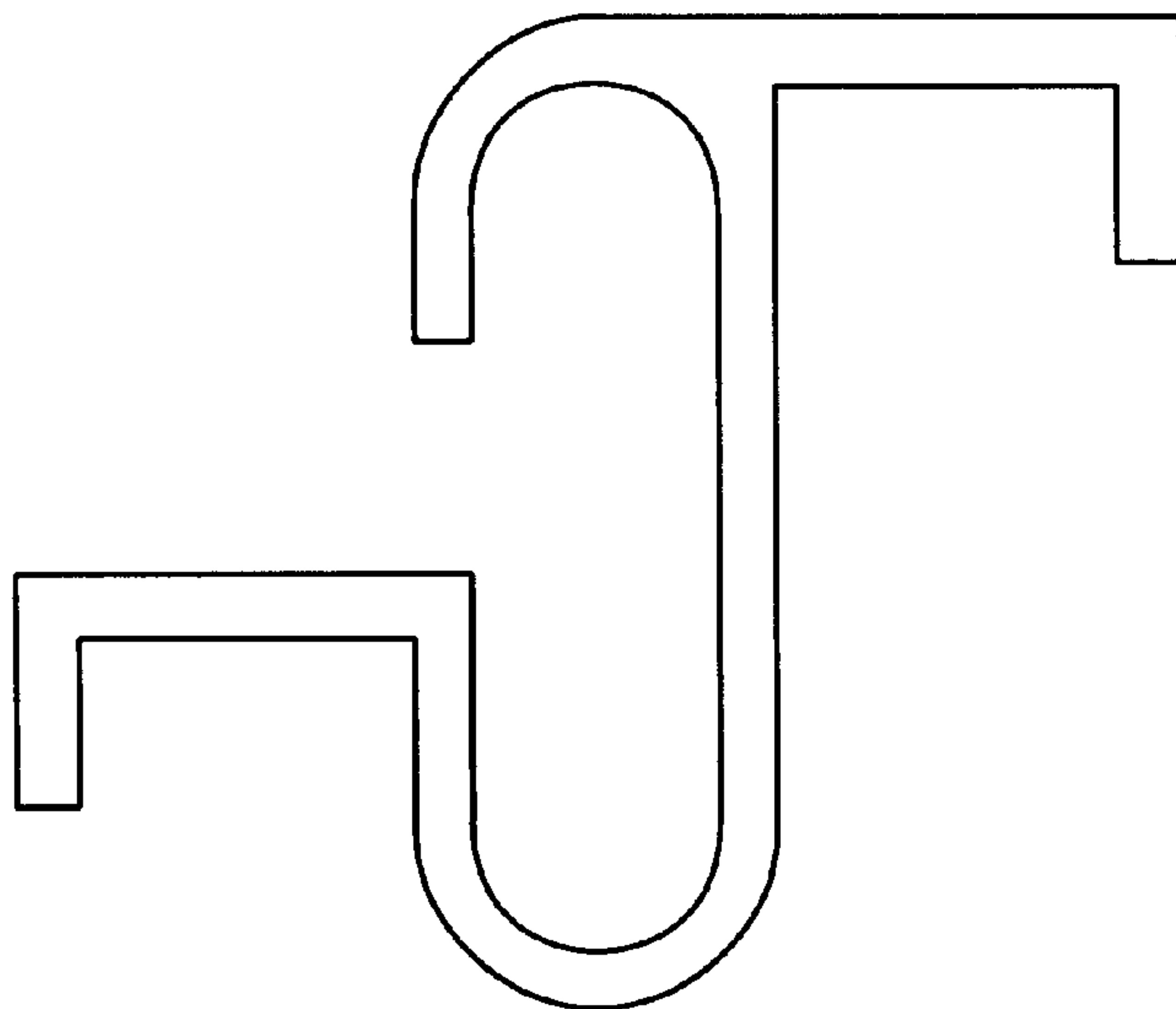


Fig. 3 (Left)

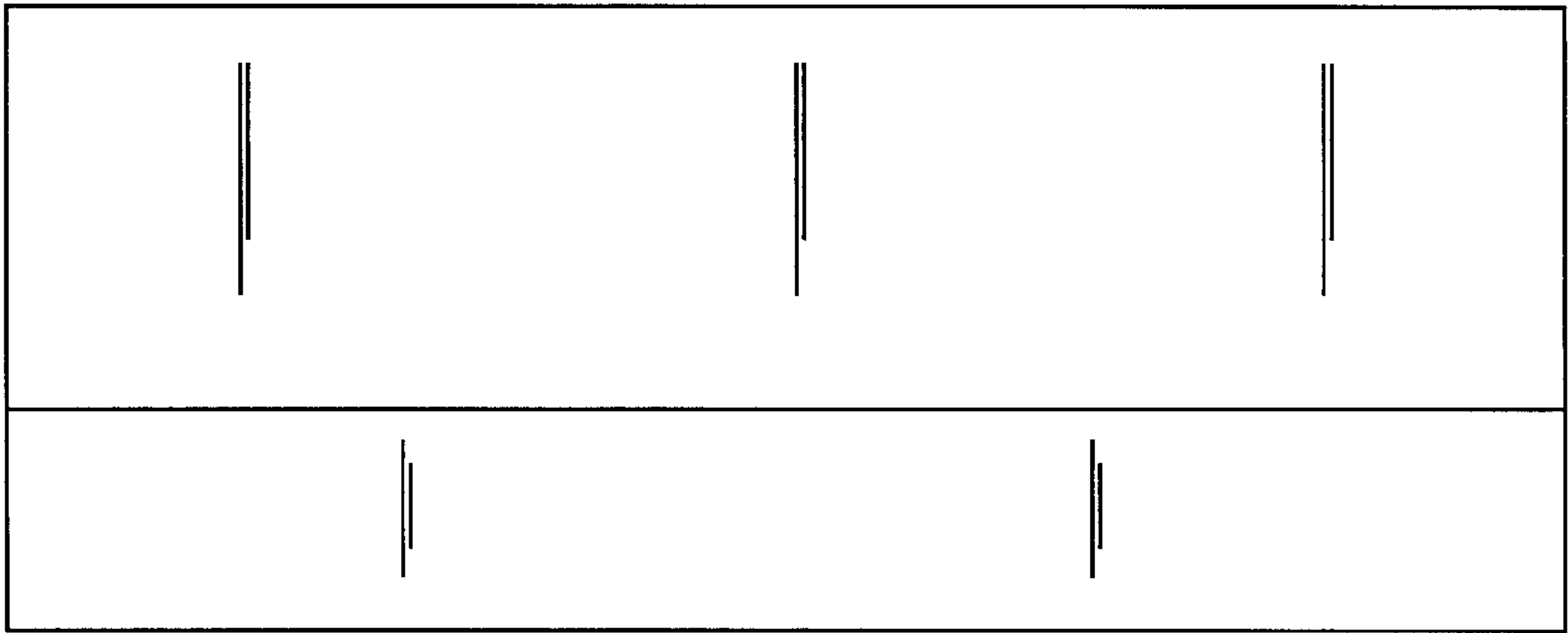


Fig.4 (Top)

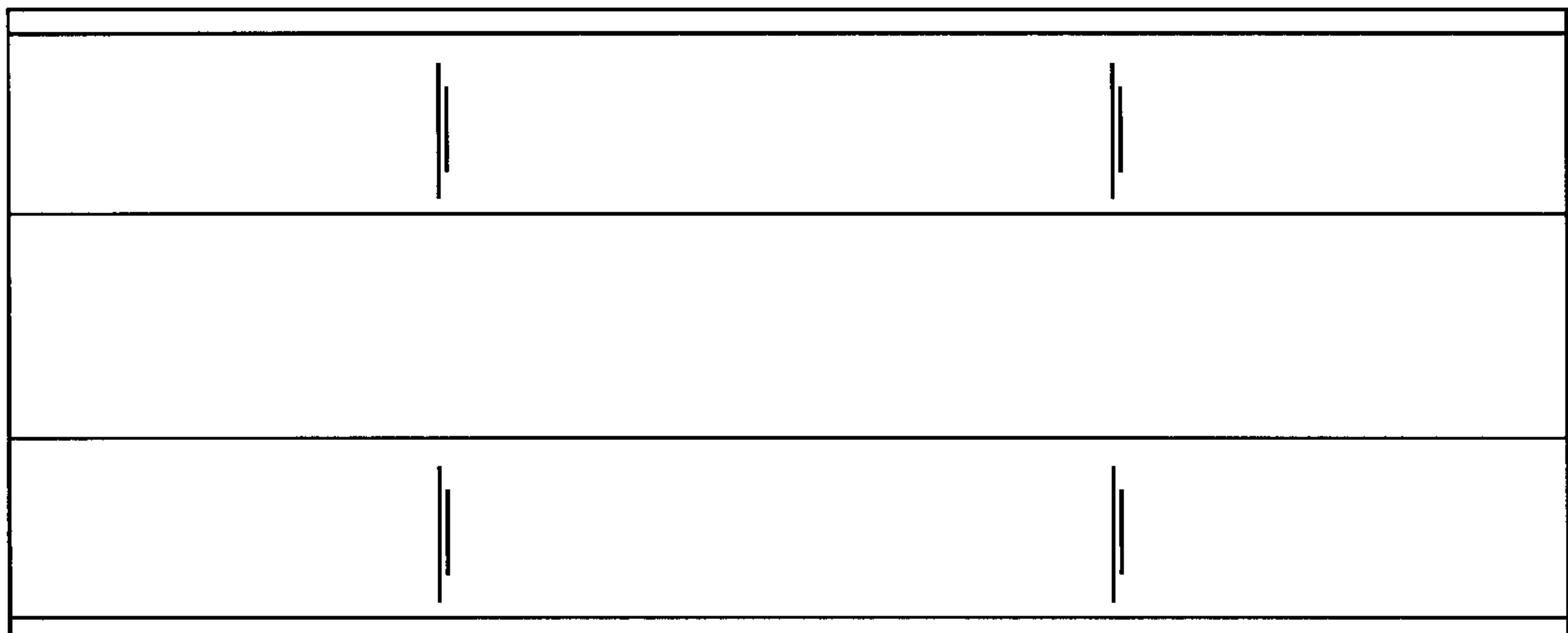


Fig.5 (Bottom)

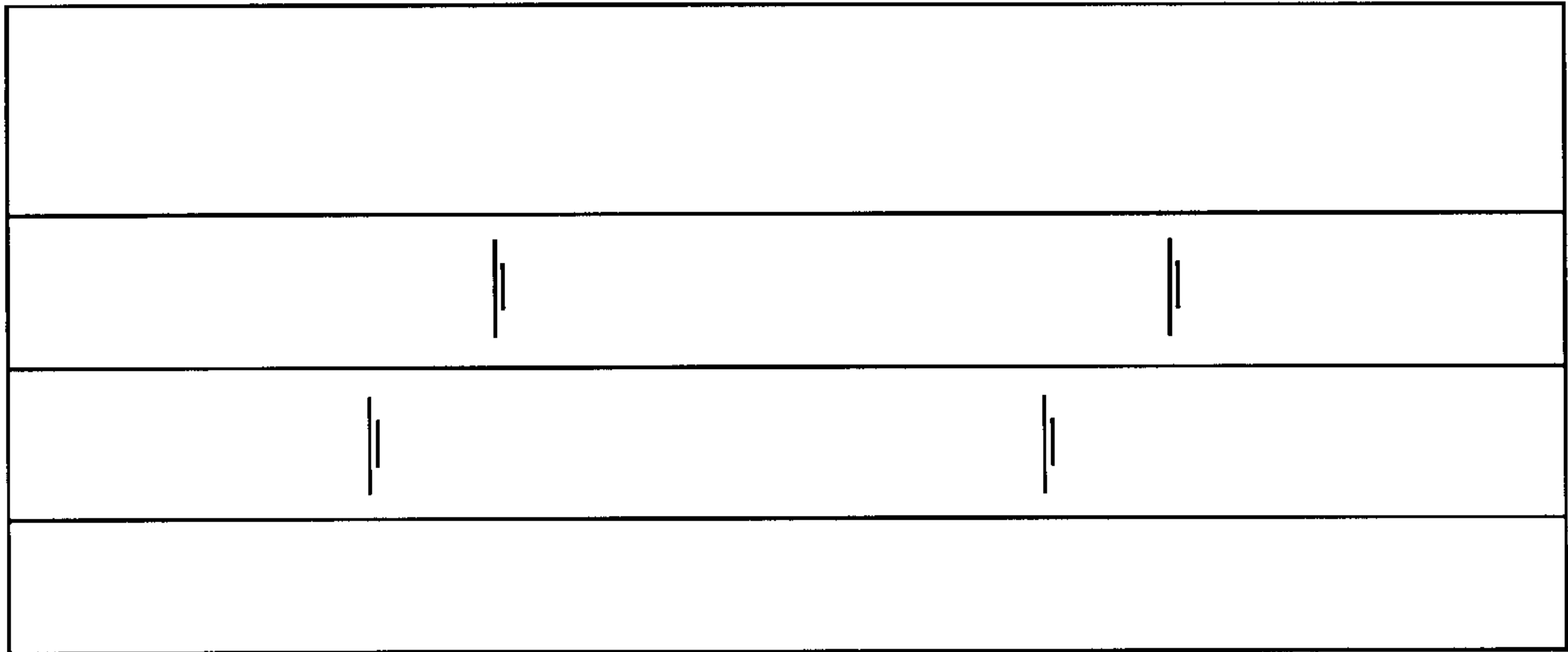


Fig.6 (Front)

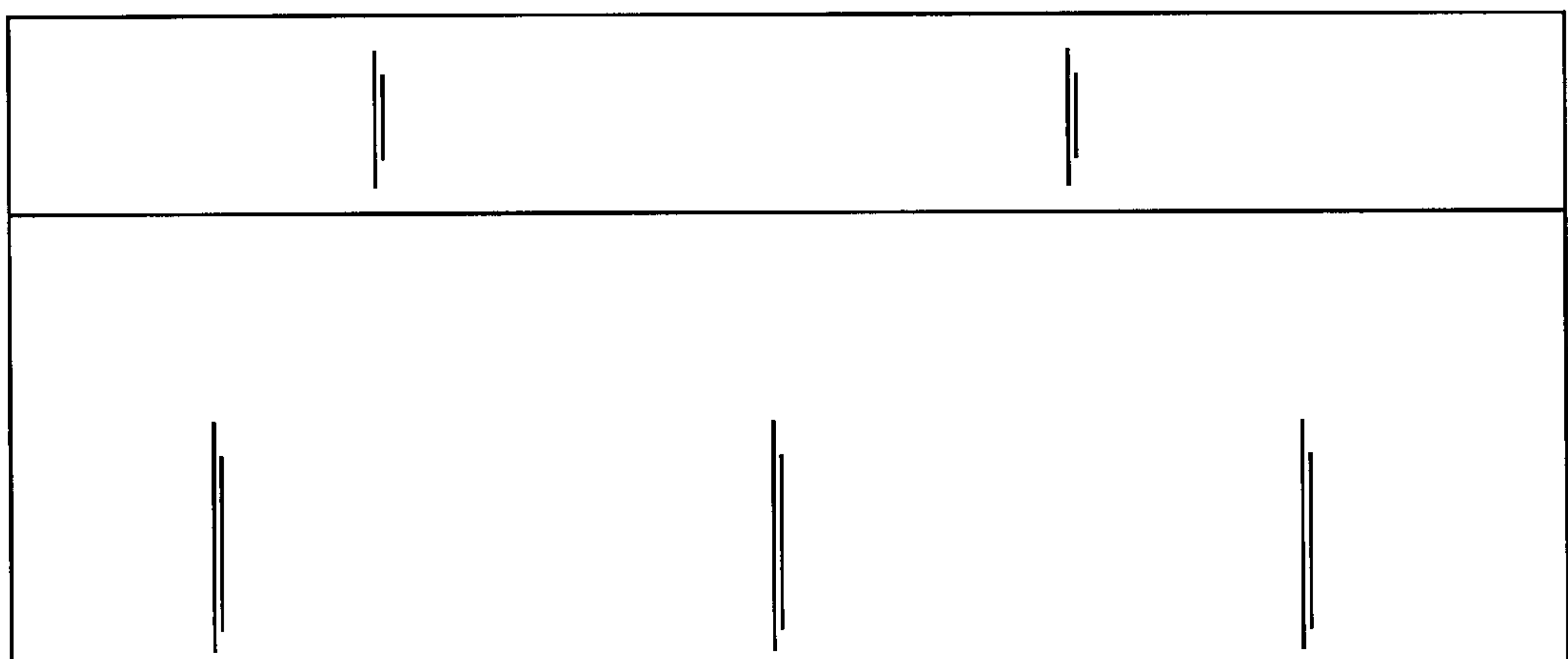


Fig.7 (Back)