



US00D482731S

(12) **United States Design Patent**  
**Herbst**

(10) **Patent No.:** **US D482,731 S**

(45) **Date of Patent:** **\*\* Nov. 25, 2003**

(54) **SIGN**

(75) **Inventor:** **Yaacov T. Herbst, Jerusalem (IL)**

(73) **Assignee:** **Park Media Ltd., Staten Island, NY (US)**

(\*\*) **Term:** **14 Years**

(21) **Appl. No.:** **29/159,286**

(22) **Filed:** **Apr. 16, 2002**

(51) **LOC (7) Cl.** ..... **20-02**

(52) **U.S. Cl.** ..... **D20/41**

(58) **Field of Search** ..... D20/10, 27, 28, D20/29, 41, 42, 99; D10/42; 40/333, 606, 607, 608, 611, 655

(56) **References Cited**  
**U.S. PATENT DOCUMENTS**

898,579 A	9/1908	Husted	
938,710 A	11/1909	Russell	
939,768 A	11/1909	Whiteside	
1,307,655 A	6/1919	Brown	
D84,694 S	7/1931	Graves	
1,890,483 A	12/1932	Wood et al.	
2,061,875 A	11/1936	Johns	194/1
D106,568 S	10/1937	Johns	
2,468,421 A	* 4/1949	Williams	D40/607
D162,698 S	* 3/1951	Teague	D10/42
2,616,196 A	11/1952	Sandahl et al.	40/145
2,833,065 A	5/1958	Kies	40/39
D189,106 S	* 10/1960	Leiderman	D10/42
D194,354 S	* 1/1963	Meuche	D20/41
D195,569 S	7/1963	Gleitsman	D33/8
3,116,027 A	12/1963	Kleppin	240/81
3,135,063 A	6/1964	Ricks	40/137
3,182,414 A	5/1965	Snediker	40/125
3,305,909 A	2/1967	Wise et al.	25/120
3,313,056 A	4/1967	Williams et al.	40/77
3,337,171 A	8/1967	Canning	248/165
3,479,760 A	11/1969	Snyder, Jr.	40/145
3,538,882 A	11/1970	Price	116/135
3,928,930 A	12/1975	Attwood	40/145 R
4,353,179 A	10/1982	Jennings	40/479

4,454,671 A	6/1984	Morgenstern	40/607
D274,629 S	7/1984	Plumettaz	D20/10
4,519,510 A	* 5/1985	Learnard	211/58
D286,794 S	* 11/1986	Bayless et al.	D20/41
4,742,630 A	5/1988	Scumaci	40/333
D305,778 S	1/1990	Caulk	D20/21
4,910,902 A	3/1990	Anderson	40/607
5,054,219 A	* 10/1991	Hoyt et al.	40/473
D322,096 S	12/1991	Adams	D20/21
5,116,204 A	5/1992	Power et al.	40/607
5,212,898 A	5/1993	Dinan et al.	40/607
D355,222 S	2/1995	Marshal et al.	D20/41
D369,007 S	* 4/1996	Jones	D20/41
D376,821 S	12/1996	Hathaway	D20/41
5,609,317 A	3/1997	Glynn et al.	248/206.5
D391,301 S	2/1998	Davis	D20/41
5,782,027 A	7/1998	Gildea	40/538
5,787,621 A	8/1998	Leksell	40/606
5,956,875 A	* 9/1999	Aughenbaugh	40/607
5,966,857 A	10/1999	Pettersson et al.	40/606
D417,894 S	12/1999	Herbst	D20/41
D418,170 S	12/1999	Herbst	D20/41
D424,734 S	5/2000	Gager et al.	D26/106
D431,838 S	10/2000	Ragot	D20/10
6,250,003 B1	* 6/2001	Phinney	40/607

\* cited by examiner

*Primary Examiner*—Robert M. Spear  
(74) *Attorney, Agent, or Firm*—Fish & Neave; Joel Weiss; Scott H Kaliko

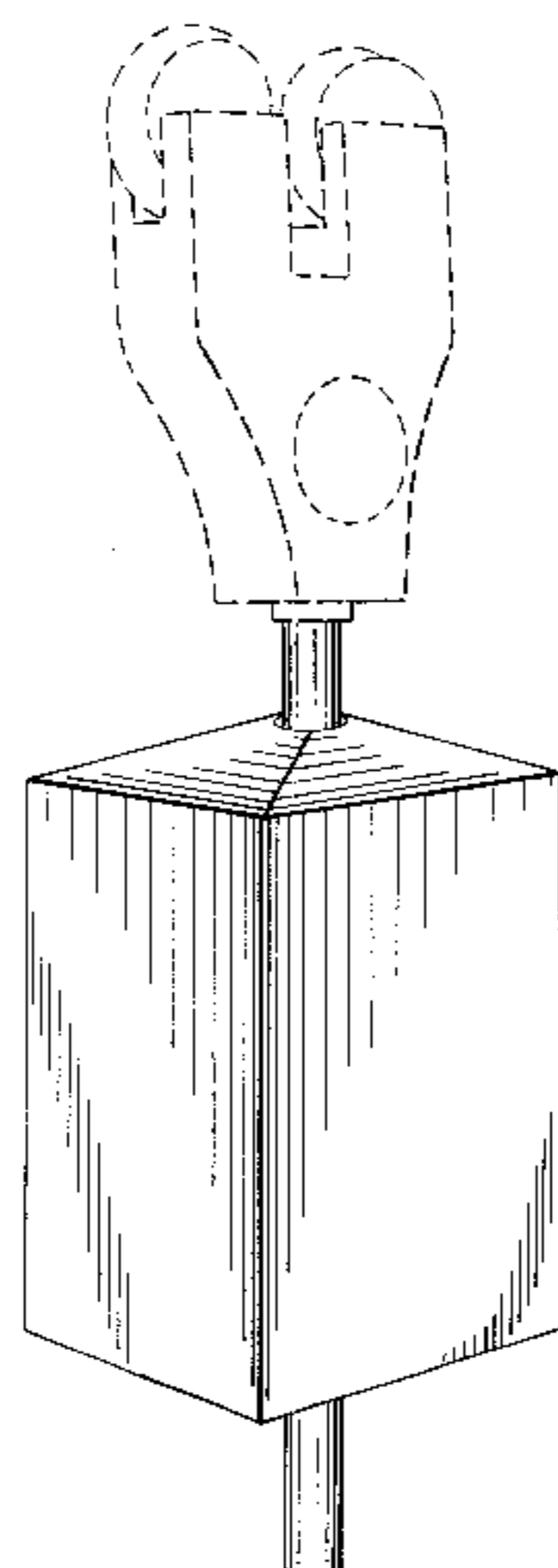
(57) **CLAIM**

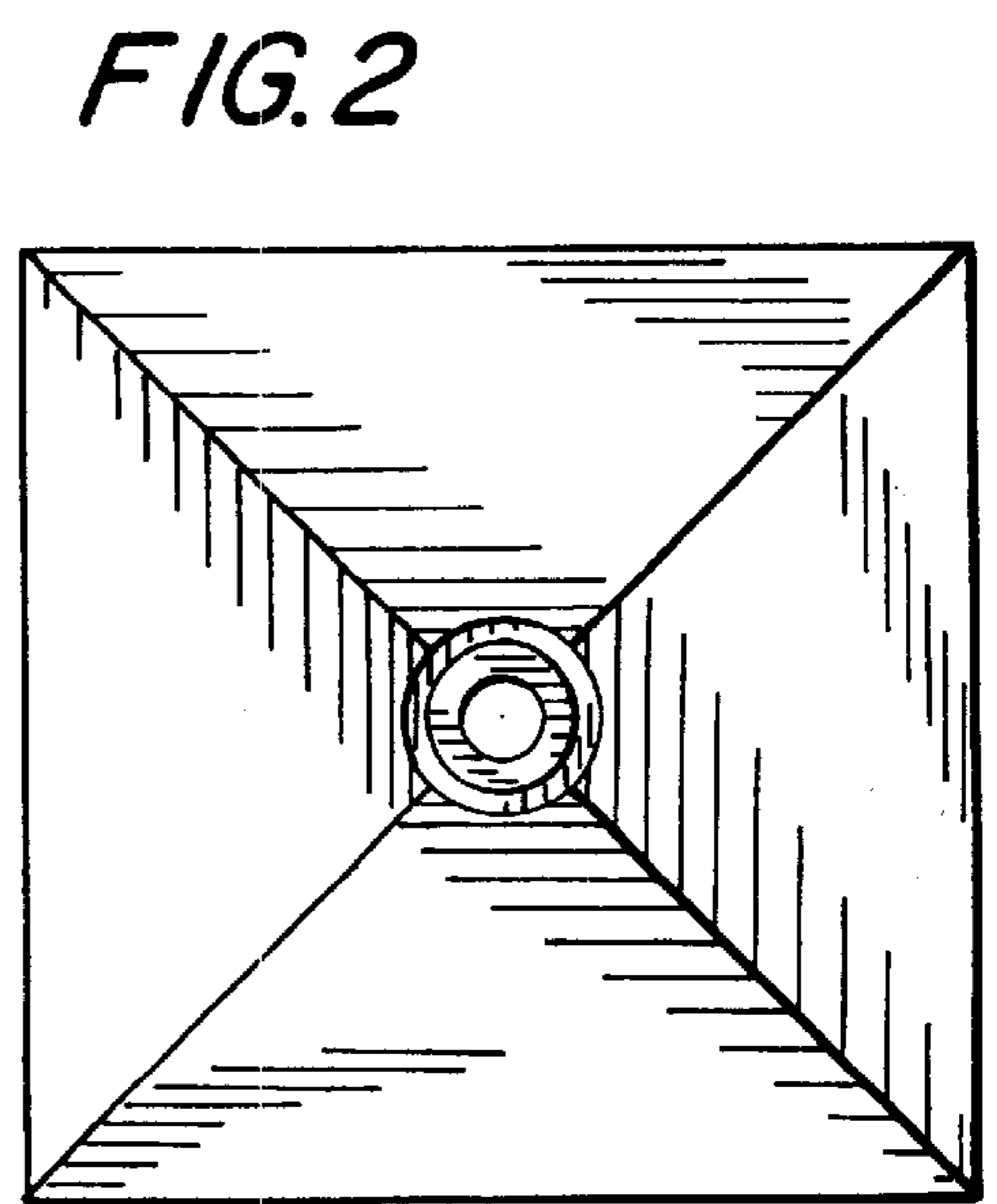
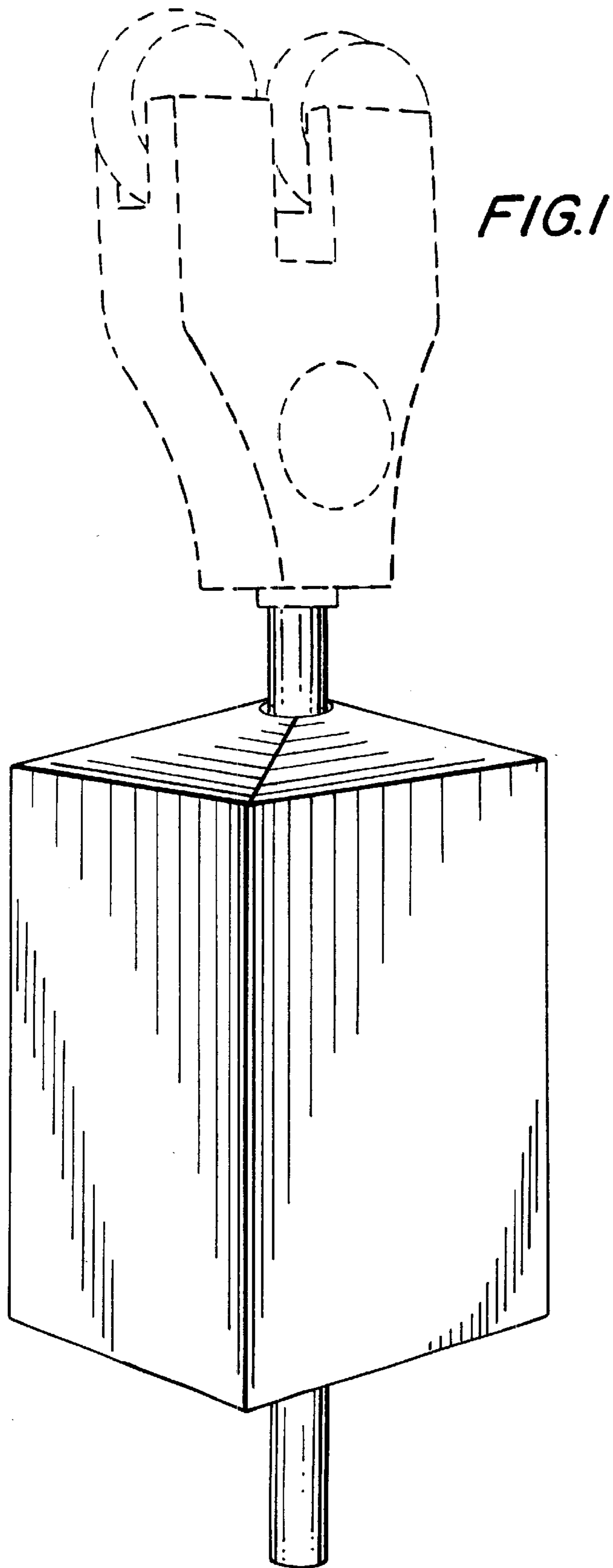
The ornamental design for a sign, as shown and described.

**DESCRIPTION**

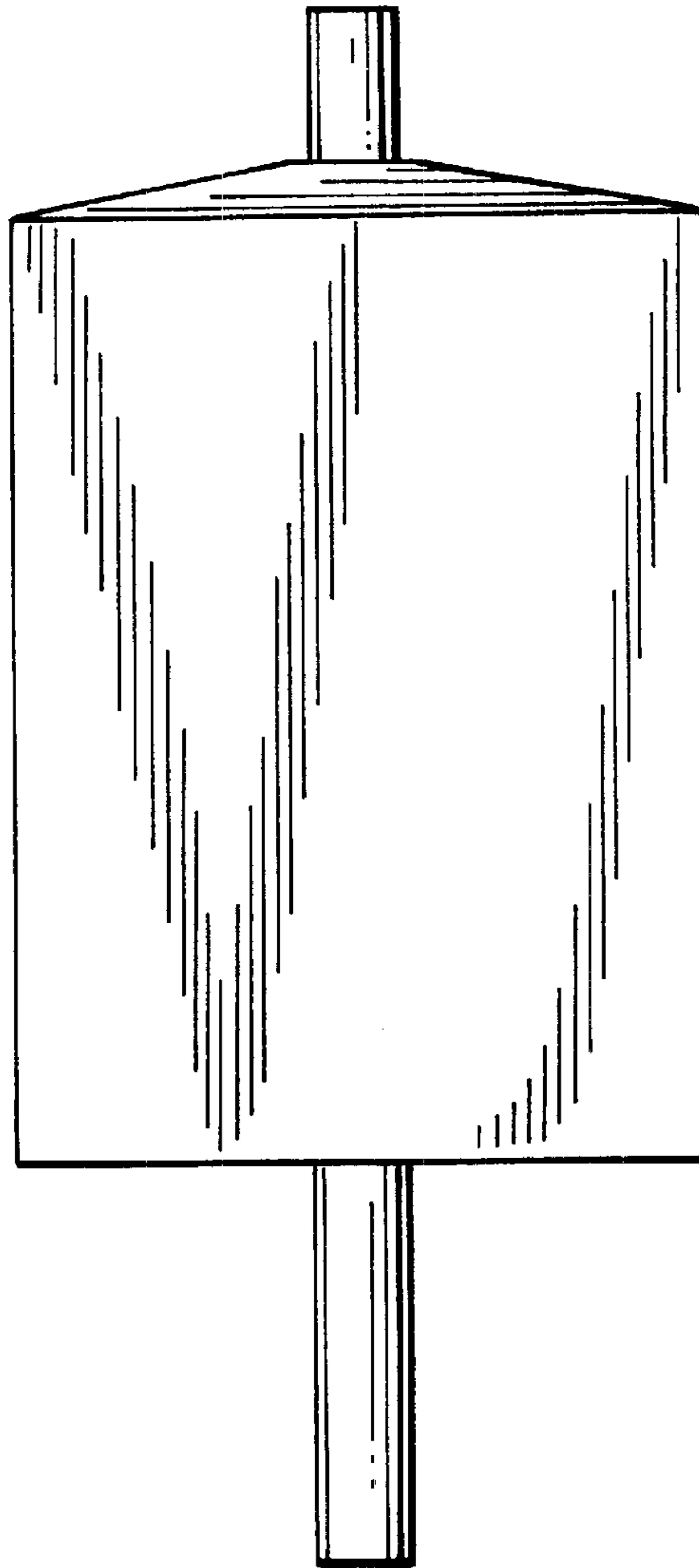
FIG. 1 is a top, left, front perspective view of a sign showing our new design;  
FIG. 2 is a top plan view thereof;  
FIG. 3 is a front elevation view thereof; and,  
FIG. 4 is a bottom plan view thereof.  
The subject matter shown in broken line represents unclaimed environmental structure which is shown for illustrative purposes and forms no part of the claimed design.

**1 Claim, 2 Drawing Sheets**





*FIG. 3*



*FIG. 4*

