



US00D482727S

(12) **United States Design Patent**  
**Hung**

(10) **Patent No.:** **US D482,727 S**

(45) **Date of Patent:** **\*\* Nov. 25, 2003**

(54) **MARKER**

(75) **Inventor:** **Peter M. H. Hung, Kowloon (HK)**

(73) **Assignee:** **Fulon Development Limited, Kowloon (HK)**

(\*\*) **Term:** **14 Years**

(21) **Appl. No.:** **29/177,394**

(22) **Filed:** **Mar. 11, 2003**

(51) **LOC (7) Cl.** ..... **19-06**

(52) **U.S. Cl.** ..... **D19/43; D19/55; D19/56; D19/57**

(58) **Field of Search** ..... 40/334; D19/35, D19/36, 41-51, 53-58, 81-85; 401/98, 131, 196, 195, 198, 6, 7, 8, 202, 213, 243-247, 261, 262; 24/3.12, 3.11, 11 C, 11 R, 3.5, 11 M

(56) **References Cited**

**U.S. PATENT DOCUMENTS**

- 1,263,327 A \* 4/1918 Kristofek ..... 40/334 X
- 2,272,674 A \* 2/1942 Kehr ..... 24/3.11
- 3,377,124 A \* 4/1968 Matsumoto ..... 401/198

- 4,285,101 A \* 8/1981 Hanna ..... 24/3.12
- D327,912 S \* 7/1992 Tsai ..... D19/51
- 5,308,178 A \* 5/1994 Jiang ..... 401/8
- D403,704 S \* 1/1999 Arita ..... D19/48
- D470,529 S \* 2/2003 Tu ..... D19/43
- D476,363 S \* 6/2003 Hung ..... D19/43

\* cited by examiner

*Primary Examiner*—Martie K. Holtje

(74) *Attorney, Agent, or Firm*—Rabin & Berdo, P.C.

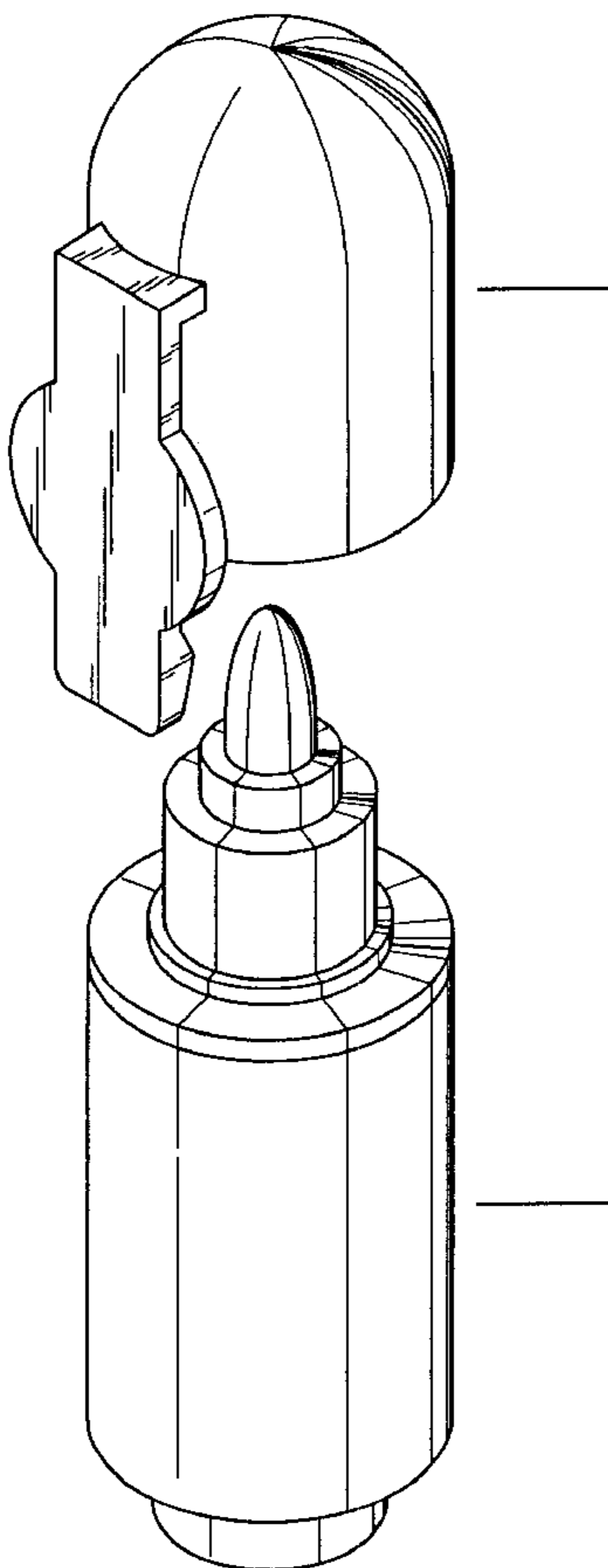
(57) **CLAIM**

The ornamental design for a marker, as shown and described.

**DESCRIPTION**

FIG. 1 is a perspective view of a marker showing my new design;  
 FIG. 2 is a front view thereof;  
 FIG. 3 is a rear view thereof;  
 FIG. 4 is a top plan view thereof;  
 FIG. 5 is a bottom plan view thereof;  
 FIG. 6 is a left side view thereof;  
 FIG. 7 is a right side view thereof; and,  
 FIG. 8 is a perspective view in a separated condition.

**1 Claim, 4 Drawing Sheets**



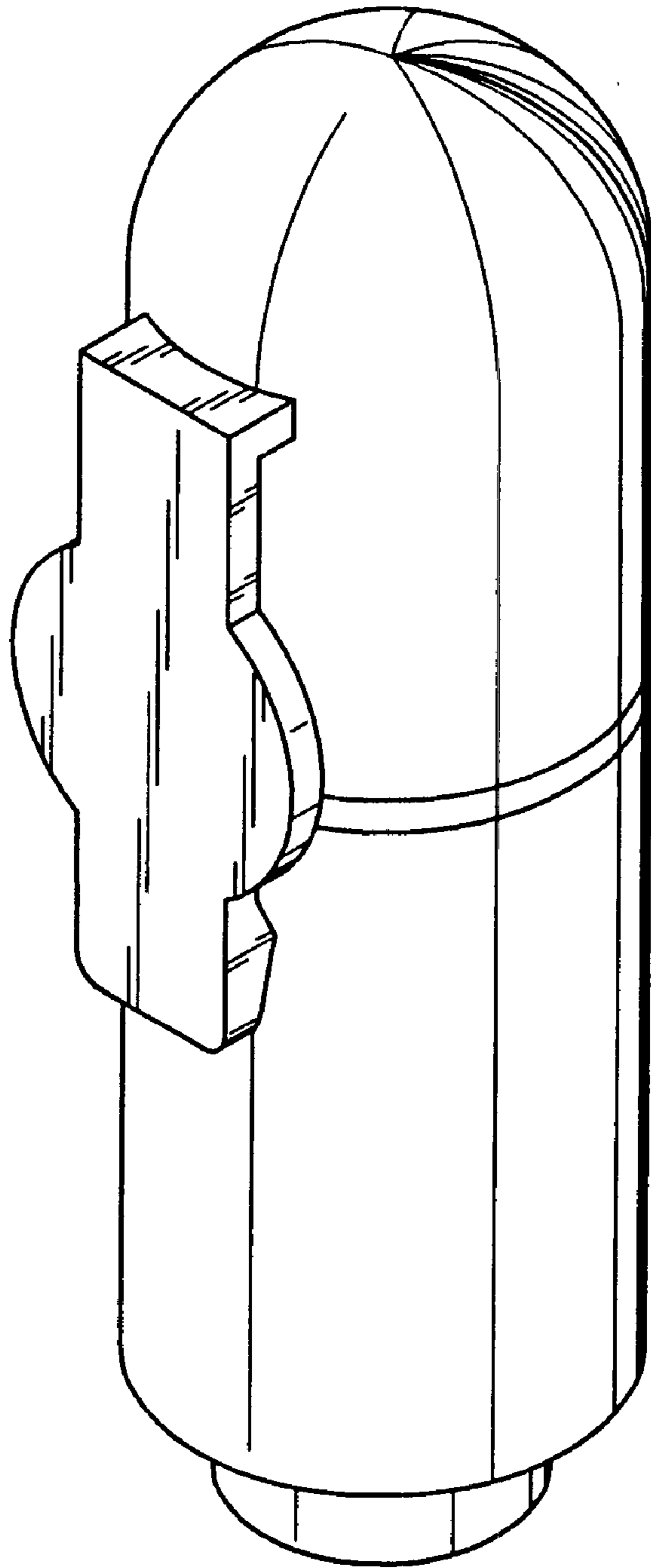


FIG. 1

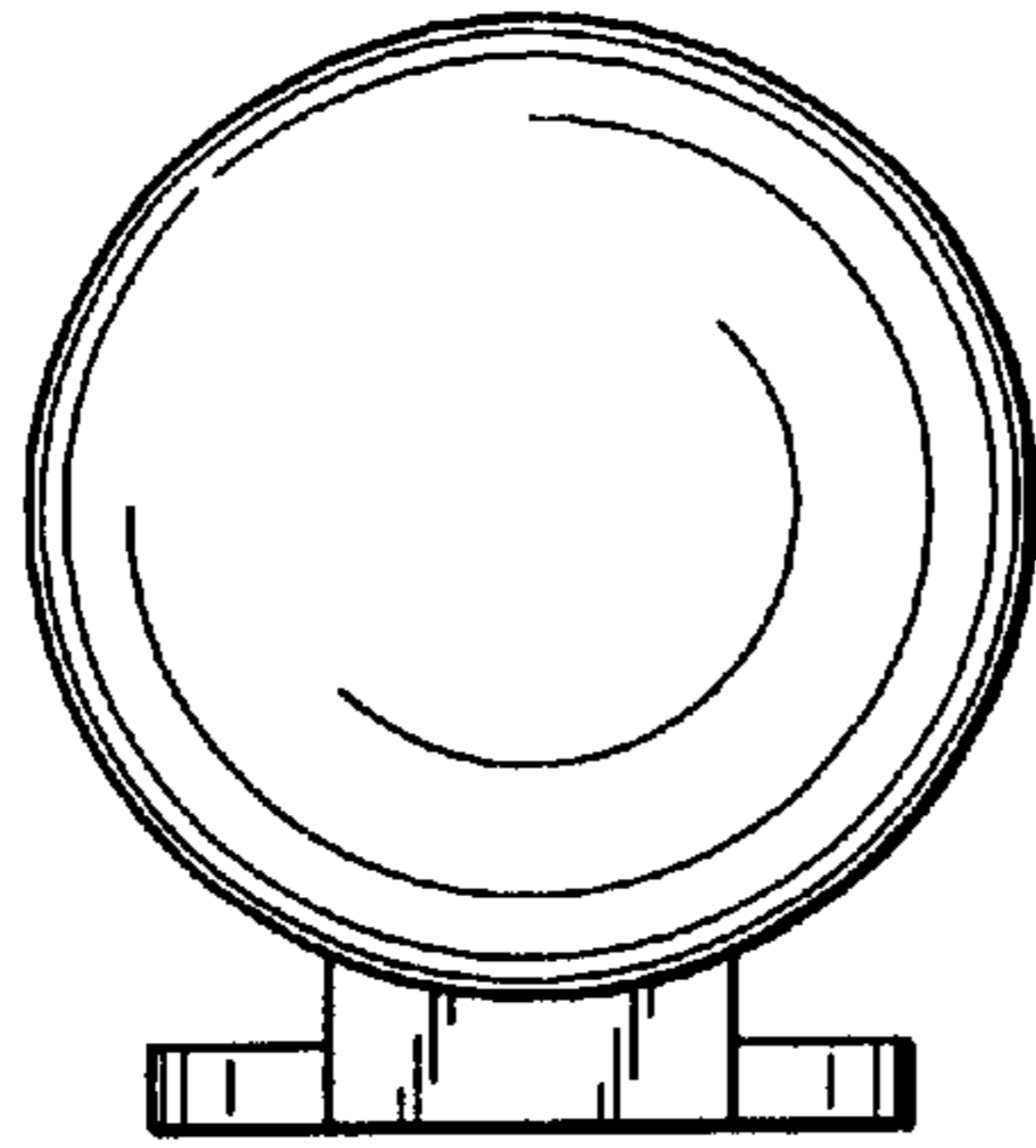


FIG. 4

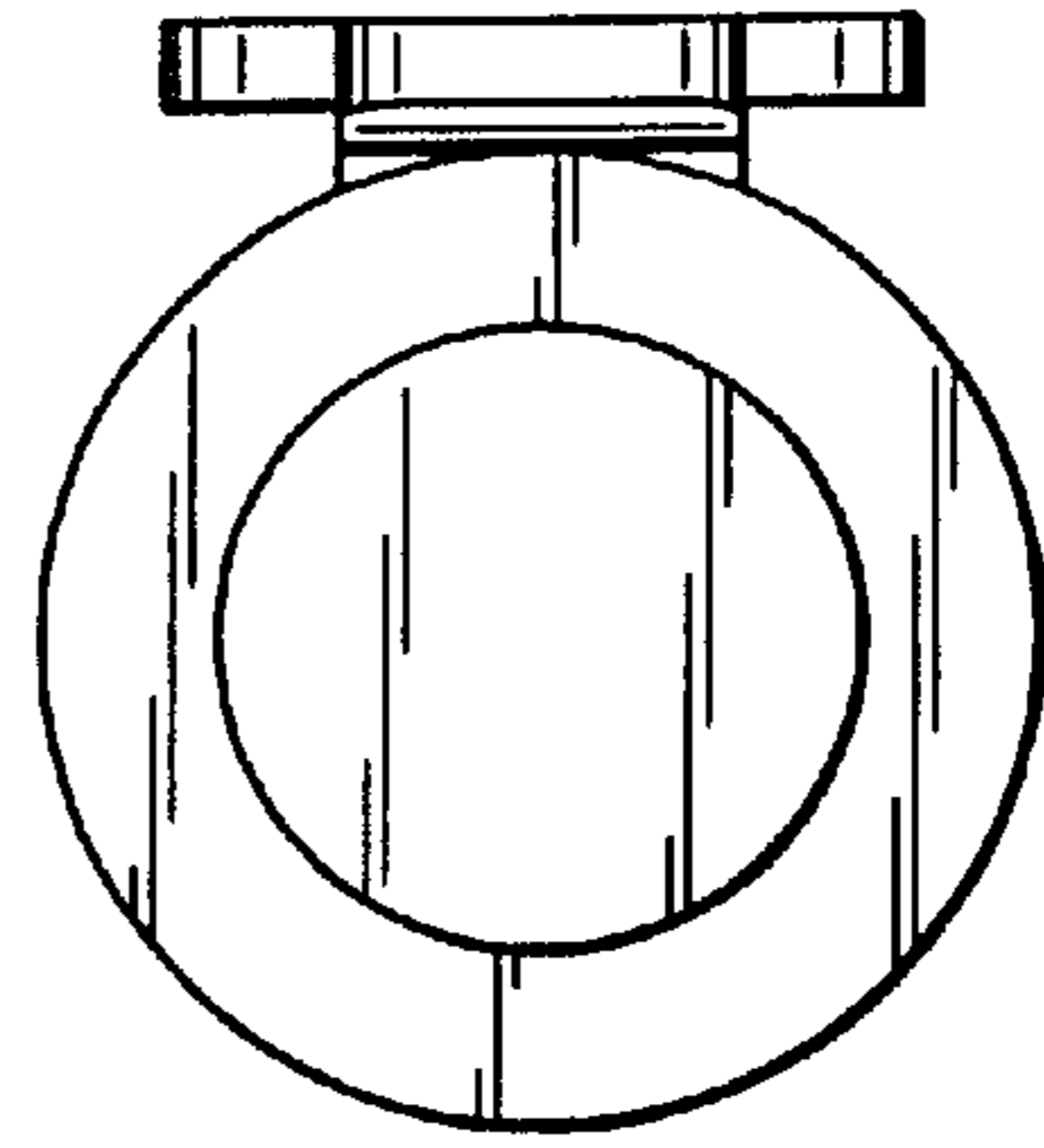


FIG. 5

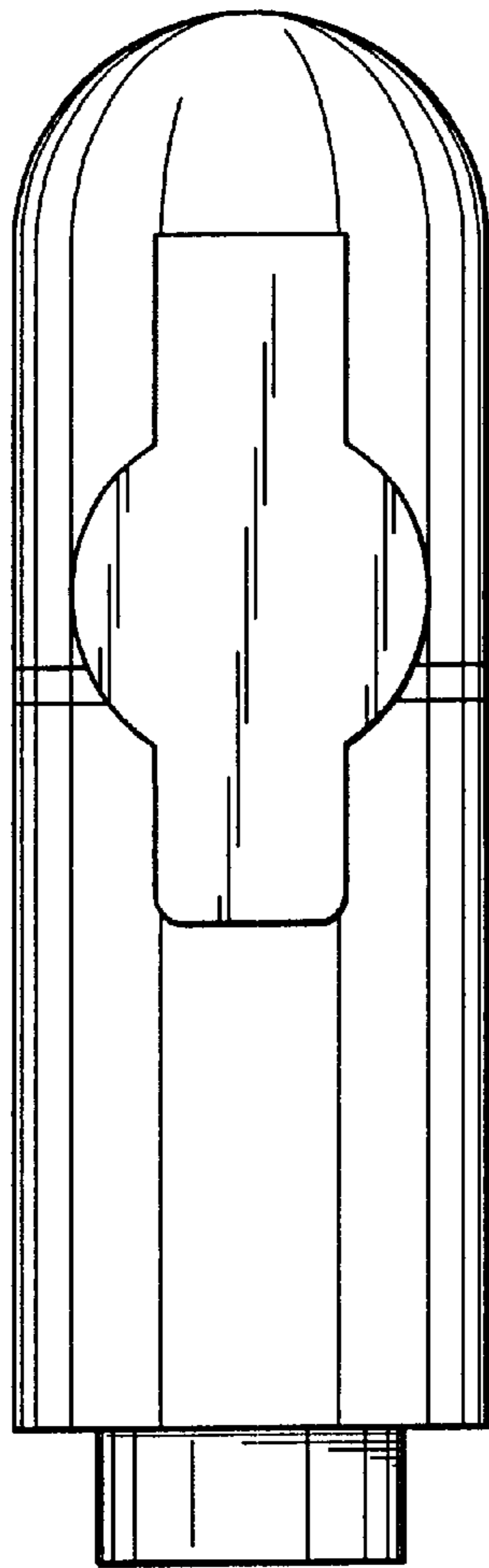


FIG. 2

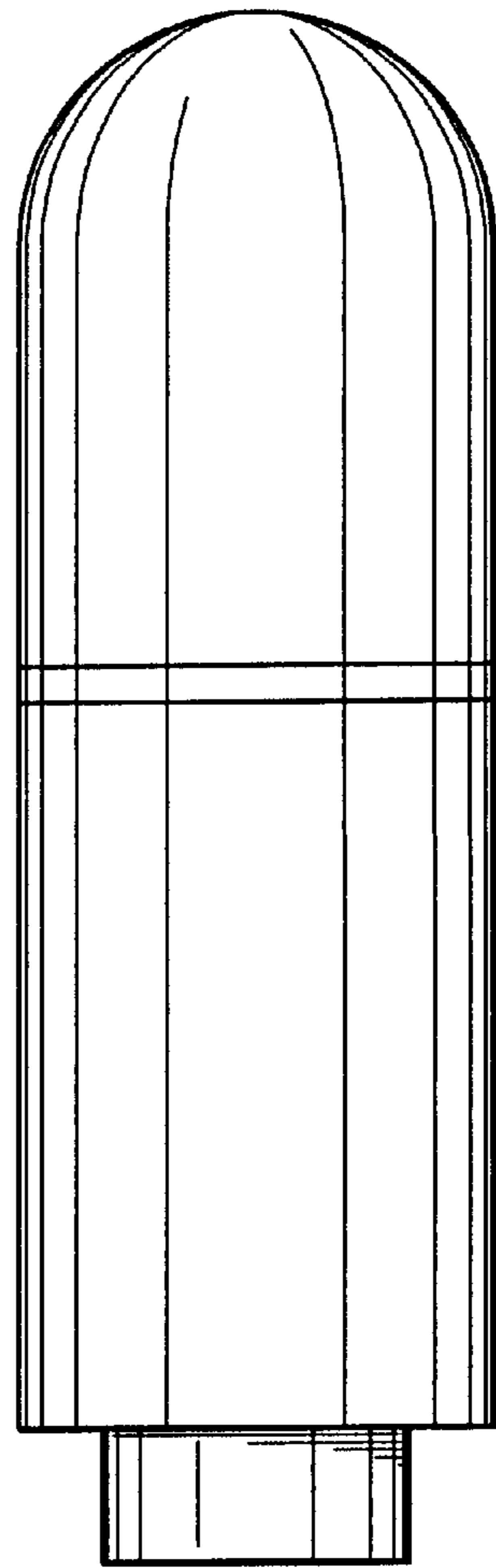


FIG. 3

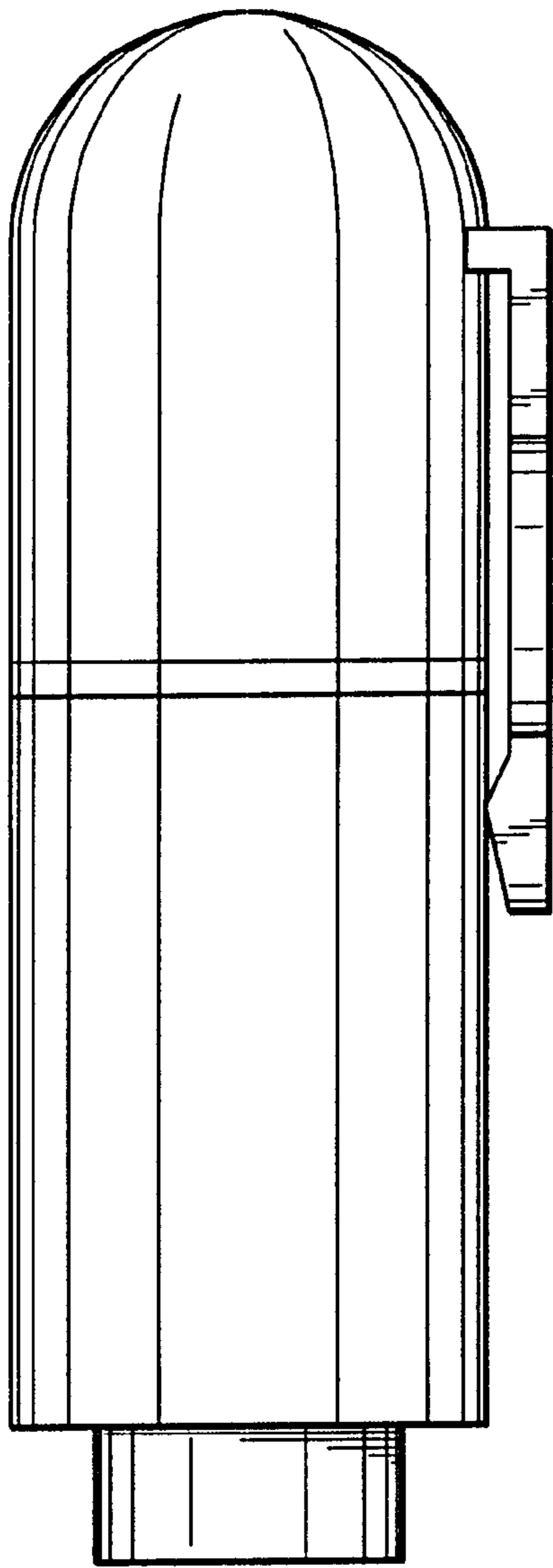


FIG. 6

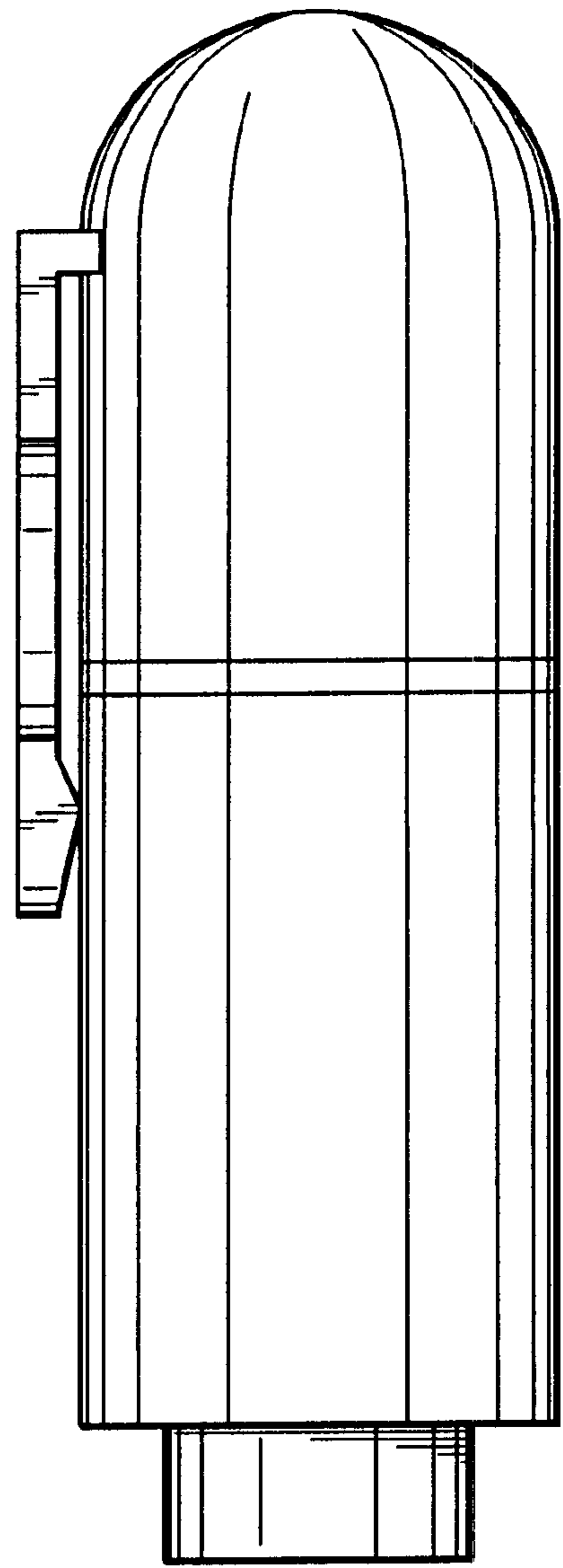


FIG. 7

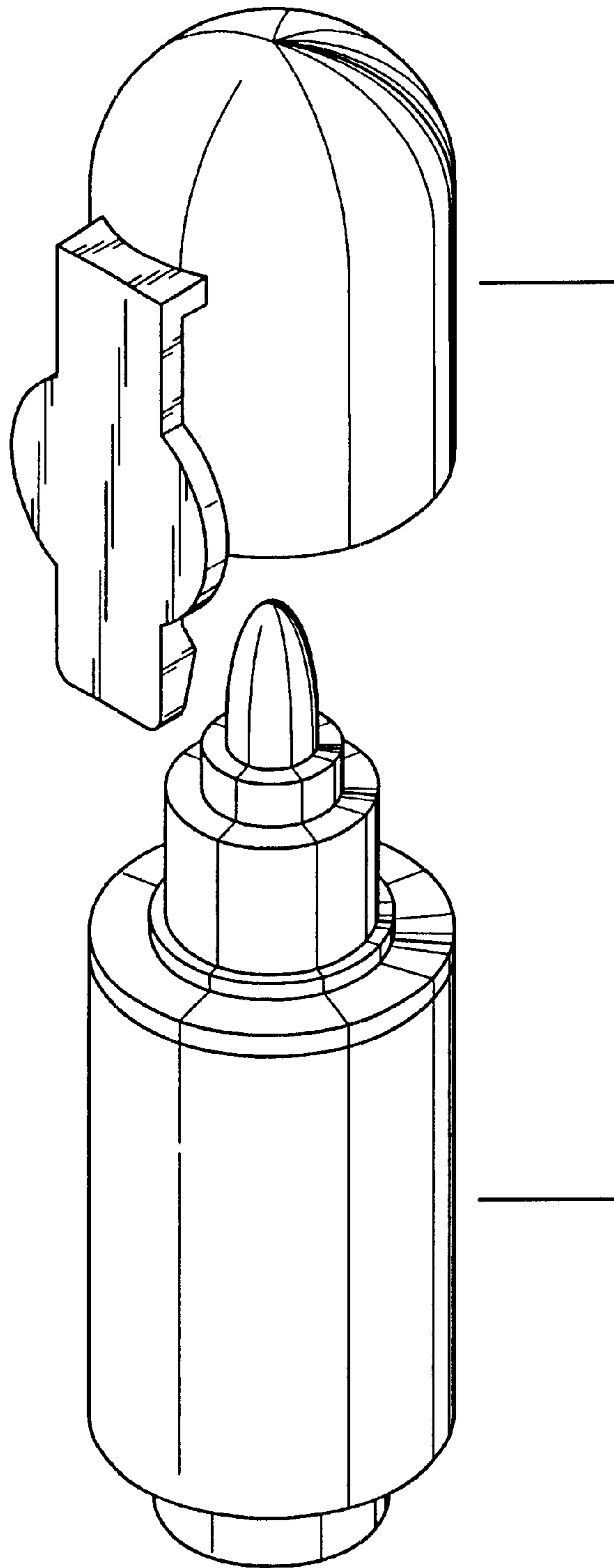


FIG. 8