



US00D482726S

(12) **United States Design Patent**  
**Hung**

(10) **Patent No.:** **US D482,726 S**

(45) **Date of Patent:** **\*\* Nov. 25, 2003**

(54) **MARKER**

(75) Inventor: **Peter M. H. Hung**, Kowloon (HK)

(73) Assignee: **Fulon Development Limited**, Kowloon (HK)

(\*\*) Term: **14 Years**

(21) Appl. No.: **29/177,392**

(22) Filed: **Mar. 11, 2003**

(51) **LOC (7) Cl.** ..... **19-06**

(52) **U.S. Cl.** ..... **D19/43; D19/56; D19/57**

(58) **Field of Search** ..... 40/334; D19/35, D19/36, 41-51, 53-58, 81-85; 401/98, 131, 196, 195, 198, 8, 202, 213, 243-247, 261, 262; 24/3.12, 3.11, 3.5, 11 R, 11 C, 10 R

(56) **References Cited**

**U.S. PATENT DOCUMENTS**

- 1,263,327 A \* 4/1918 Kristofek ..... 40/334
- 2,272,674 A \* 2/1942 Kehr ..... 40/334
- 4,285,101 A \* 8/1981 Hanna ..... 24/3.12
- D309,913 S \* 8/1990 Shintani ..... D19/43

- D318,294 S \* 7/1991 Cho-Kai ..... D19/48
- 5,308,178 A \* 5/1994 Jiang ..... 401/8
- D399,253 S \* 10/1998 Raymond ..... D19/36
- D403,704 S \* 1/1999 Arita ..... D19/48
- D470,529 S \* 2/2003 Tu ..... D19/43
- D476,363 S \* 6/2003 Hung ..... D19/43

\* cited by examiner

*Primary Examiner*—Martie K. Holtje

(74) *Attorney, Agent, or Firm*—Rabin & Berdo, P.C.

(57) **CLAIM**

The ornamental design for a marker, as shown and described.

**DESCRIPTION**

FIG. 1 is a perspective view of a marker showing my new design in an exploded condition;  
 FIG. 2 is a perspective view with the parts attached;  
 FIG. 3 is a front view of FIG. 1;  
 FIG. 4 is a rear view of FIG. 1;  
 FIG. 5 is a left side view of FIG. 1;  
 FIG. 6 is a right side view of FIG. 1;  
 FIG. 7 is a top plan view of FIG. 1; and,  
 FIG. 8 is a bottom plan view of FIG. 1.

**1 Claim, 4 Drawing Sheets**

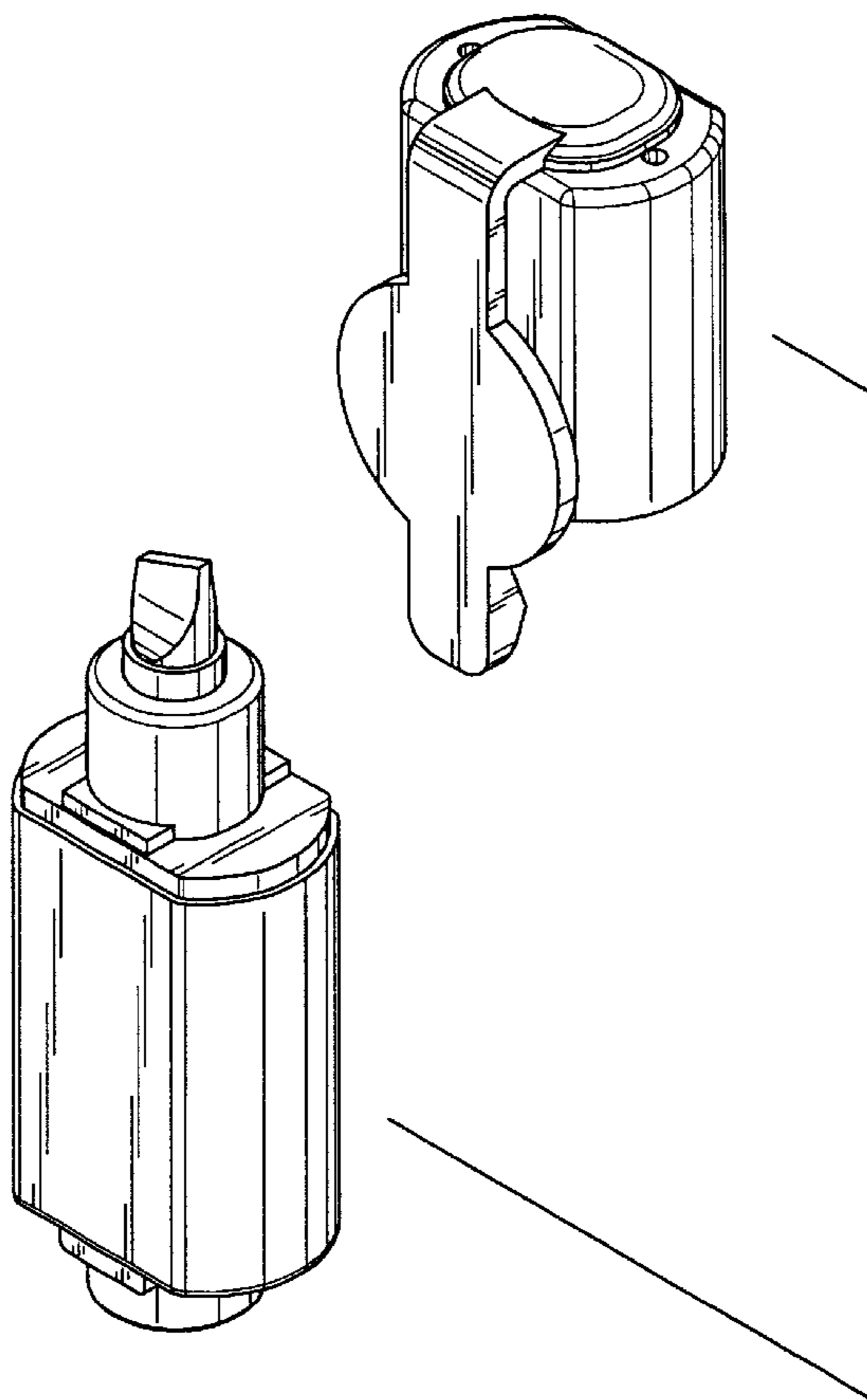


FIG. 2

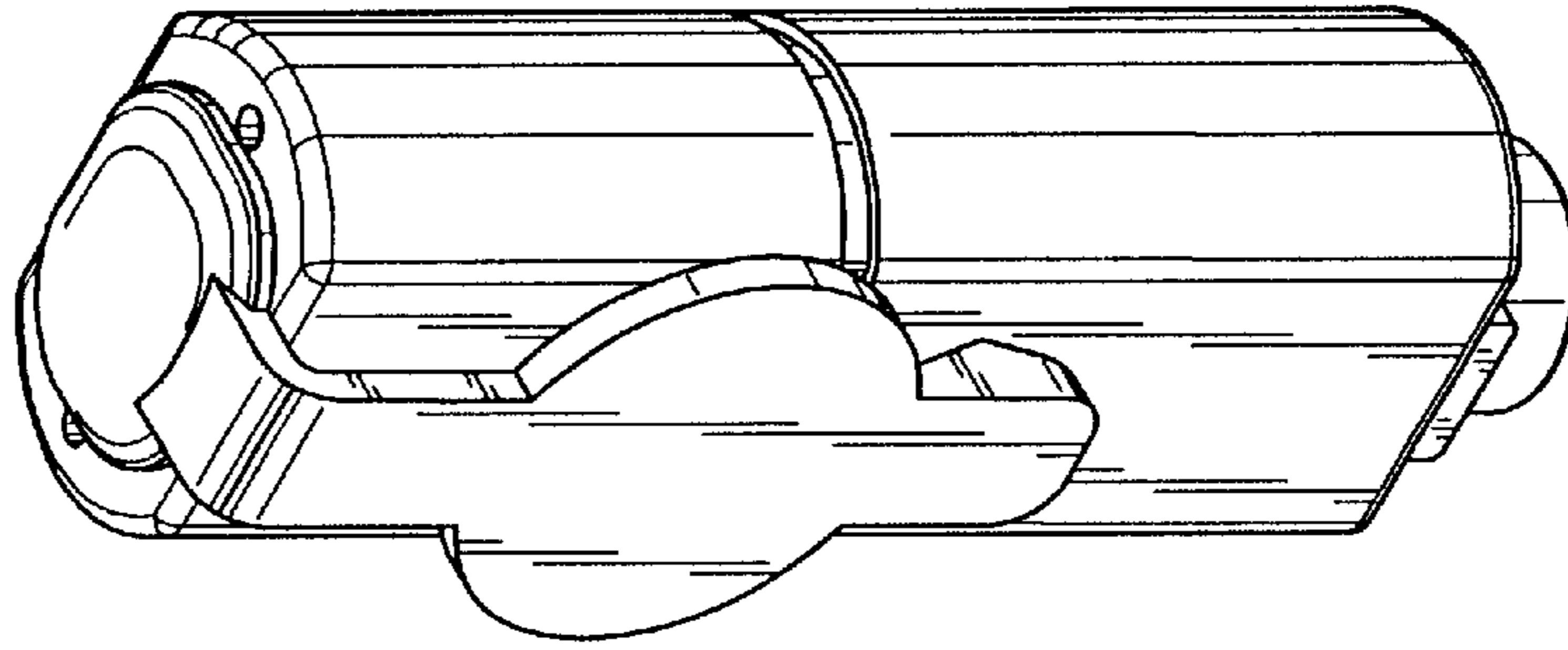
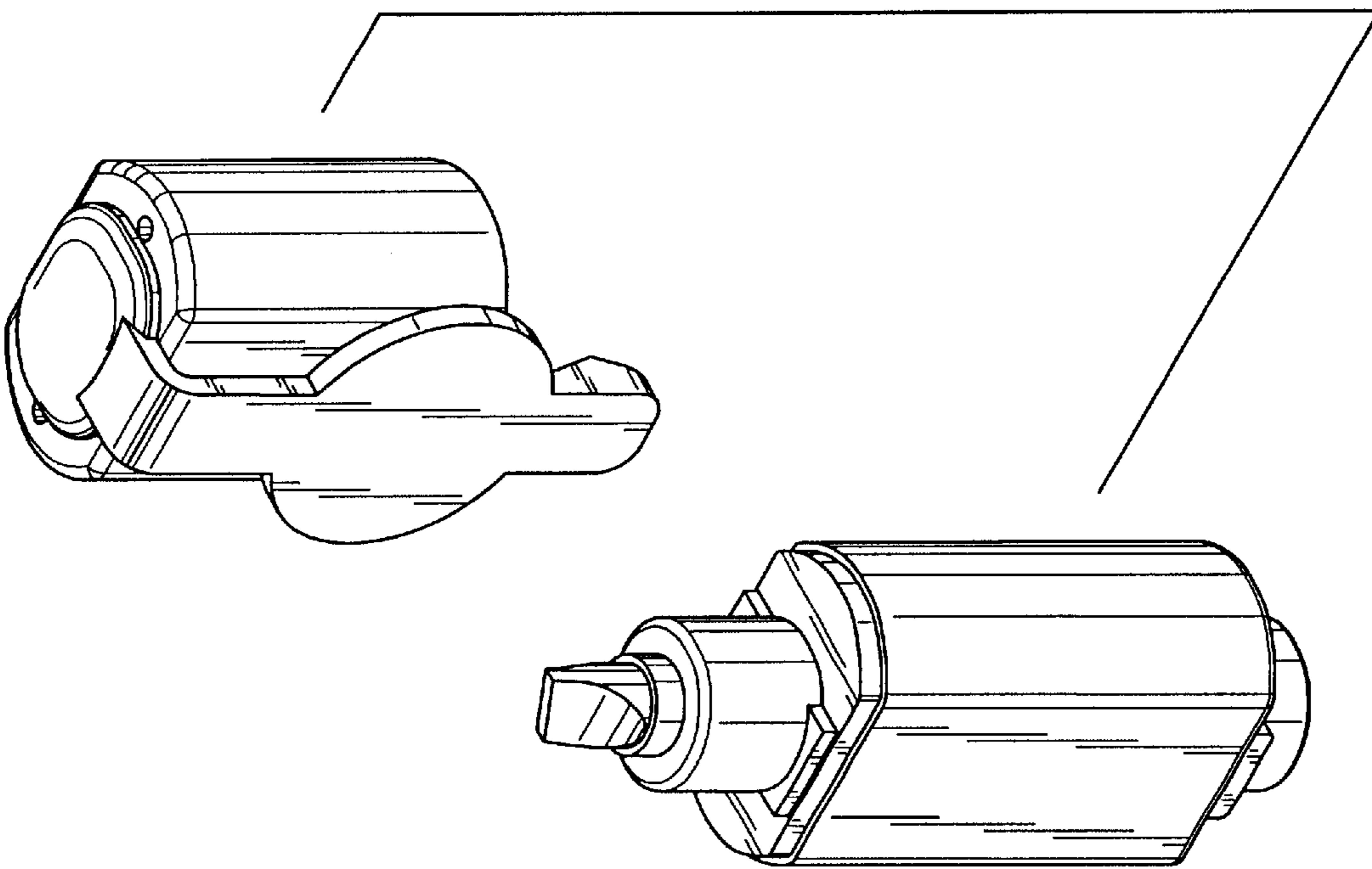


FIG. 1



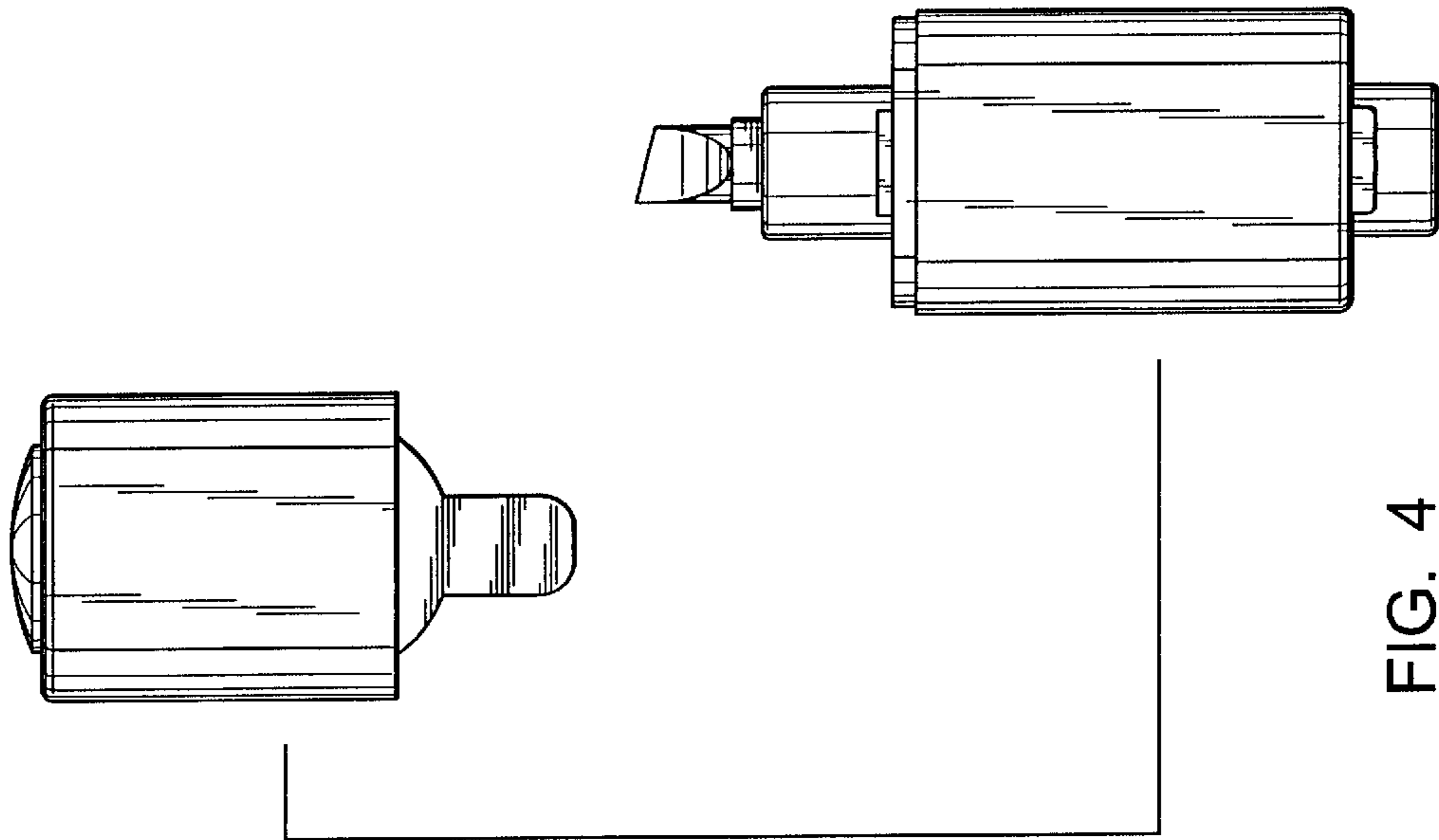


FIG. 3

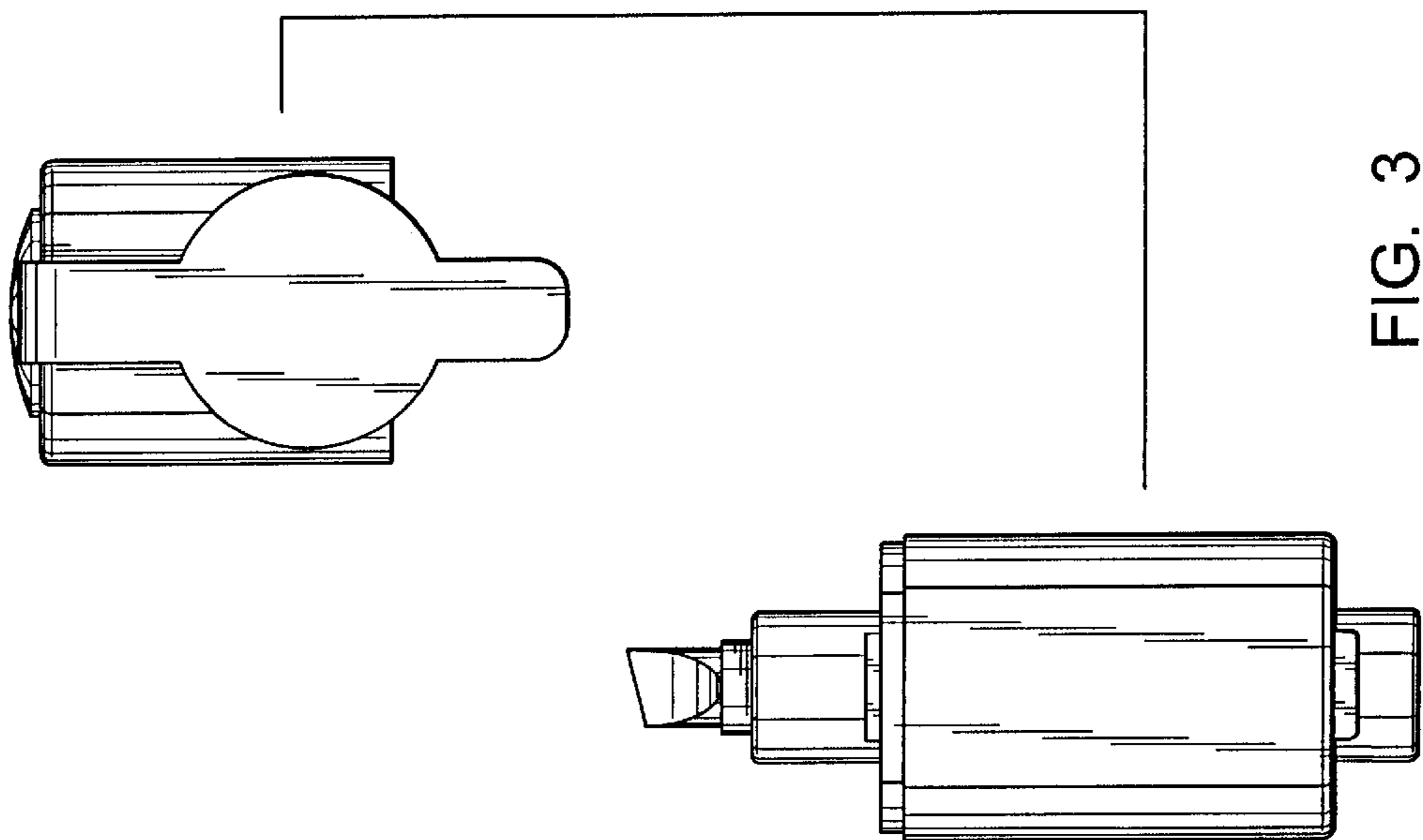


FIG. 4

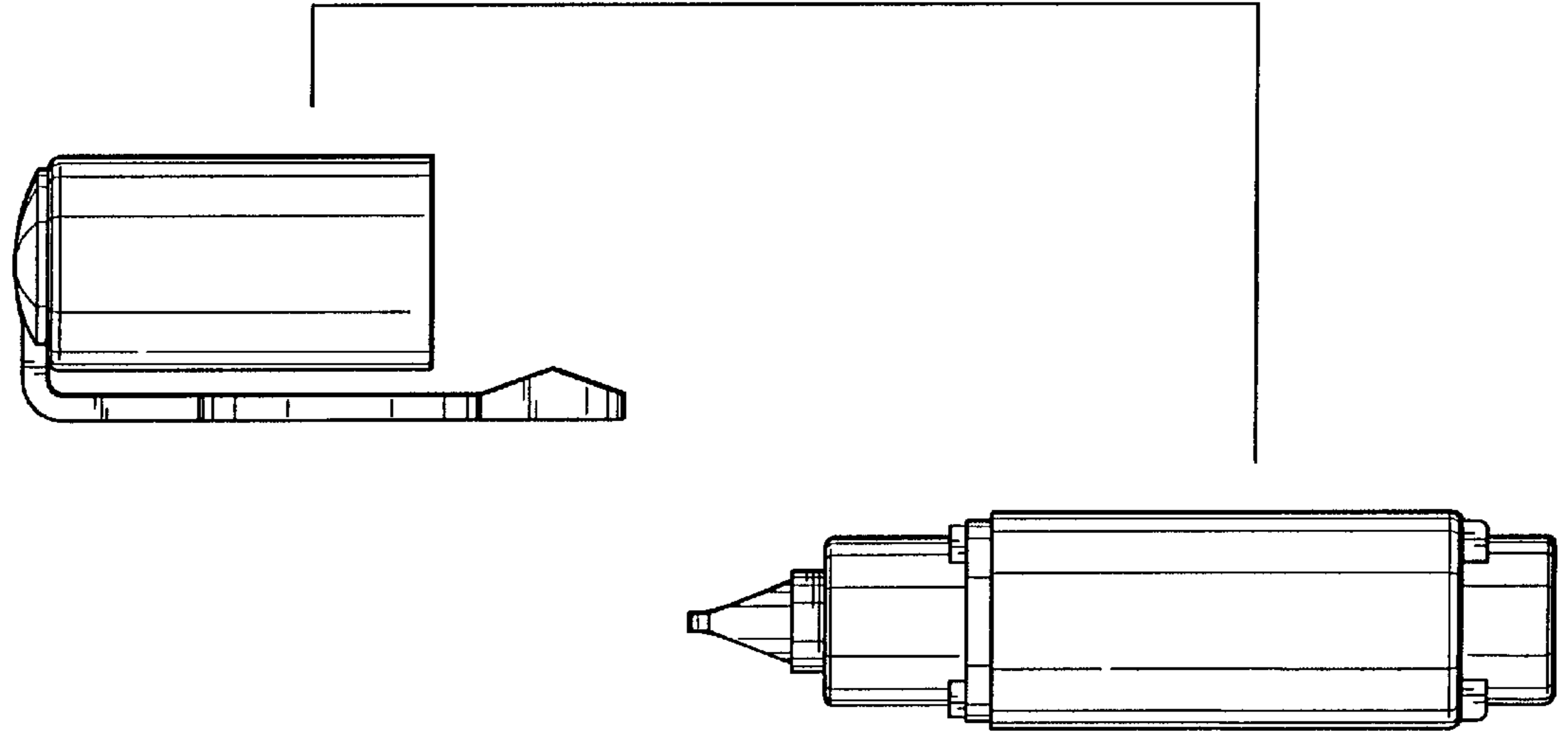


FIG. 5

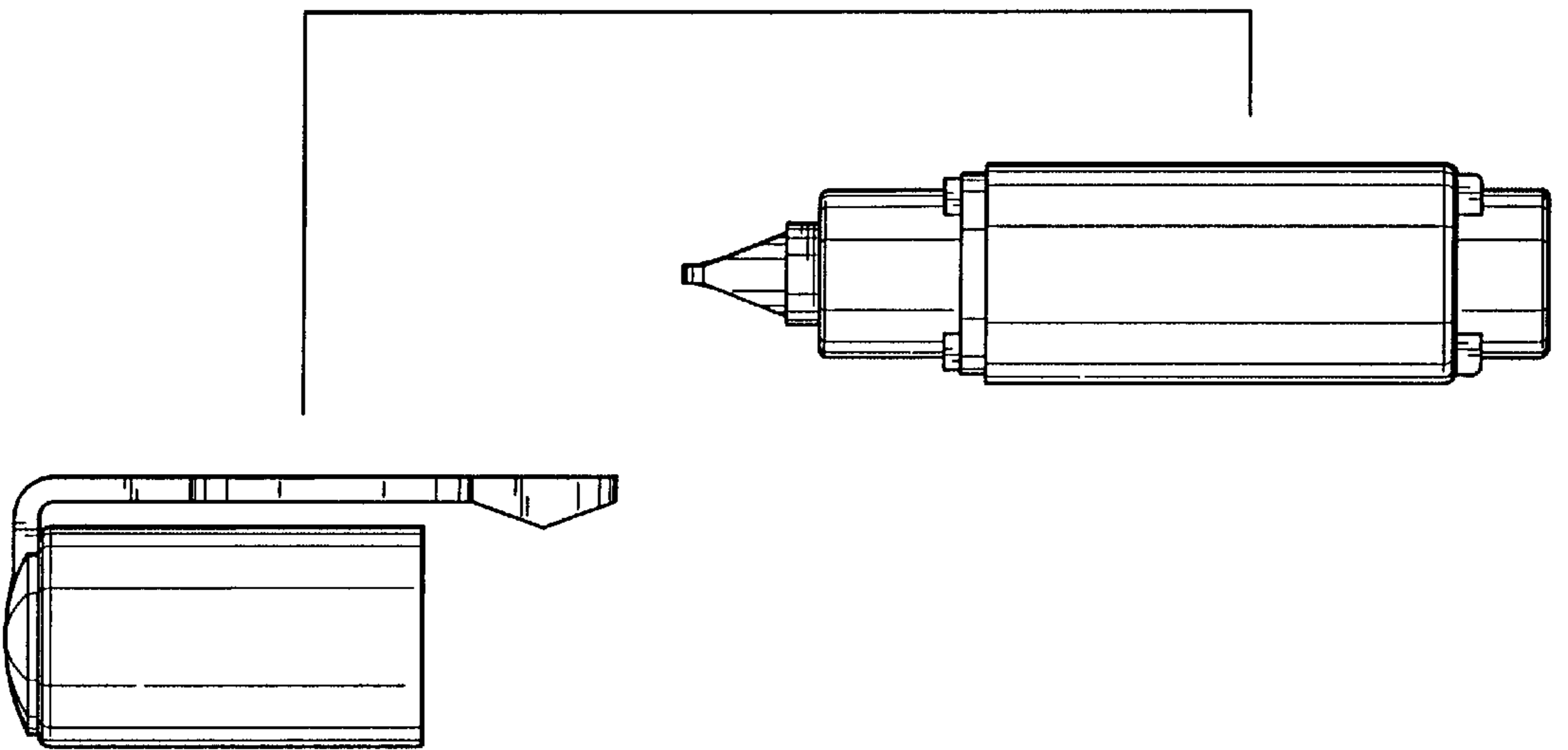


FIG. 6

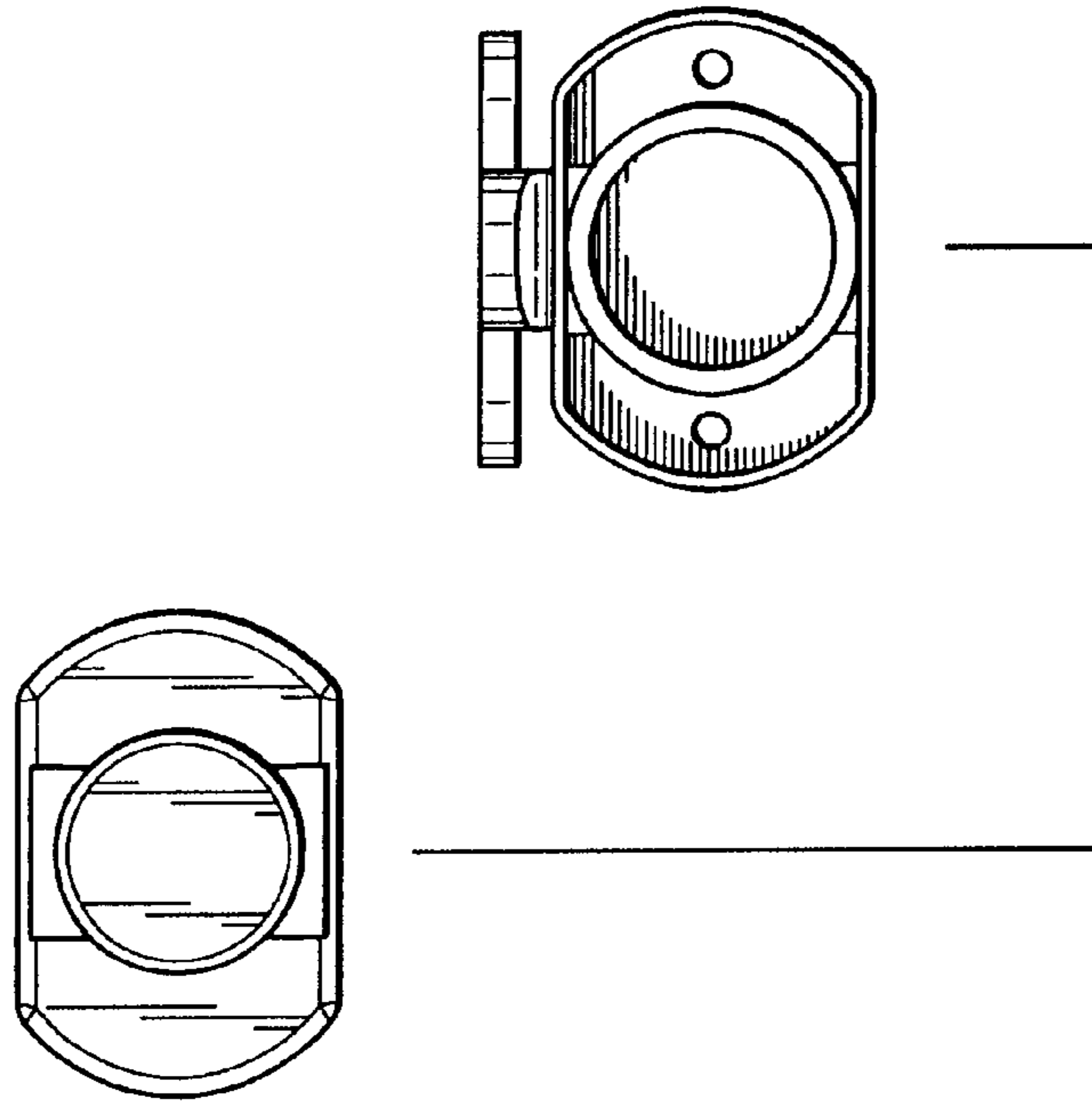


FIG. 7

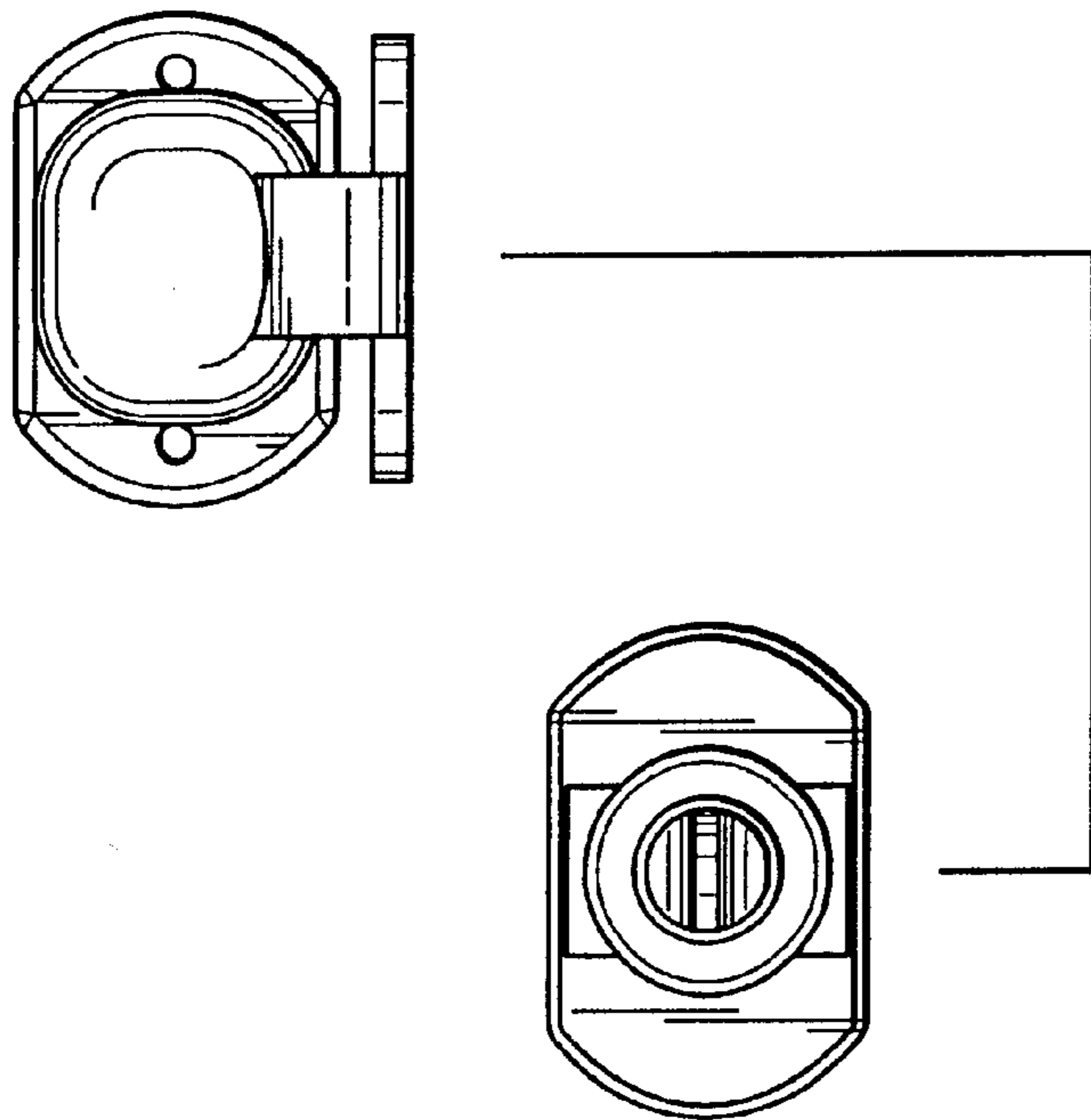


FIG. 8