



US00D482722S

(12) **United States Design Patent**
Jones

(10) **Patent No.:** **US D482,722 S**

(45) **Date of Patent:** **** *Nov. 25, 2003**

(54) **COLOR INK STICK FOR SOLID INK
PRINTER**

5,784,089 A * 7/1998 Crawford 347/88
D469,825 S * 2/2003 Manville D21/499

(75) Inventor: **Brent R. Jones**, Tualatin, OR (US)

* cited by examiner

(73) Assignee: **Xerox Corporation**, Stamford, CT
(US)

Primary Examiner—Cathy Anne MacCormac

(*) Notice: This patent is subject to a terminal dis-
claimer.

(57) **CLAIM**

The ornamental design for a color ink stick for solid ink
printer, as shown and described.

(**) Term: **14 Years**

DESCRIPTION

(21) Appl. No.: **29/168,072**

FIG. 1 is a front perspective view of a color ink stick for
solid ink printer showing my new design.

(22) Filed: **Sep. 25, 2002**

FIG. 2 is a right side elevation view thereof;

(51) **LOC (7) Cl.** **18-02**

FIG. 3 is a front elevation view thereof;

(52) **U.S. Cl.** **D18/56**

FIG. 4 is a left side elevation view thereof;

(58) **Field of Search** D18/56, 43; 347/88,
347/99; 106/31.29, 31.61; D21/484, 486,
490, 491, 493, 499; 434/493, 159

FIG. 5 is a rear elevation view thereof;

FIG. 6 is a top plan view thereof; and,

FIG. 7 is a bottom plan view thereof.

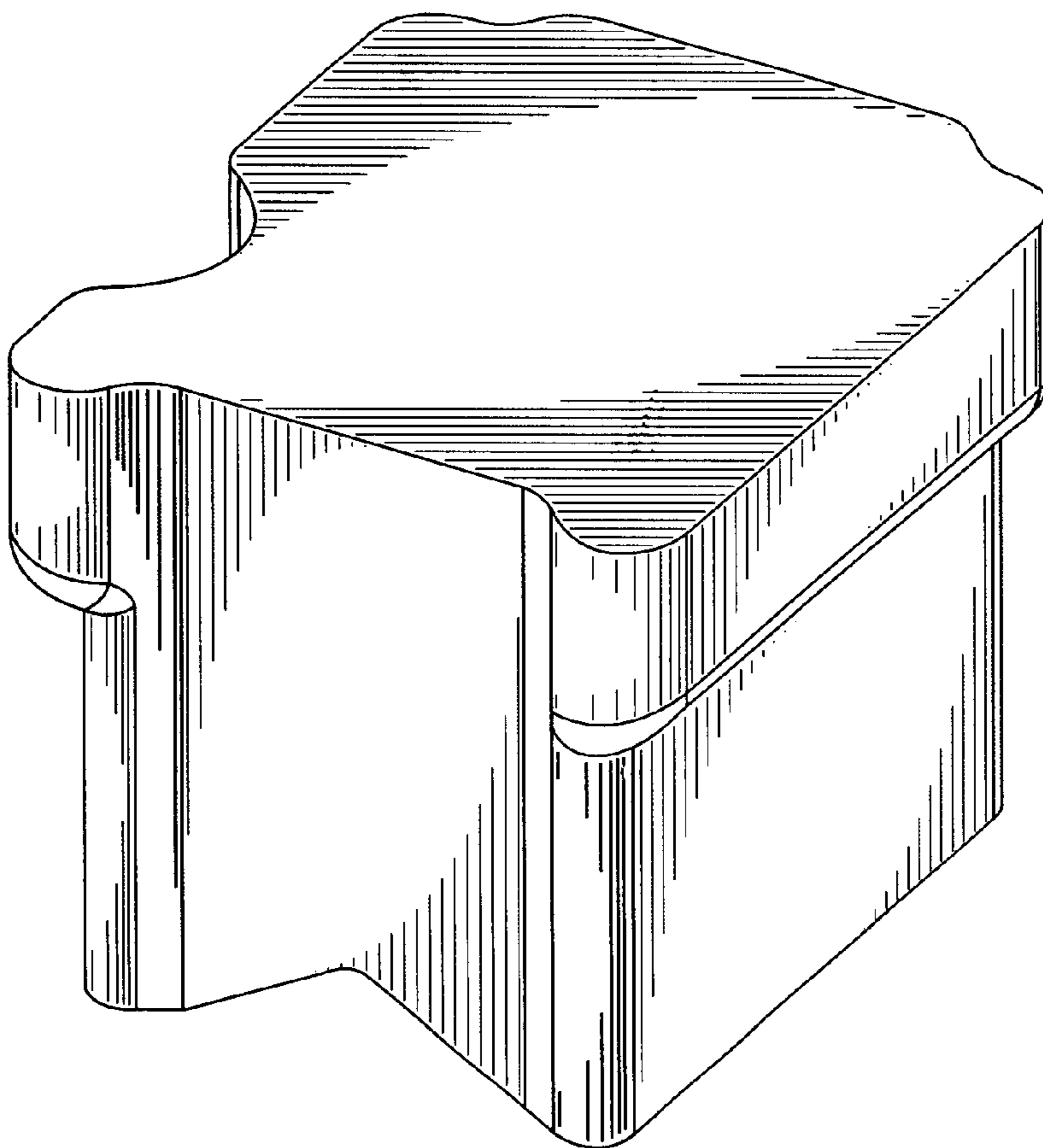
(56) **References Cited**

The broken lines are for purposes of illustration only and
form no part of the claimed design.

U.S. PATENT DOCUMENTS

5,734,402 A * 3/1998 Rousseau et al. 347/88

1 Claim, 4 Drawing Sheets



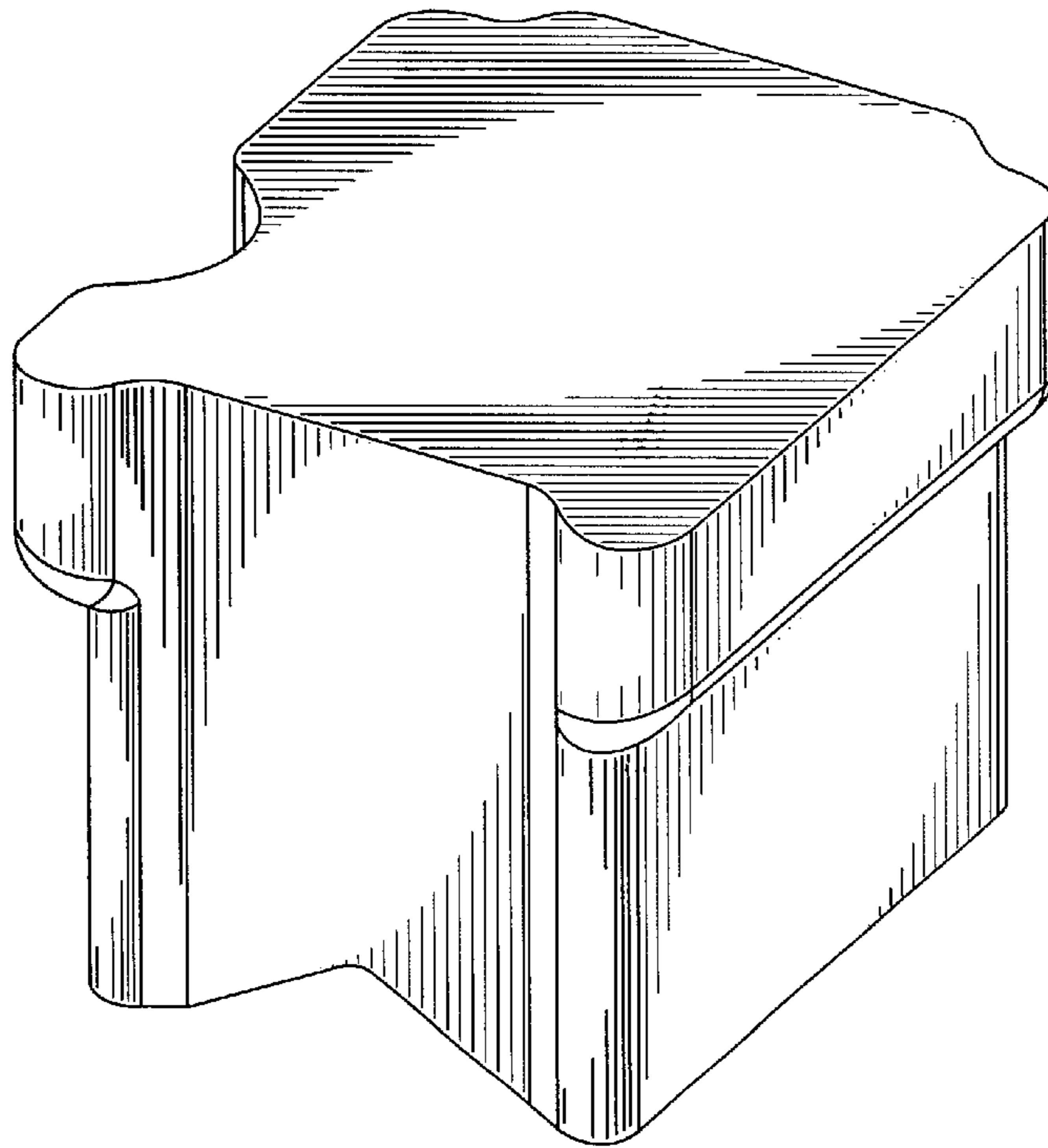


FIG. 1

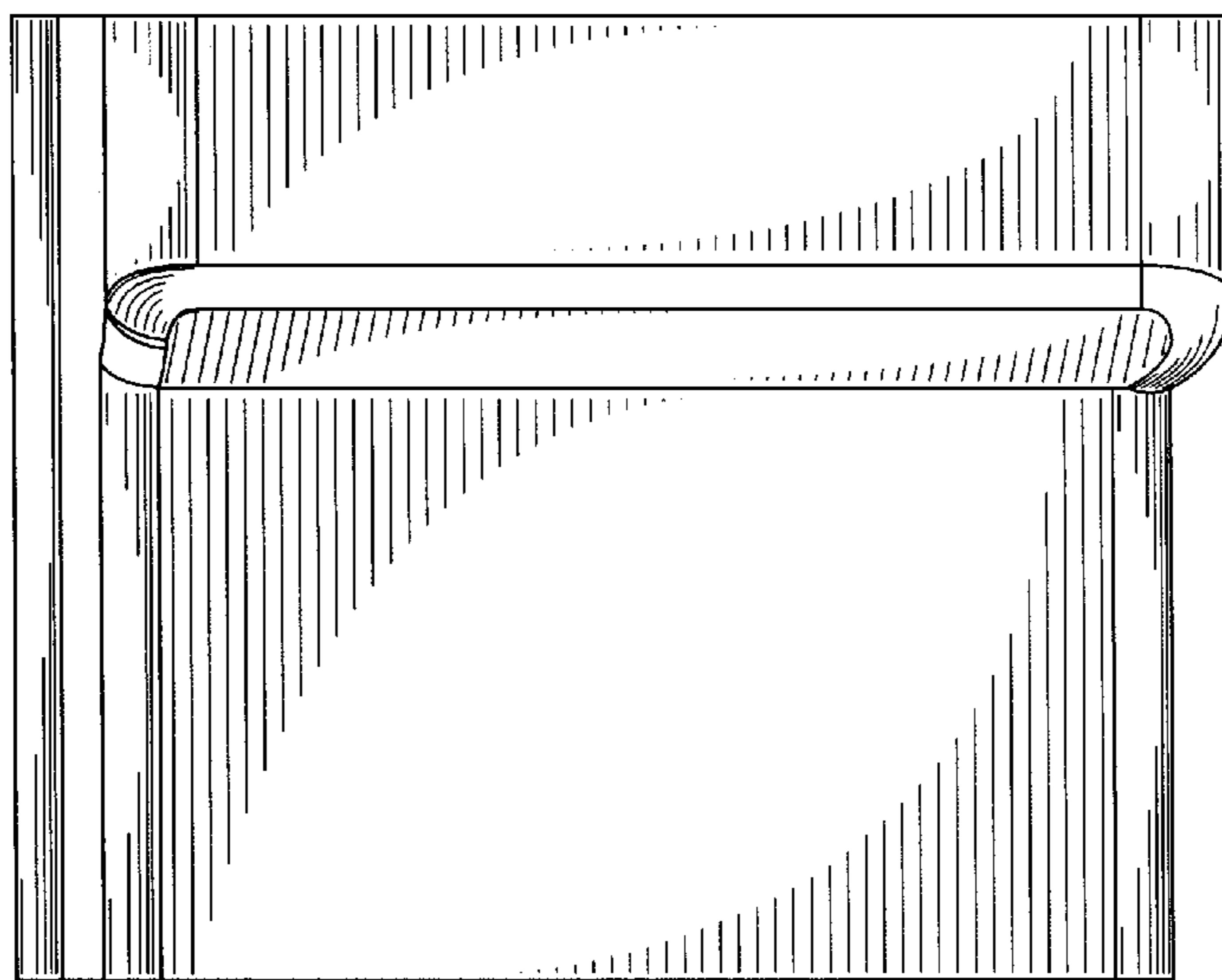


FIG. 2

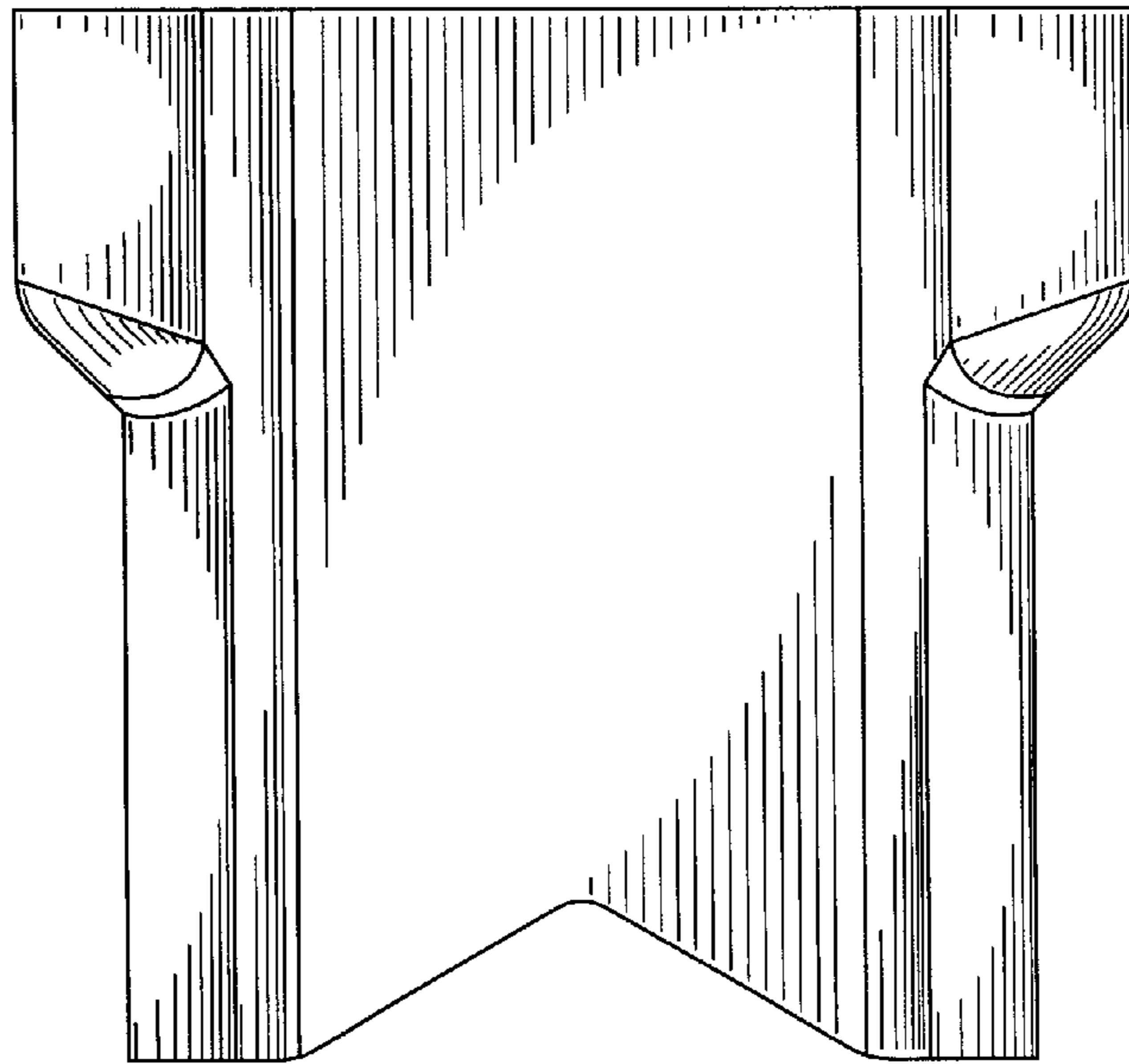


FIG. 3

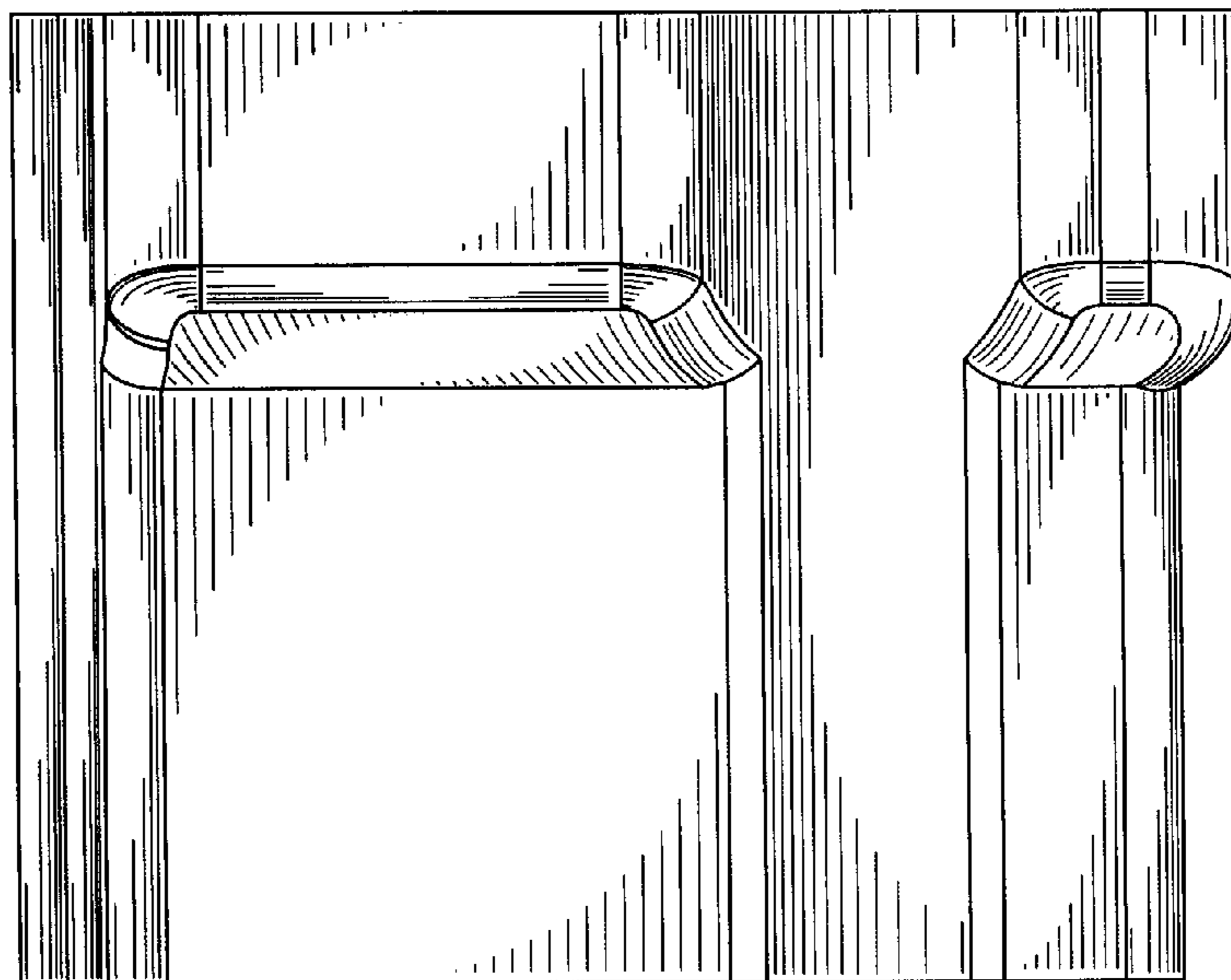


FIG. 4

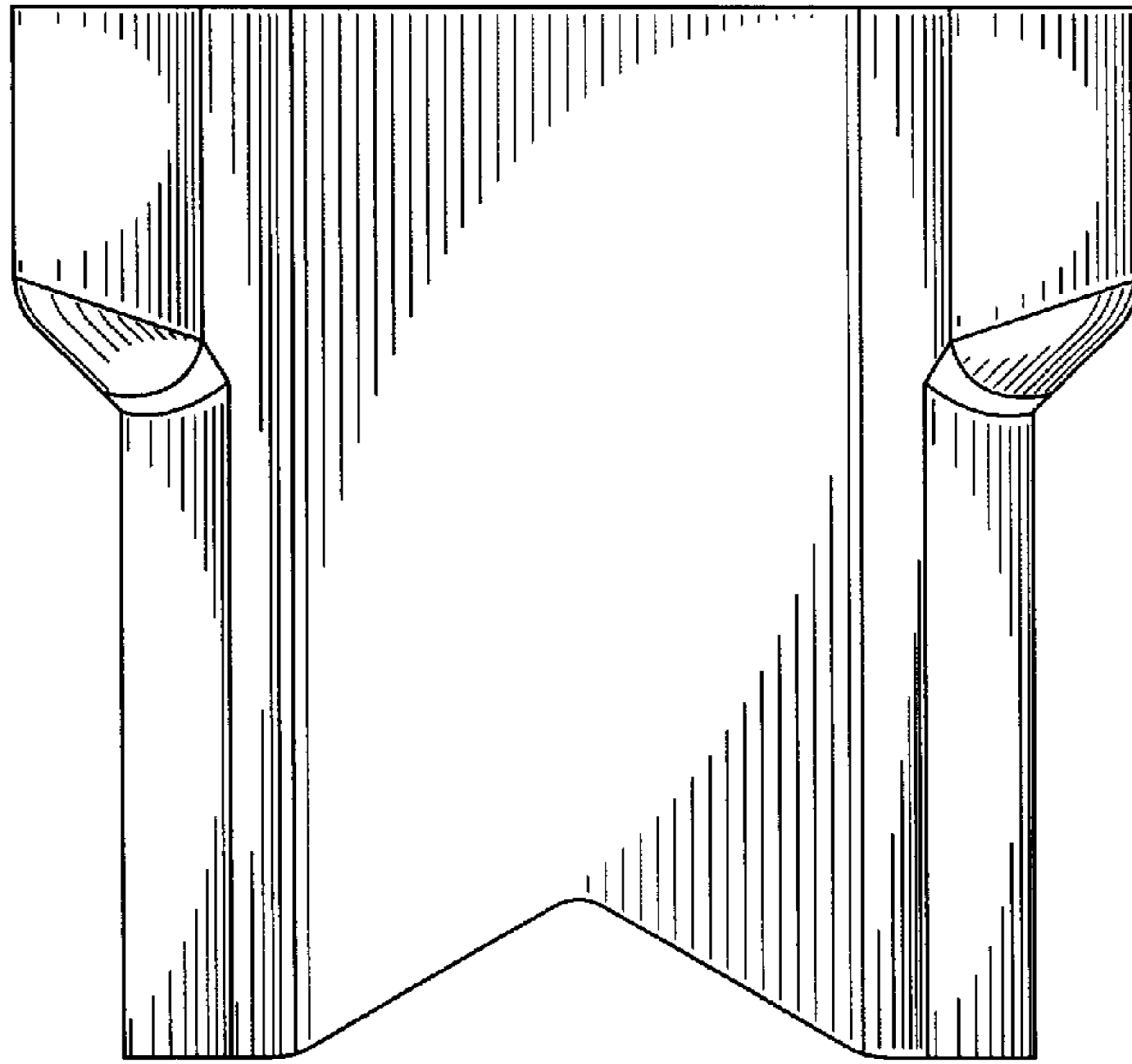


FIG. 5

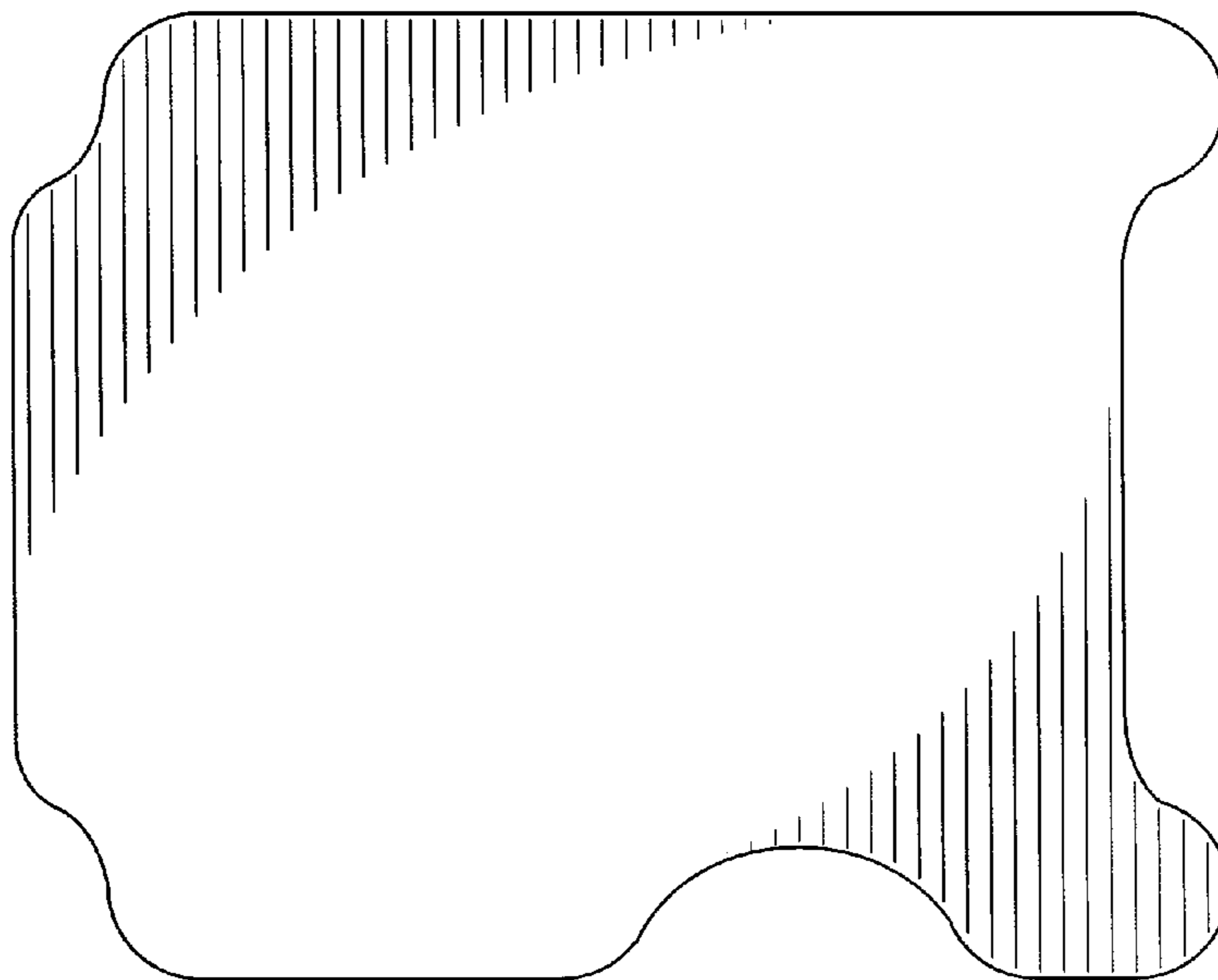


FIG. 6

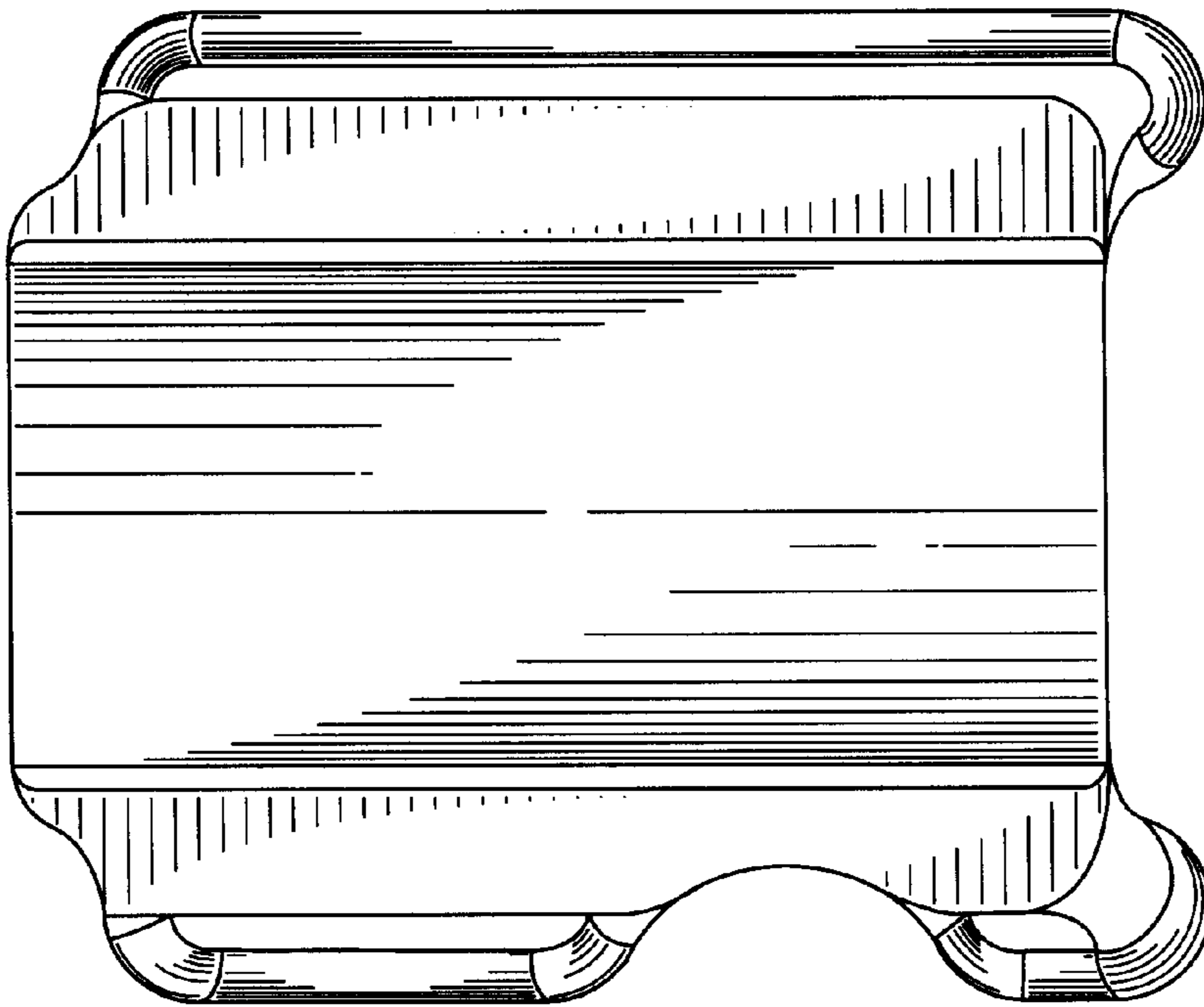


FIG. 7

UNITED STATES PATENT AND TRADEMARK OFFICE
CERTIFICATE OF CORRECTION

PATENT NO. : Des. 482,722 S
APPLICATION NO. : 29/168072
DATED : November 25, 2003
INVENTOR(S) : Brent R. Jones

Page 1 of 2

It is certified that error appears in the above-identified patent and that said Letters Patent is hereby corrected as shown below:

Figures 2 and 7 should appear as follows:

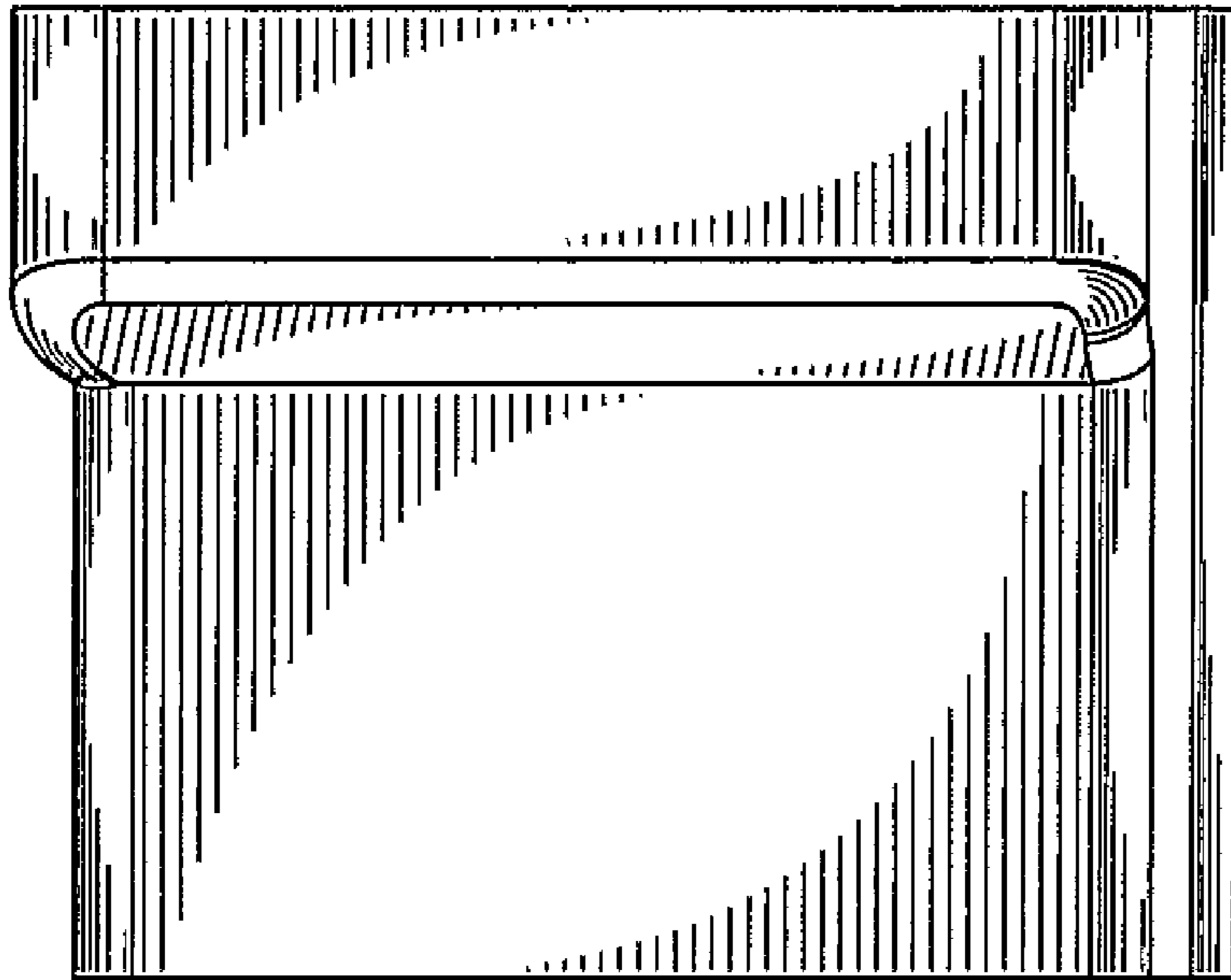


FIG. 2

UNITED STATES PATENT AND TRADEMARK OFFICE
CERTIFICATE OF CORRECTION

PATENT NO. : Des. 482,722 S
APPLICATION NO. : 29/168072
DATED : November 25, 2003
INVENTOR(S) : Brent R. Jones

Page 2 of 2

It is certified that error appears in the above-identified patent and that said Letters Patent is hereby corrected as shown below:

Figures 2 and 7 should appear as follows:

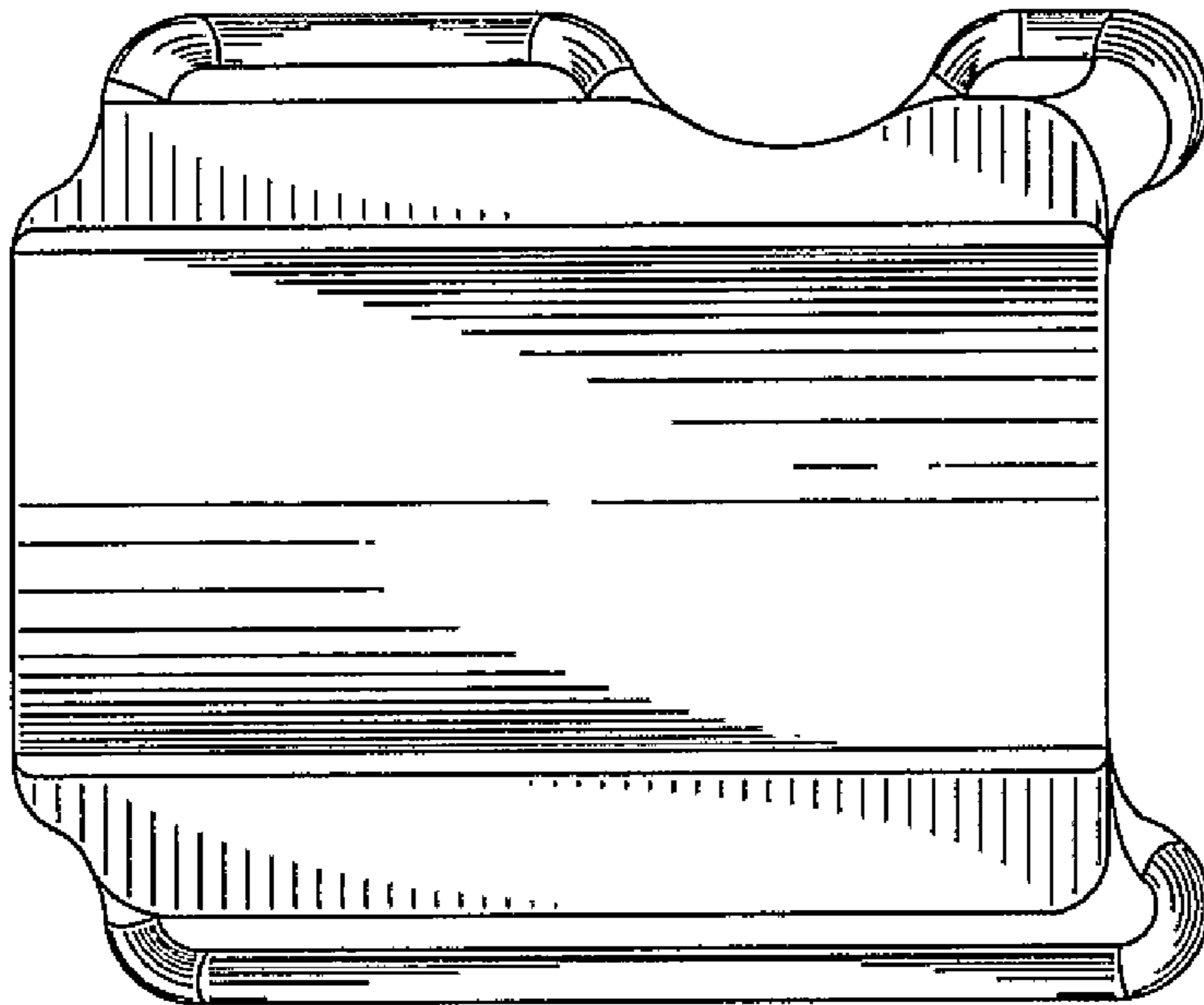


FIG. 7

Signed and Sealed this

Eighth Day of May, 2007

JON W. DUDAS

Director of the United States Patent and Trademark Office