



US00D482721S

(12) **United States Design Patent** (10) **Patent No.:** **US D482,721 S**
Jones (45) **Date of Patent:** **** *Nov. 25, 2003**

(54) **COLOR INK STICK FOR SOLID INK PRINTER**
(75) Inventor: **Brent R. Jones**, Tualatin, OR (US)
(73) Assignee: **Xerox Corporation**, Stamford, CT (US)
(*) Notice: This patent is subject to a terminal disclaimer.
(**) Term: **14 Years**
(21) Appl. No.: **29/167,969**
(22) Filed: **Sep. 25, 2002**
(51) **LOC (7) Cl.** **18-02**
(52) **U.S. Cl.** **D18/56**
(58) **Field of Search** D18/56, 43; 347/88, 347/99; 106/31.29, 31.61; D21/484, 486, 490, 491, 493, 499; 434/159, 403

D403,699 S 1/1999 Chin et al.
D407,109 S 3/1999 Yao et al.
D407,110 S 3/1999 Yao et al.
D407,111 S 3/1999 Brown et al.
D407,112 S 3/1999 Chin et al.
D407,742 S 4/1999 Yao et al.
D407,743 S 4/1999 Yao et al.
D407,745 S 4/1999 Brown et al.
D408,849 S 4/1999 Chin et al.
D409,235 S 5/1999 Chin et al.
D409,237 S 5/1999 Ellers et al.
D410,026 S 5/1999 Brown et al.
D410,490 S 6/1999 Mattern et al.
D412,527 S 8/1999 Ellers et al.
D412,528 S 8/1999 Ellers et al.
D412,934 S 8/1999 Jones
D413,625 S 9/1999 Brown et al.
D414,200 S 9/1999 Jones
D415,193 S 10/1999 Jones
D436,124 S 1/2001 Mattern et al.
D436,989 S 1/2001 Mattern et al.
D440,248 S 4/2001 Mattern et al.
D440,249 S 4/2001 Ellers et al.
D453,786 S 2/2002 Mattern
D453,787 S 2/2002 Mattern
D469,825 S * 2/2003 Manville et al. D21/499

(56) **References Cited**

U.S. PATENT DOCUMENTS

D335,683 S 5/1993 Smith
5,223,860 A 6/1993 Loofbourow et al.
D346,821 S 5/1994 Smith
5,442,387 A 8/1995 Loofbourow et al.
5,510,821 A 4/1996 Jones et al.
D371,801 S 7/1996 Jones et al.
D371,802 S 7/1996 Jones et al.
D372,268 S 7/1996 Jones et al.
D372,270 S 7/1996 Jones et al.
D373,139 S 8/1996 Jones et al.
D379,470 S 5/1997 Gilbert
D379,471 S 5/1997 Gilbert
D379,639 S 6/1997 Gilbert
D379,640 S 6/1997 Gilbert
D380,771 S 7/1997 Jones
D383,153 S 9/1997 Jones et al.
D383,154 S 9/1997 Jones et al.
5,734,402 A * 3/1998 Rousseau et al. 347/88
5,784,089 A * 7/1998 Crawford 347/88
D402,308 S 12/1998 Yao et al.
D403,351 S 12/1998 Yao et al.
D403,352 S 12/1998 Brown et al.

* cited by examiner

Primary Examiner—Cathy Anne MacCormac

(57) **CLAIM**

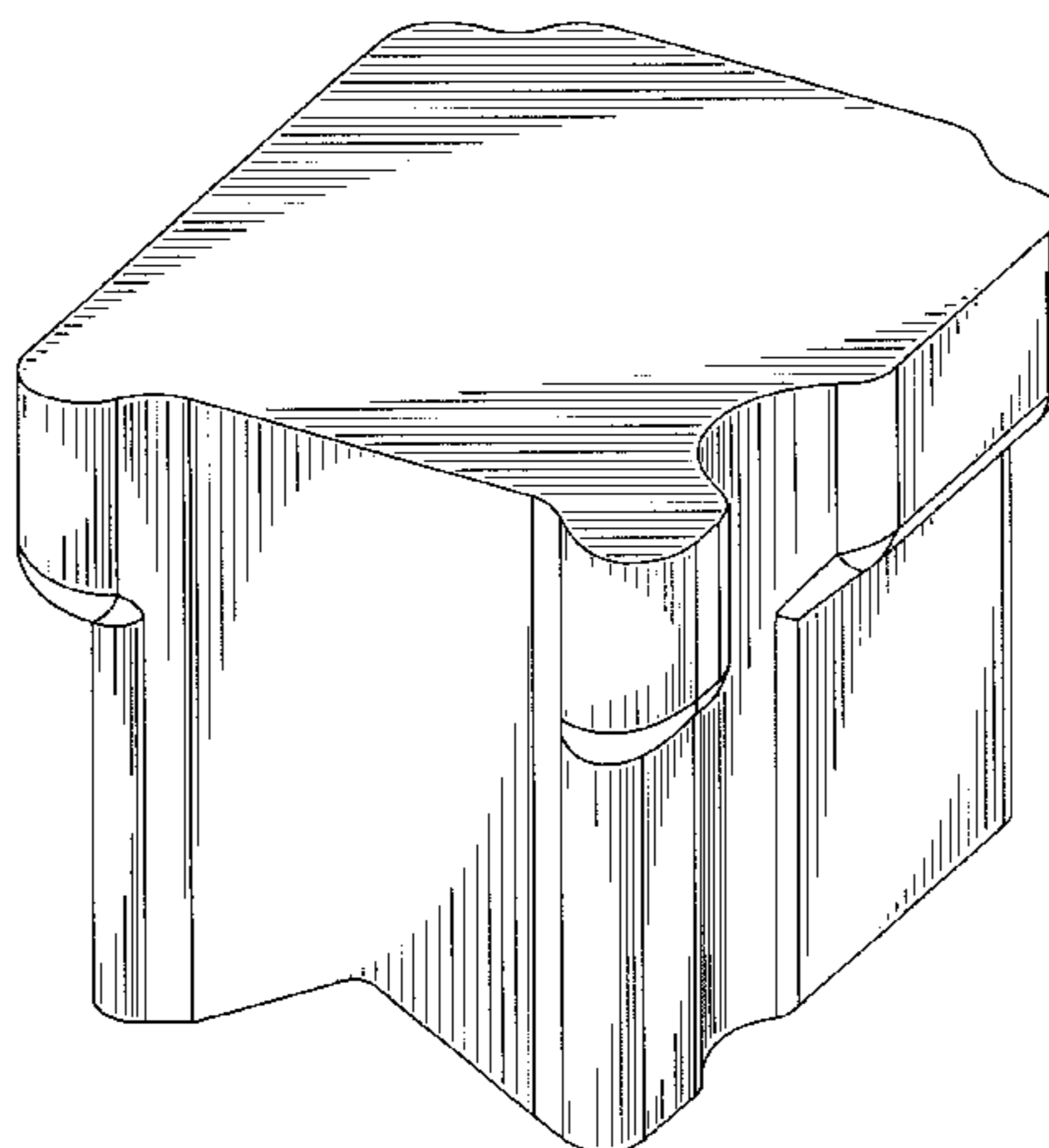
The ornamental design for a color ink stick for solid ink printer, as shown and described.

DESCRIPTION

FIG. 1 is a front perspective view of a color ink stick for solid ink printer showing my new design.
FIG. 2 is a right side elevation view thereof;
FIG. 3 is a front elevation view thereof;
FIG. 4 is a left side elevation view thereof;
FIG. 5 is a rear elevation view thereof;
FIG. 6 is a top plan view thereof; and,
FIG. 7 is a bottom plan view thereof.

The broken lines are for purposes of illustration only and form no part of the claimed design.

1 Claim, 4 Drawing Sheets



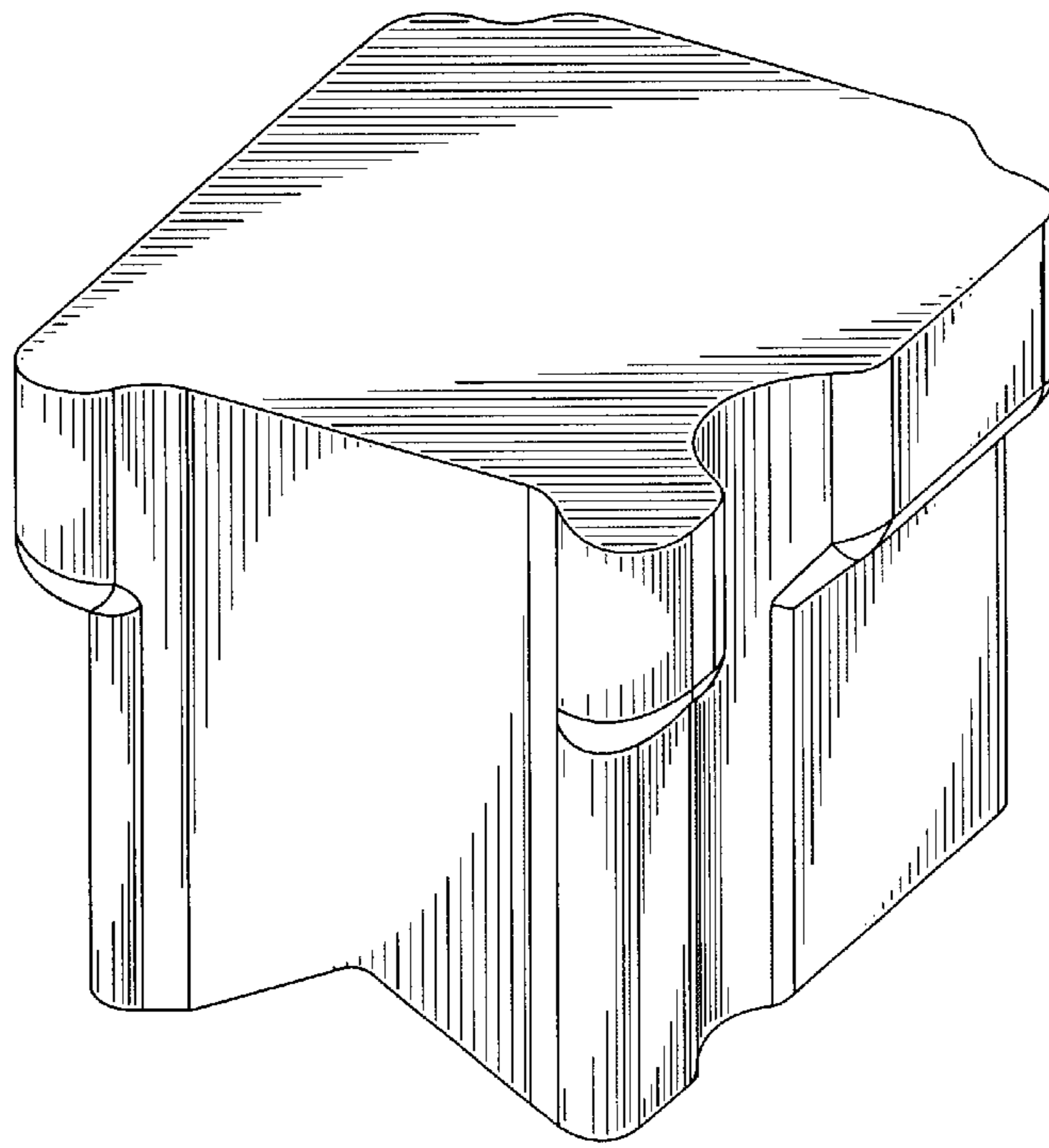


FIG. 1

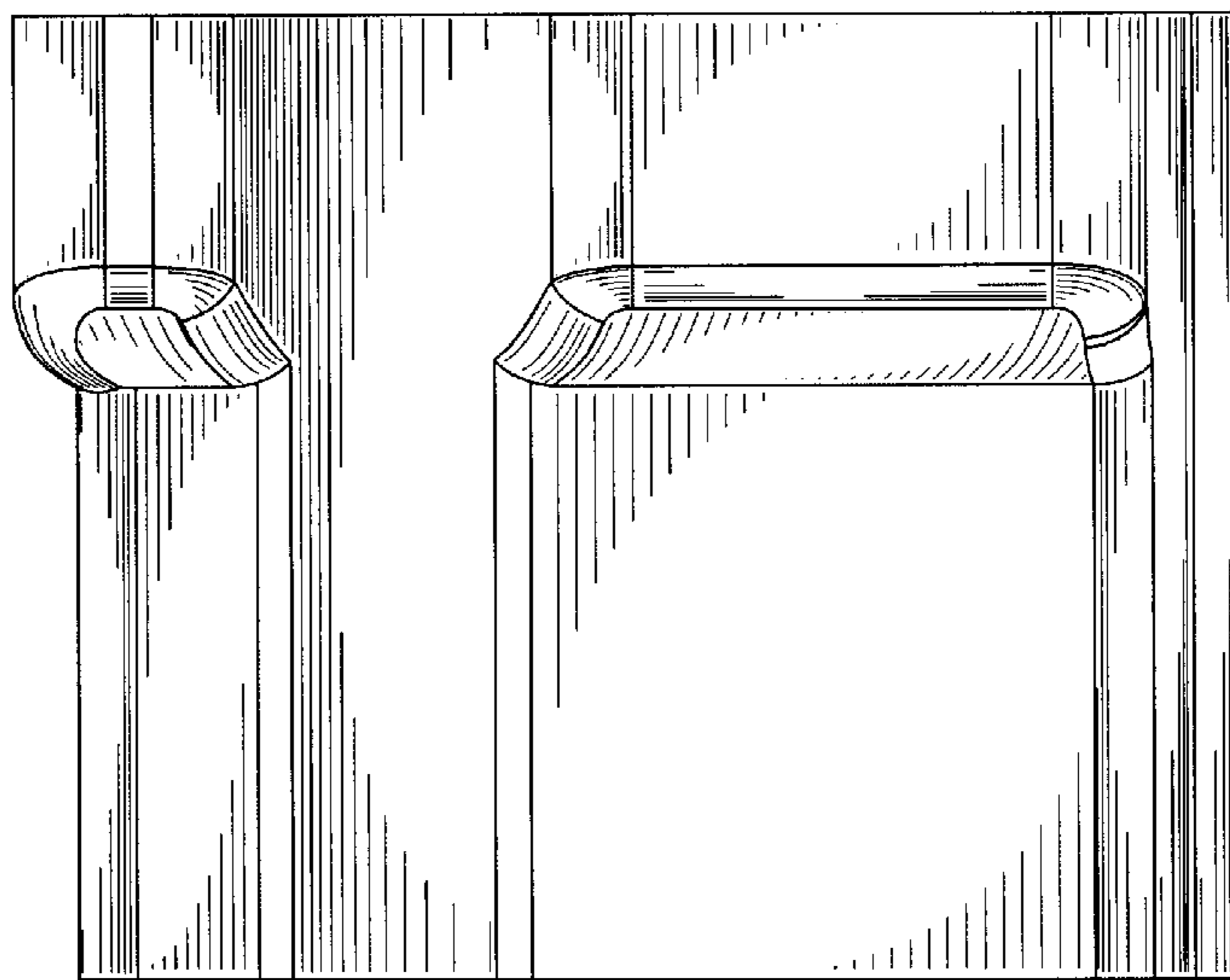


FIG. 2

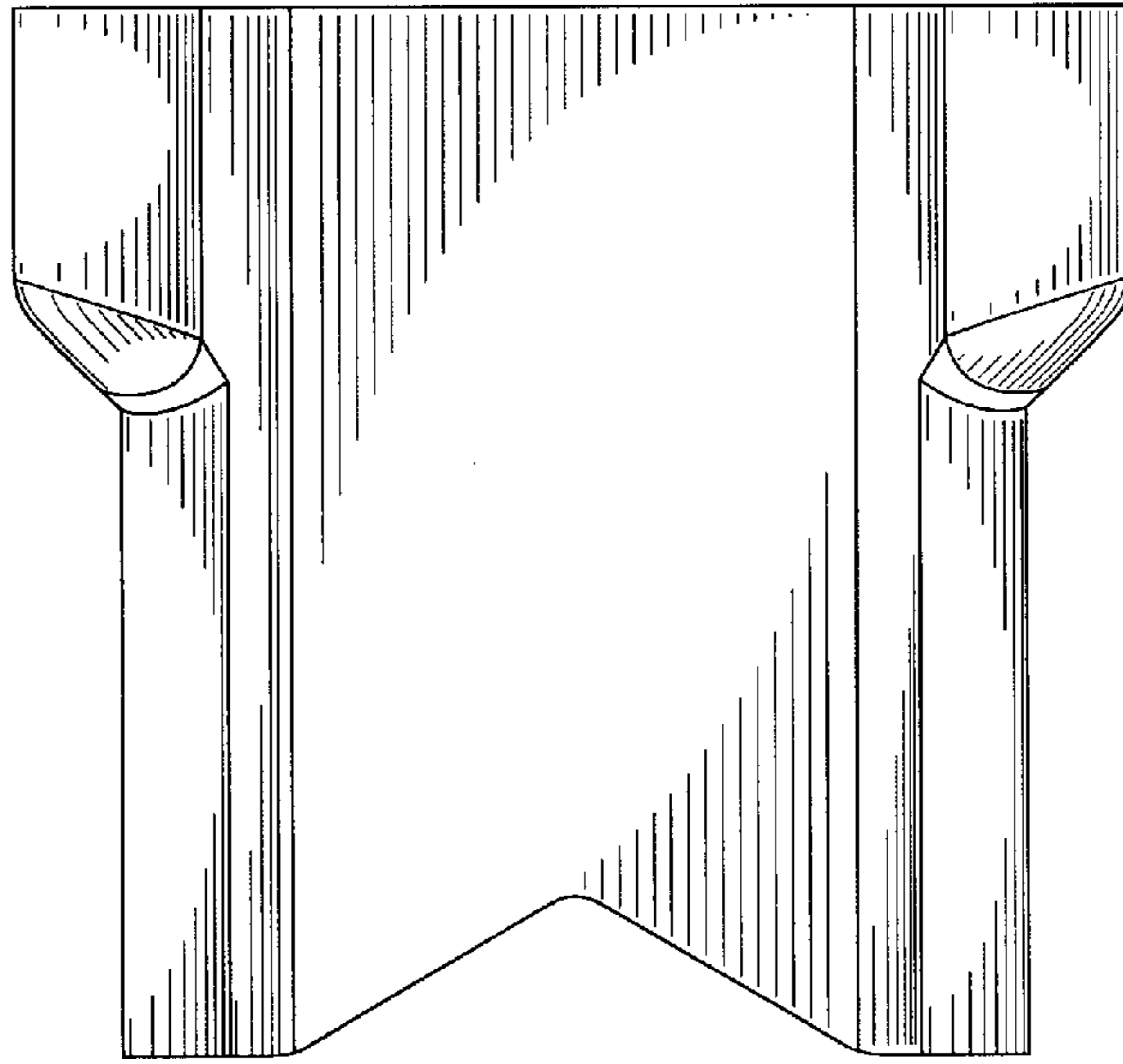


FIG. 3

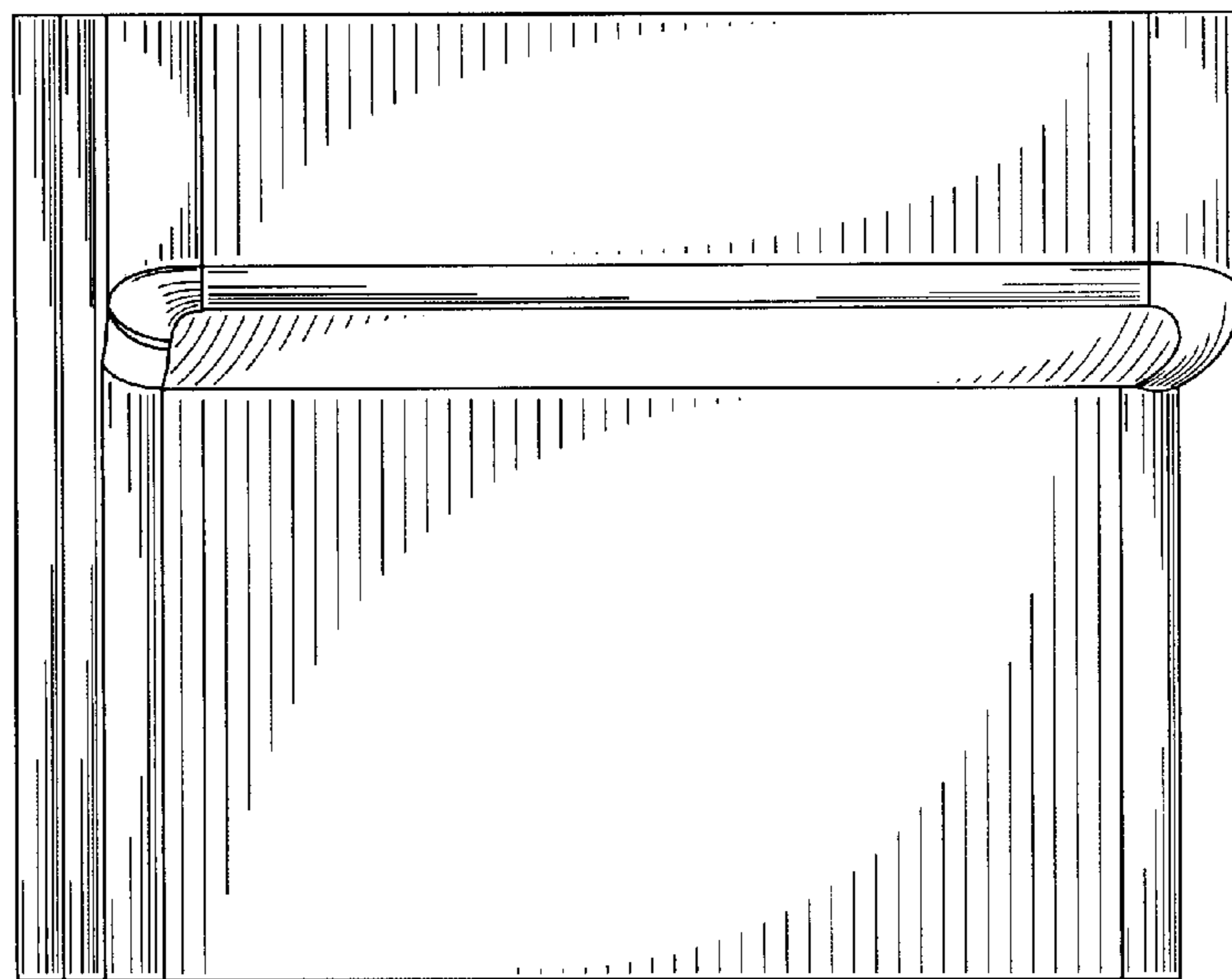


FIG. 4

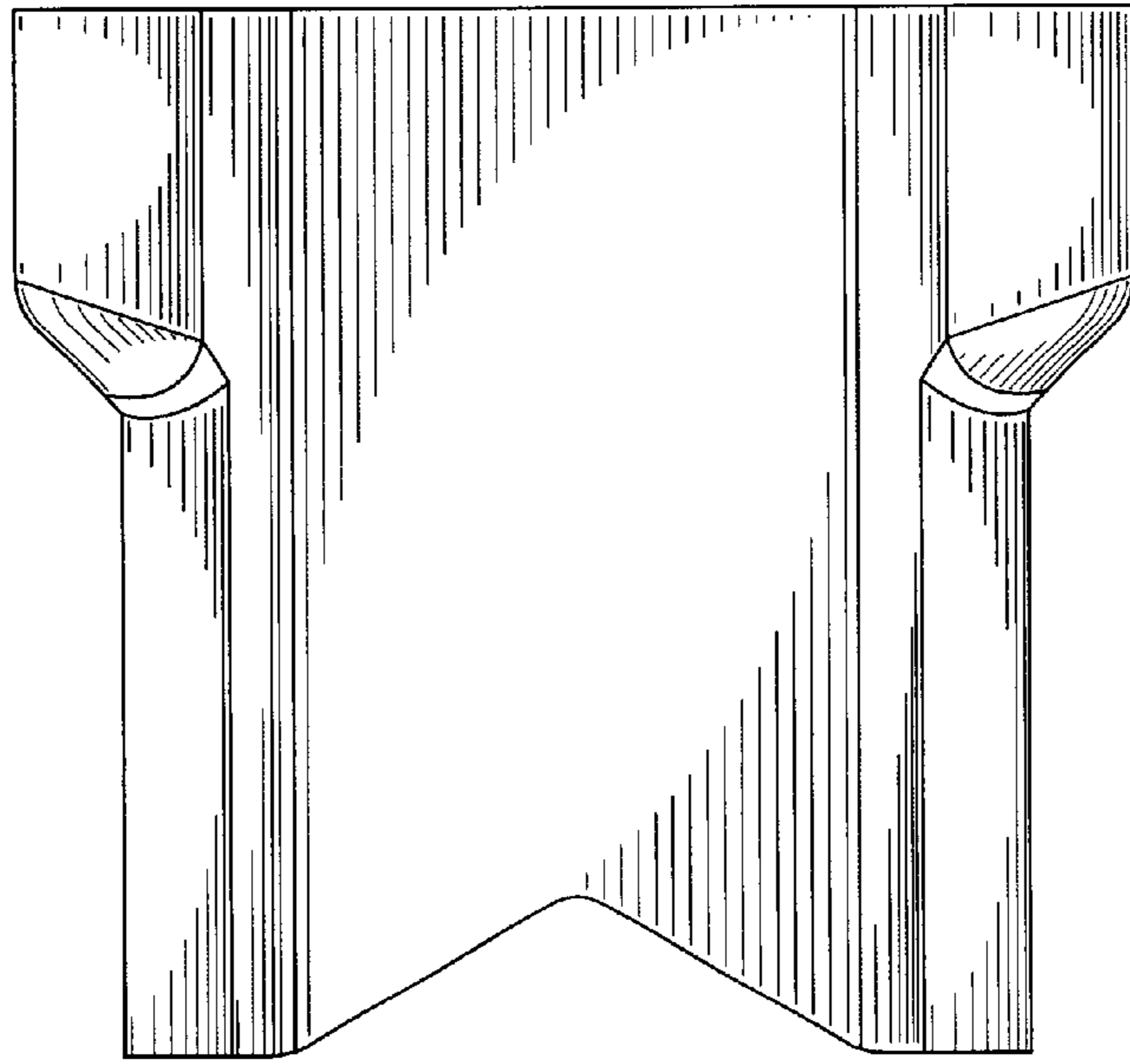


FIG. 5

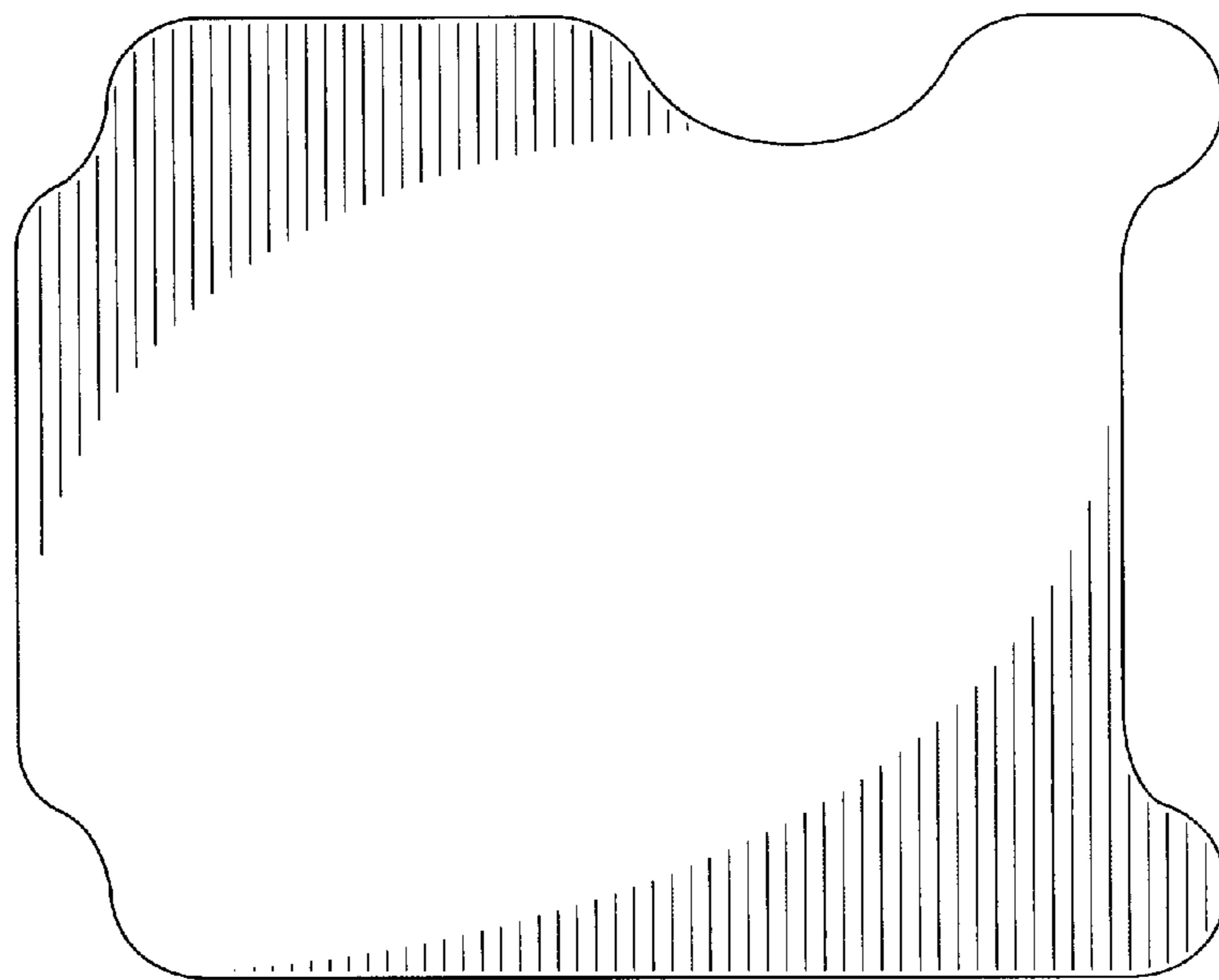


FIG. 6

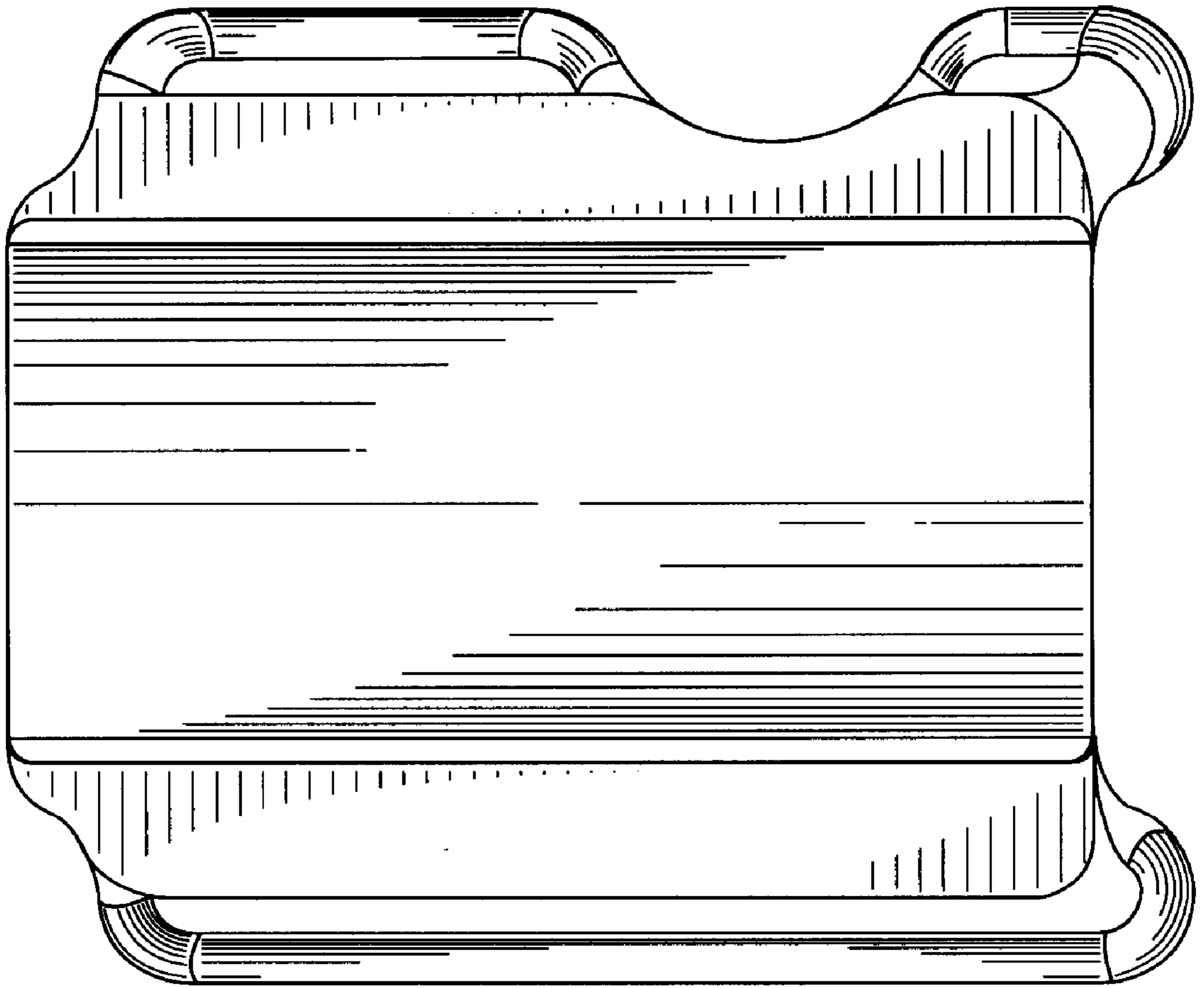


FIG. 7

UNITED STATES PATENT AND TRADEMARK OFFICE
CERTIFICATE OF CORRECTION

PATENT NO. : Des. 482,721 S
APPLICATION NO. : 29/167969
DATED : November 25, 2003
INVENTOR(S) : Jones

Page 1 of 2

It is certified that error appears in the above-identified patent and that said Letters Patent is hereby corrected as shown below:

Drawing sheet, consisting of Fig. 7, should be deleted and replaced with the drawing sheet, consisting of Fig. 7, as shown on the attached page.

Signed and Sealed this

Twentieth Day of March, 2007

A handwritten signature in black ink on a dotted background. The signature reads "Jon W. Dudas" in a cursive style.

JON W. DUDAS

Director of the United States Patent and Trademark Office

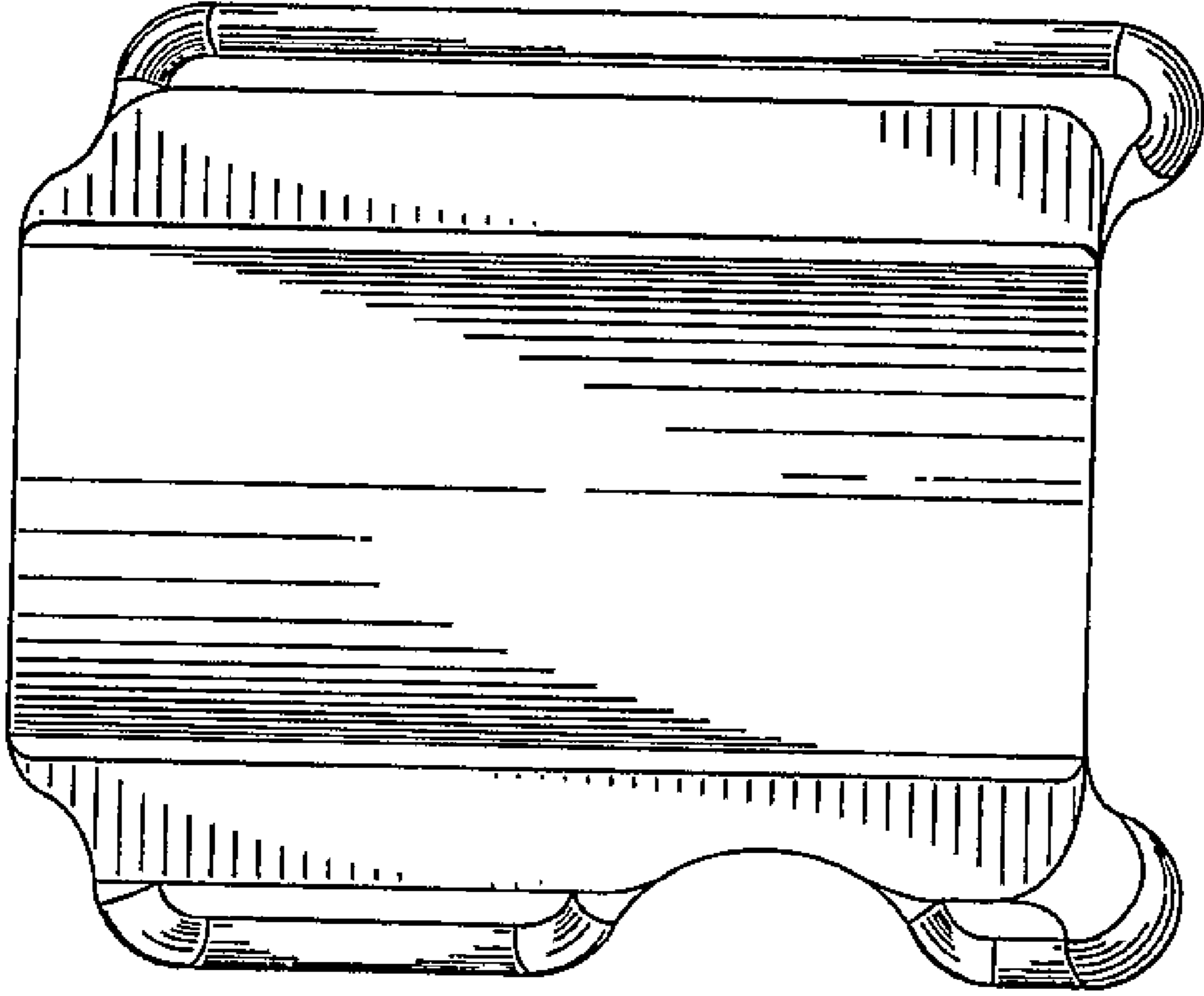


FIG. 7