



US00D482718S

(12) **United States Design Patent**
Hattori

(10) **Patent No.:** **US D482,718 S**

(45) **Date of Patent:** **** Nov. 25, 2003**

(54) **PRINTER WITH COPYING, SCANNING AND FACSIMILE FUNCTIONS WITH INK CARTRIDGE STORAGE COMPARTMENT**

(75) Inventor: **Mitsuharu Hattori**, Nagoya (JP)

(73) Assignee: **Brother Industries Limited**, Nagoya (JP)

(**) Term: **14 Years**

(21) Appl. No.: **29/163,433**

(22) Filed: **Jul. 8, 2002**

(30) **Foreign Application Priority Data**

Jan. 7, 2002 (JP) 2002-000085

(51) **LOC (7) Cl.** **18-02**

(52) **U.S. Cl.** **D18/50**

(58) **Field of Search** D14/420-430,
D14/462-470; D18/19, 36-39, 50, 53, 54-55;
400/613, 613.1-613.4, 691-694, 690.1-690.4,
625

(56) **References Cited**

U.S. PATENT DOCUMENTS

D324,395 S * 3/1992 Dubson D18/54
D332,258 S * 1/1993 Urushihara et al. D14/131
D348,899 S * 7/1994 Masujima et al. D18/55
D358,603 S * 5/1995 Dodge et al. D18/55
D358,826 S * 5/1995 Kuhns D18/50

D381,678 S * 7/1997 Nakamura D18/50
D407,712 S * 4/1999 Hasegawa D14/422
D413,351 S * 8/1999 Escobedo et al. D18/50
D424,100 S * 5/2000 Hesselbach D18/50
6,132,122 A * 10/2000 Robinson et al. 400/625
D443,638 S * 6/2001 Kobayashi et al. D18/54
D449,067 S * 10/2001 Kobayashi et al. D18/55

* cited by examiner

Primary Examiner—Cathy Anne MacCormac

(74) *Attorney, Agent, or Firm*—Oliff & Berridge, PLC

(57) **CLAIM**

The ornamental design for a printer with copying, scanning and facsimile functions with ink cartridge storage compartment, as shown and described.

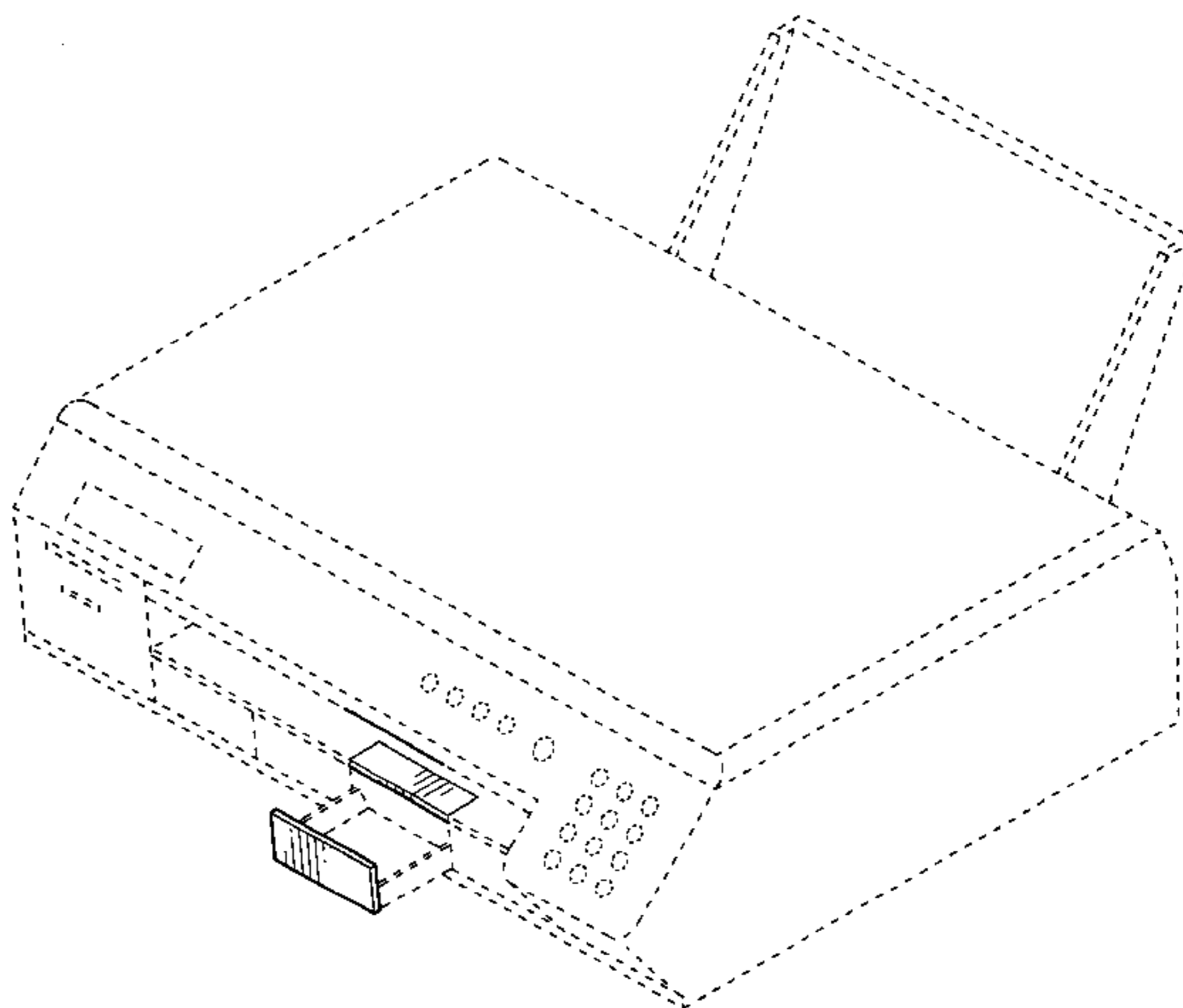
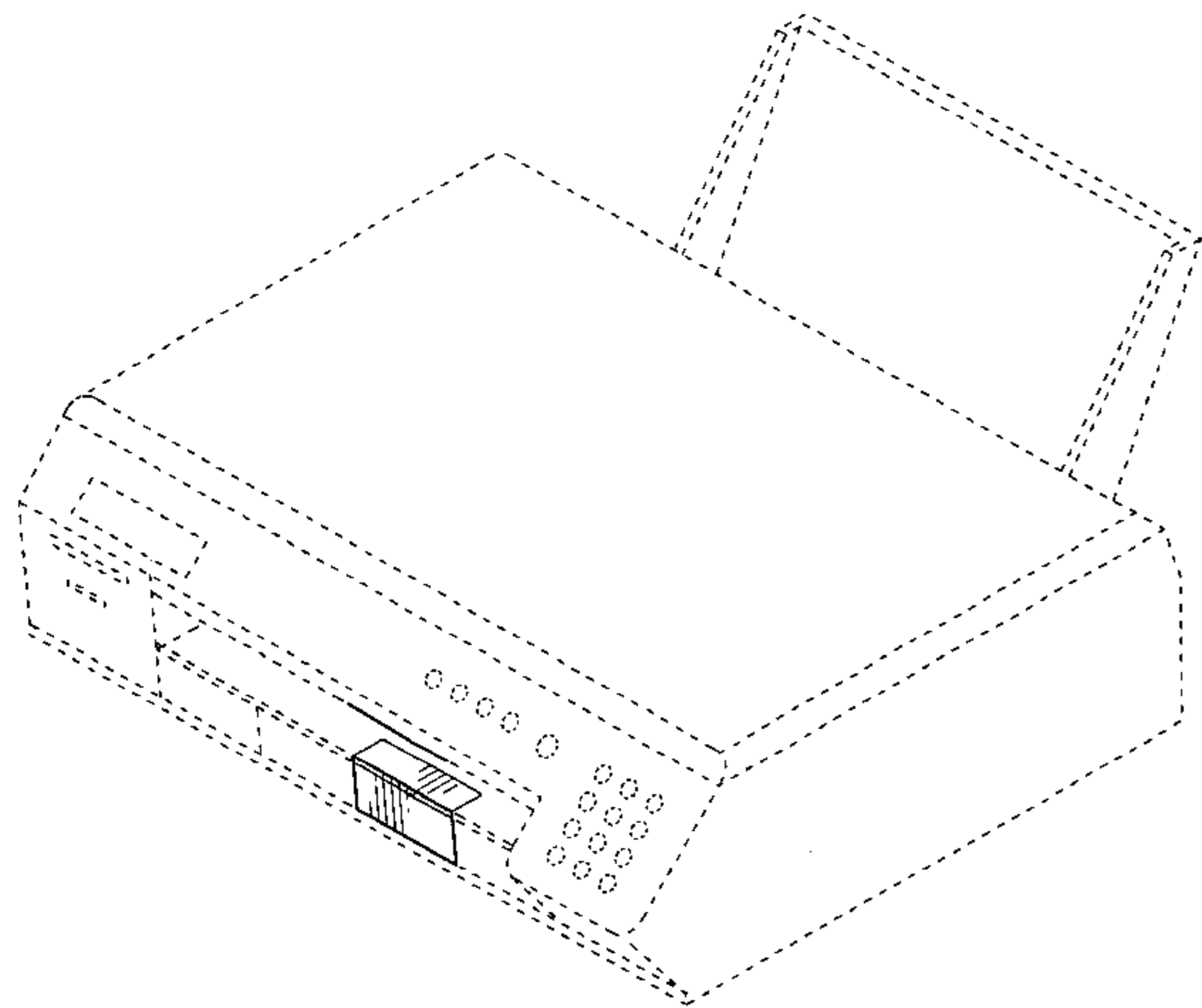
DESCRIPTION

FIG. 1 is a perspective view of a printer with copying, scanning and facsimile functions with ink cartridge storage compartment with the compartment in a closed position; FIG. 2 is a front view thereof; FIG. 3 is a bottom view thereof; and, FIG. 4 is another perspective view thereof with the compartment in an open position.

The rear, left, right and top views contain no ornamentality and are omitted.

The broken lines are for purposes of illustration only and form no part of the claimed design.

1 Claim, 3 Drawing Sheets



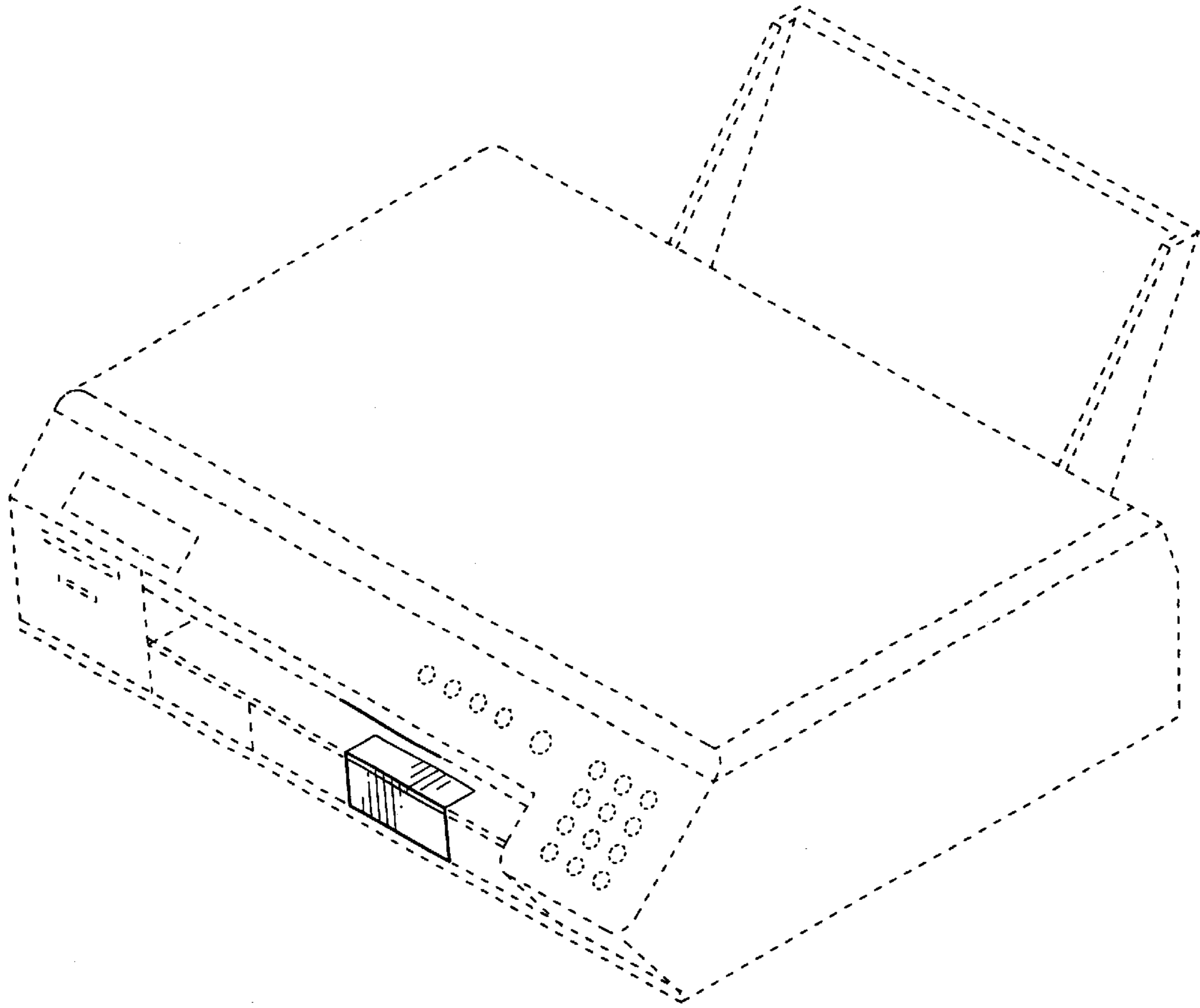


Fig. 1

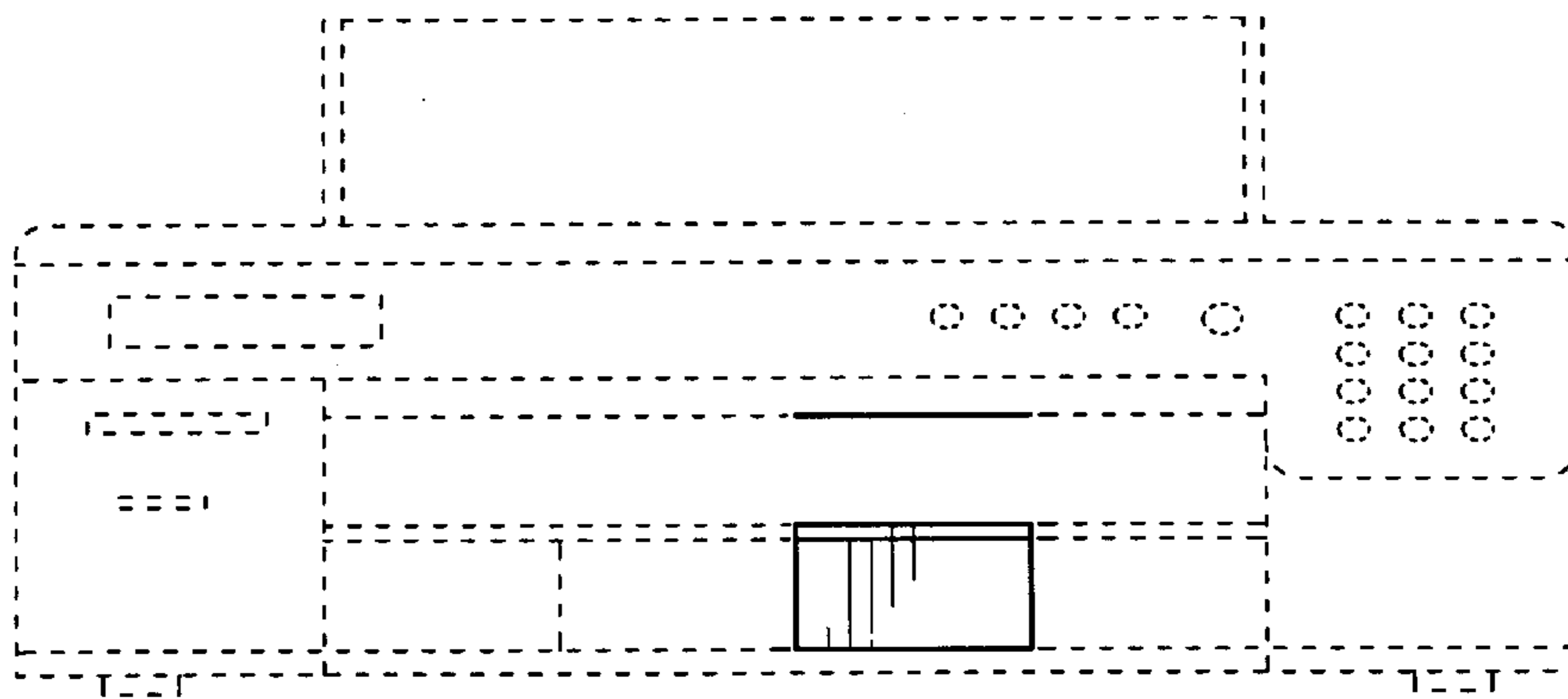


Fig. 2

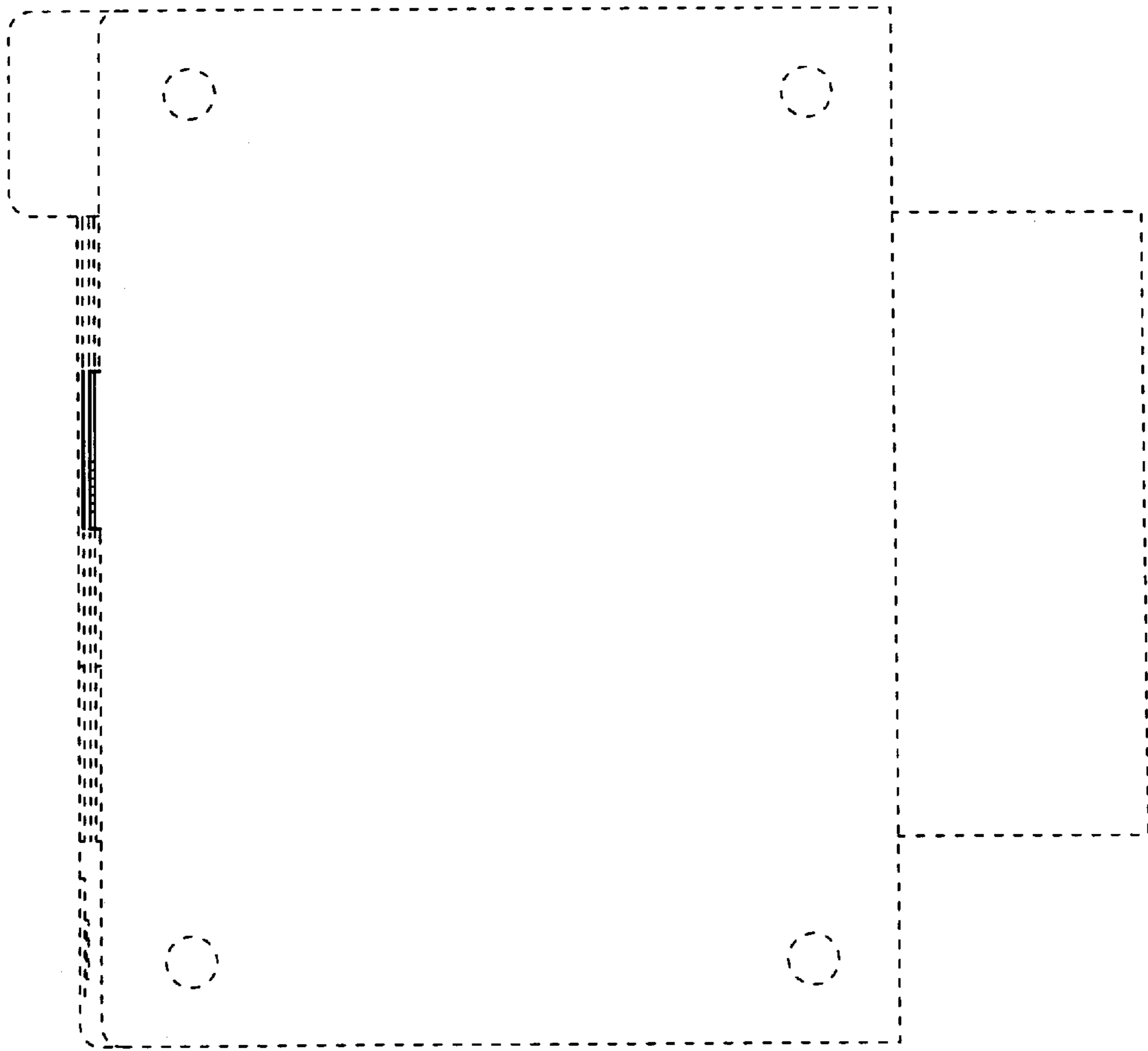


Fig. 3

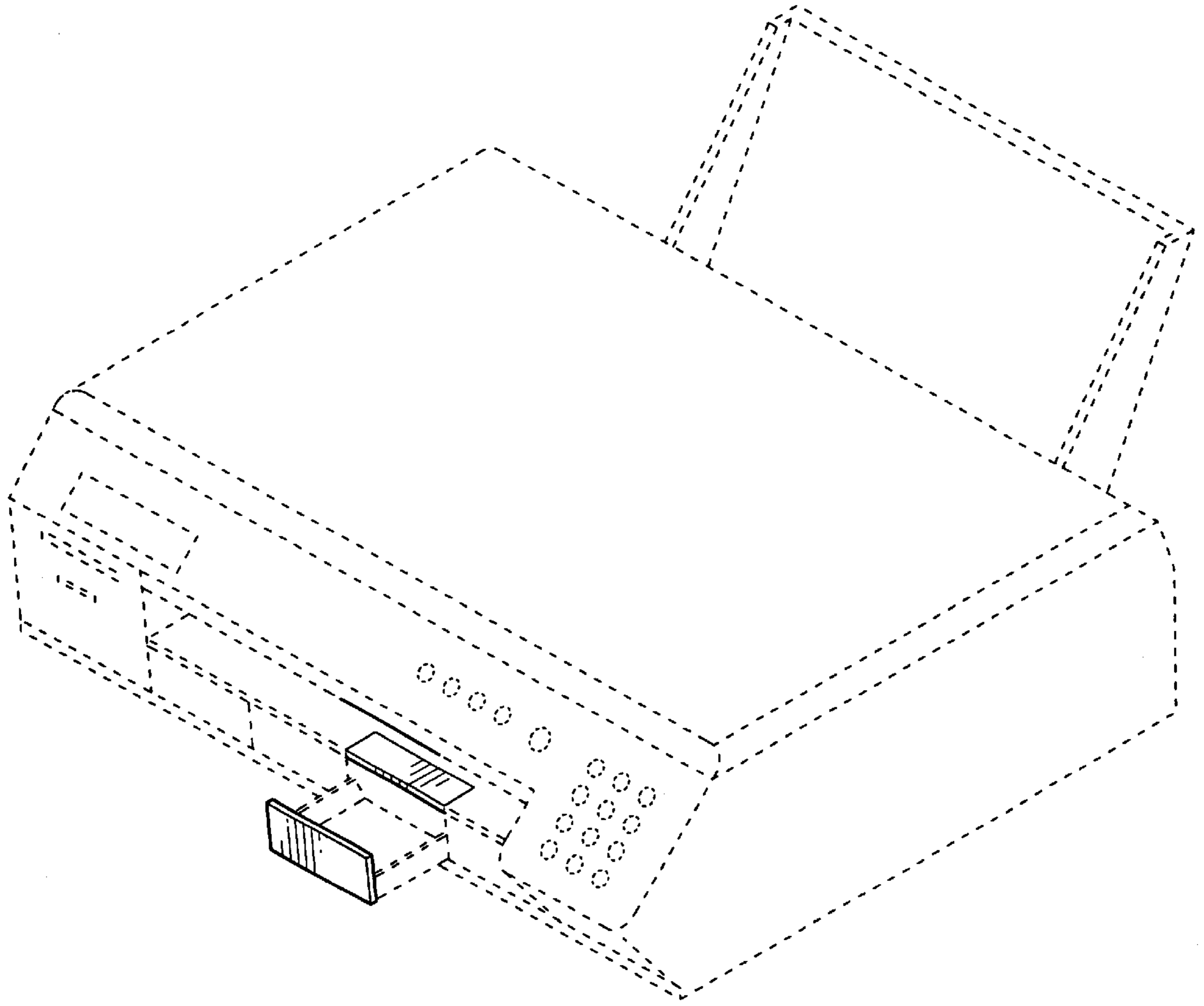


Fig. 4