



US00D482714S

(12) **United States Design Patent** (10) **Patent No.:** **US D482,714 S**
Komatsu (45) **Date of Patent:** **** Nov. 25, 2003**

(54) **CAMERA**

(75) Inventor: **Hiroshi Komatsu**, Yokohama (JP)

(73) Assignee: **Canon Kabushiki Kaisha**, Tokyo (JP)

(**) Term: **14 Years**

(21) Appl. No.: **29/163,710**

(22) Filed: **Jul. 11, 2002**

(30) **Foreign Application Priority Data**

Jan. 24, 2002 (JP) 2002-001487

(51) **LOC (7) Cl.** **16-05**

(52) **U.S. Cl.** **D16/219**

(58) **Field of Search** D16/200–204,
D16/208, 209, 211, 212, 218, 219; 396/6,
448, 535–541

(56) **References Cited**

U.S. PATENT DOCUMENTS

D374,449 S * 10/1996 Fukushima et al. D16/208
5,649,235 A * 7/1997 Ando et al. 396/6
D404,412 S * 1/1999 Yoshii et al. D16/202

D468,332 S * 1/2003 Ito D16/202
D469,795 S * 2/2003 Ito D16/219
D474,797 S * 5/2003 Komatsu D16/218

* cited by examiner

Primary Examiner—Adir Aronovich

(74) *Attorney, Agent, or Firm*—Fitzpatrick, Cella, Harper & Scinto

(57) **CLAIM**

The ornamental design for a camera, as shown and described.

DESCRIPTION

FIG. 1 is a front view of a camera showing my new design;
FIG. 2 is a rear view thereof;
FIG. 3 is a top plan view thereof;
FIG. 4 is a bottom plan view thereof;
FIG. 5 is a left side view thereof;
FIG. 6 is a right side view thereof; and,
FIG. 7 is a front perspective view thereof.

The portions of the camera in broken lines are shown for illustrative purposes only and form no part of the claimed design.

1 Claim, 3 Drawing Sheets

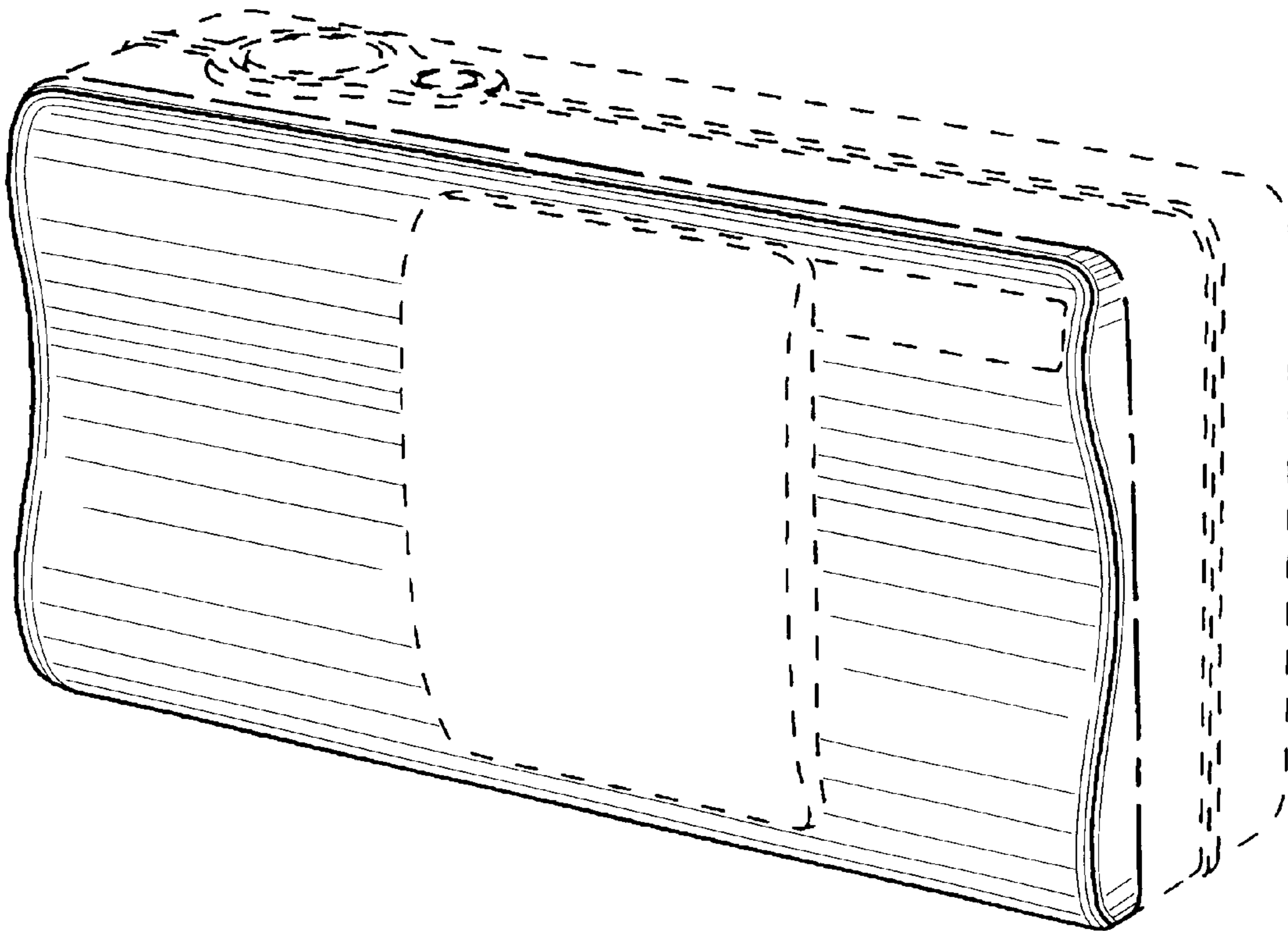


FIG. 1

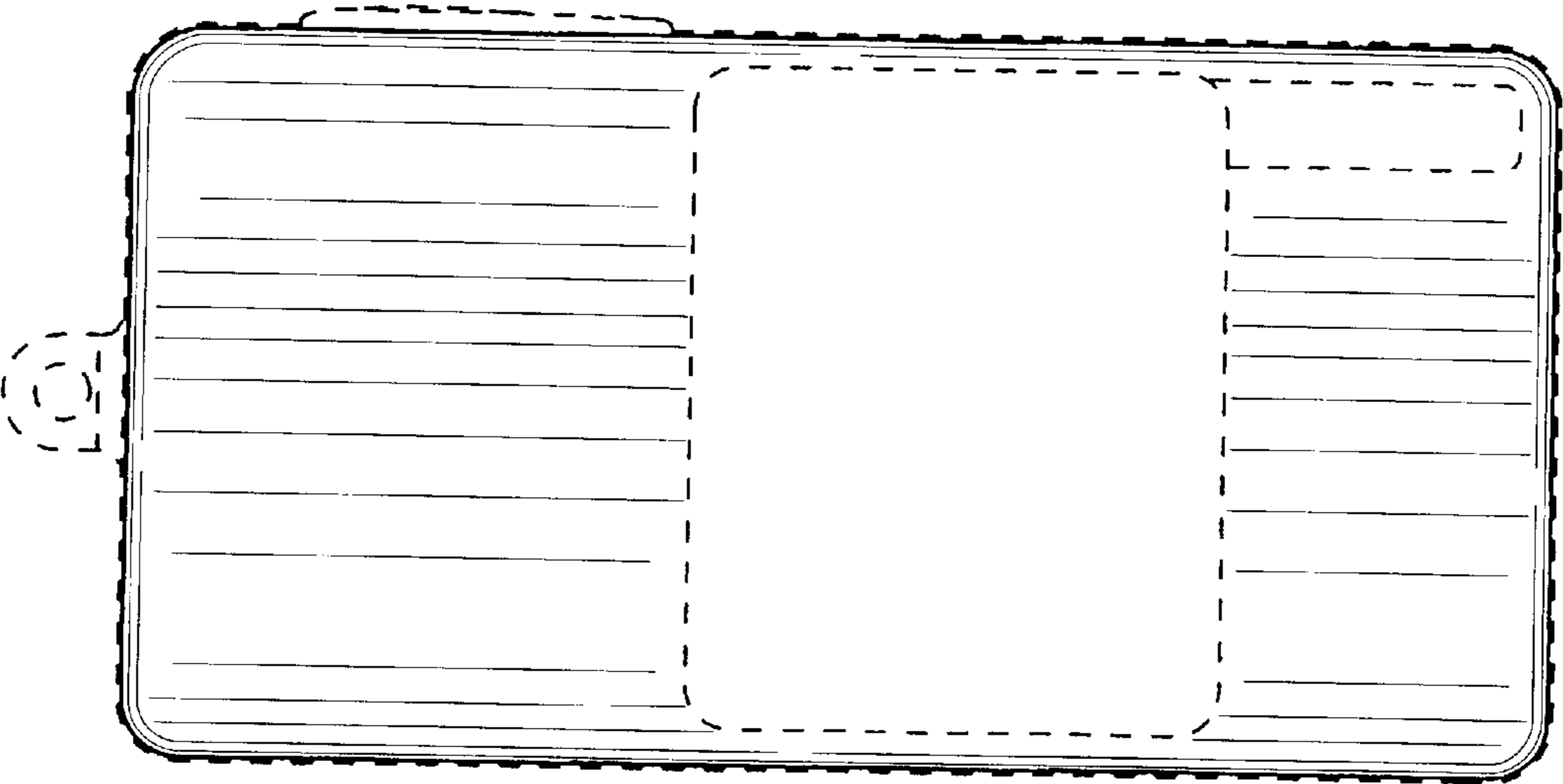


FIG. 2

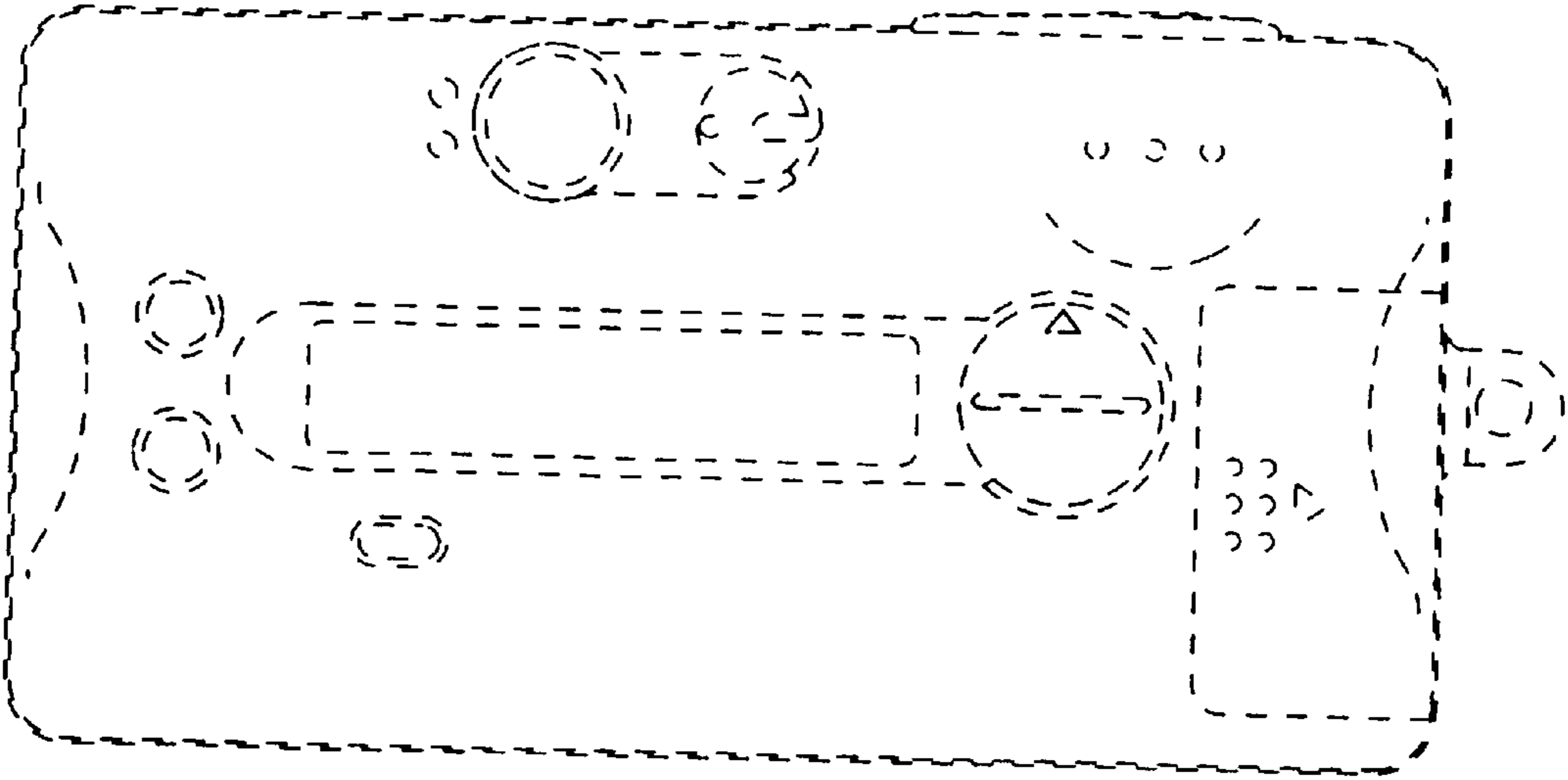


FIG. 3

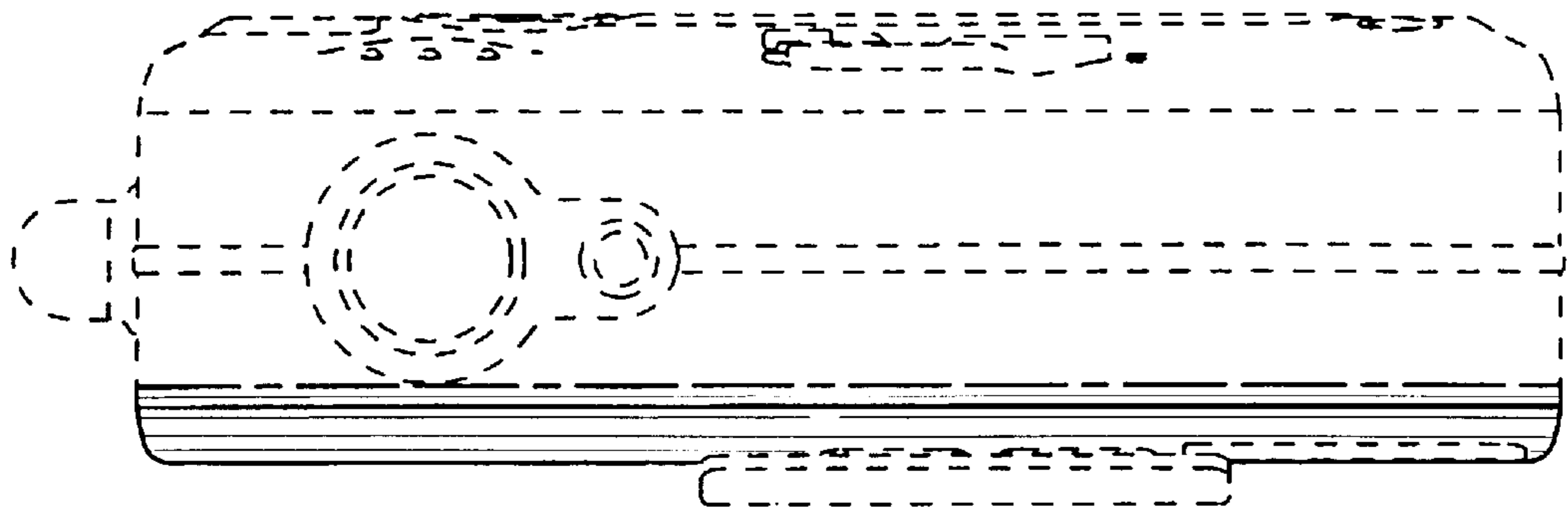


FIG. 4

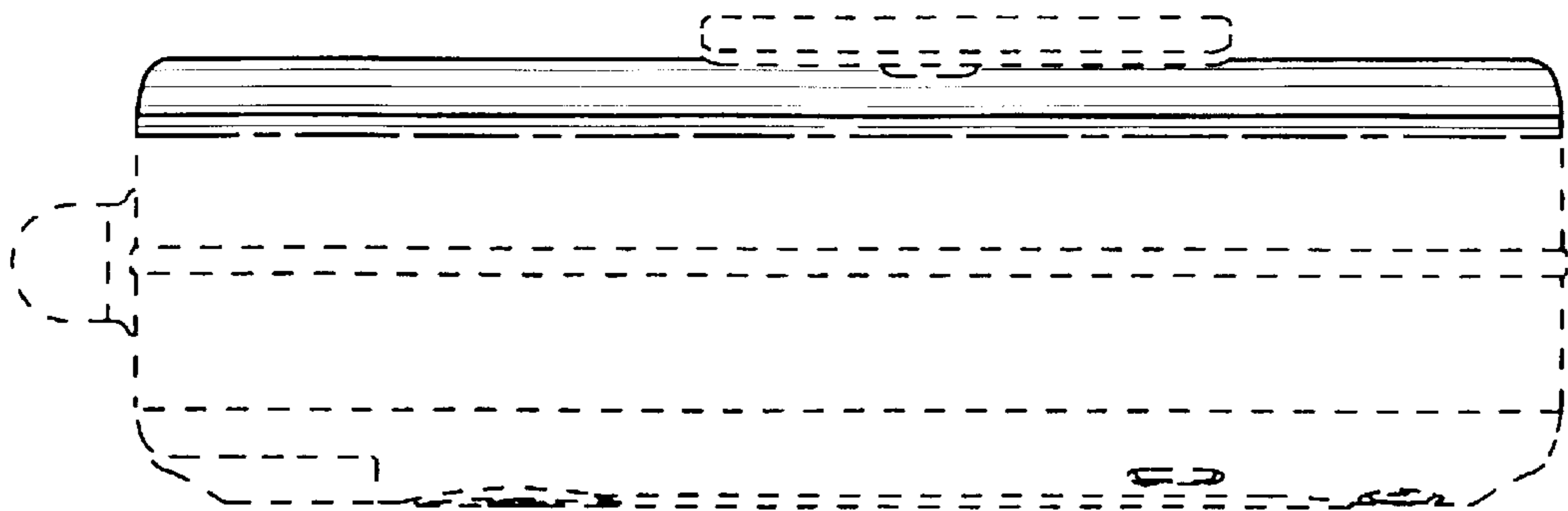


FIG. 5

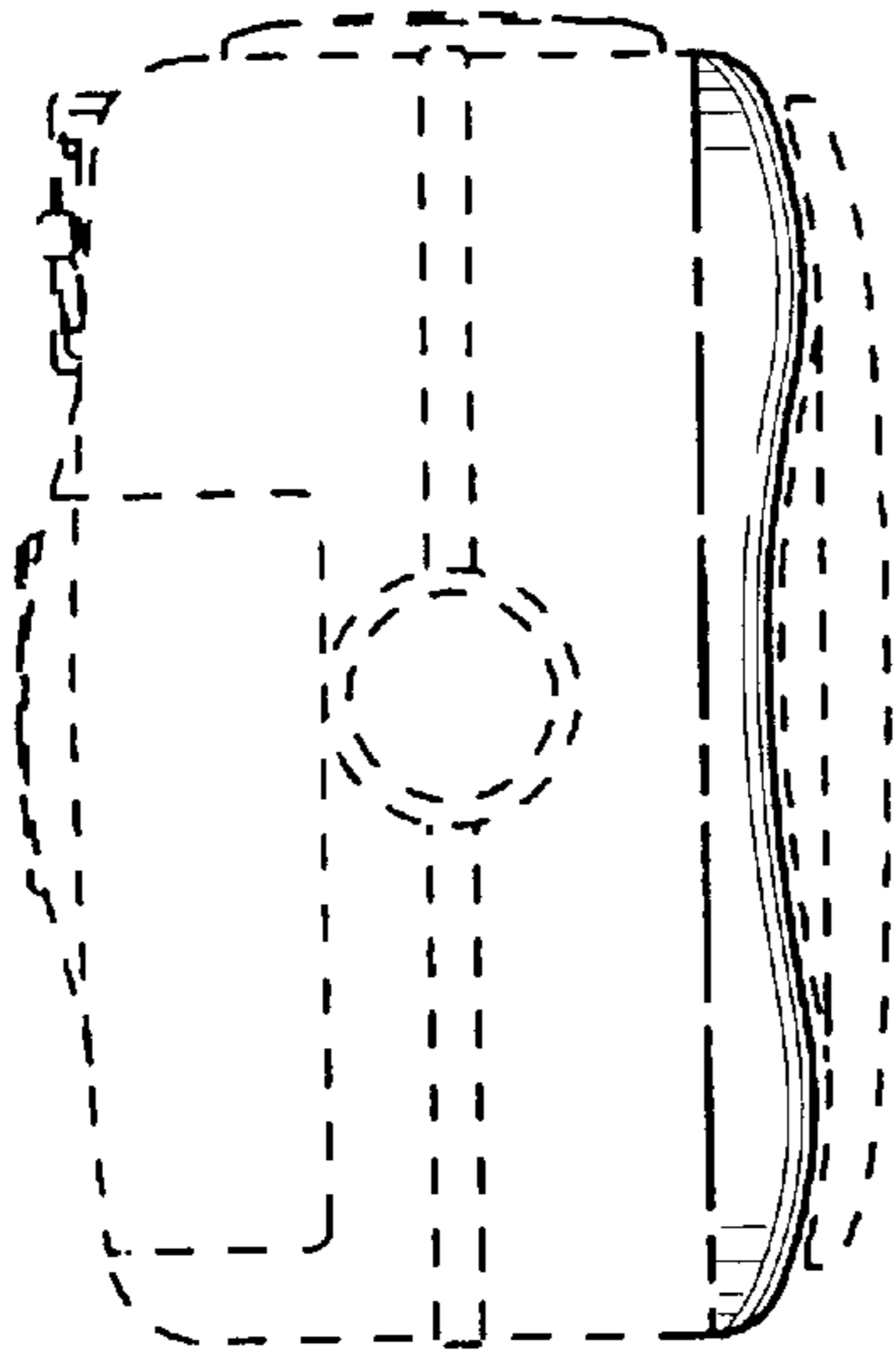


FIG. 6

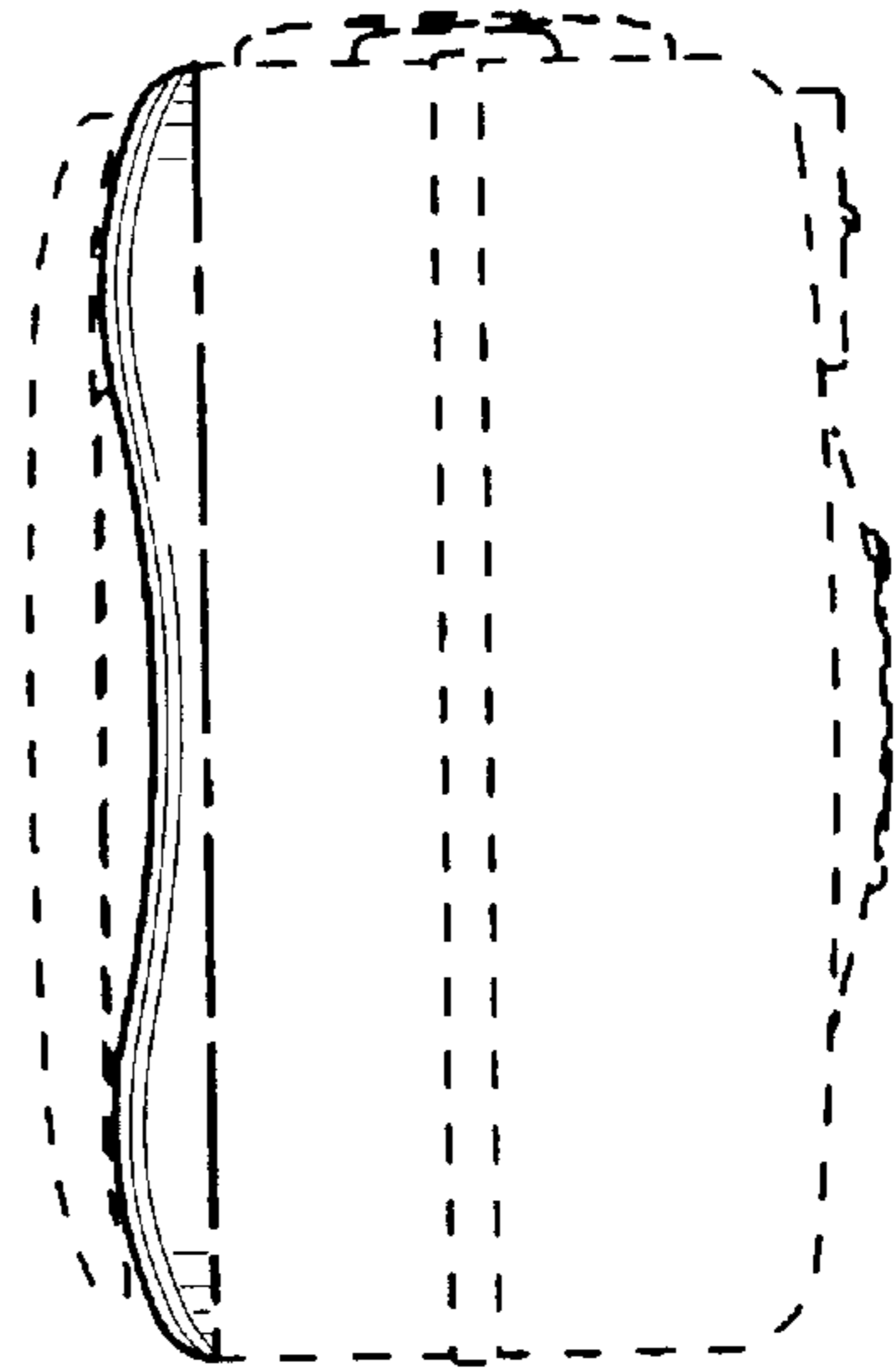
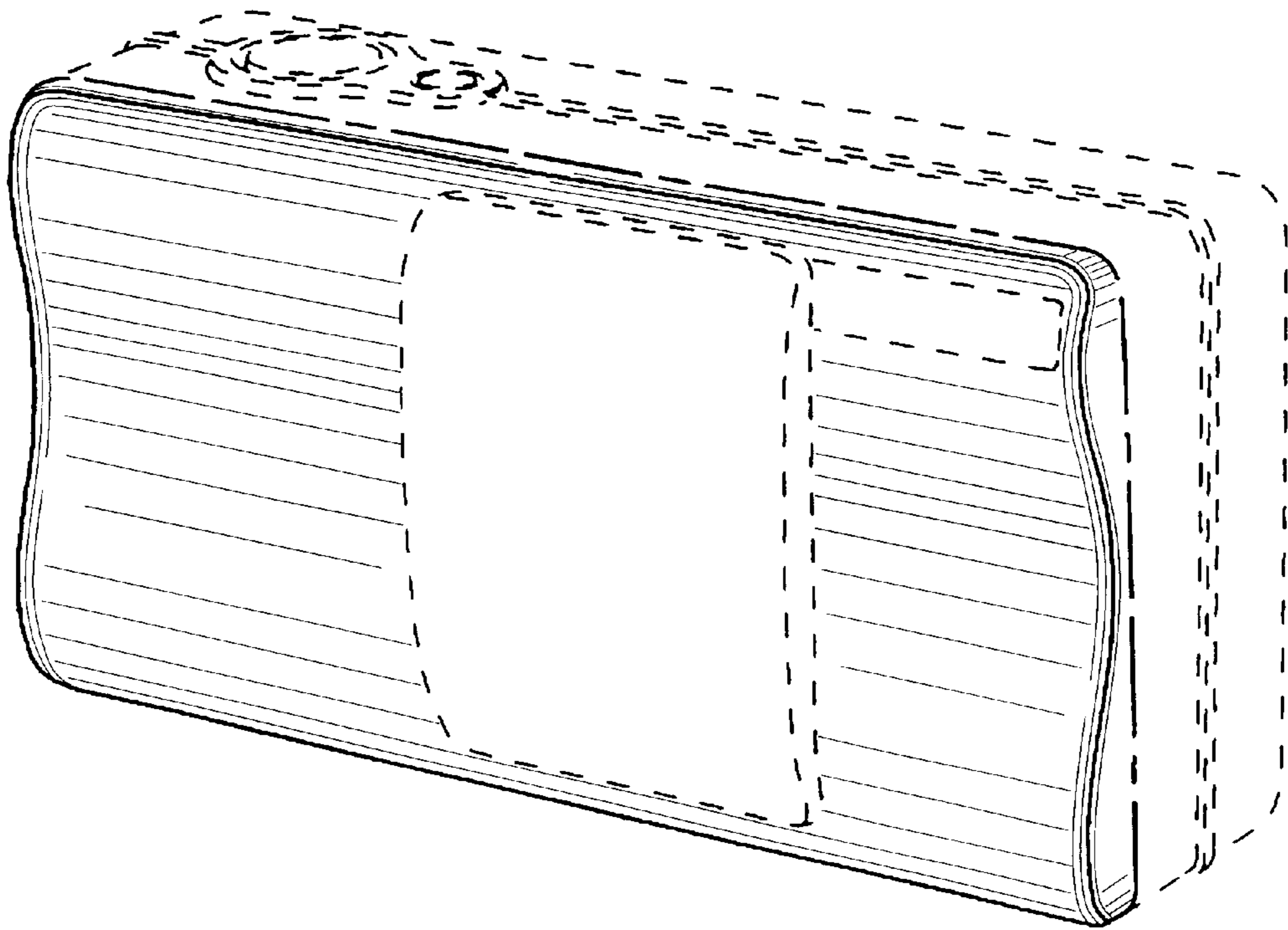


FIG. 7



UNITED STATES PATENT AND TRADEMARK OFFICE
CERTIFICATE OF CORRECTION

PATENT NO. : Des. 482,714 S
DATED : November 25, 2003
INVENTOR(S) : Hiroshi Komatsu

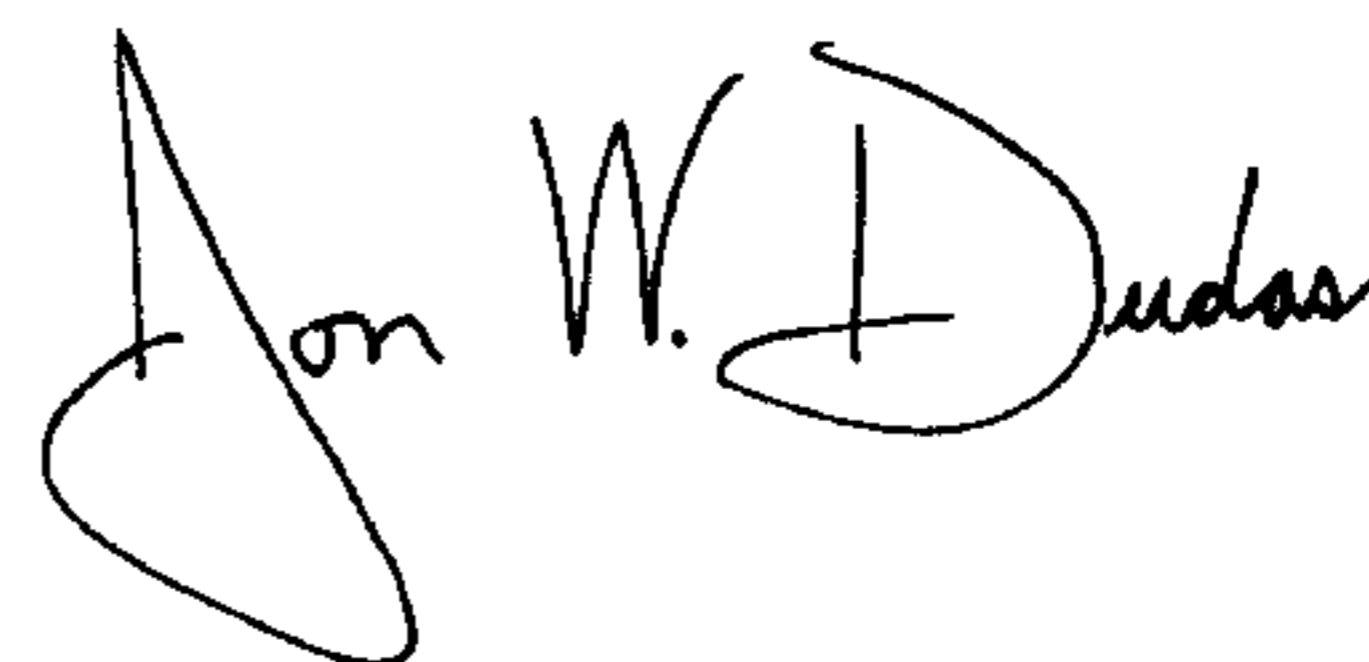
Page 1 of 1

It is certified that error appears in the above-identified patent and that said Letters Patent is hereby corrected as shown below:

Title page,
Item [57], **CLAIM,**
Line 1, "camera," should read -- CAMERA --.

Signed and Sealed this

Twenty-fourth Day of February, 2004



JON W. DUDAS
Acting Director of the United States Patent and Trademark Office