



US00D482713S

(12) **United States Design Patent**  
**Hayashi**

(10) **Patent No.:** **US D482,713 S**

(45) **Date of Patent:** **\*\* Nov. 25, 2003**

(54) **SINGLE-LENS REFLEX CAMERA BODY**

(75) **Inventor:** **Tatsuyuki Hayashi, Saitama (JP)**

(73) **Assignee:** **Pentax Corporation, Tokyo (JP)**

(\*\*) **Term:** **14 Years**

(21) **Appl. No.:** **29/174,743**

(22) **Filed:** **Jan. 24, 2003**

(30) **Foreign Application Priority Data**

Jul. 24, 2002 (JP) ..... 2002-019817

(51) **LOC (7) Cl.** ..... **16-01**

(52) **U.S. Cl.** ..... **D16/217**

(58) **Field of Search** ..... D16/200–204,  
D16/208, 209, 216–218; 396/206, 354,  
355–359, 535–541

(56) **References Cited**

**U.S. PATENT DOCUMENTS**

4,406,533 A \* 9/1983 Yamamoto ..... 396/206  
4,692,010 A \* 9/1987 Kataoka et al. .... 396/354  
D317,929 S \* 7/1991 Tanaka et al. .... D16/217

D388,109 S \* 12/1997 Kimura et al. .... D16/217

D388,808 S \* 1/1998 Haga ..... D16/217

D433,434 S \* 11/2000 Hamamura ..... D16/217

D439,922 S \* 4/2001 Kumakura ..... D16/217

D451,940 S \* 12/2001 Haga ..... D16/217

\* cited by examiner

*Primary Examiner*—Adir Aronovich

(74) *Attorney, Agent, or Firm*—Sughrue Mion, PLLC

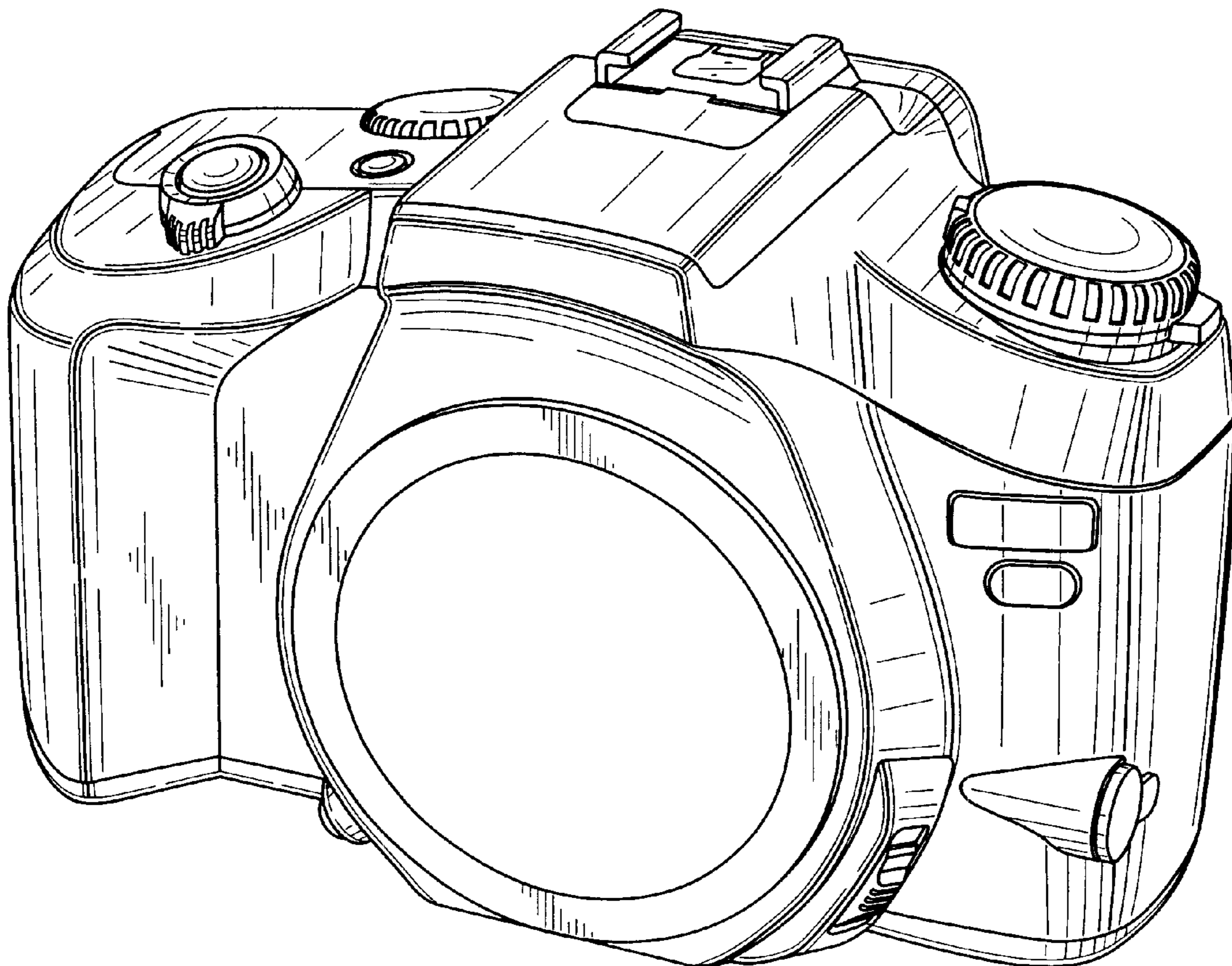
(57) **CLAIM**

The ornamental design for a single-lens reflex camera body, as shown.

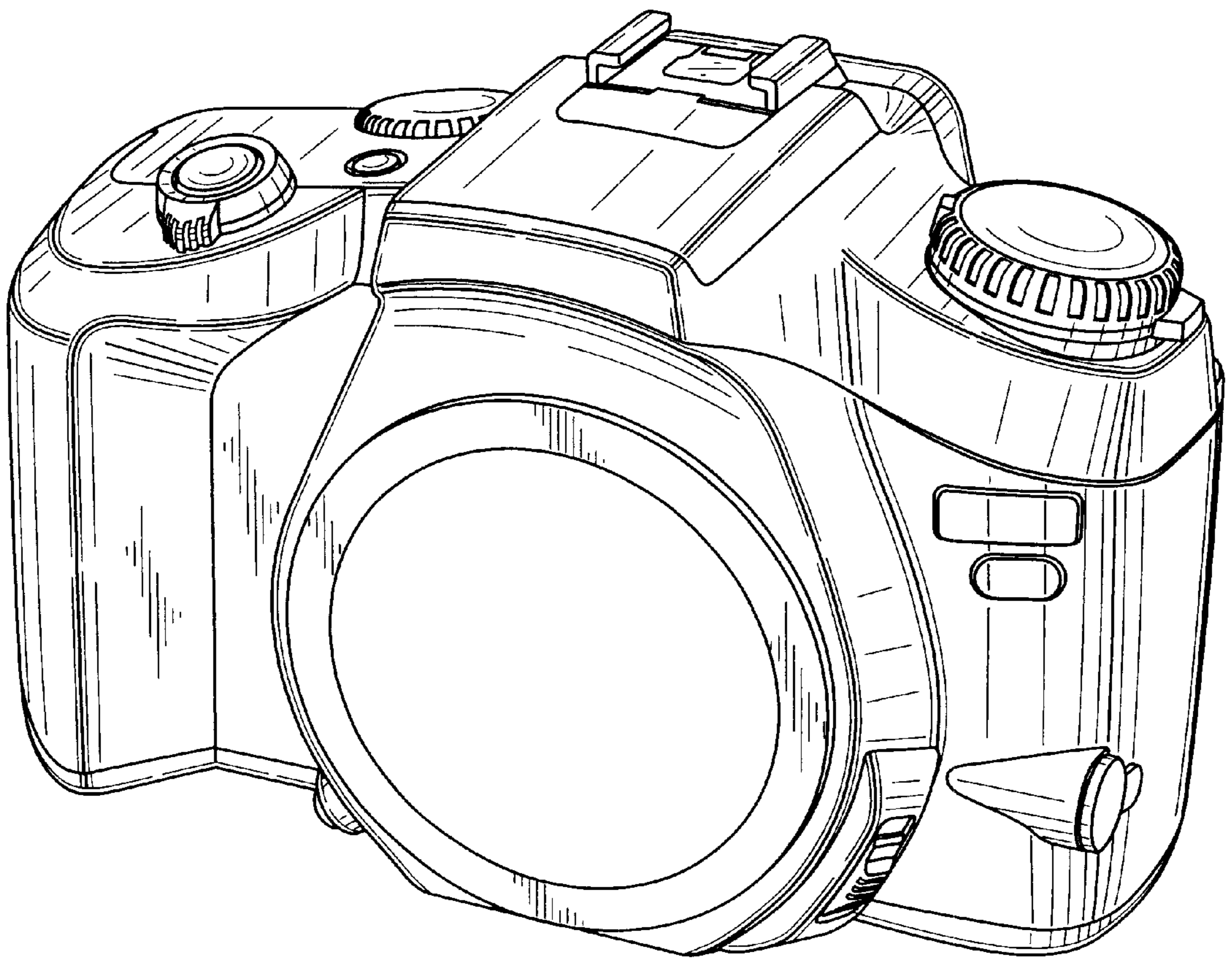
**DESCRIPTION**

FIG. 1 is a perspective view of the top, front and right side of a single-lens reflex camera body showing my new design; FIG. 2 is a front elevational view thereof; FIG. 3 is a rear elevational view thereof; FIG. 4 is a right side elevational view thereof; FIG. 5 is a left side elevational view thereof; FIG. 6 is a top plan view thereof; and, FIG. 7 is a bottom plan view thereof.

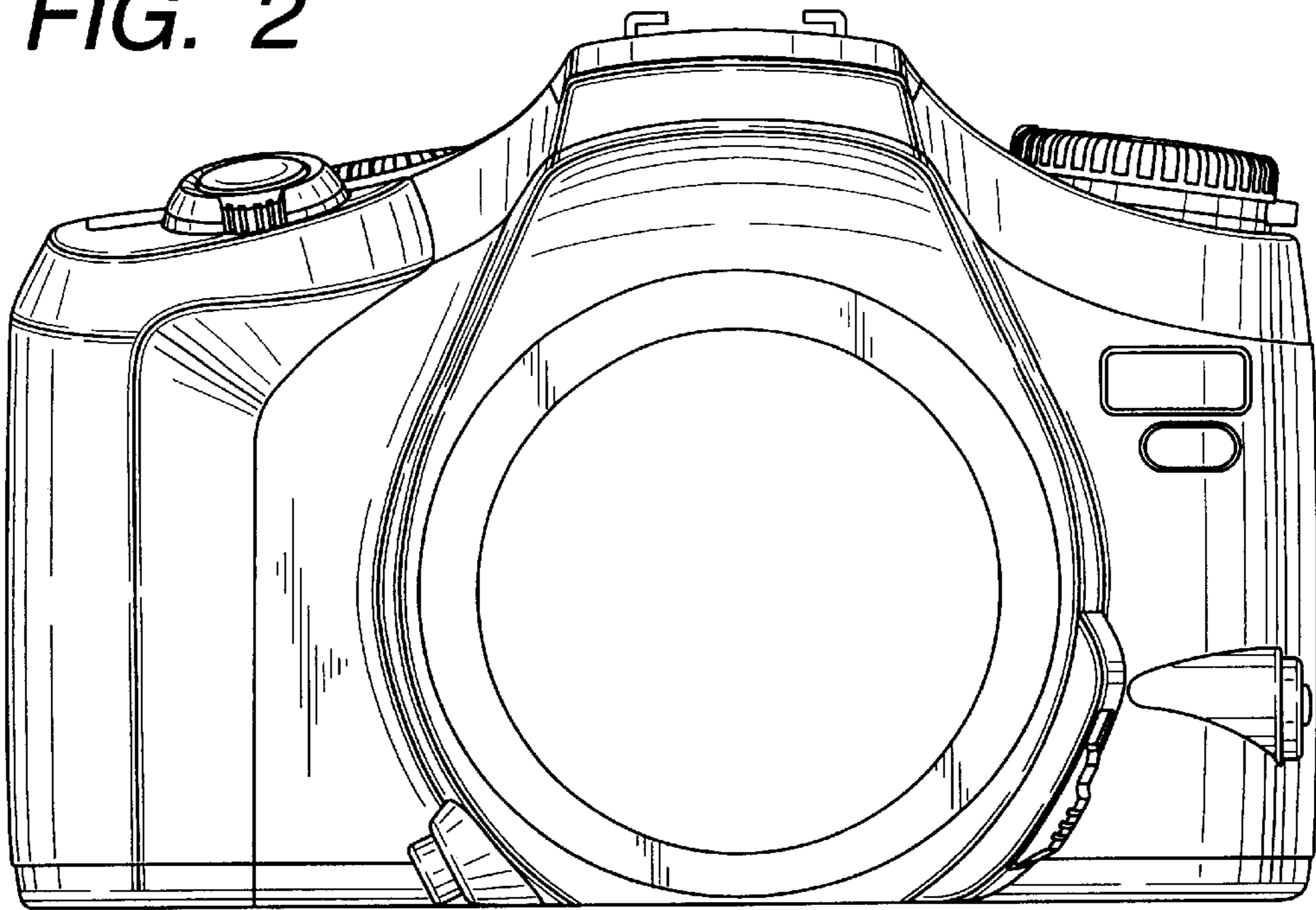
**1 Claim, 4 Drawing Sheets**



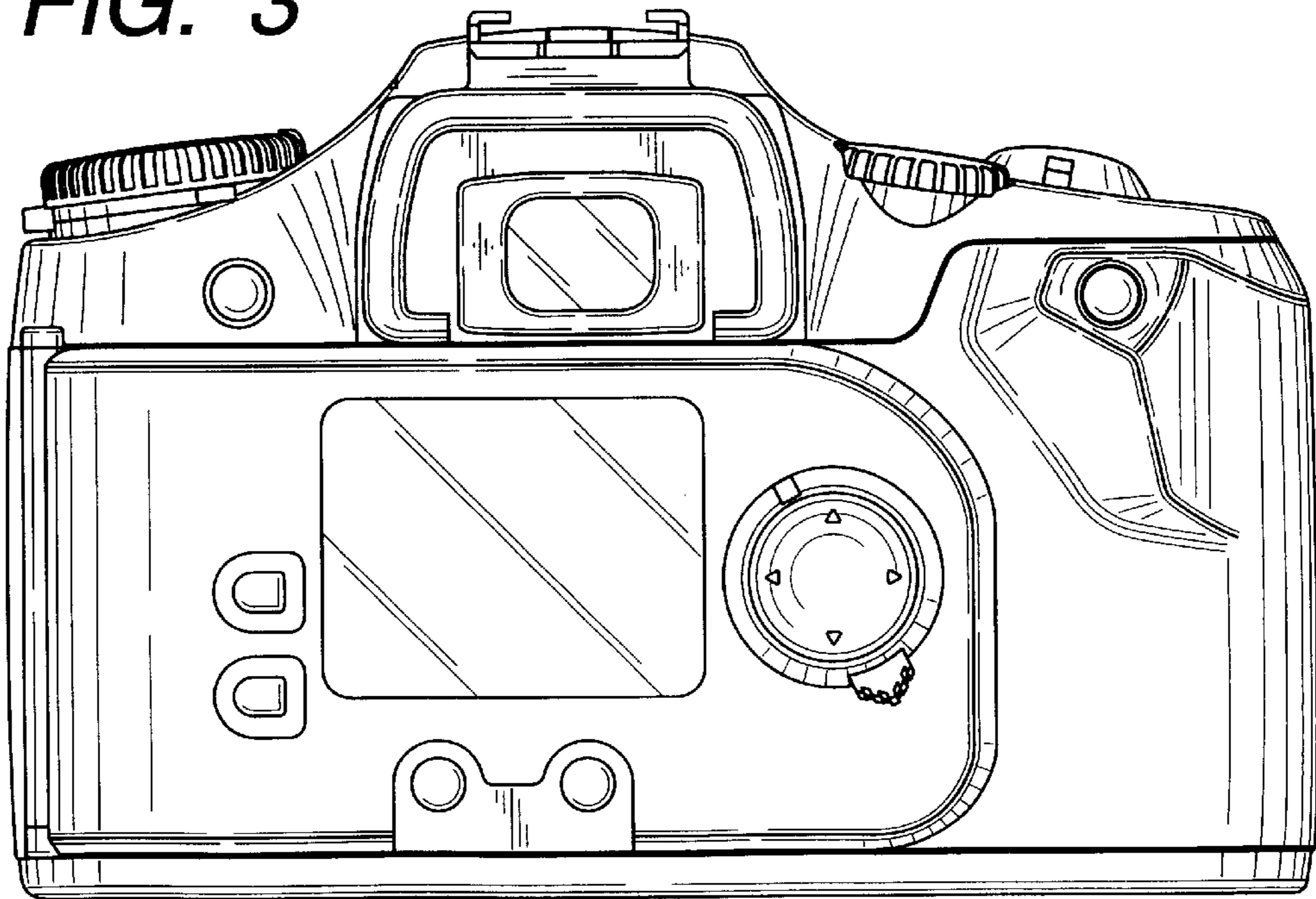
*FIG. 1*



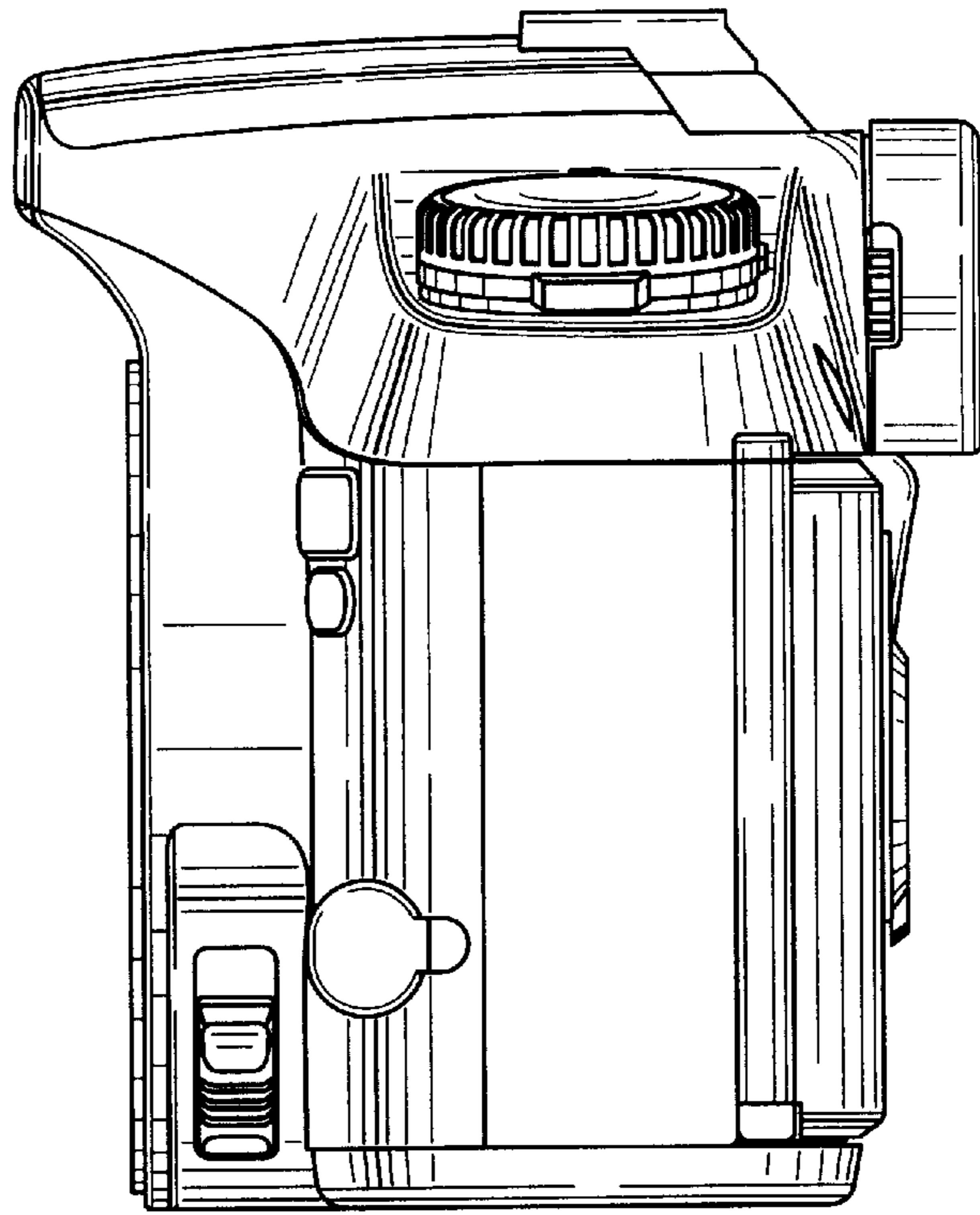
**FIG. 2**



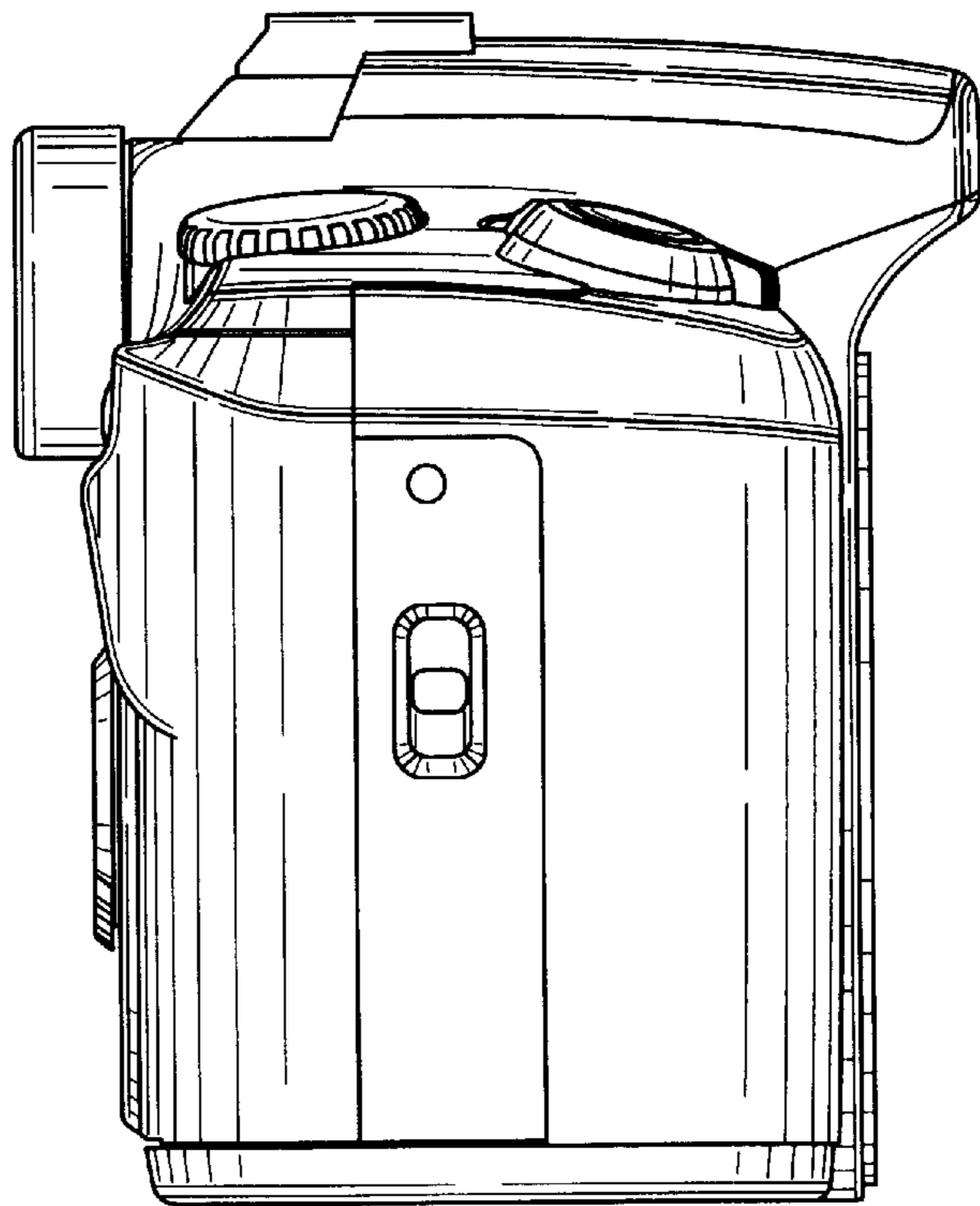
**FIG. 3**



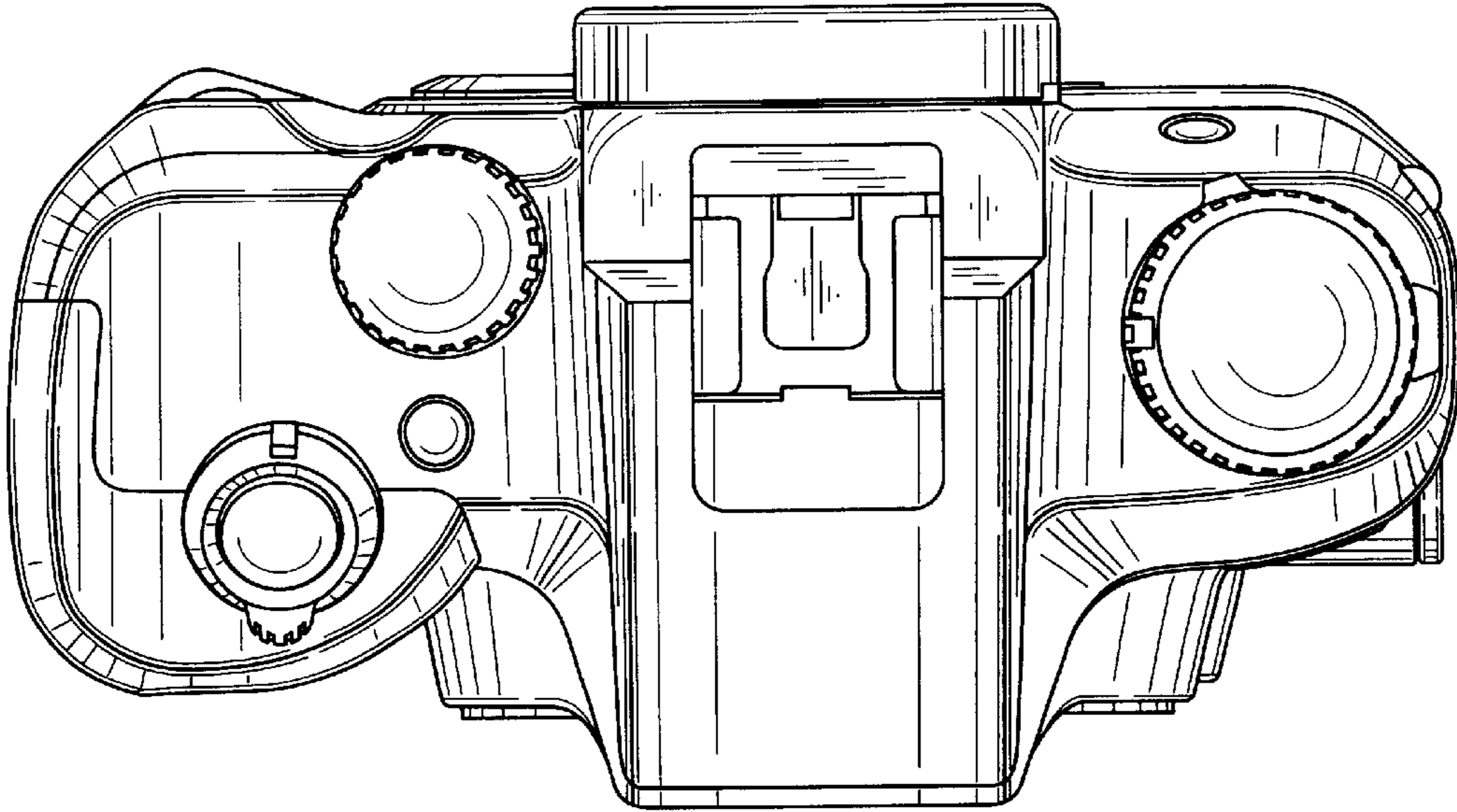
*FIG. 4*



*FIG. 5*



**FIG. 6**



**FIG. 7**

