



US00D482711S

(12) **United States Design Patent**
Kishigami et al.

(10) **Patent No.:** **US D482,711 S**

(45) **Date of Patent:** **** Nov. 25, 2003**

(54) **BINOCULARS**

(75) Inventors: **Takashi Kishigami**, Takatuki (JP);
Hiroshi Kobayashi, Yokohama (JP)

(73) Assignee: **Nikon Corporation**, Tokyo (JP)

(**) Term: **14 Years**

(21) Appl. No.: **29/176,127**

(22) Filed: **Feb. 20, 2003**

(30) **Foreign Application Priority Data**

Dec. 26, 2002 (JP) 2002-036120

(51) **LOC (7) Cl.** **16-06**

(52) **U.S. Cl.** **D16/133**

(58) **Field of Search** D16/130, 133;
359/407, 408, 409, 410, 411, 412, 413,
414, 415, 416, 417, 418

(56) **References Cited**

U.S. PATENT DOCUMENTS

D359,973 S * 7/1995 Hayamizu D16/133
D377,185 S * 1/1997 Nojima D16/133
D395,905 S * 7/1998 Hamamura D16/133

D412,177 S * 7/1999 Fujii D16/133
D427,220 S * 6/2000 Lee D16/133
D428,031 S * 7/2000 Inaba D16/133
D457,541 S * 5/2002 Hayashi D16/133

FOREIGN PATENT DOCUMENTS

JP S 1092563 12/2000

* cited by examiner

Primary Examiner—Paula A. Mortimer

(74) *Attorney, Agent, or Firm*—Oliff & Berridge, PLC

(57) **CLAIM**

The ornamental design for binoculars, as shown.

DESCRIPTION

FIG. 1 is a front perspective view of binoculars showing my new design;
FIG. 2 is a front view thereof;
FIG. 3 is a rear view thereof;
FIG. 4 is a top view thereof;
FIG. 5 is a bottom view thereof;
FIG. 6 is a right side view thereof; and,
FIG. 7 is a right side view thereof.

1 Claim, 4 Drawing Sheets

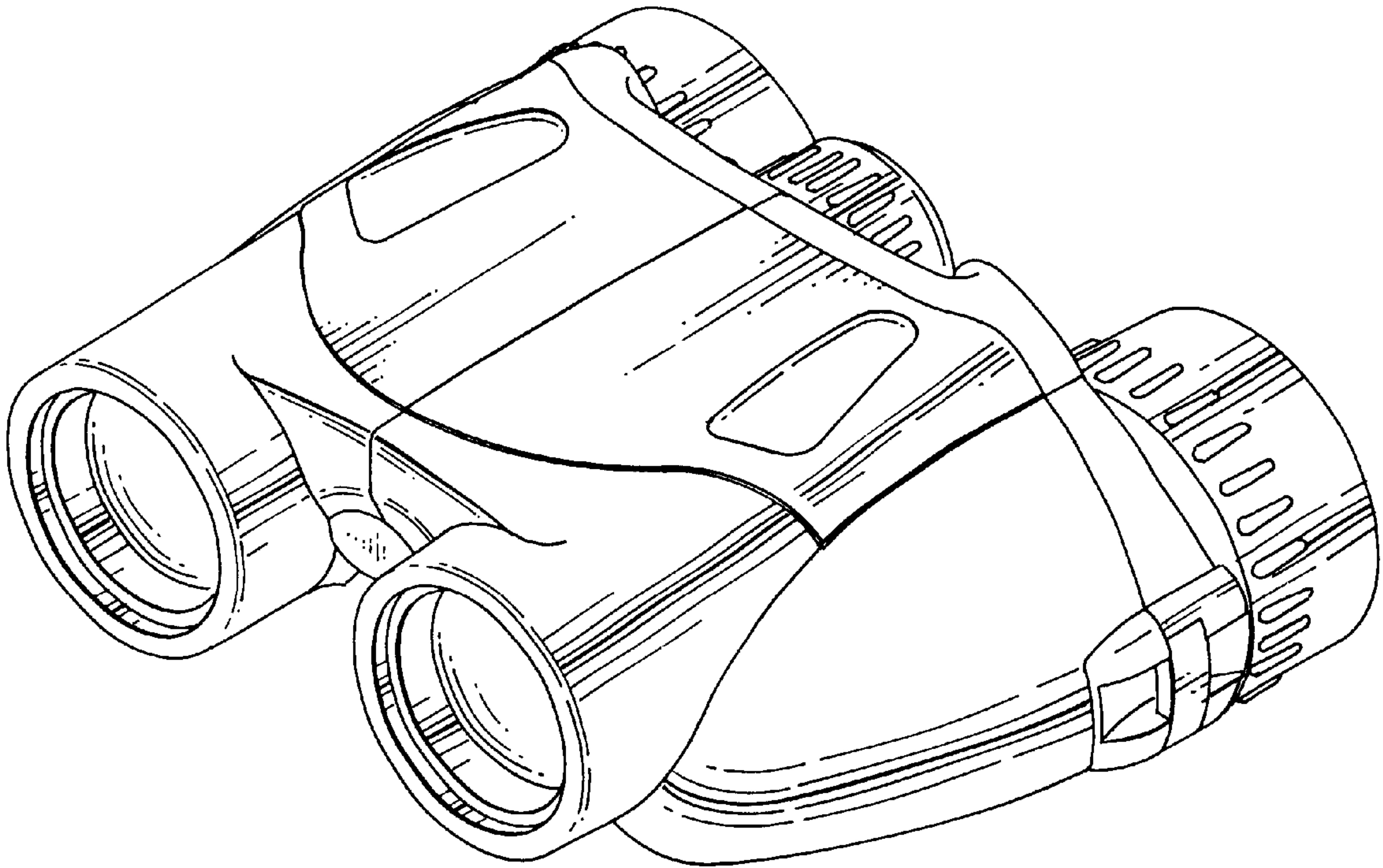


FIG. 1

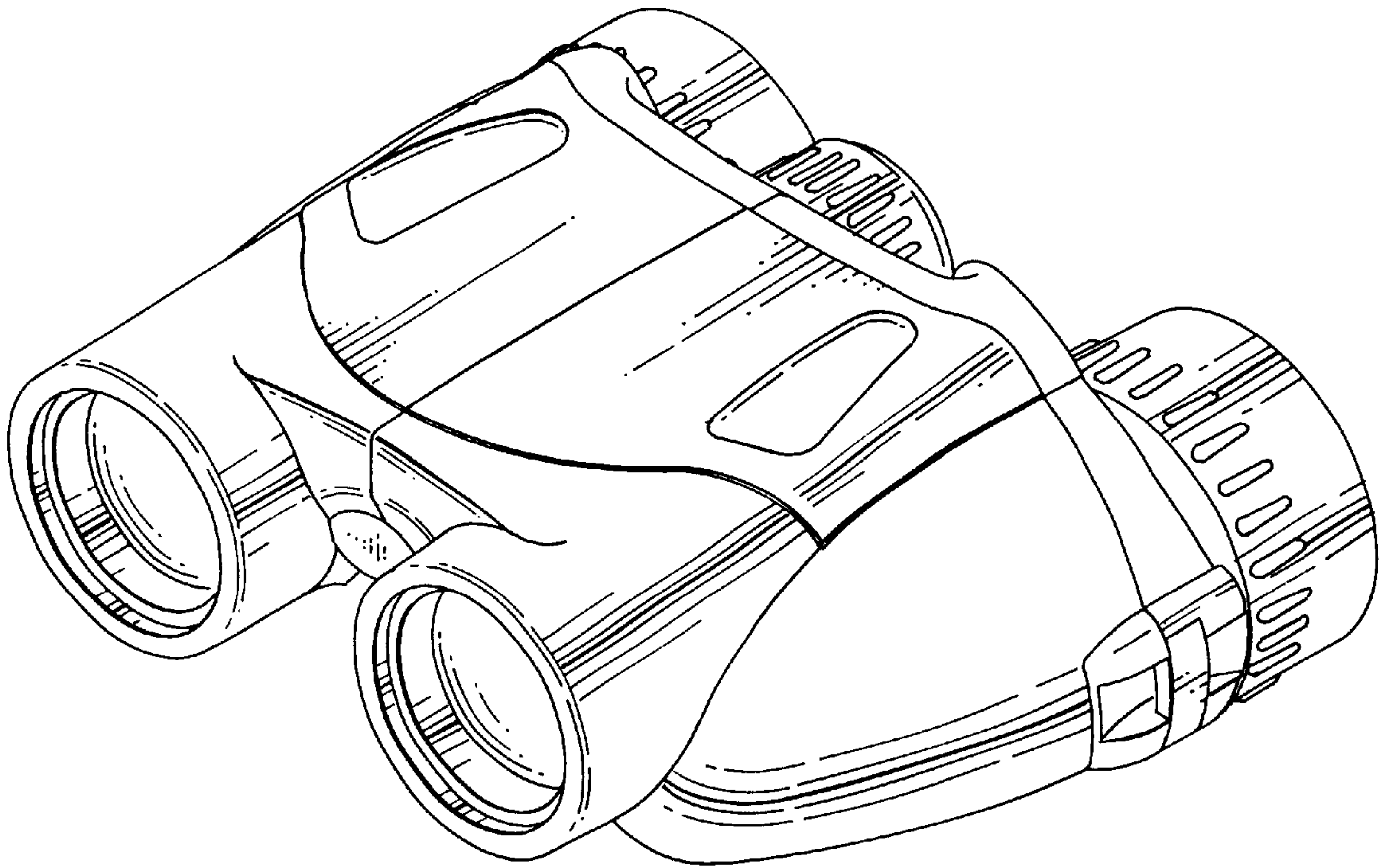


FIG. 2

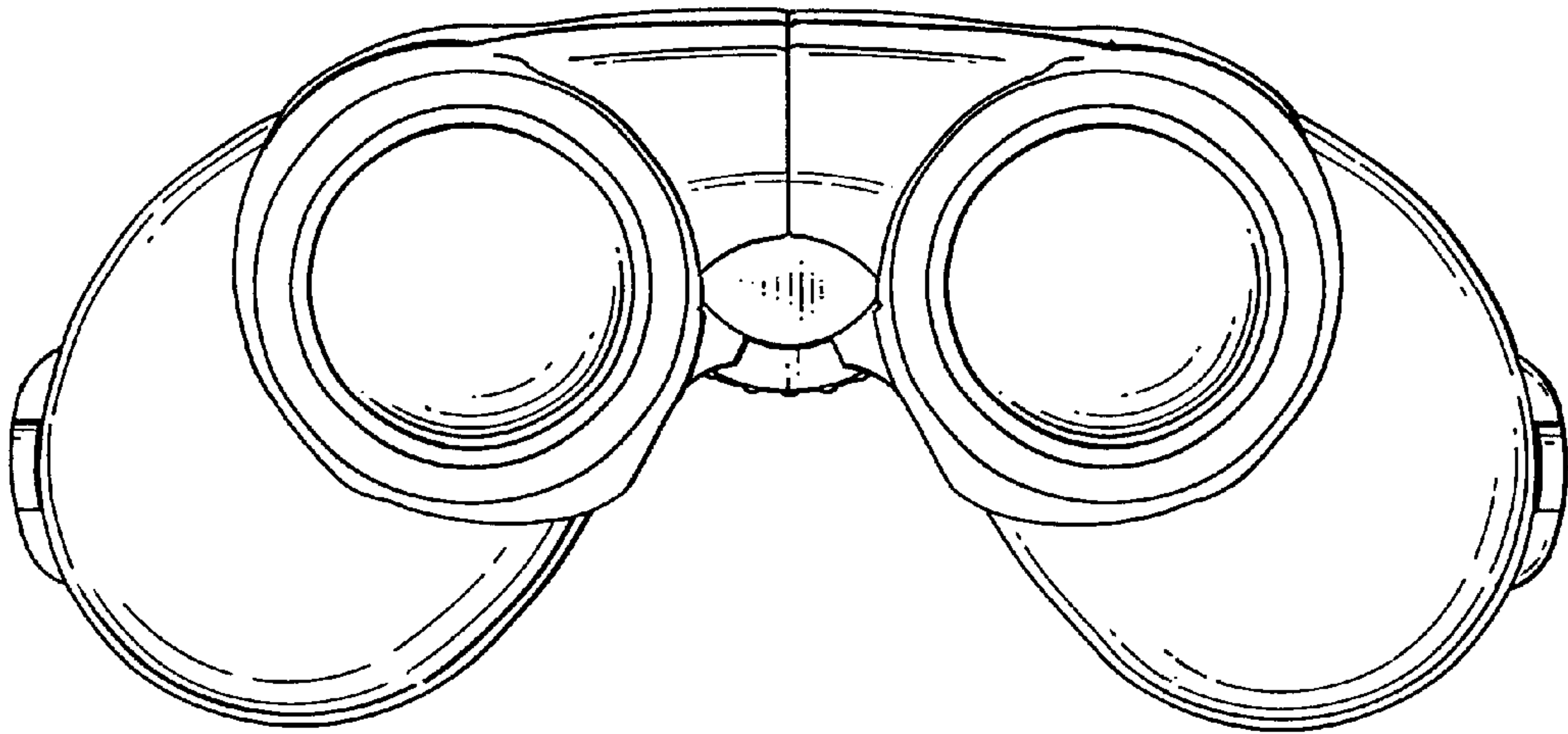


FIG. 3

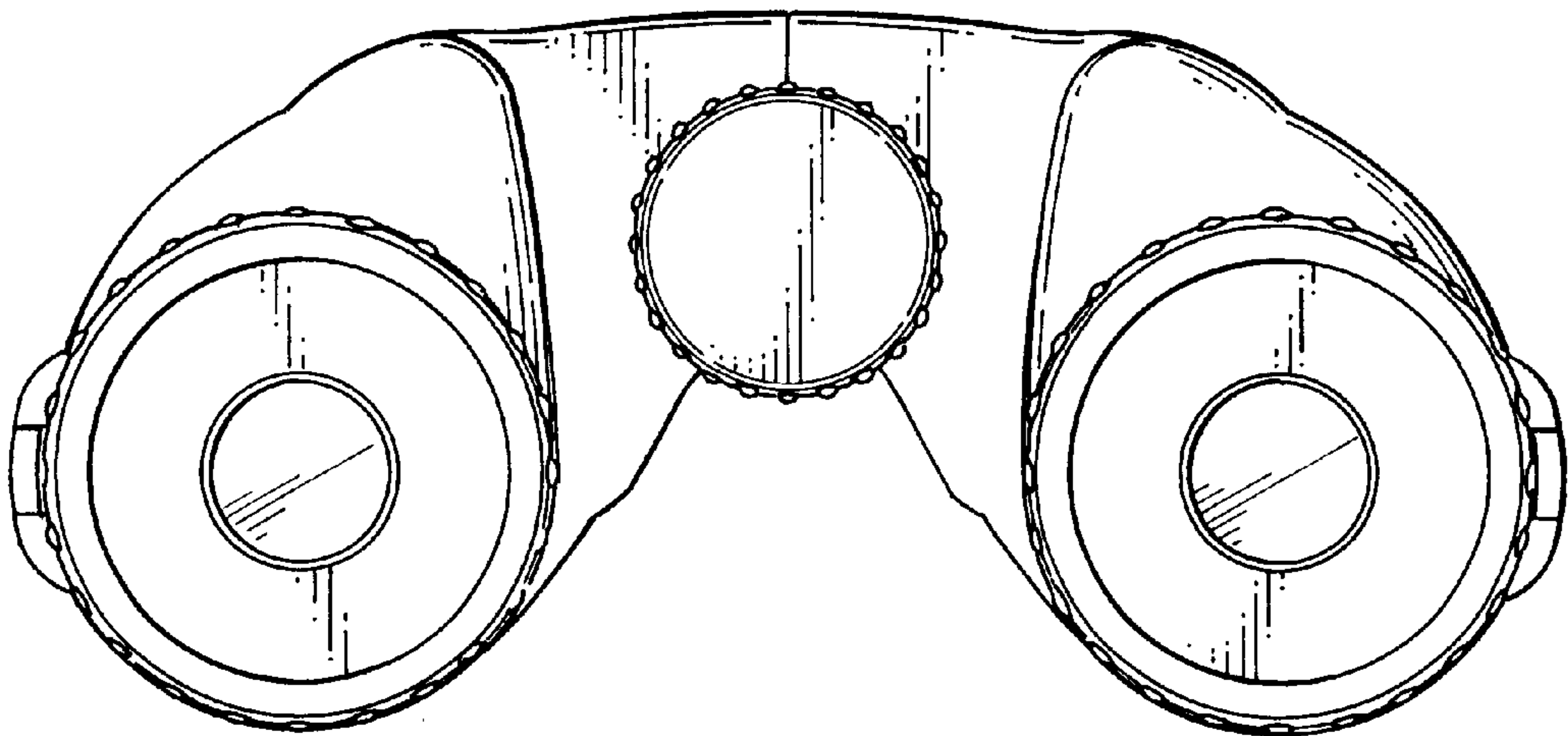


FIG. 4

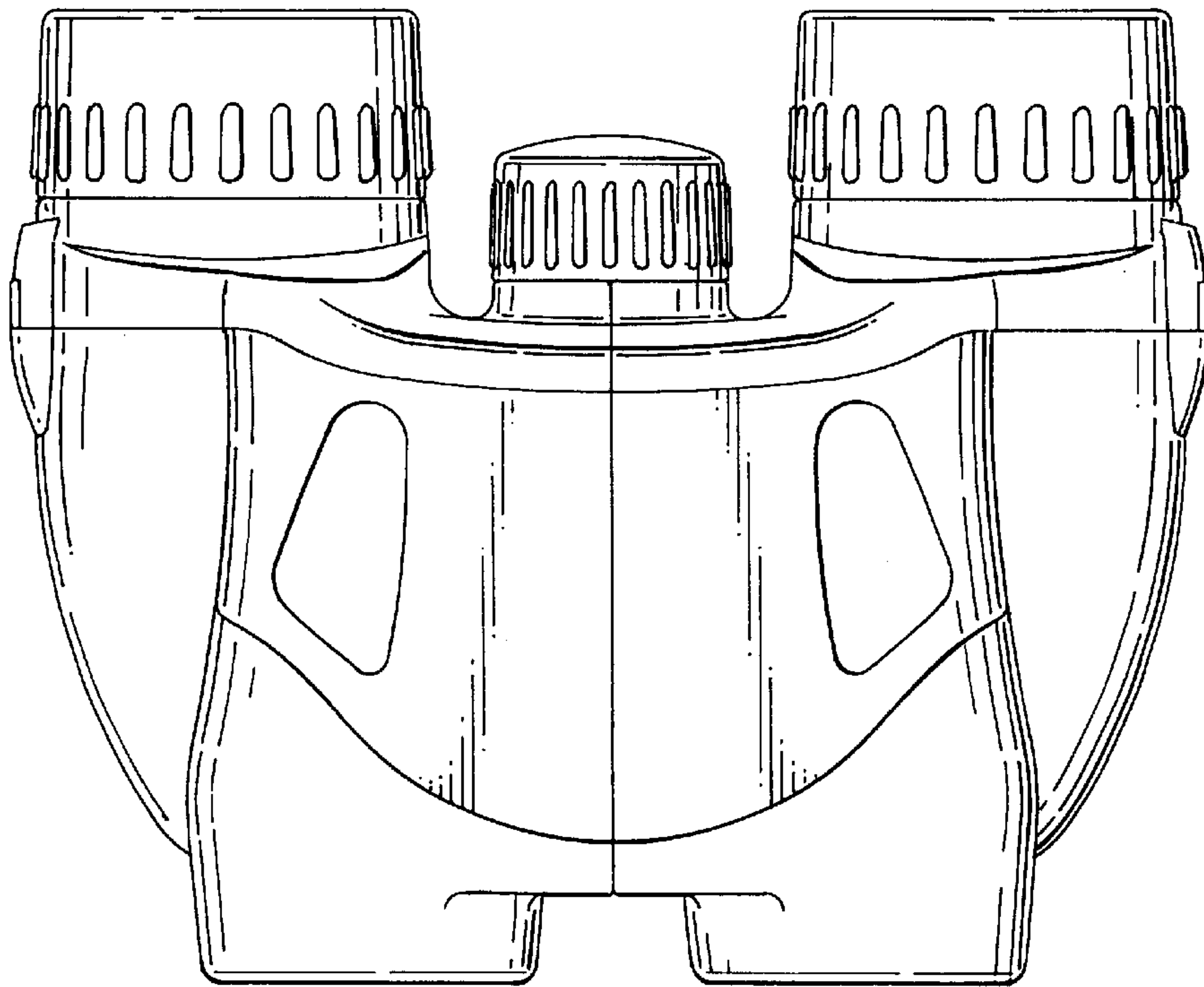


FIG. 5

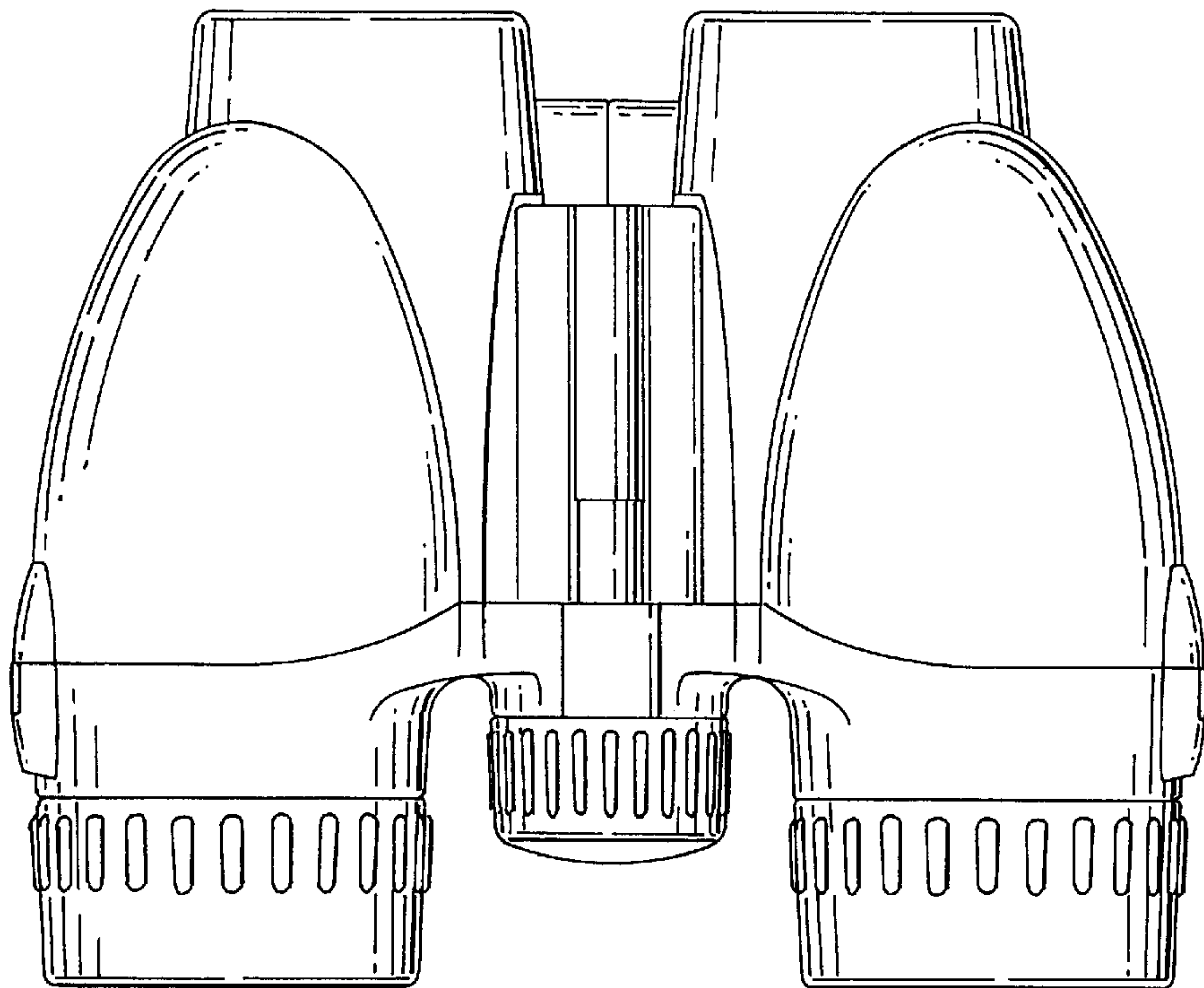


FIG. 6

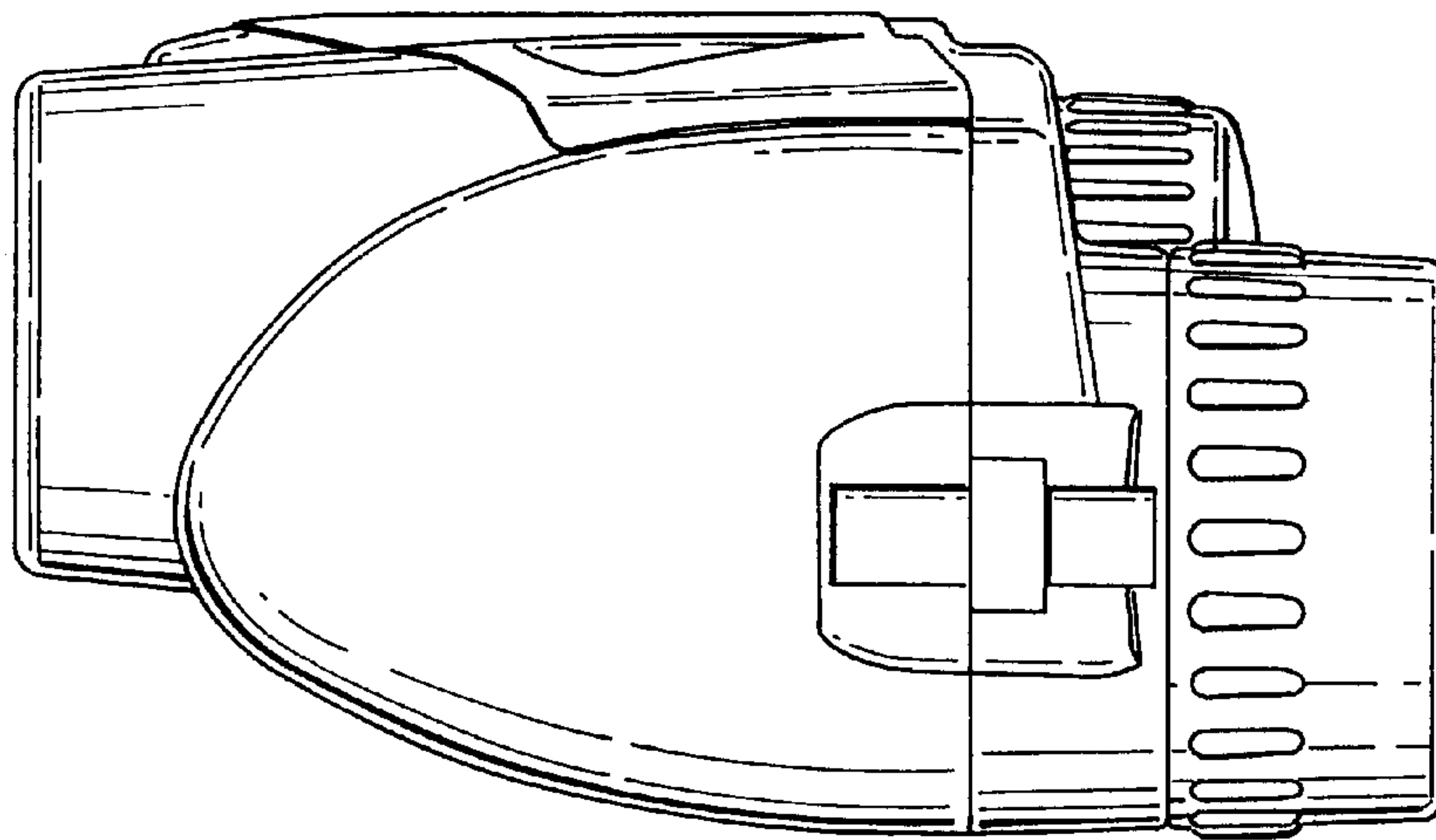


FIG. 7

