



US00D482710S

(12) **United States Design Patent**
Ho

(10) **Patent No.:** **US D482,710 S**

(45) **Date of Patent:** **** Nov. 25, 2003**

(54) **ASTRO AIMER**

D458,286 S * 6/2002 Kung D16/132
D475,798 S * 6/2003 Galli D26/37

(76) **Inventor:** **David Gian-Teh Ho**, 23685 Ridgecrest Ct., Diamond Bar, CA (US) 91765

* cited by examiner

(**) **Term:** **14 Years**

Primary Examiner—Paula A. Mortimer
(74) *Attorney, Agent, or Firm*—Christie, Parker & Hale, LLP

(21) **Appl. No.:** **29/171,573**

(22) **Filed:** **Nov. 25, 2002**

(57) **CLAIM**

(51) **LOC (7) Cl.** **16-06**

(52) **U.S. Cl.** **D16/132**

(58) **Field of Search** D16/130, 132;
D26/37, 38–50; D19/41–51; 362/157–158,
184, 186, 200–209, 400, 404, 407, 412–415,
416–421

The ornamental design for astro aimer, as shown and described.

DESCRIPTION

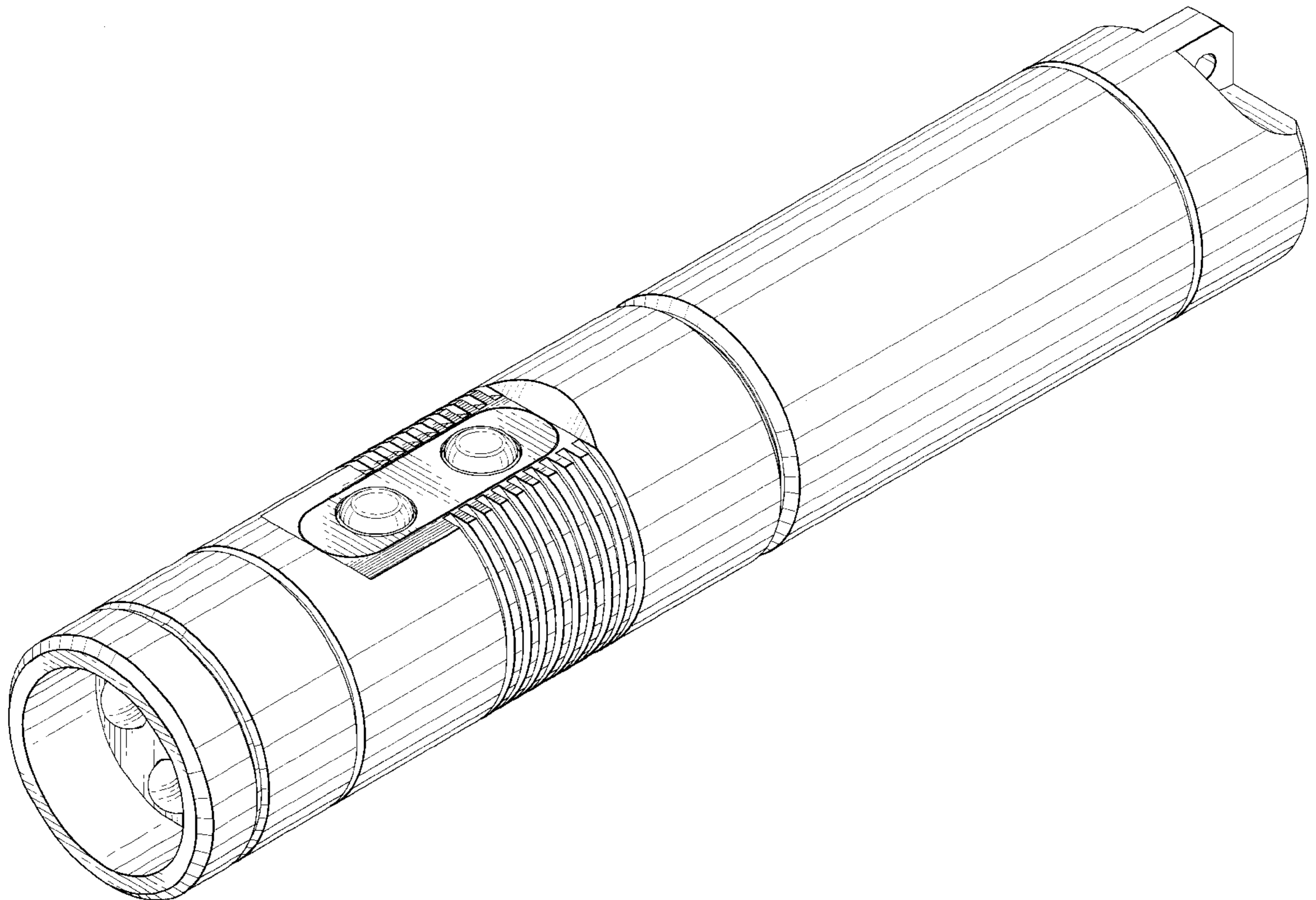
(56) **References Cited**

U.S. PATENT DOCUMENTS

D305,030 S * 12/1989 Fukushima D16/132
D333,669 S * 3/1993 Ohshima D16/132
D429,831 S * 8/2000 Ting D26/37

FIG. 1 is a perspective view of an astro aimer according to my new design;
FIG. 2 is a top view of the astro aimer;
FIG. 3 is a side view of the astro aimer;
FIG. 4 is a bottom view of the astro aimer;
FIG. 5 is a front view of the astro aimer; and,
FIG. 6 is a back view of the astro aimer.

1 Claim, 3 Drawing Sheets



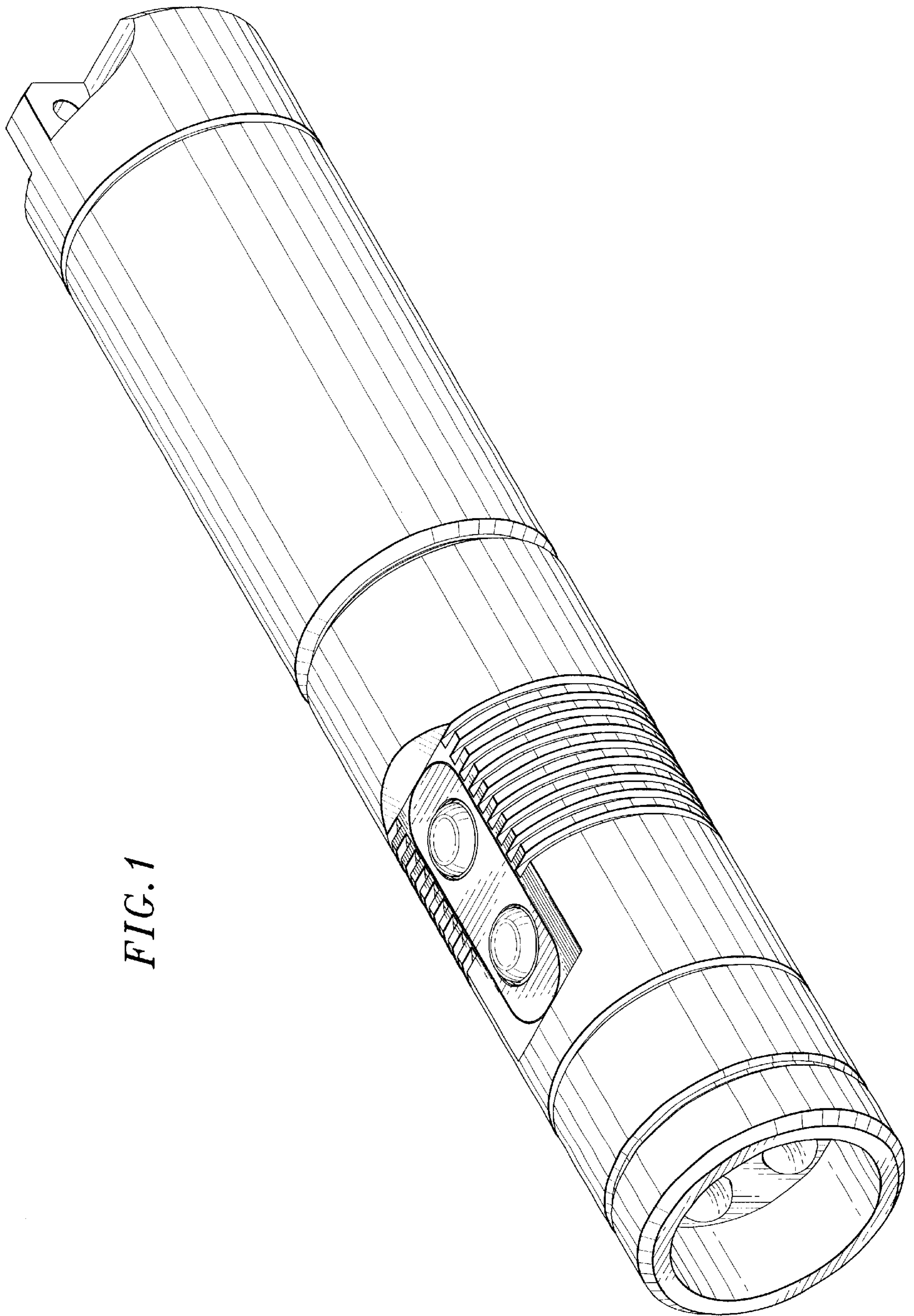


FIG. 1

FIG. 2

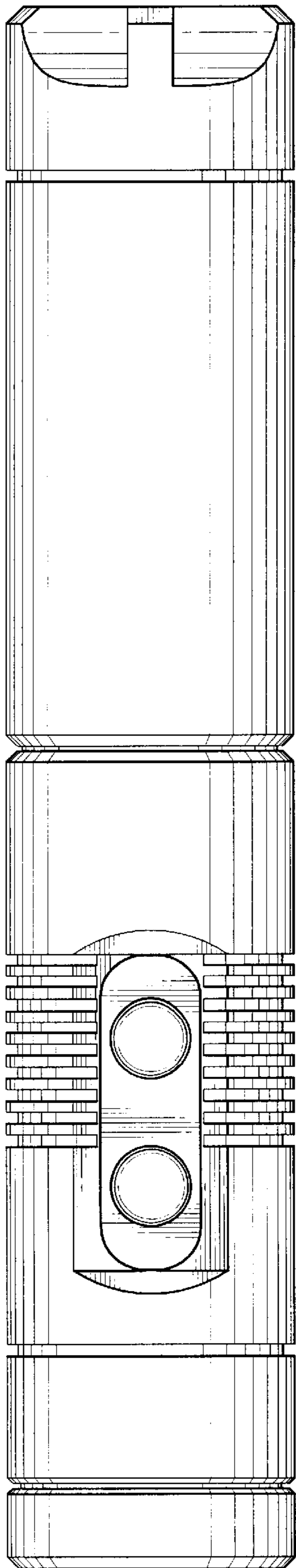


FIG. 3

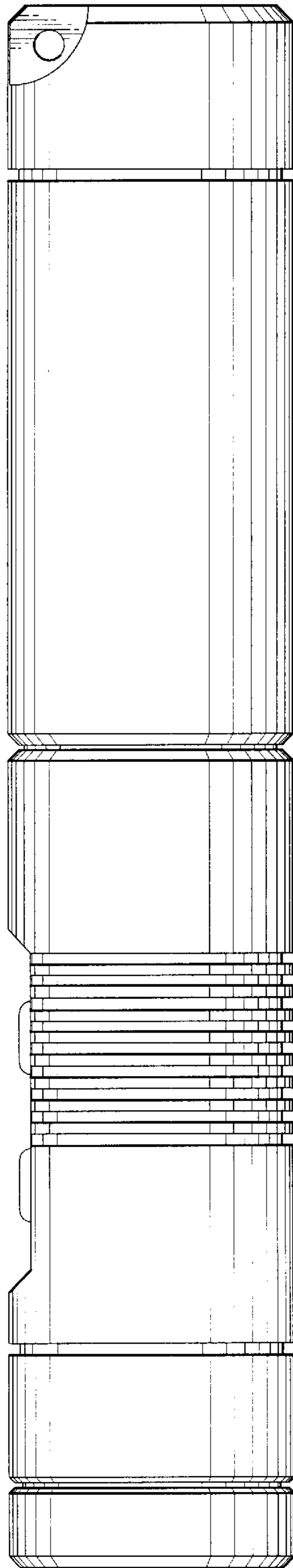


FIG. 4

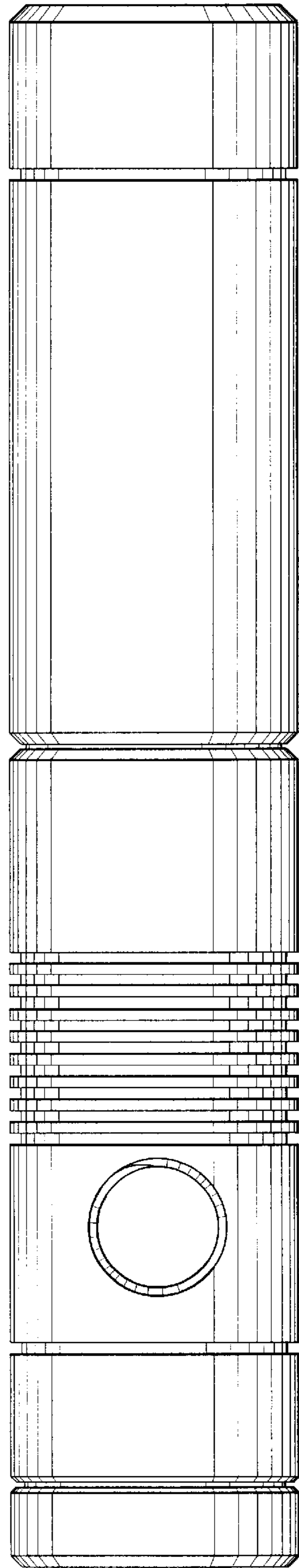


FIG. 6

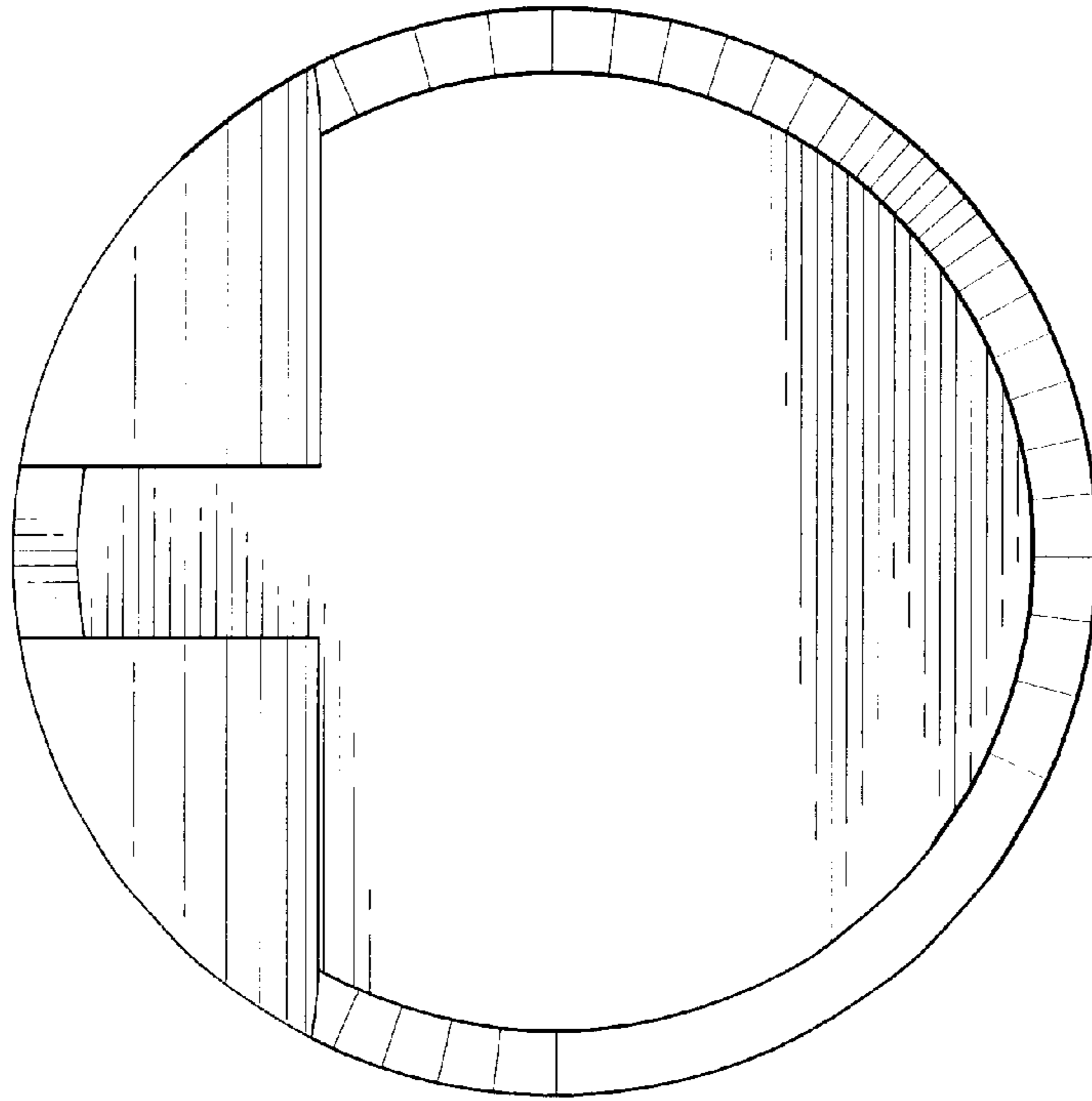


FIG. 5

