



US00D482709S

(12) **United States Design Patent**  
**Meinzer**

(10) **Patent No.:** **US D482,709 S**

(45) **Date of Patent:** **\*\* Nov. 25, 2003**

(54) **SPOTTING SCOPE**

(75) Inventor: **Manfred Meinzer**, Hermer (DE)

(73) Assignee: **Leica Camera AG**, Solms (DE)

(\*\*) Term: **14 Years**

(21) Appl. No.: **29/162,112**

(22) Filed: **Jun. 11, 2002**

(30) **Foreign Application Priority Data**

Dec. 11, 2001 (DE) ..... 4 01 10 680

(51) **LOC (7) Cl.** ..... **16-06**

(52) **U.S. Cl.** ..... **D16/132**

(58) **Field of Search** ..... D16/130, 131,  
D16/132, 135; D22/109, 110; 359/353,  
382, 383, 384, 399, 405, 407, 412, 413,  
415, 419, 480

(56) **References Cited**

**U.S. PATENT DOCUMENTS**

D165,231 S	*	11/1951	Kieffer, III et al.	.....	D16/132
D190,886 S	*	7/1961	Burlin	.....	D16/132
D219,623 S	*	12/1970	Bushnell	.....	D16/132
D285,802 S	*	9/1986	Ogasawara	.....	D16/132
D344,531 S	*	2/1994	Nemoto	.....	D16/132
D374,021 S	*	9/1996	Meinzer	.....	D16/132
D374,022 S	*	9/1996	Meinzer	.....	D16/132

\* cited by examiner

*Primary Examiner*—Paula A. Mortimer

(74) *Attorney, Agent, or Firm*—Crowell & Moring LLP

(57) **CLAIM**

The ornamental design for a spotting scope, as shown and described.

**DESCRIPTION**

FIG. 1 is a right side view of a spotting scope according to my novel design;

FIG. 2 is a left side view of the spotting scope according to my novel design;

FIG. 3 is a bottom view of the spotting scope according to my novel design;

FIG. 4 is a top view of the spotting scope according to my novel design;

FIG. 5 is a rear view of the spotting scope according to my novel design;

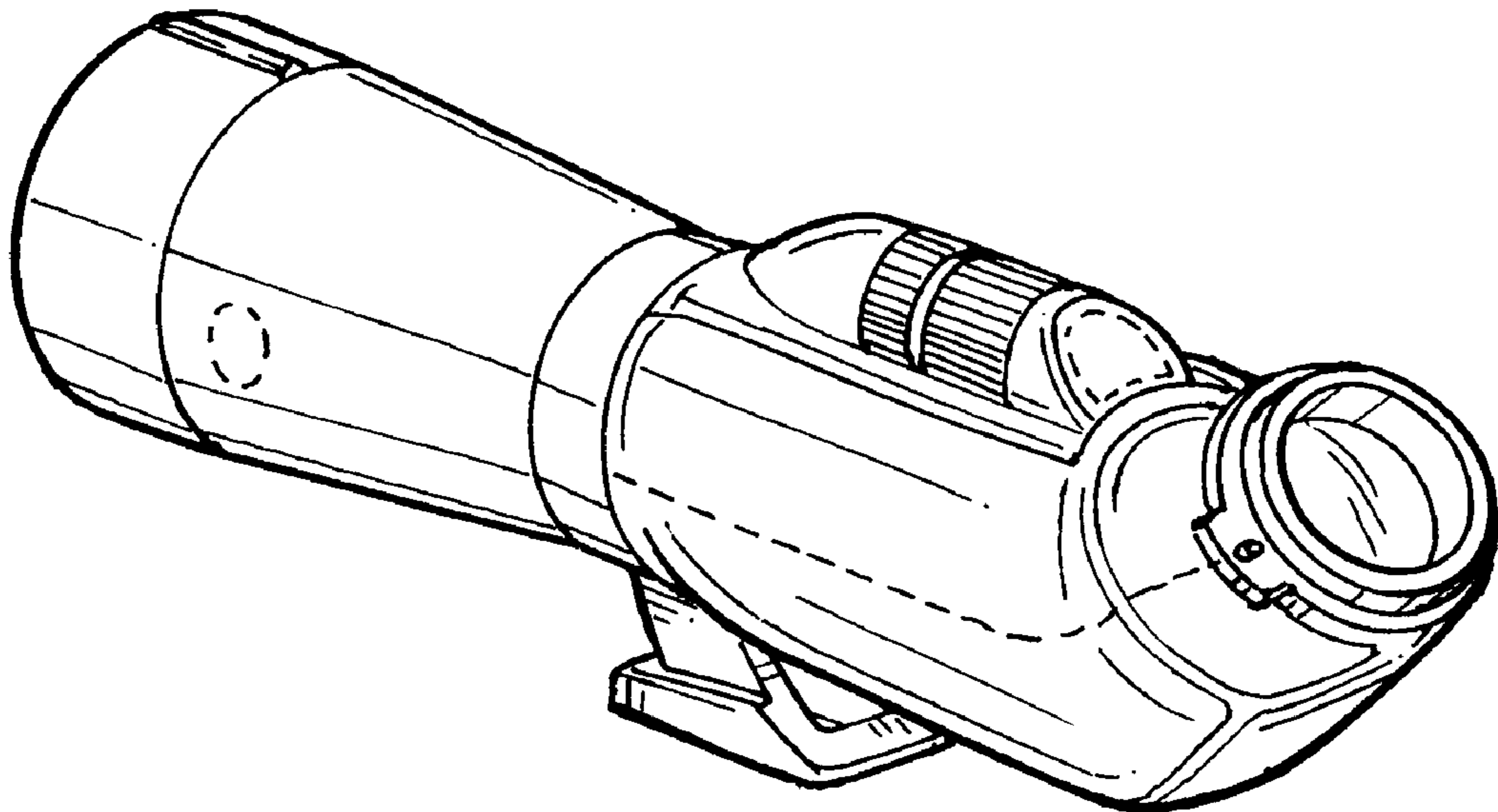
FIG. 6 is a front view of the spotting scope according to my novel design;

FIG. 7 is a right side perspective view from the rear of the spotting scope according to my novel design; and,

FIG. 8 is a left side perspective view from the front of the spotting scope according to my novel design.

The broken lines in FIGS. 1, 2, 3, 4, 6, 7, and 8 is for illustrative purposes only and forms no part of the claimed design.

**1 Claim, 3 Drawing Sheets**



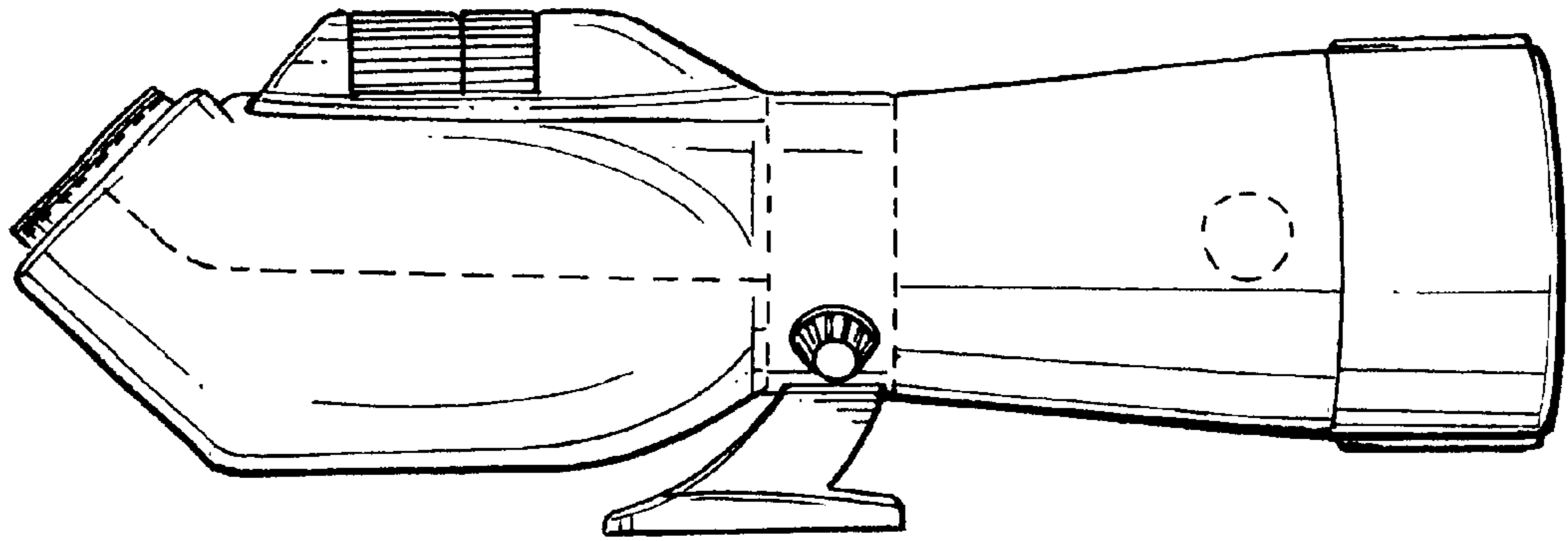


FIG. 1

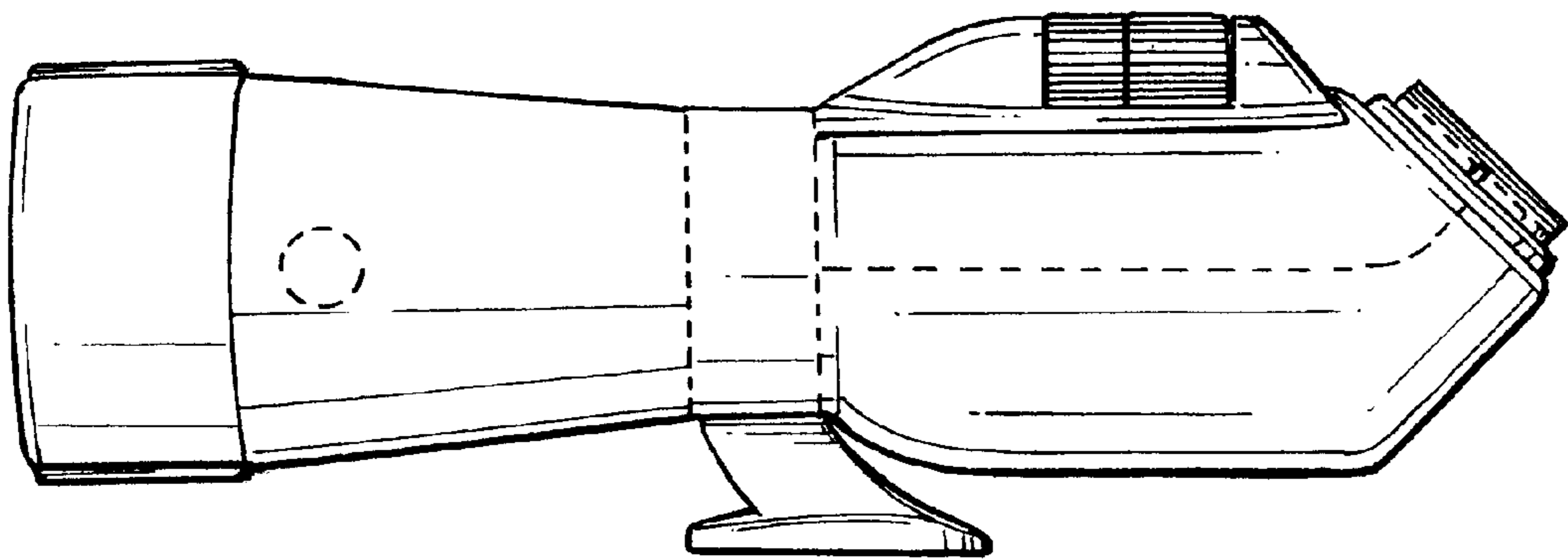


FIG. 2

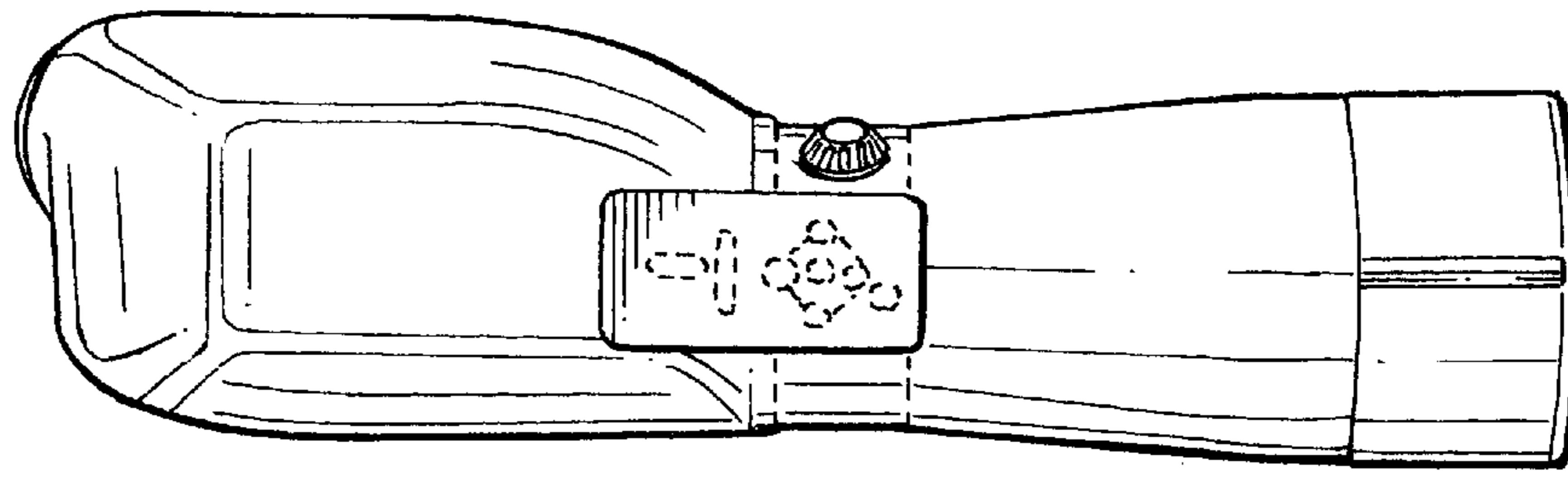


FIG. 3

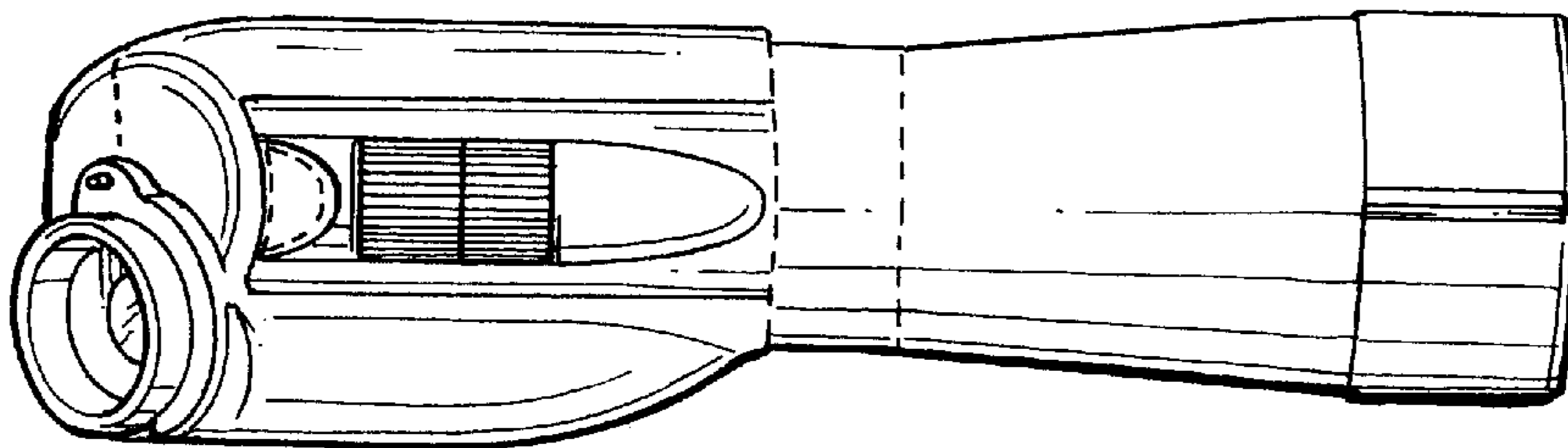


FIG. 4

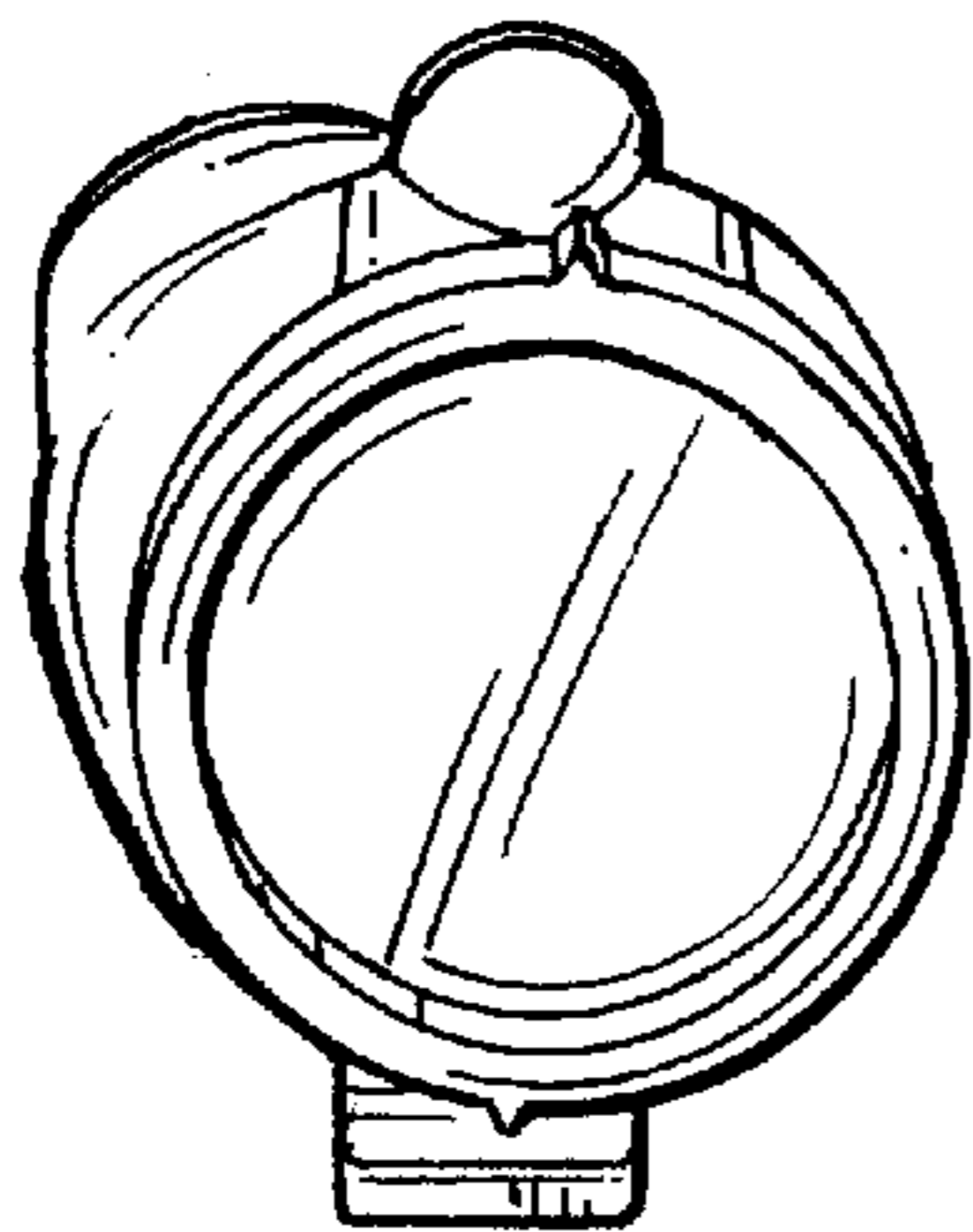


FIG. 5

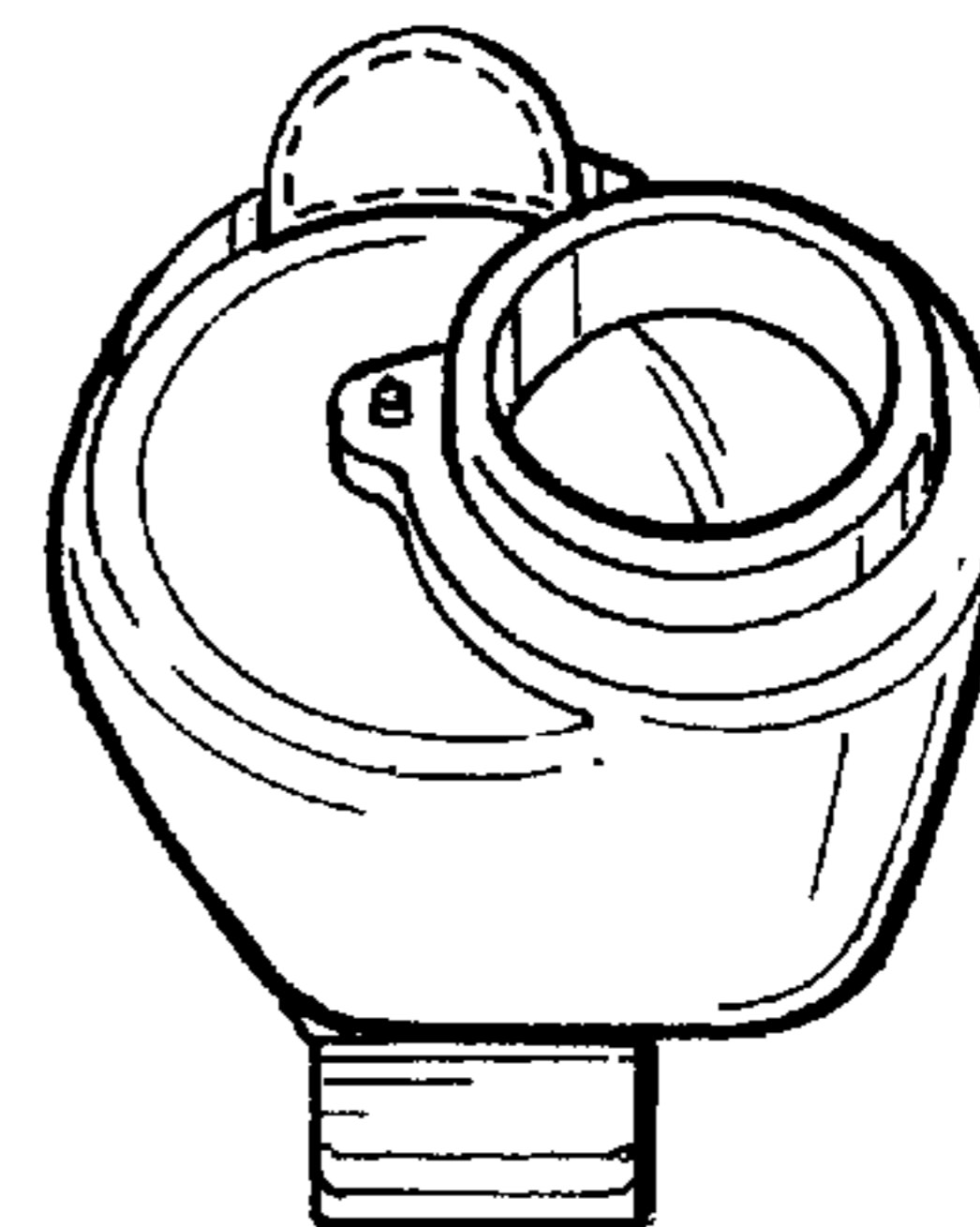


FIG. 6

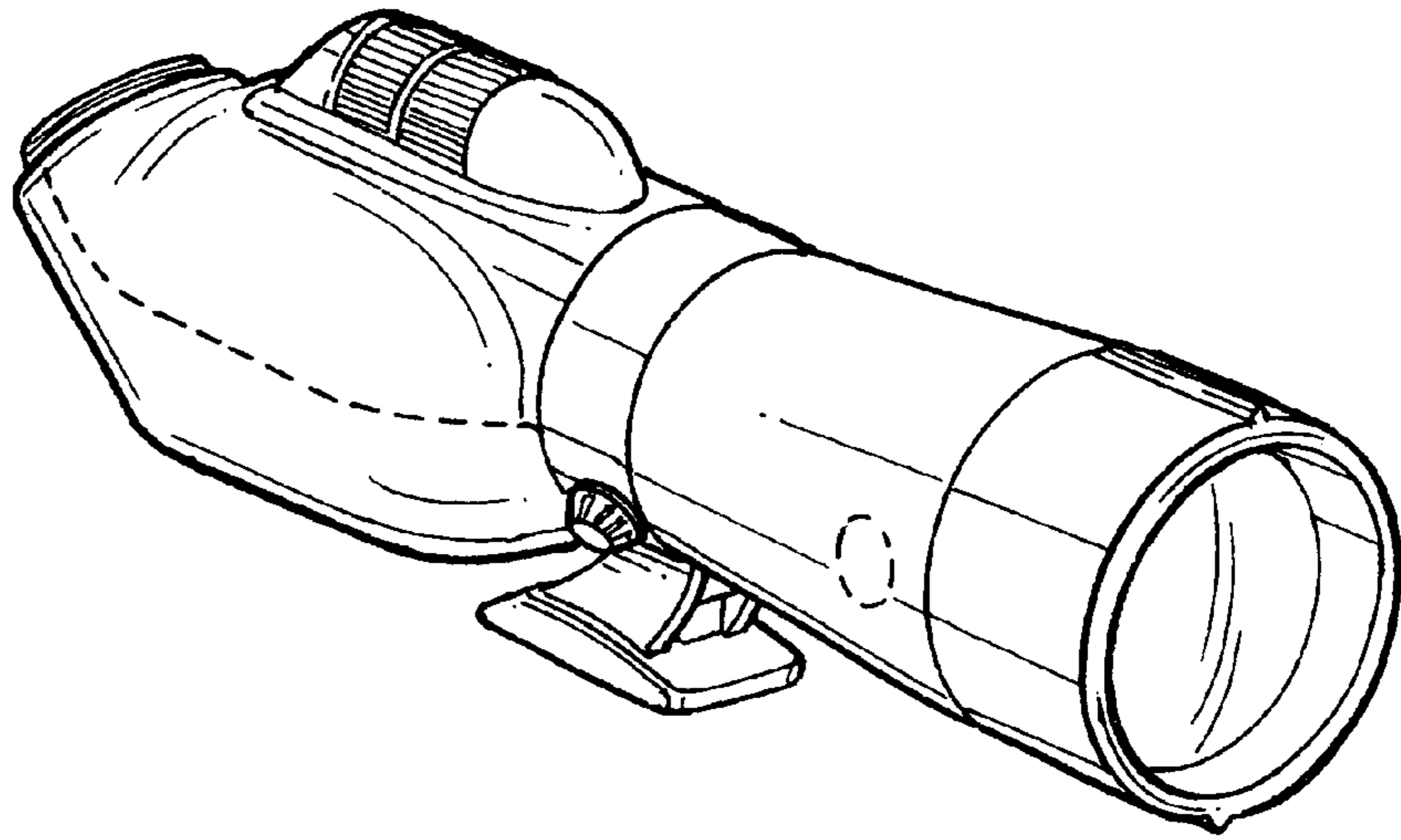


FIG. 7

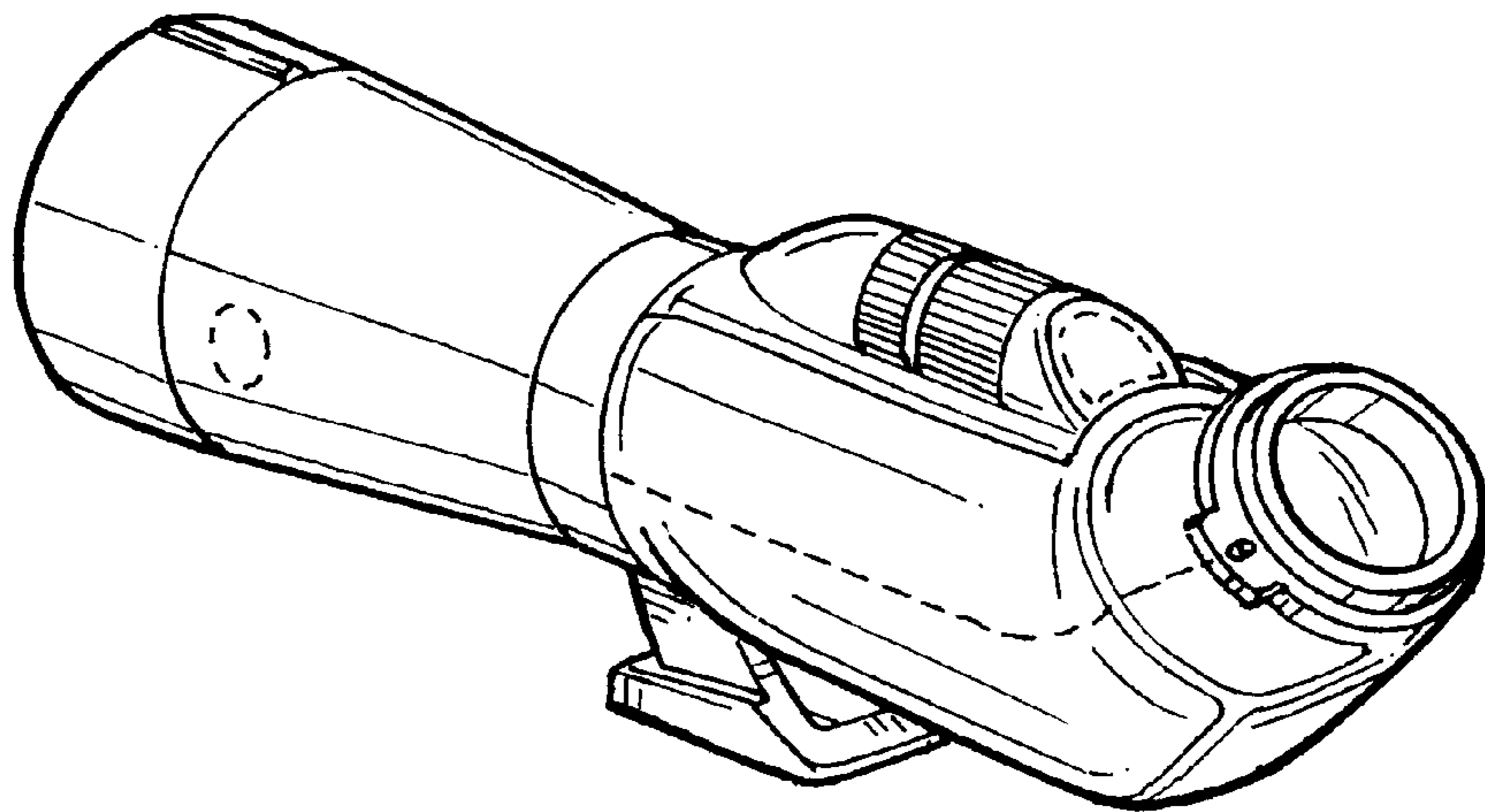


FIG. 8