



US00D482705S

(12) **United States Design Patent**
Reed et al.

(10) **Patent No.:** **US D482,705 S**

(45) **Date of Patent:** **** Nov. 25, 2003**

(54) **SHELF FRONT**

D309,461 S * 7/1990 Bussan et al. D15/89
6,488,347 B1 * 12/2002 Bienick 312/408

(75) Inventors: **William A. Reed**, Cedarburg, WI (US);
Joseph E. Braun, Milwaukee, WI
(US); **Michael J. Nickel**, Milwaukee,
WI (US); **David H. Roland**, Cedarburg,
WI (US); **Brett J. Vladika**, Milwaukee,
WI (US)

* cited by examiner

Primary Examiner—Mitchell Siegel
(74) *Attorney, Agent, or Firm*—Quarles & Brady LLP

(73) Assignee: **U-Line Corporation**, Milwaukee, WI
(US)

(57) **CLAIM**

The ornamental design for a shelf front, as shown and described.

(**) Term: **14 Years**

DESCRIPTION

(21) Appl. No.: **29/155,719**

FIG. 1 is a perspective view of a shelf front showing my new design;

(22) Filed: **Feb. 14, 2002**

FIG. 2 is a top elevational view thereof;

(51) **LOC (7) Cl.** **15-07**

FIG. 3 is a front elevational view thereof;

(52) **U.S. Cl.** **D15/89**

FIG. 4 is a back elevational view thereof;

(58) **Field of Search** D15/79-89; 312/128,
312/132, 214, 408; 211/153; 108/108

FIG. 5 is a right side elevational view thereof, the left side elevational view being a mirror image of the right side; and,

FIG. 6 is bottom elevational view thereof.

(56) **References Cited**

The broken line showing is for illustrative purposes only and forms no part of the claimed design.

U.S. PATENT DOCUMENTS

D142,904 S * 11/1945 Paddock D15/89

1 Claim, 2 Drawing Sheets

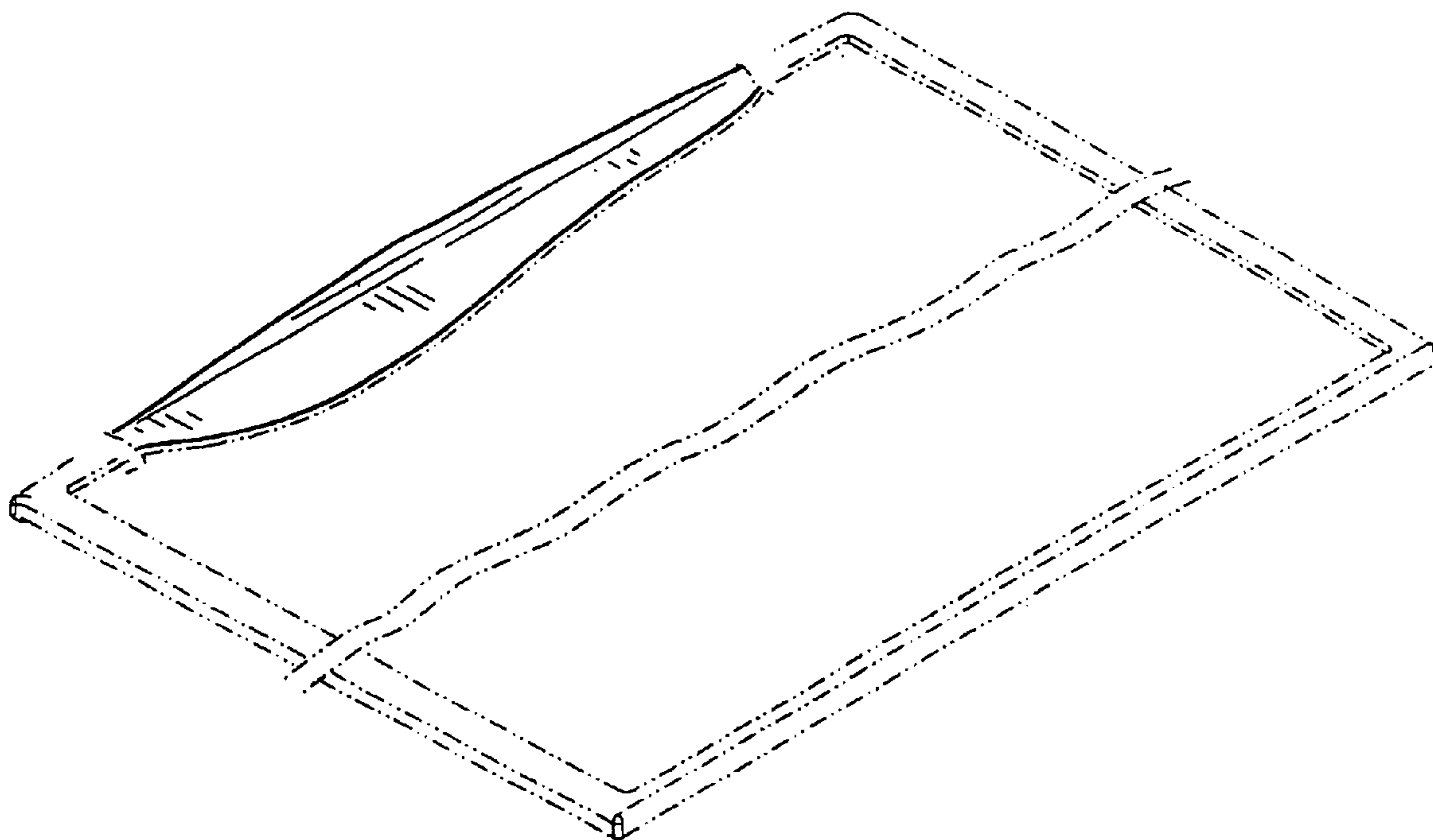


FIG. 1

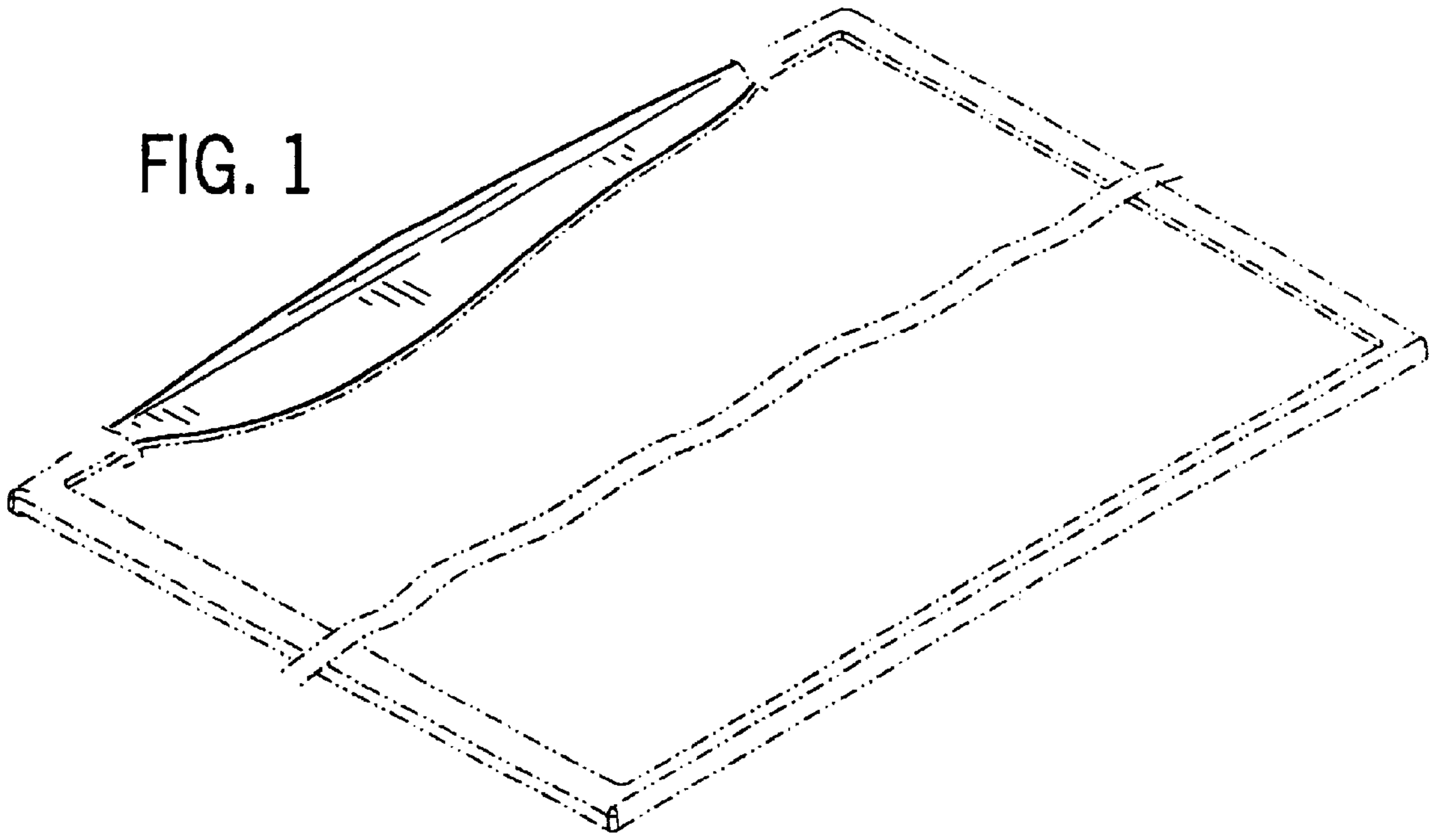


FIG. 2

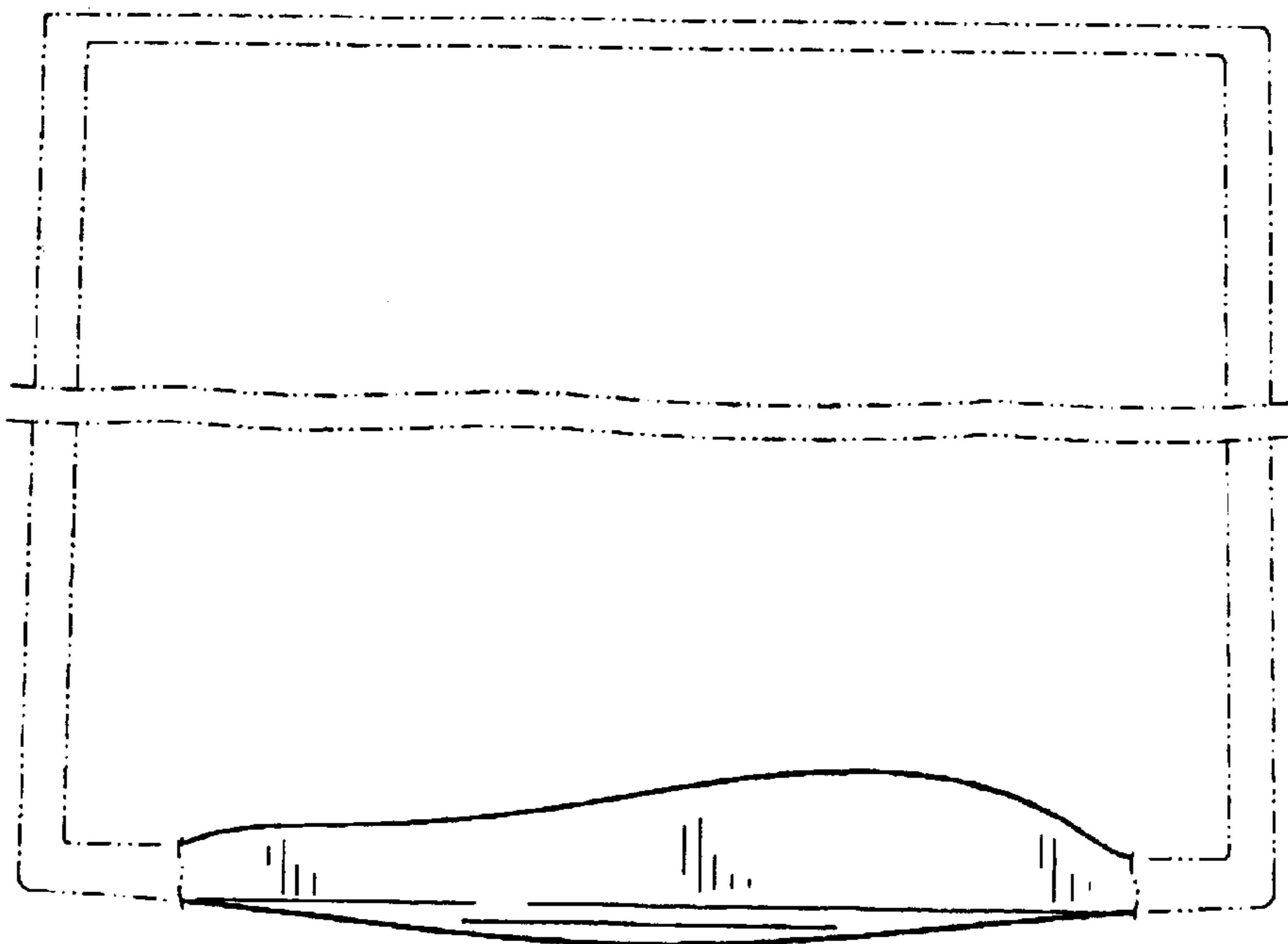


FIG. 3

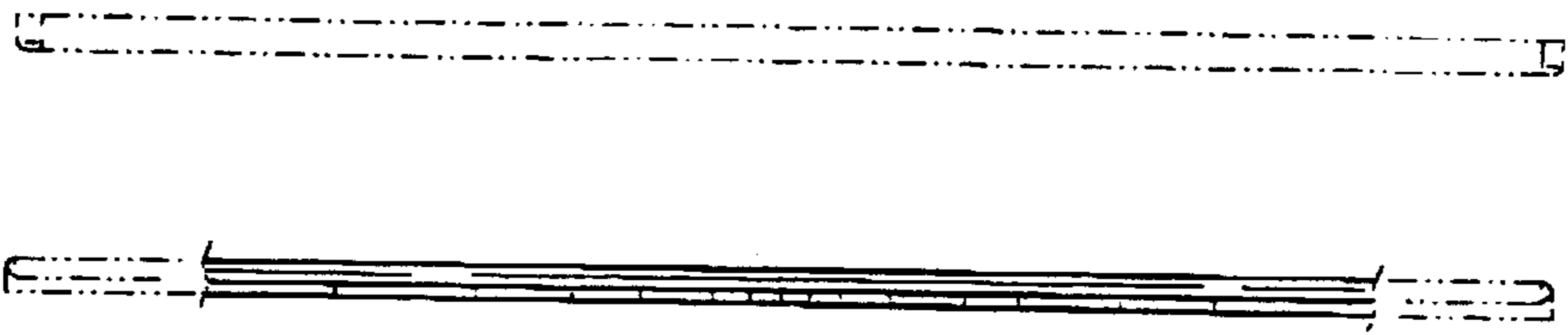
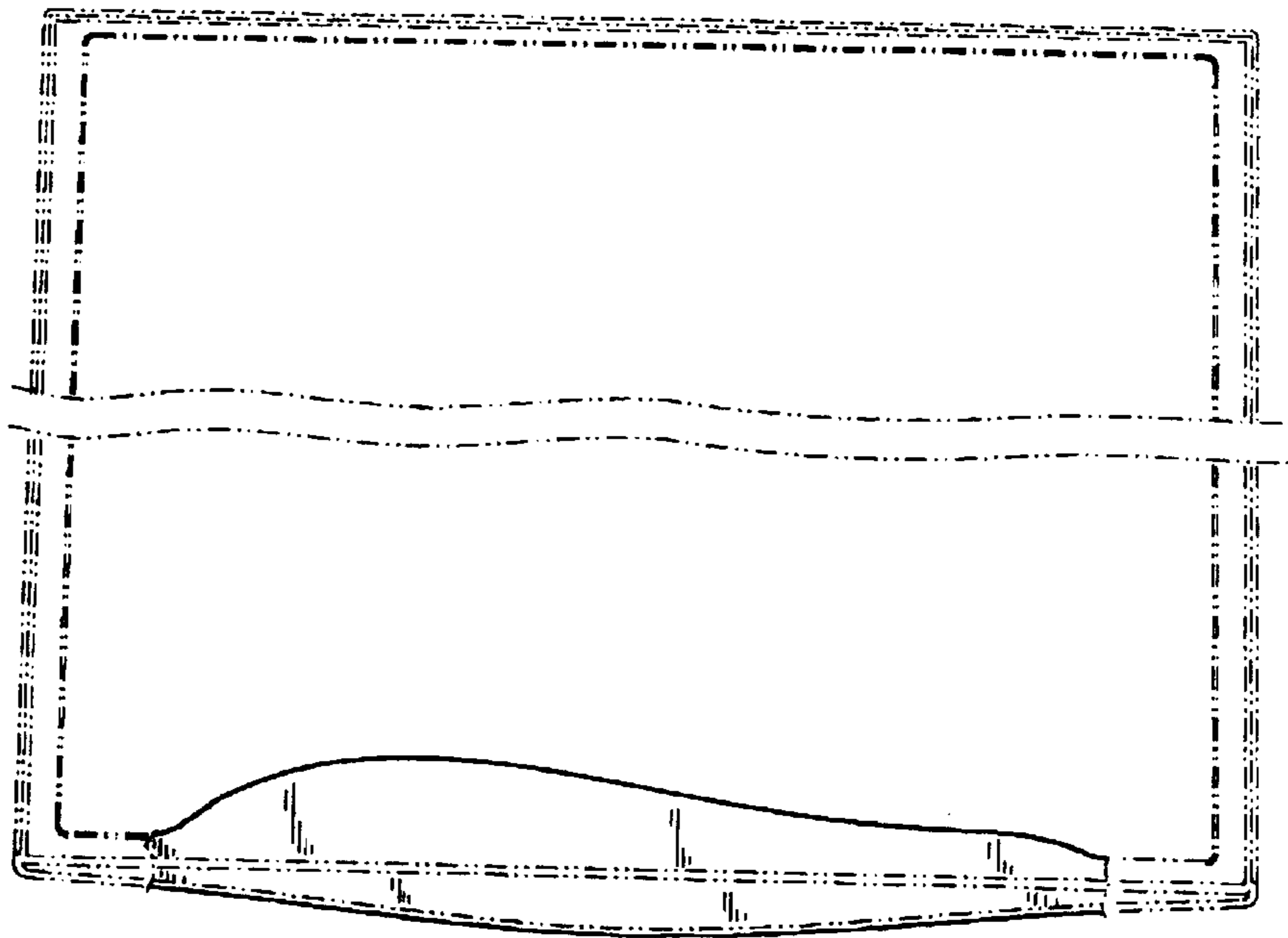


FIG. 4



FIG. 5

FIG. 6



UNITED STATES PATENT AND TRADEMARK OFFICE
CERTIFICATE OF CORRECTION

PATENT NO. : Des. 482,705 S
DATED : November 25, 2003
INVENTOR(S) : William A. Reed et al.

Page 1 of 1

It is certified that error appears in the above-identified patent and that said Letters Patent is hereby corrected as shown below:

Drawings,

Figure 2, "elevational" should be -- plan --

Figure 3, "front" should be -- back --

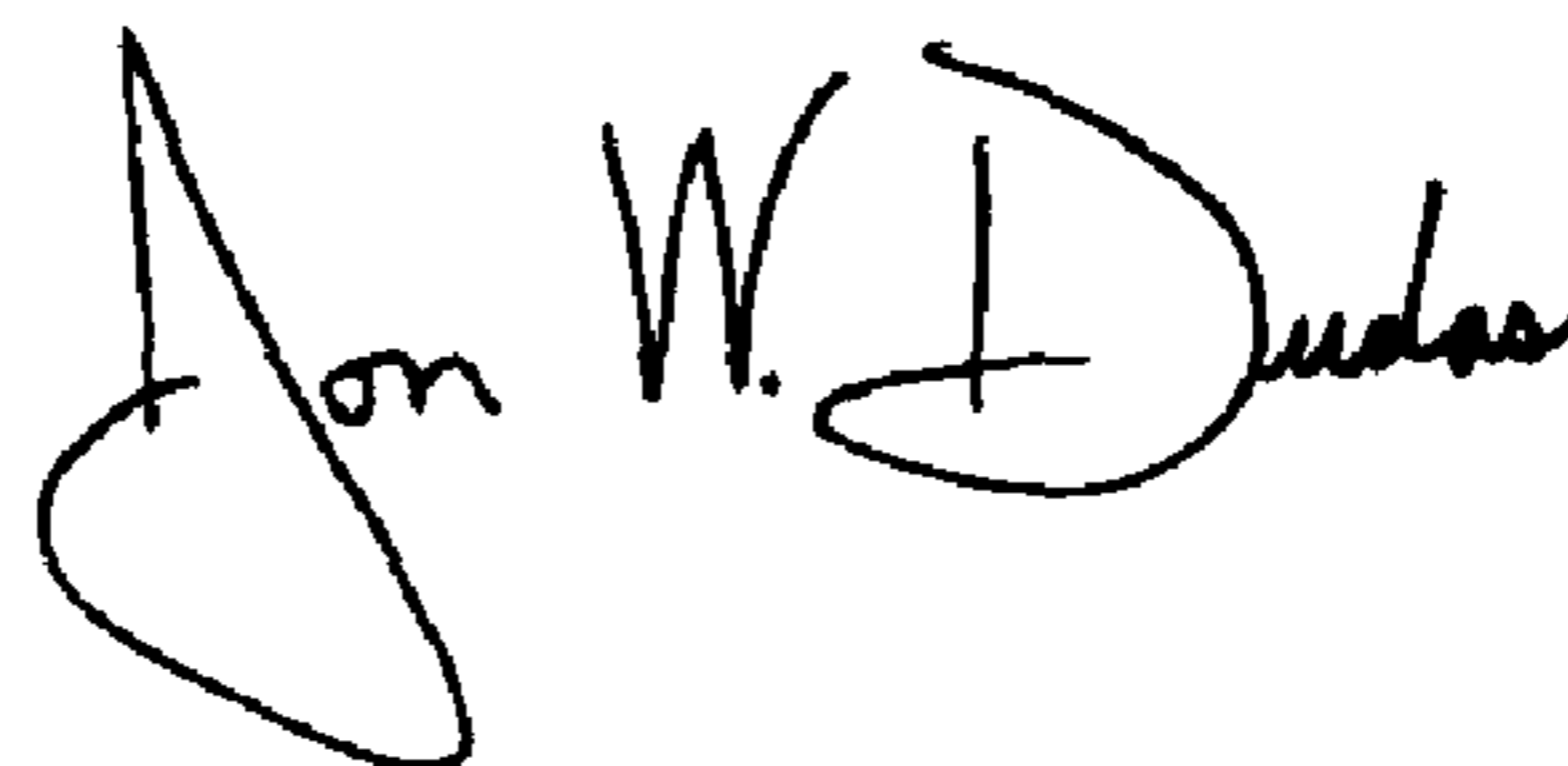
Figure 4, "back" should be -- front --

Figure 5, delete ", the left side elevational view being a mirror image of the right side"

Figure 6, "elevational" should be -- plan --

Signed and Sealed this

Twenty-second Day of June, 2004

A handwritten signature in black ink that reads "Jon W. Dudas". The signature is written in a cursive style with a large, looped initial "J".

JON W. DUDAS

Acting Director of the United States Patent and Trademark Office