



US00D482702S

(12) **United States Design Patent**
Kawaguchi

(10) **Patent No.:** **US D482,702 S**

(45) **Date of Patent:** **** Nov. 25, 2003**

(54) **SEWING MACHINE**

(75) **Inventor:** **Kiyomi Kawaguchi, Tokyo (JP)**

(73) **Assignee:** **Janome Sewing Machine Company Limited, Tokyo (JP)**

(**) **Term:** **14 Years**

(21) **Appl. No.:** **29/175,089**

(22) **Filed:** **Jan. 30, 2003**

(30) **Foreign Application Priority Data**

Aug. 2, 2002 (JP) 2002-020702

(51) **LOC (7) Cl.** **15-06**

(52) **U.S. Cl.** **D15/69**

(58) **Field of Search** D15/66, 69-72;
112/258-261, 217.1-217.4, 255

(56) **References Cited**

U.S. PATENT DOCUMENTS

D307,024 S	*	4/1990	Itoh et al.	D15/69
D309,739 S	*	8/1990	Itoh et al.	D15/69
D321,518 S	*	11/1991	Uchida	D15/69
D321,694 S	*	11/1991	Uchida	D15/69
D338,022 S	*	8/1993	Takada et al.	D15/69
5,471,941 A	*	12/1995	Sakuma	112/255
D372,720 S	*	8/1996	Hattori et al.	D15/69
D392,294 S	*	3/1998	Kato et al.	D15/69

D435,052 S	12/2000	Kuroki	
D440,237 S	4/2001	Kuroki	
D450,332 S	11/2001	Kuroki et al.	
D450,719 S	11/2001	Kuroki et al.	
D450,720 S	11/2001	Kuroki	
D450,721 S	11/2001	Kawaguchi	
D450,722 S	11/2001	Kawaguchi	
D462,368 S	* 9/2002	Kuroki D15/69
D465,793 S	* 11/2002	Takada et al. D15/69

* cited by examiner

Primary Examiner—Mitchell Siegel

(74) *Attorney, Agent, or Firm*—Jacobson Holman PLLC

(57) **CLAIM**

The ornamental design for a sewing machine, as shown and described.

DESCRIPTION

FIG. 1 is a right front perspective view showing my new design for a sewing machine, FIG. 2 is a left front perspective view thereof, FIG. 3 is a front view thereof, FIG. 4 is a rear view thereof, FIG. 5 is a top view thereof, FIG. 6 is a bottom view thereof, FIG. 7 is a left side view thereof; and, FIG. 8 is a right side view thereof.

1 Claim, 8 Drawing Sheets

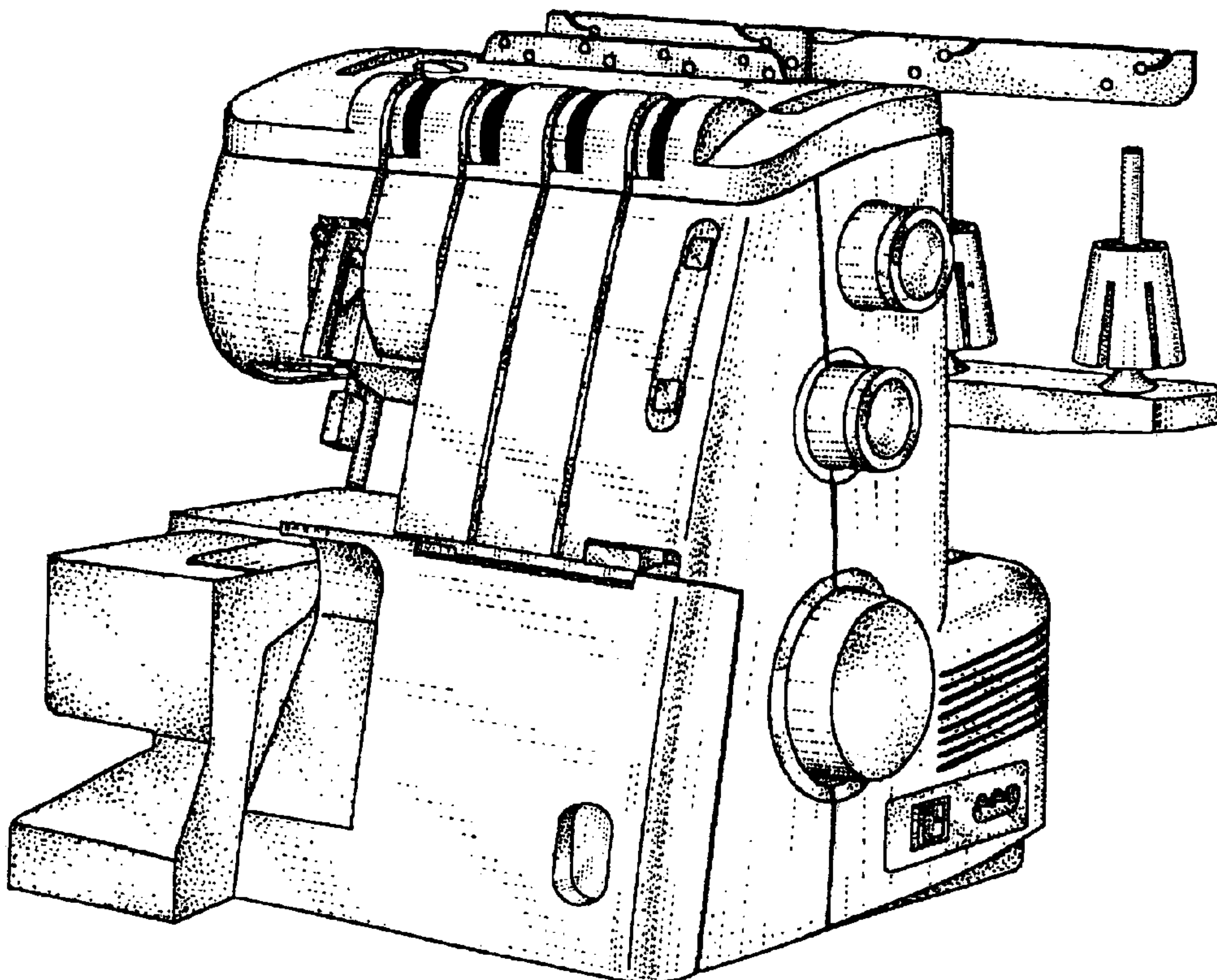


FIG. 1

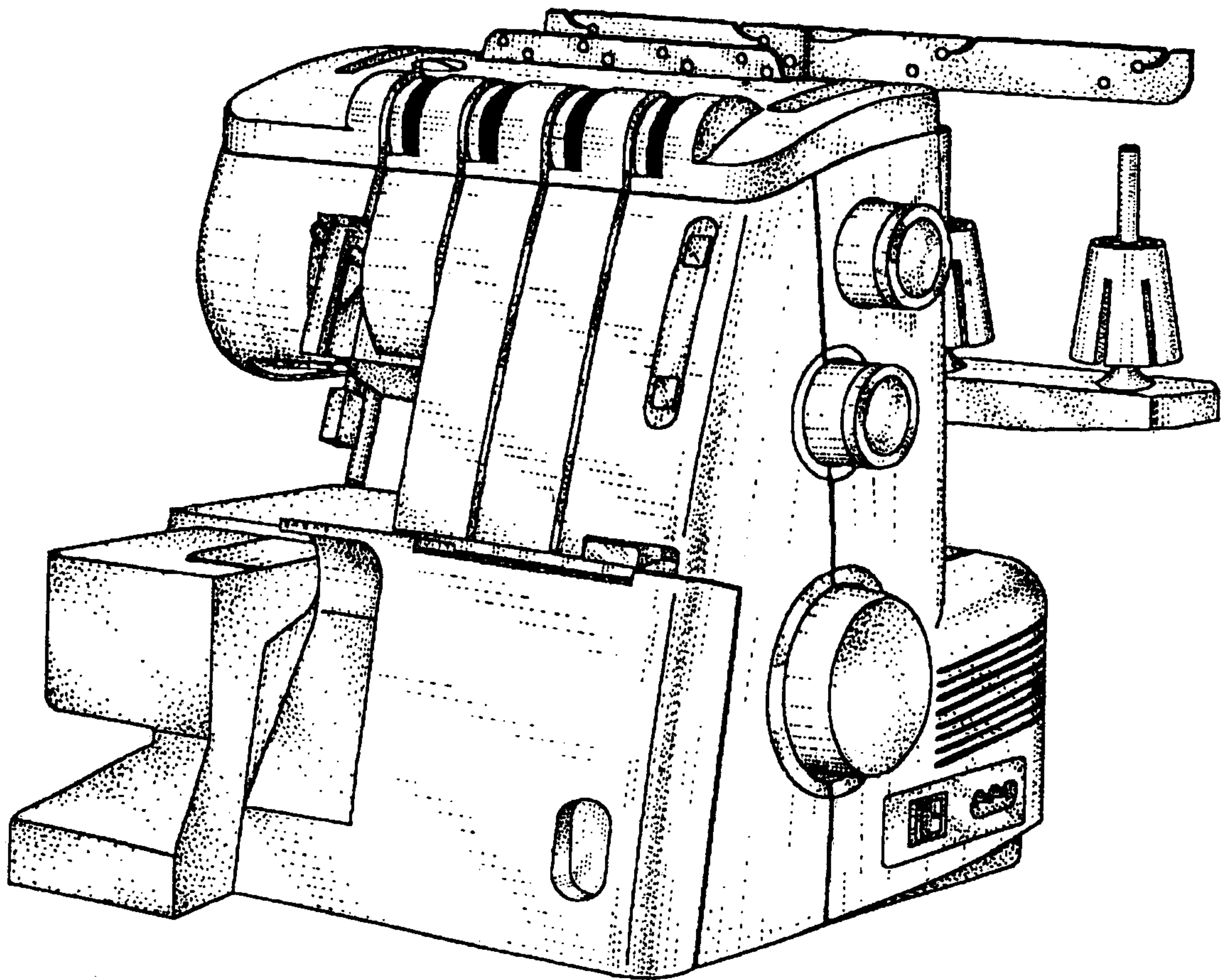


FIG. 2

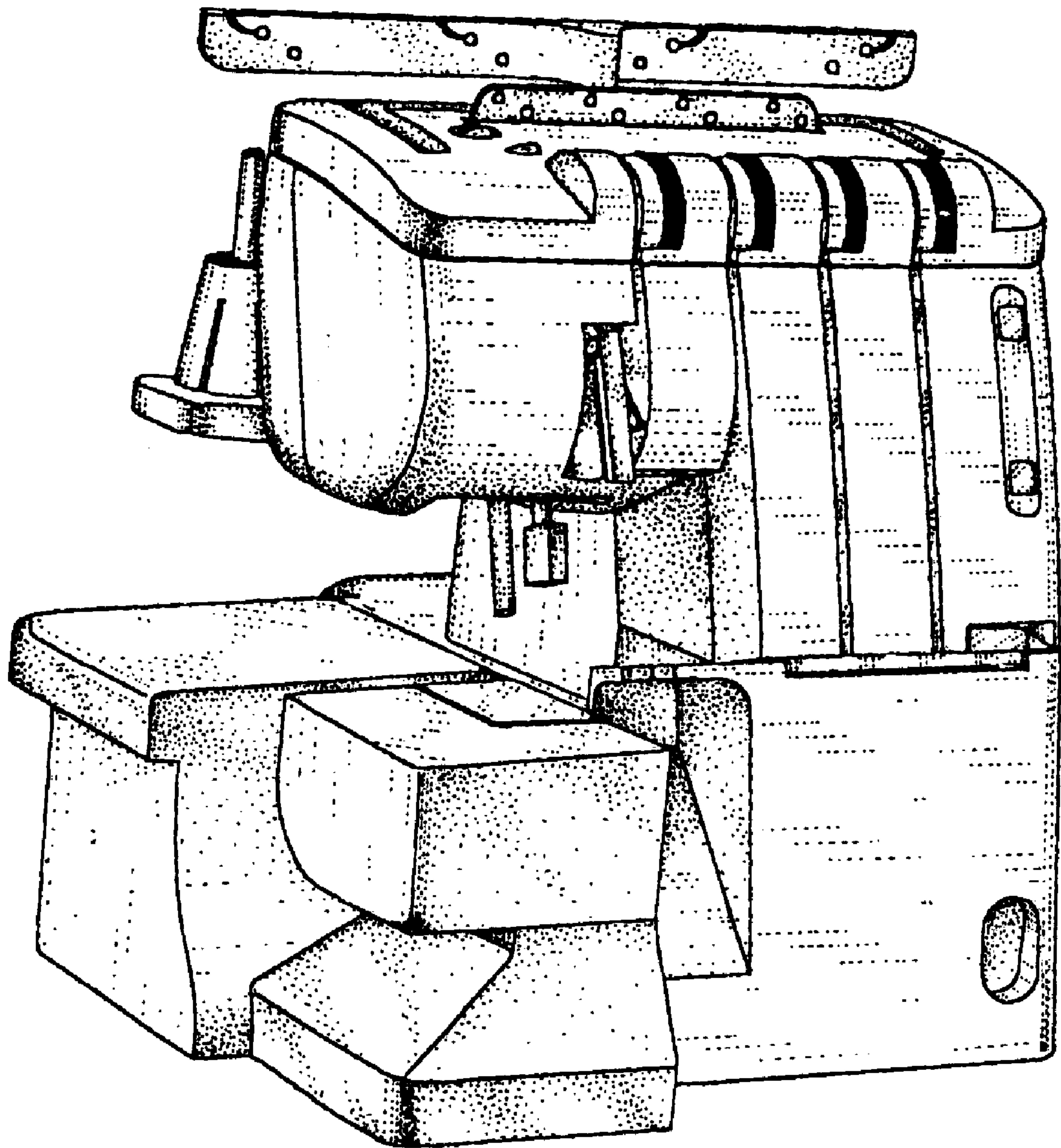


FIG. 3

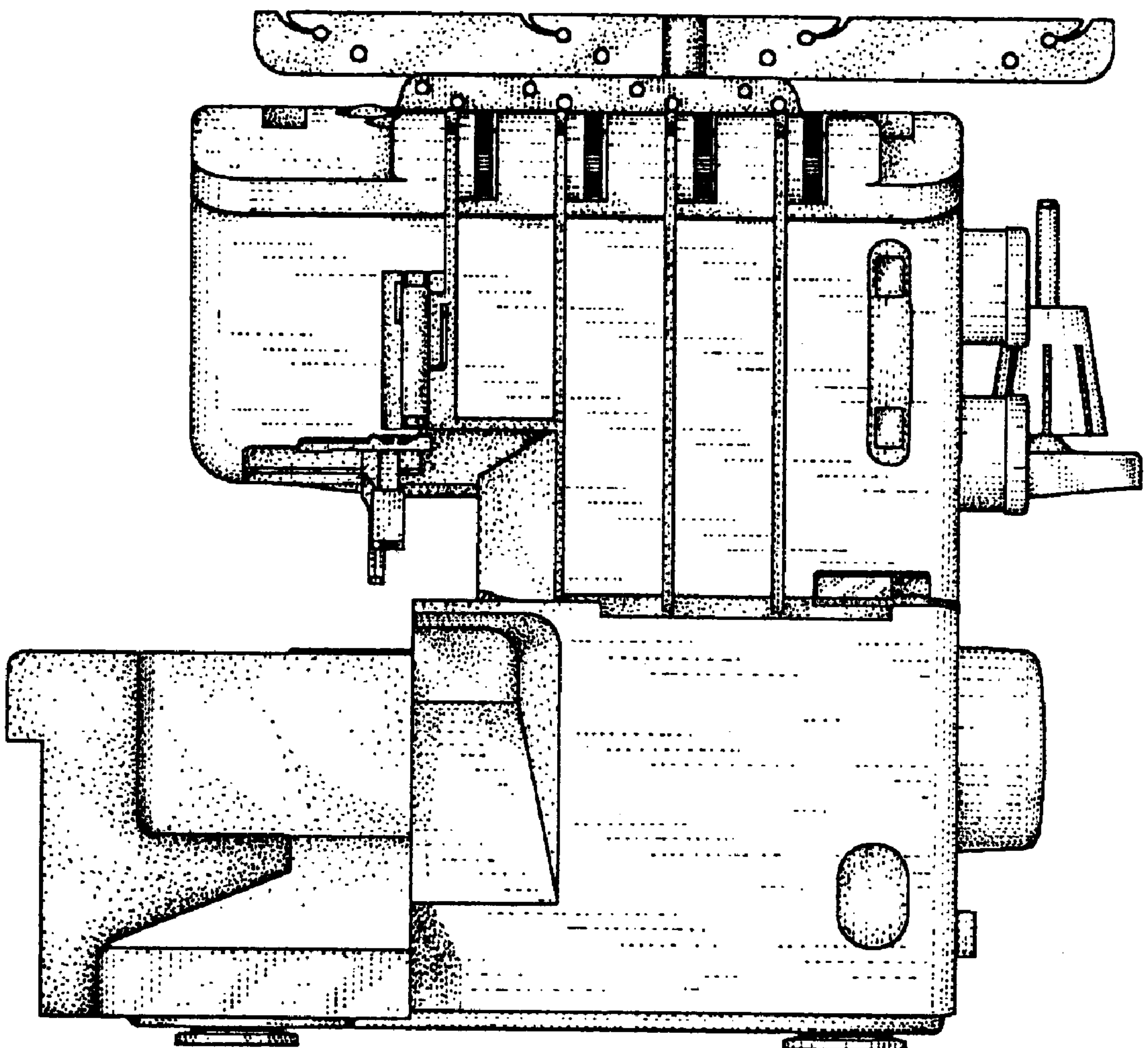


FIG. 4

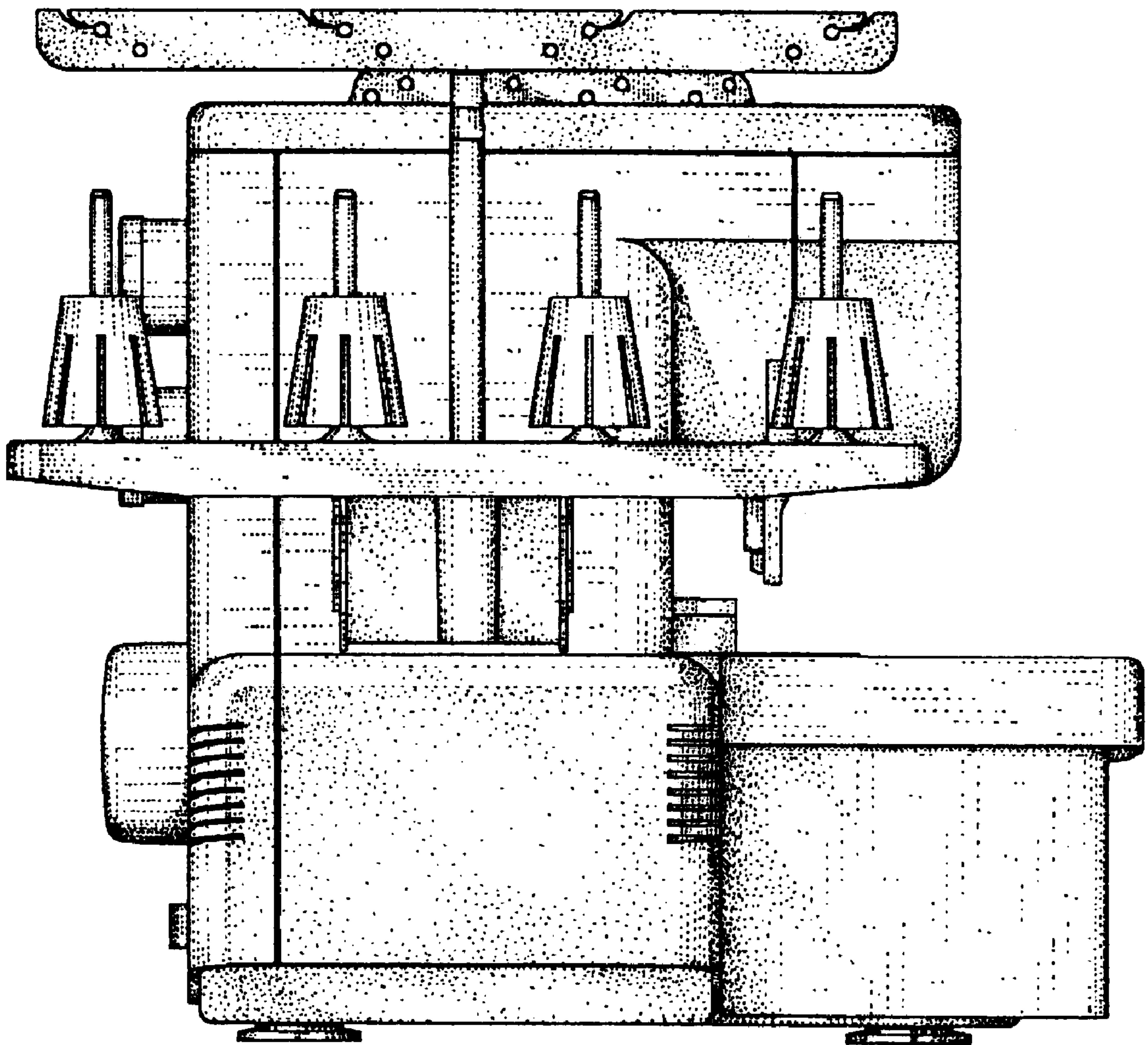


FIG. 5

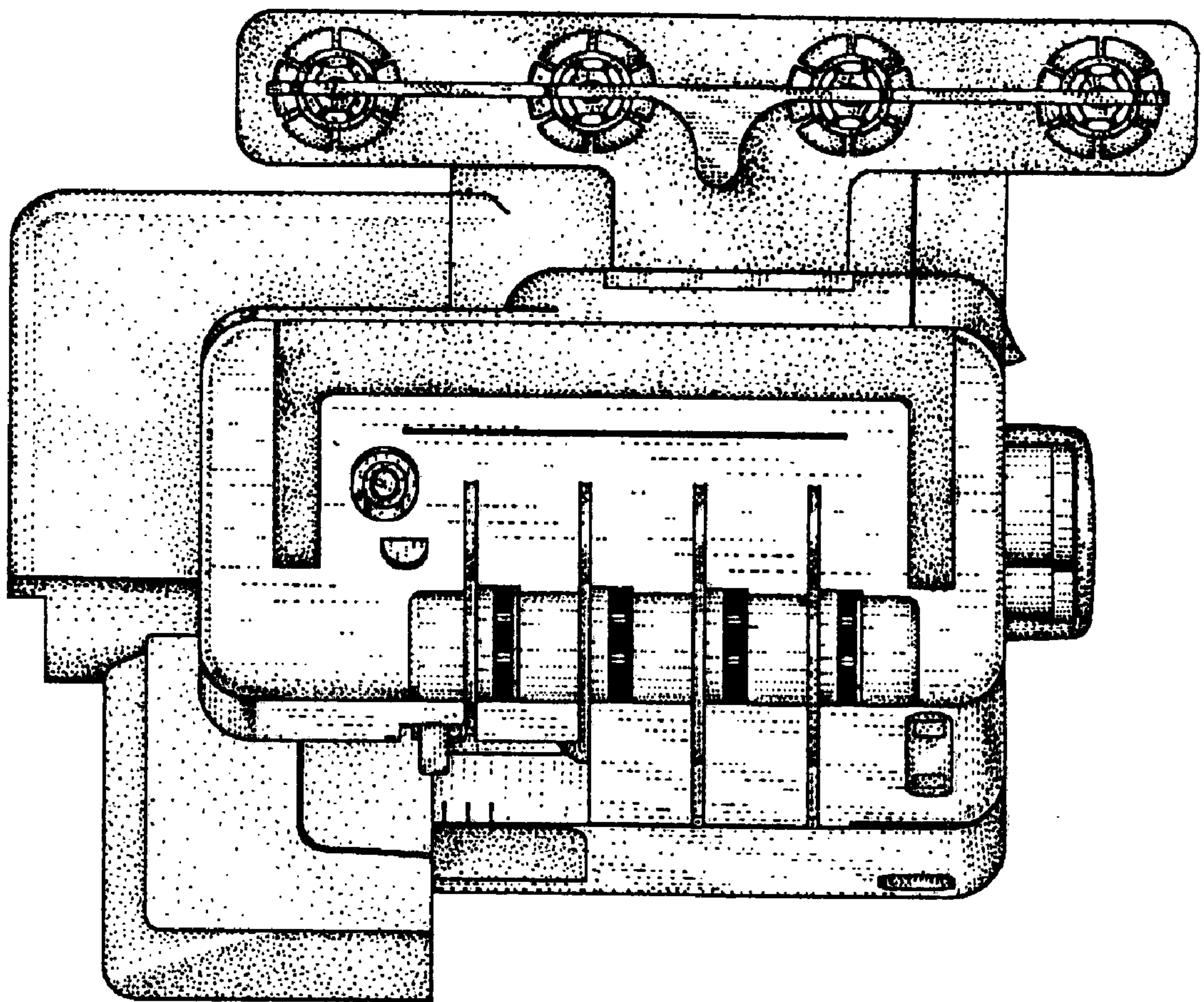


FIG. 6

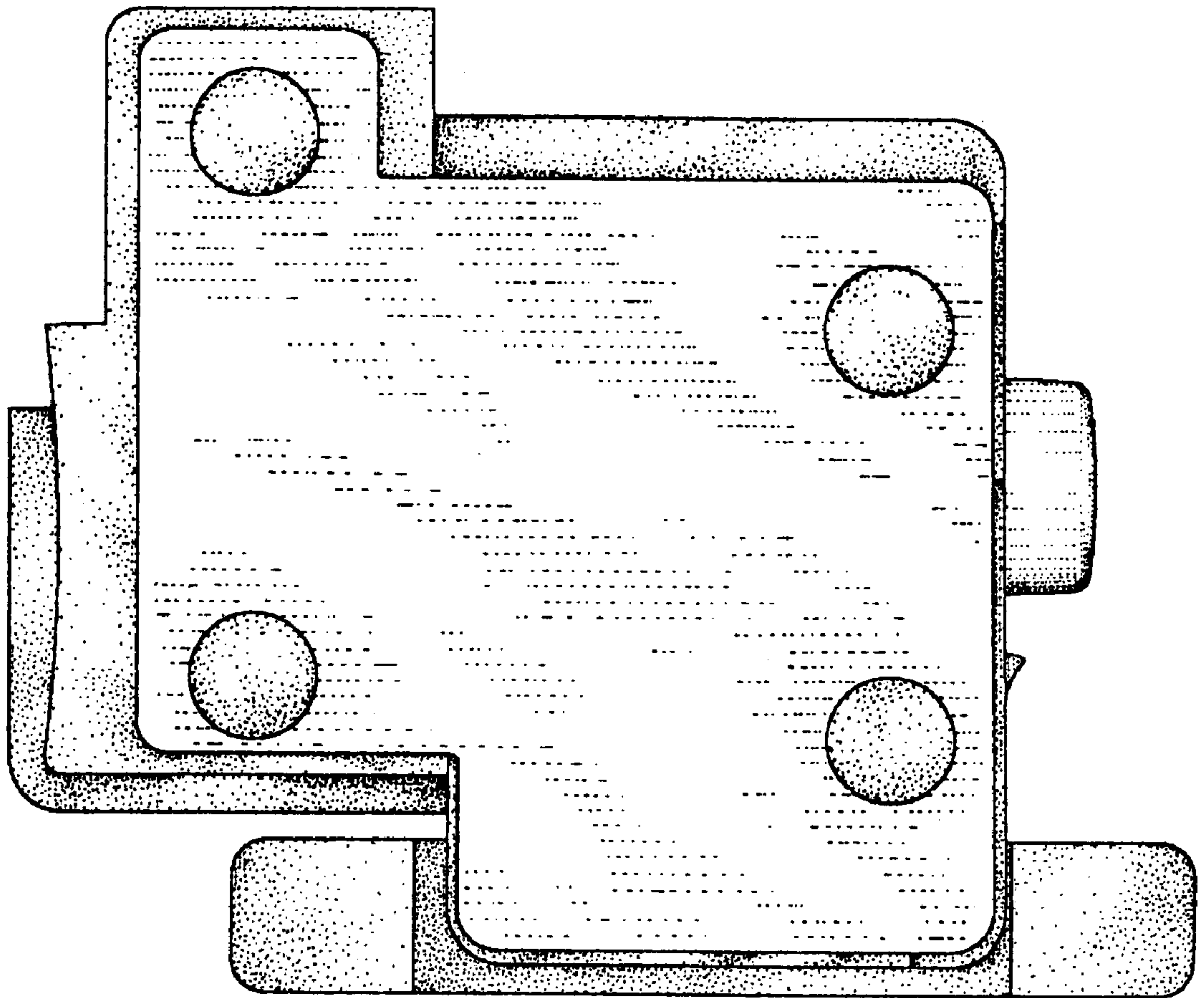


FIG. 7

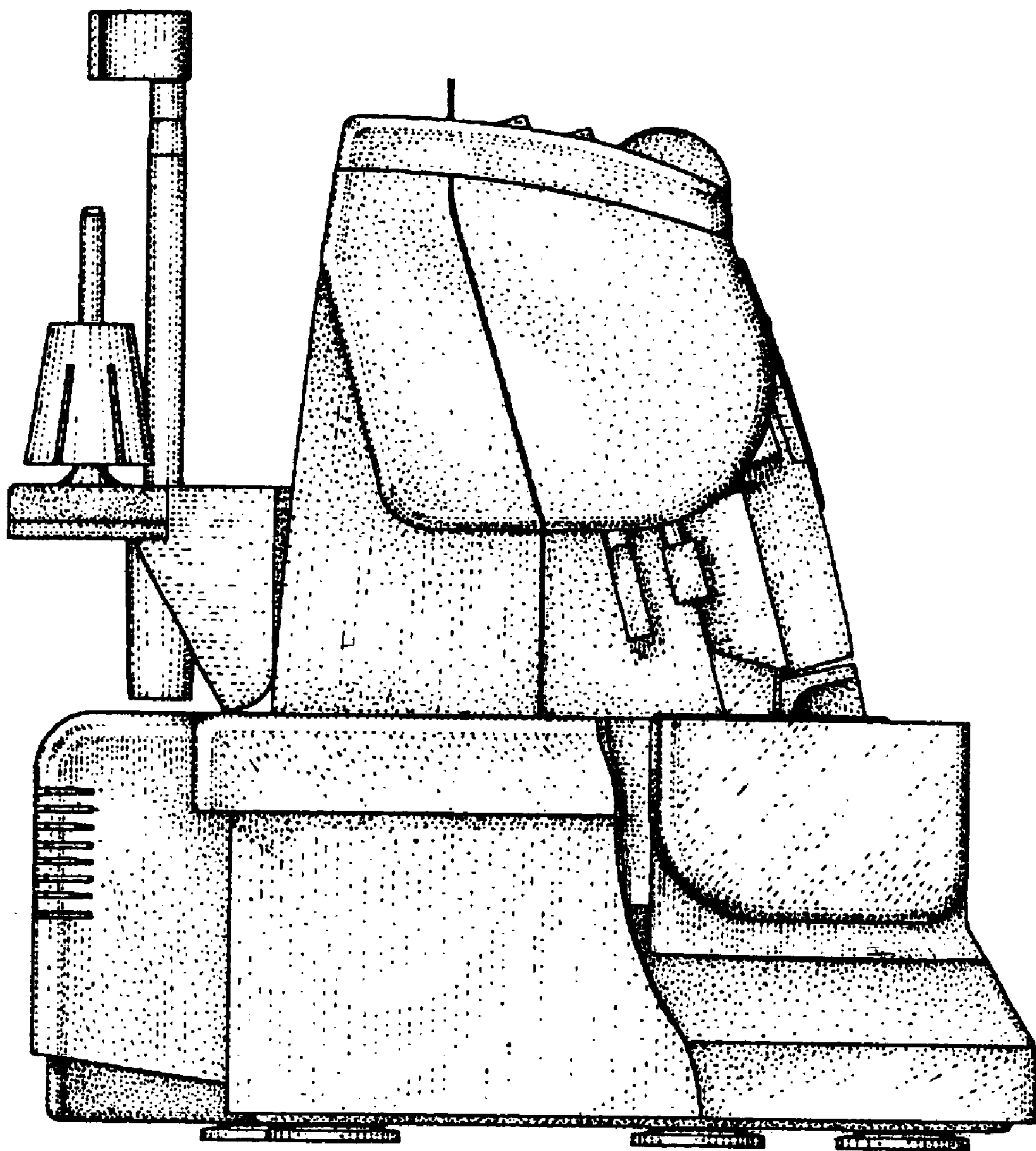


FIG. 8

