



US00D482701S

(12) **United States Design Patent**  
**Bares et al.**

(10) **Patent No.:** **US D482,701 S**

(45) **Date of Patent:** **\*\* Nov. 25, 2003**

(54) **TRACK PROPELLED SMALL LOADER**

(75) Inventors: **Mark F. Bares**, Oakes, ND (US);  
**James H. Page**, Bottineau, ND (US)

(73) Assignee: **Clark Equipment Company**, Woodcliff  
Lake, NJ (US)

(\*\*) Term: **14 Years**

(21) Appl. No.: **29/175,400**

(22) Filed: **Feb. 4, 2003**

**Related U.S. Application Data**

(62) Division of application No. 29/151,028, filed on Nov. 1,  
2001, now Pat. No. Des. 472,904.

(51) **LOC (7) Cl.** ..... **12-09**

(52) **U.S. Cl.** ..... **D15/24**

(58) **Field of Search** ..... D15/22-26, 82;  
180/89.1, 89.12, 89.13, 308, 306, 291;  
414/560, 685, 743

(56) **References Cited**

**U.S. PATENT DOCUMENTS**

1,371,344 A	3/1921	Brackett	
D195,254 S	* 5/1963	Keller	D15/25
D205,485 S	8/1966	Juhl et al.	
3,411,647 A	11/1968	Zimmerman	214/770
D294,032 S	2/1988	Whiffin	D15/25
D317,926 S	7/1991	Lynnes et al.	D15/25
5,064,011 A	11/1991	Ogano et al.	180/9.22
5,212,896 A	5/1993	Hillard et al.	37/86
5,307,880 A	5/1994	Woerner	172/19
D359,497 S	6/1995	Rayner	D15/25
5,470,190 A	11/1995	Bamford et al.	414/686
5,542,814 A	8/1996	Ashcroft et al.	414/786
5,609,464 A	3/1997	Moffitt et al.	414/685
5,647,721 A	7/1997	Rohrbaugh	414/686
D431,574 S	10/2000	Porter	D15/25
D438,218 S	* 2/2001	McIlwraith	D15/25
6,397,967 B1	* 6/2002	McIlwraith	180/308
D463,454 S	* 9/2002	Miller et al.	D15/22

**OTHER PUBLICATIONS**

Dexhoff Equipment Brochure, "entitled the new TIPSKIP  
650", (2 pages), Published before Nov. 1, 2000.

Mertz, Inc. Brochure, entitled "TrackMaster HP 800" (2  
pages), Published before Nov. 1, 2000.

Thomas Equipment Ltd. Brochure, "25G" (Model 25G  
Specifications) (2 pages) Published before Nov. 1, 2000.

Mertz, Inc. Brochure, entitled "BOXER, America's first  
mini-skid steer with hydraulically adjustable track system."  
(2 pages), Published before Nov. 1, 2000.

Maximan Brochure (5 pages), Published before Nov. 1,  
2000.

Maximan Web Pages (2 pages), published before Nov. 1,  
2000.

Attachments for Loader (Bobcat), Published 1996.

Mertz, Inc. Boxer Advertisement, published at least as early  
as Nov. 1, 2000, 3 pages.

Toro Dingo Tract Utility Loaders, TX400 Series Advertise-  
ment, published at least as early as Nov. 1, 2000, 3 pages.

Finn Skid Steer 250, Finn Corporation, published at least as  
early as Nov. 1, 2000, 5 pages.

(List continued on next page.)

*Primary Examiner*—Mitchell Siegel

(74) *Attorney, Agent, or Firm*—Westman, Champlin &  
Kelly, P.A.

(57) **CLAIM**

The ornamental design for a track propelled small loader, as  
shown and described.

**DESCRIPTION**

FIG. 1 is a front perspective view of a track propelled small  
loader embodying our new design;

FIG. 2 is a top plan view thereof;

FIG. 3 is a front elevational view thereof;

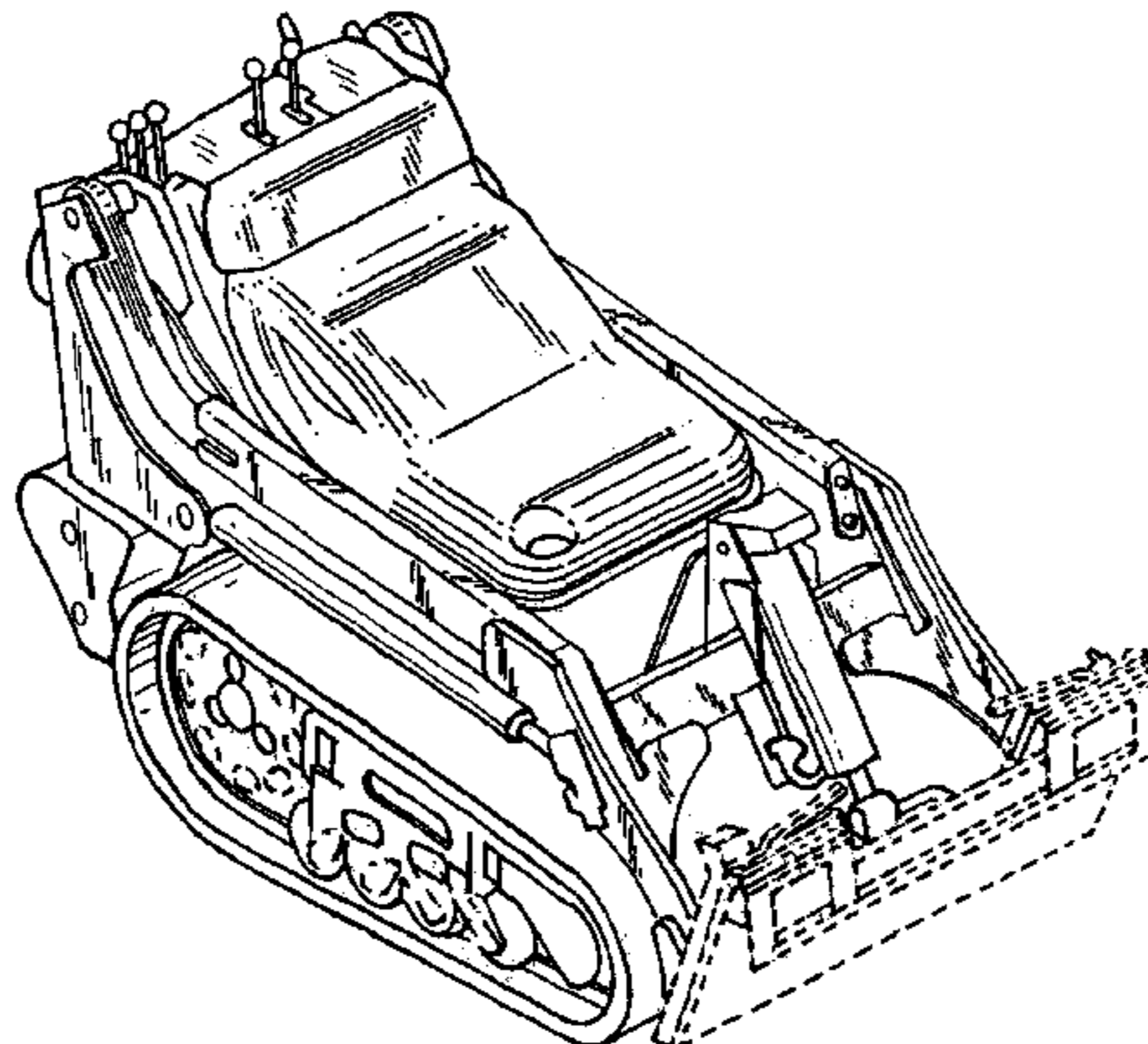
FIG. 4 is a rear elevational view of thereof;

FIG. 5 is a left side elevational view thereof;

FIG. 6 is a right side elevational view thereof; and,

FIG. 7 is a bottom plan view thereof.

**1 Claim, 6 Drawing Sheets**



**OTHER PUBLICATIONS**

Publications by Ramrod Equipment, Taskmaster Loaders, showing models 550, 750, 900, 910 and 944 with attachment pages, a total of 11 pages. Published at least as early as Nov. 1, 2000.

Gravely Skid Steer Loader information, published at least as early as Nov. 1, 2000, 7 pages.  
Brochure on TORO DINGO "So What's on This Weekend's Agenda?" published prior to Nov. 1, 2000.

\* cited by examiner

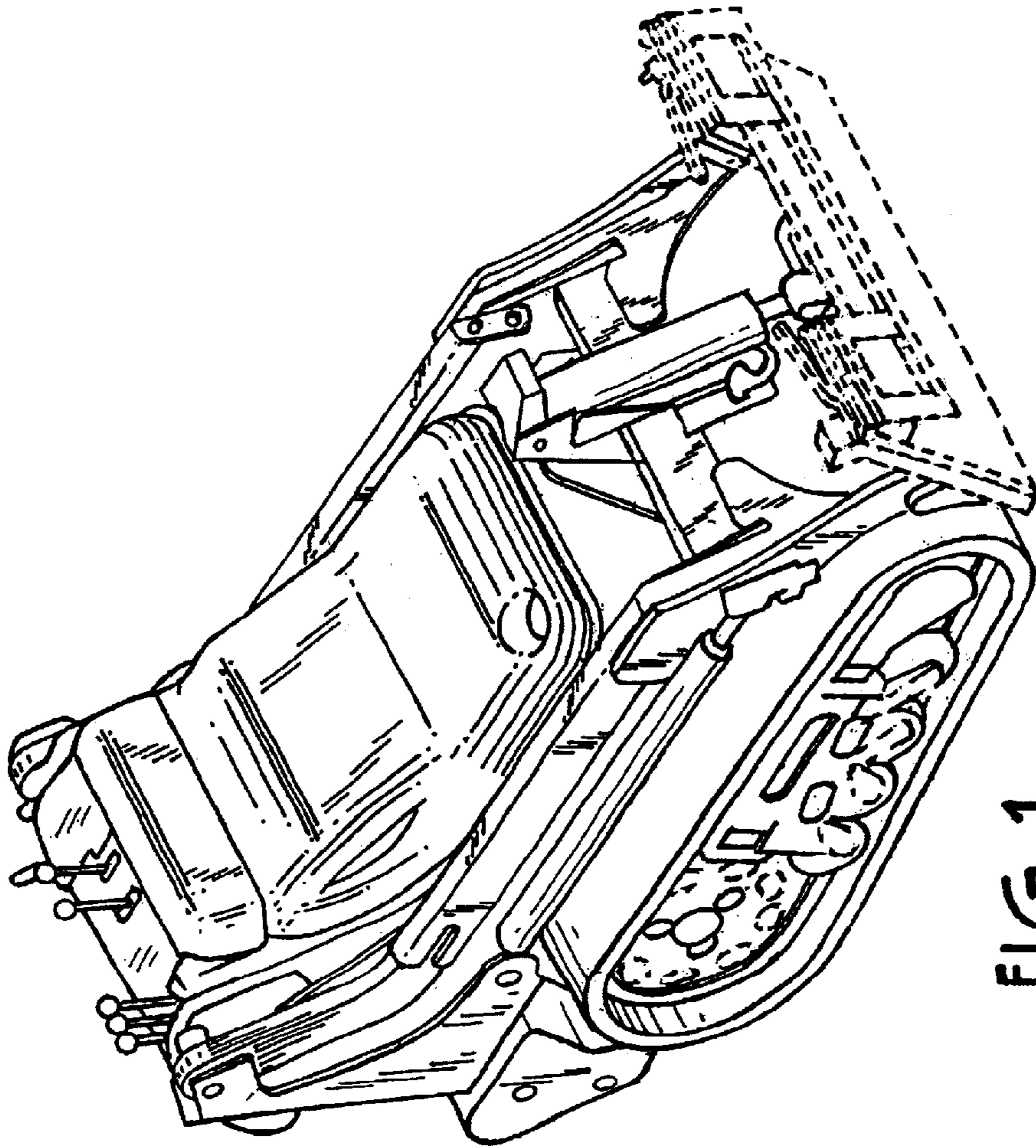


FIG. 1

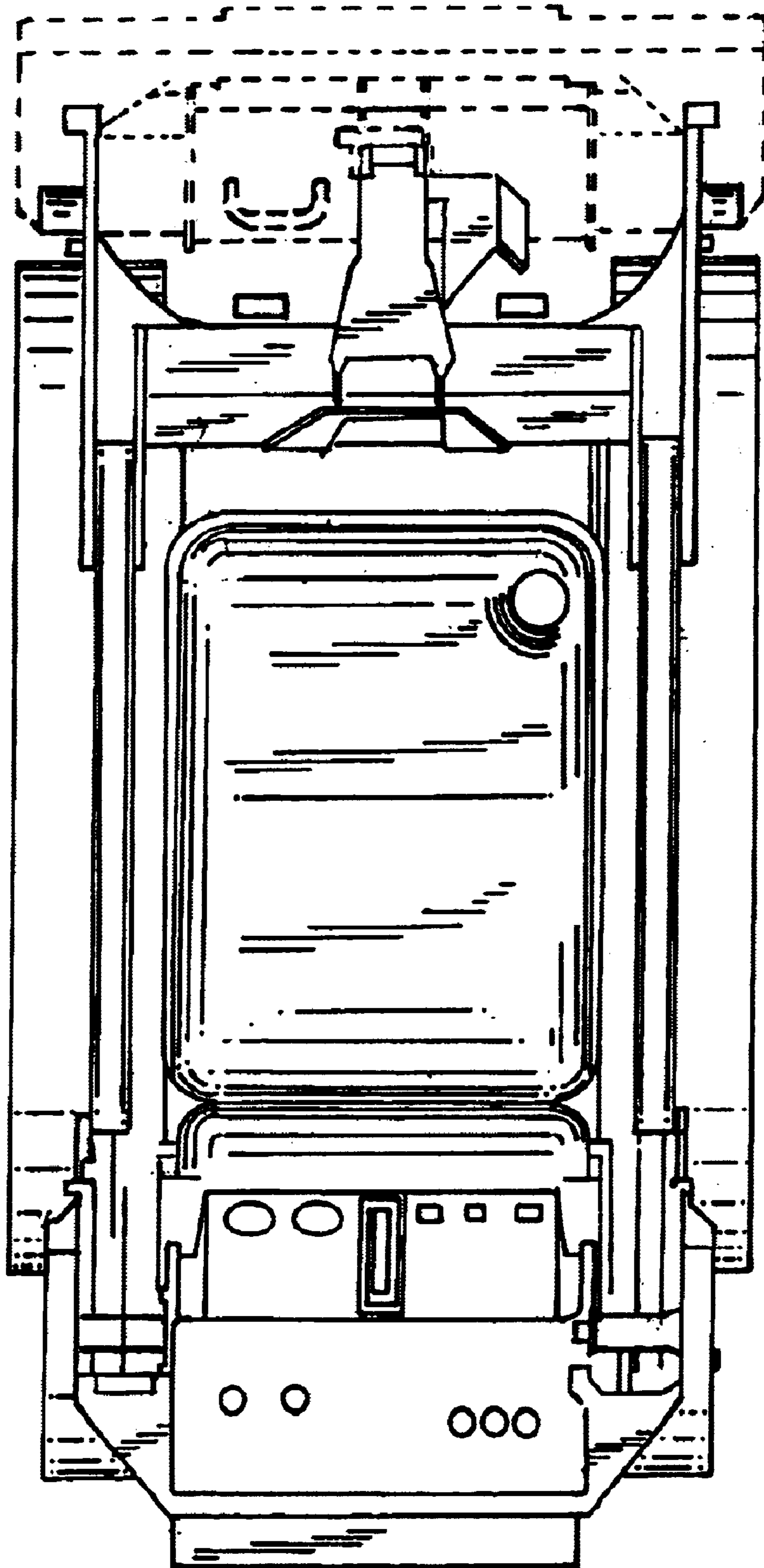


FIG. 2

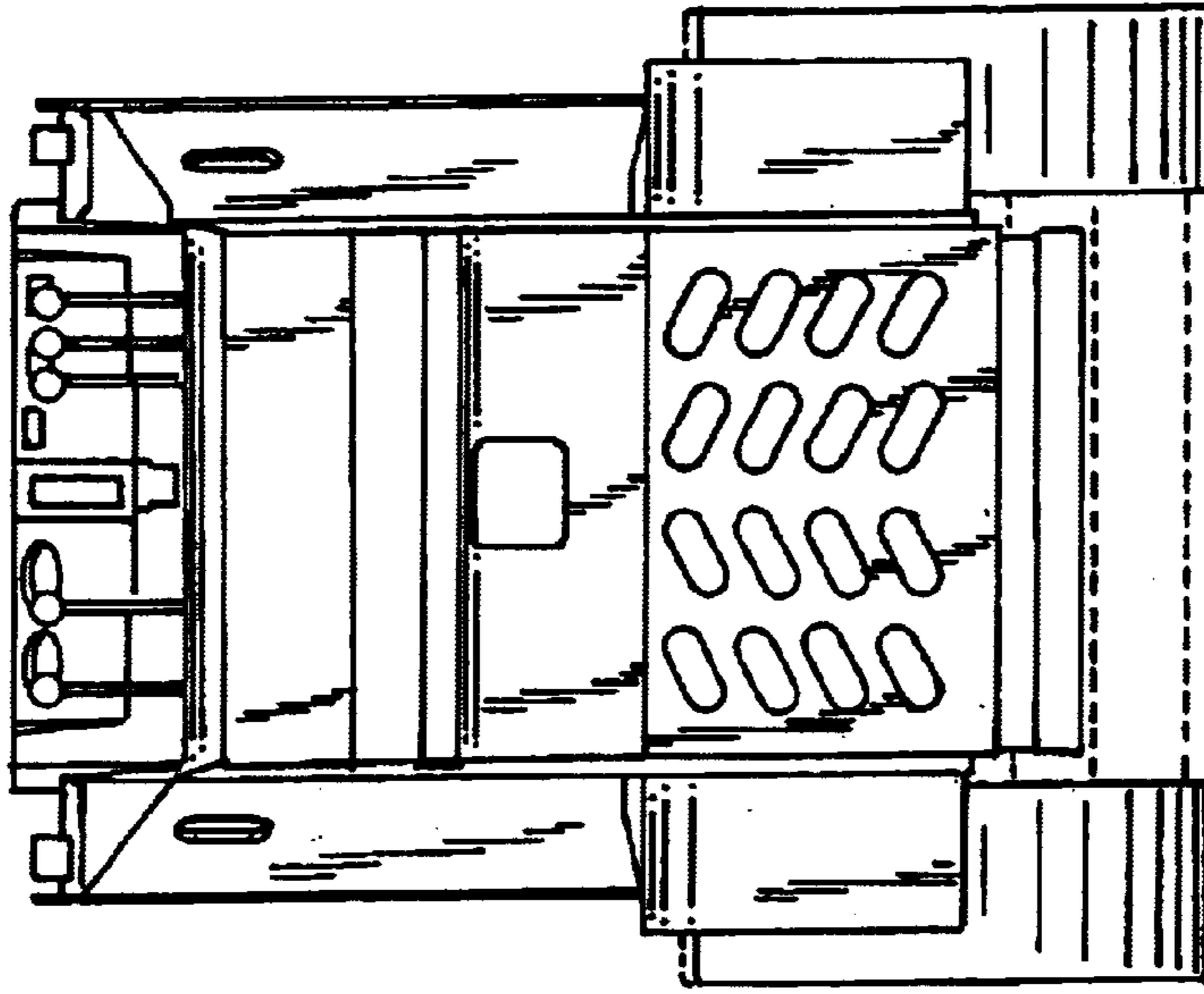


FIG. 4

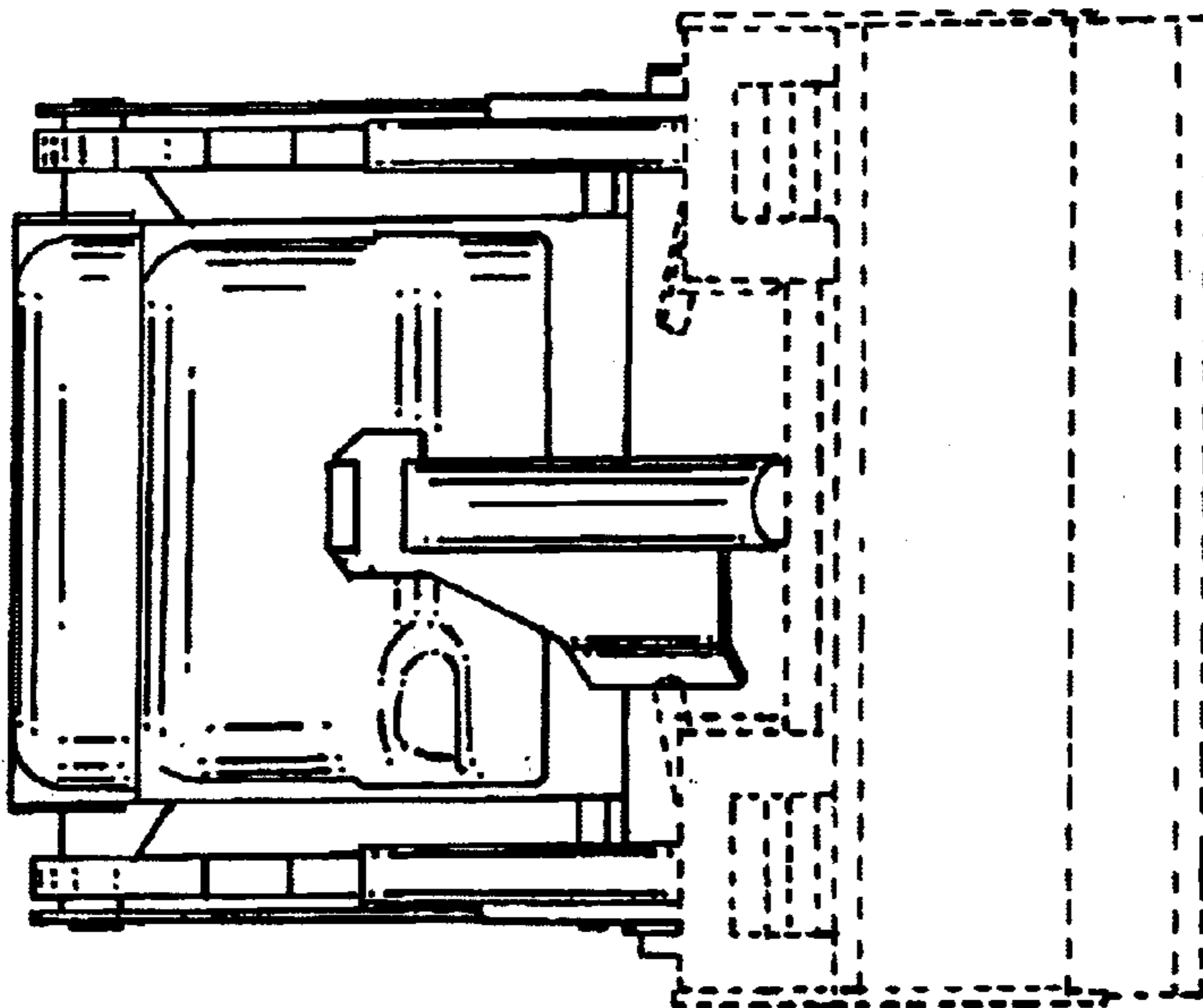


FIG. 3

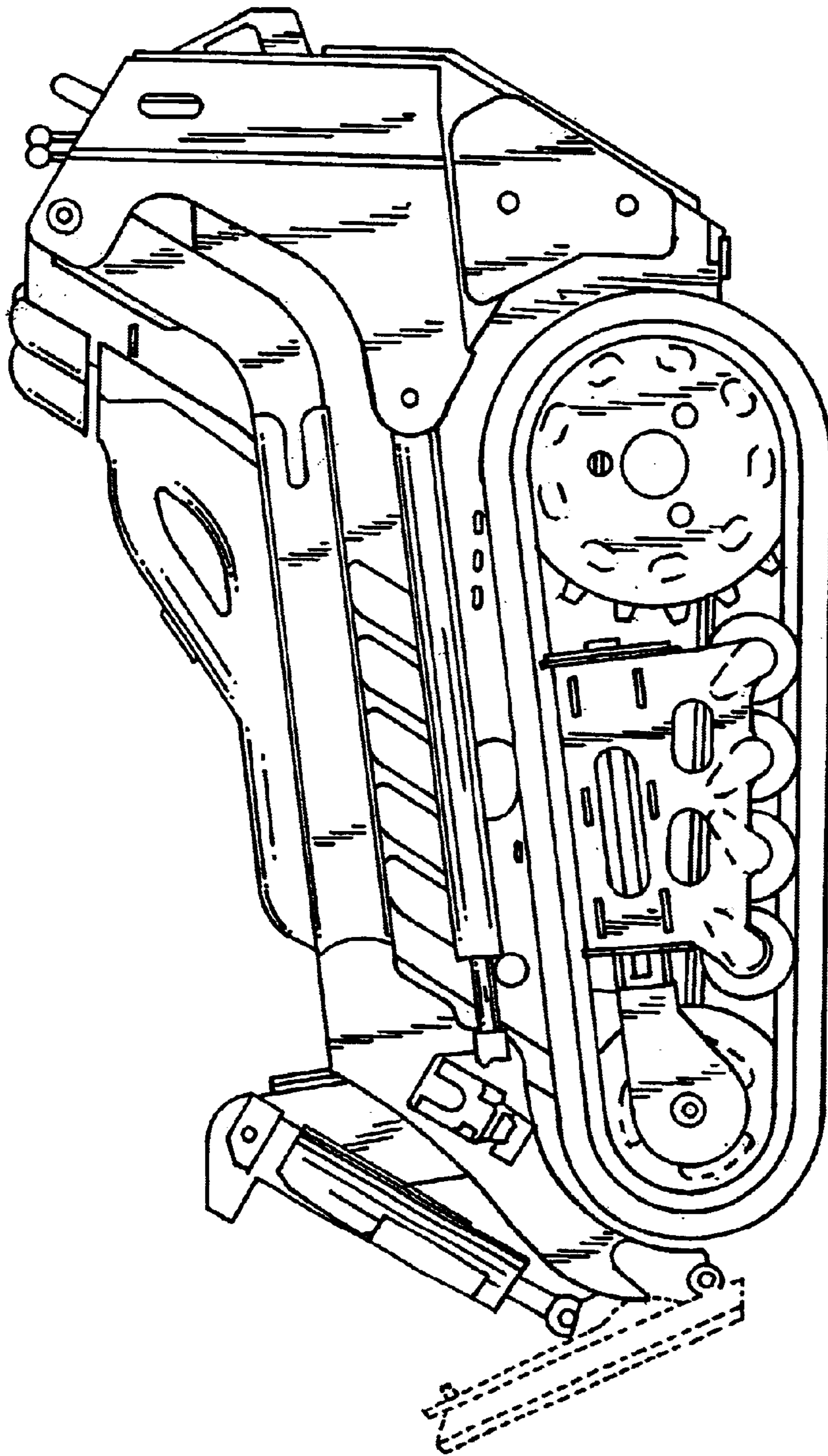


FIG. 5

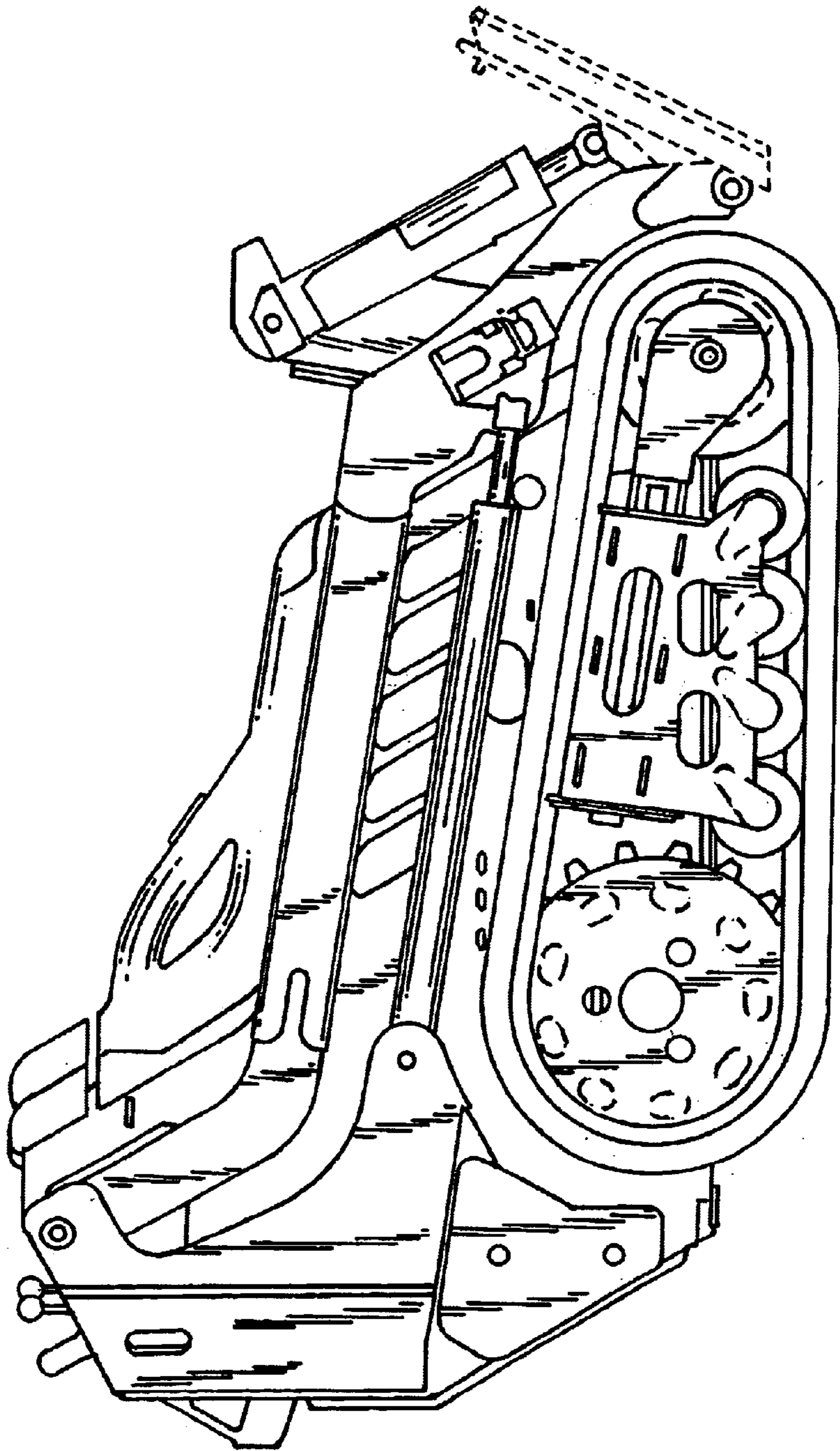


FIG. 6

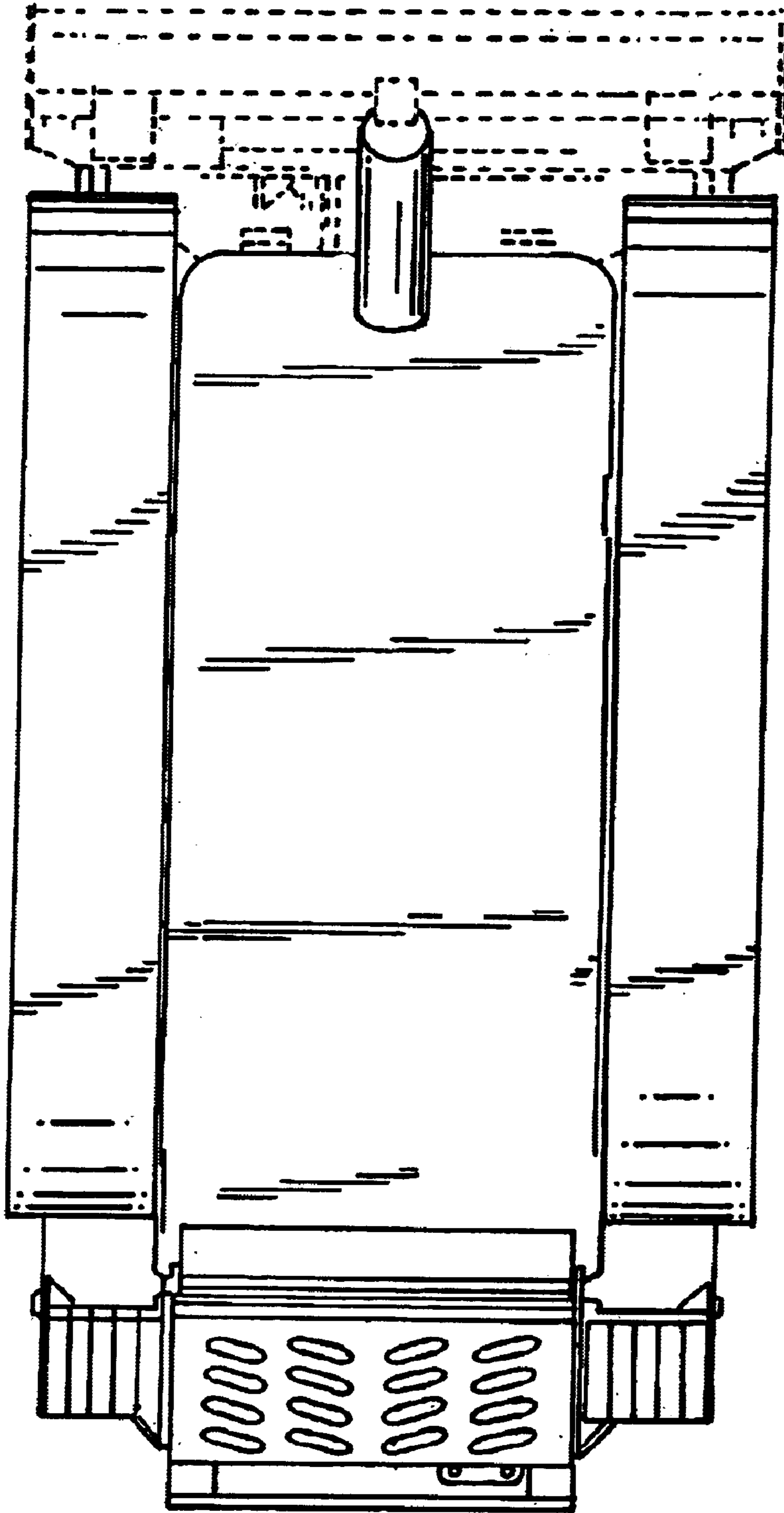


FIG. 7



UNITED STATES PATENT AND TRADEMARK OFFICE  
**CERTIFICATE OF CORRECTION**

PATENT NO. : Des. 482,701 S  
DATED : November 25, 2003  
INVENTOR(S) : Mark F. Bares and James H. Page

Page 1 of 1

It is certified that error appears in the above-identified patent and that said Letters Patent is hereby corrected as shown below:

Title page.

Item [57], **DESCRIPTION**,

Fig. 7, after the word "thereof", insert -- ; the dotted line representations are for illustrative purposes only and form no part of the claimed design --.

Signed and Sealed this

Twentieth Day of July, 2004

A handwritten signature in black ink that reads "Jon W. Dudas". The signature is written in a cursive style with a large, looped initial "J".

---

JON W. DUDAS  
*Acting Director of the United States Patent and Trademark Office*