



US00D482700S

(12) **United States Design Patent**
Lancaster

(10) **Patent No.:** **US D482,700 S**

(45) **Date of Patent:** **** Nov. 25, 2003**

(54) **LAWN MOWER BLADE**

D357,691 S * 4/1995 Bryant D15/17
D449,054 S * 10/2001 Neuerburg D15/17

(76) Inventor: **Wilburn Boland Lancaster**, 1495
Hwy. 15 South, Woodland, MS (US)
39776

* cited by examiner

Primary Examiner—Mitchell Siegel

(**) Term: **14 Years**

(57) **CLAIM**

(21) Appl. No.: **29/157,321**

The ornamental design for a lawn mower blade, as shown and described.

(22) Filed: **May 8, 2002**

DESCRIPTION

(51) **LOC (7) Cl.** **15-03**

(52) **U.S. Cl.** **D15/17**

(58) **Field of Search** D15/10, 11, 17,
D15/32; 30/276, 347, 390; 56/255, 289,
295, 17.5

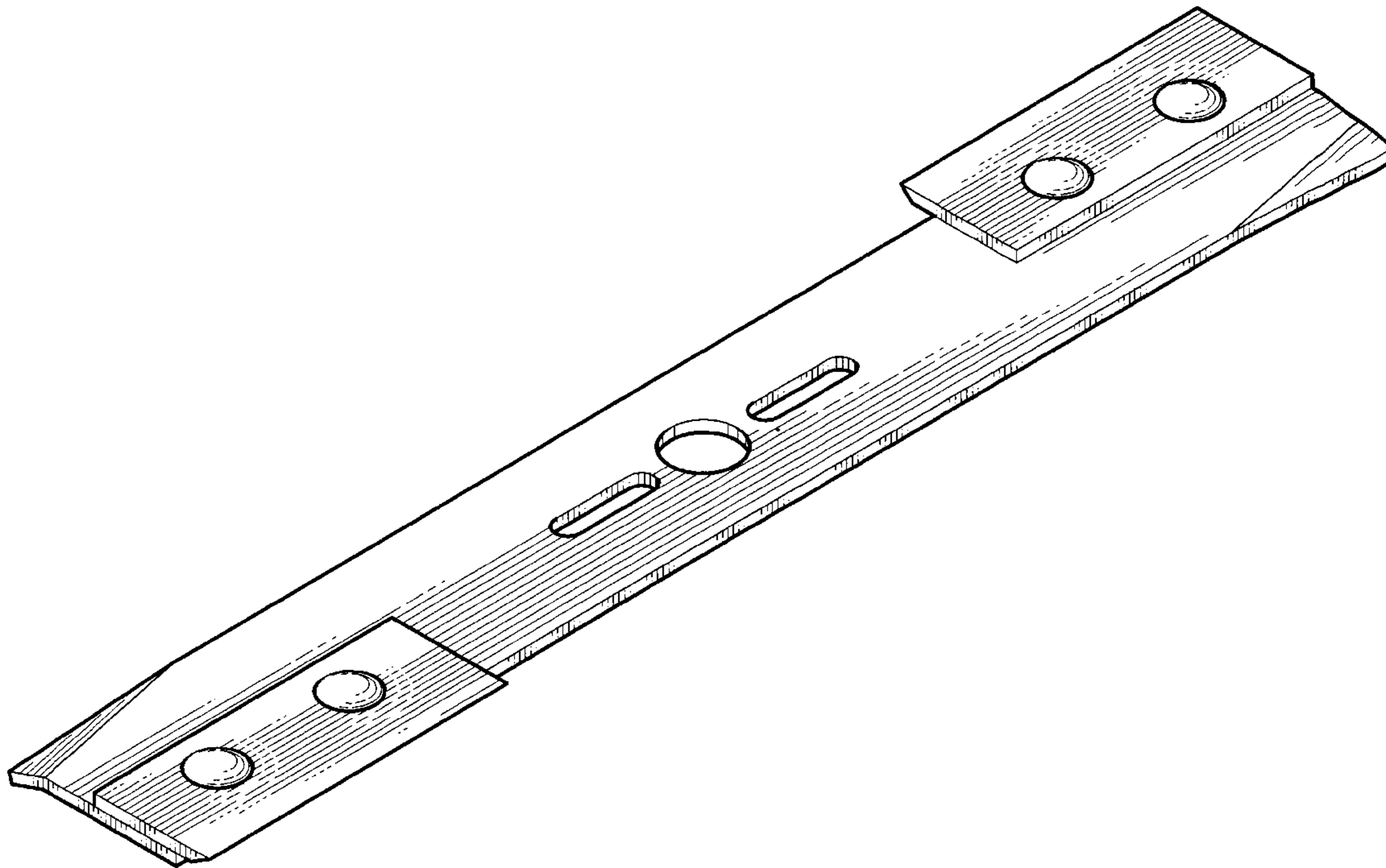
FIG. 1 is a perspective view of a lawn mower blade showing my new design;
FIG. 2 is a top plan view thereof;
FIG. 3 is a bottom plan view thereof;
FIG. 4 is a side elevation view thereof;
FIG. 5 is an opposite side elevation view thereof;
FIG. 6 is an end view thereof; and,
FIG. 7 is an opposite end view thereof.

(56) **References Cited**

U.S. PATENT DOCUMENTS

D299,348 S * 1/1989 Nja D15/11
5,019,113 A * 5/1991 Burnell 56/295

1 Claim, 3 Drawing Sheets



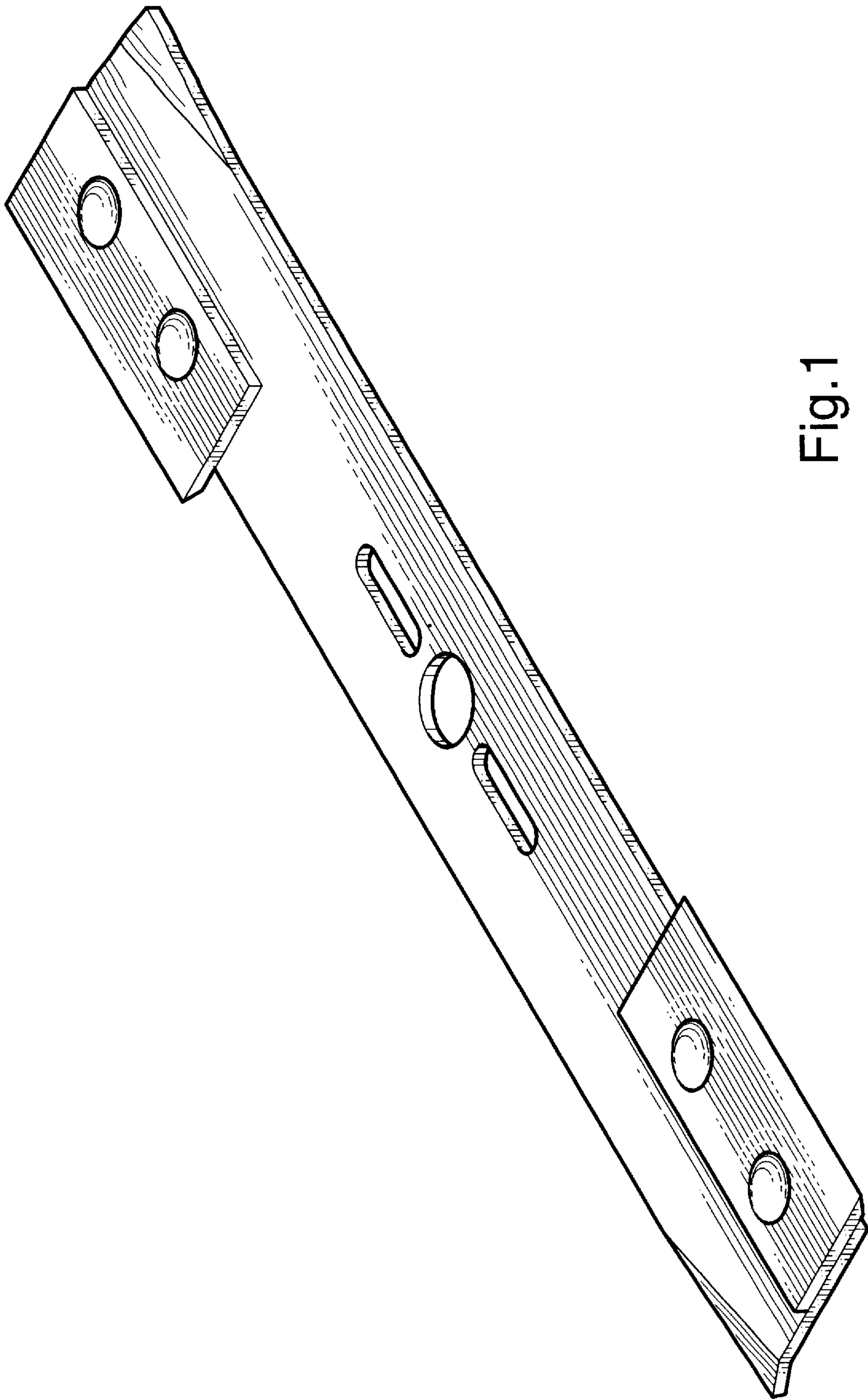


Fig. 1

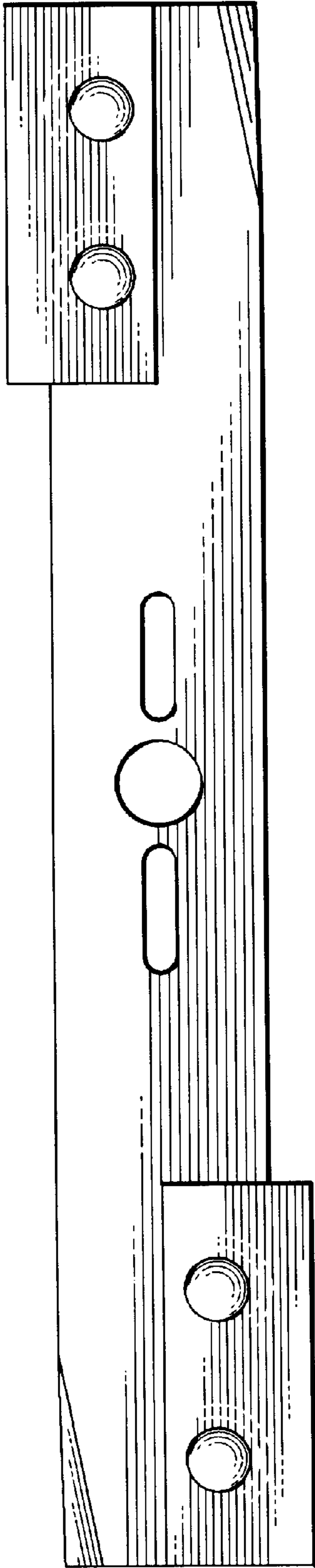


Fig. 2

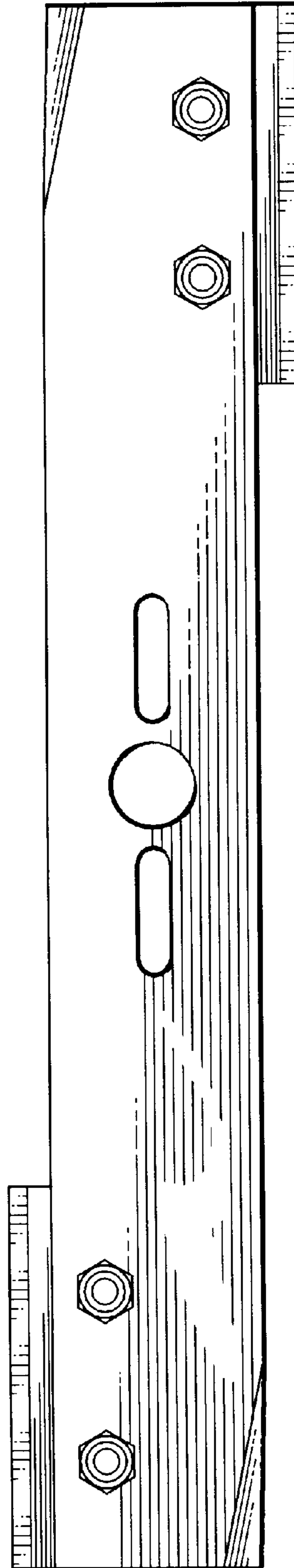


Fig. 3

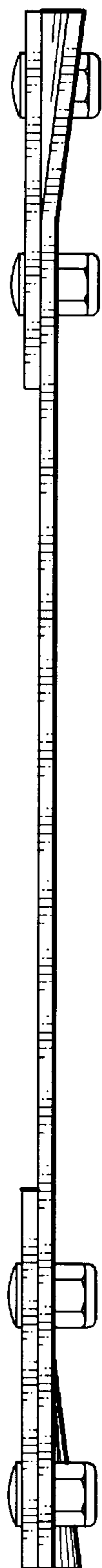


Fig. 4

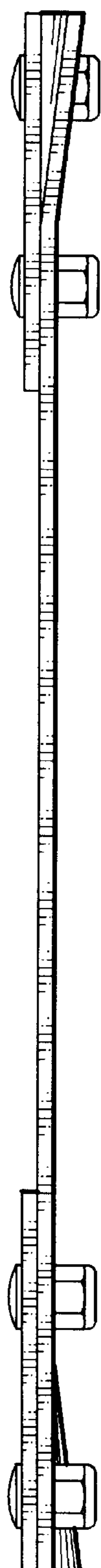


Fig. 5

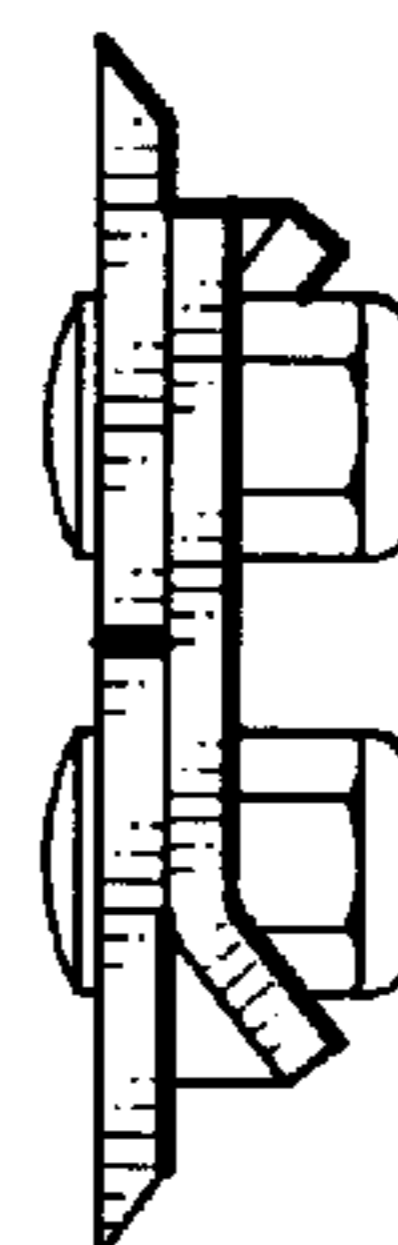


Fig. 7

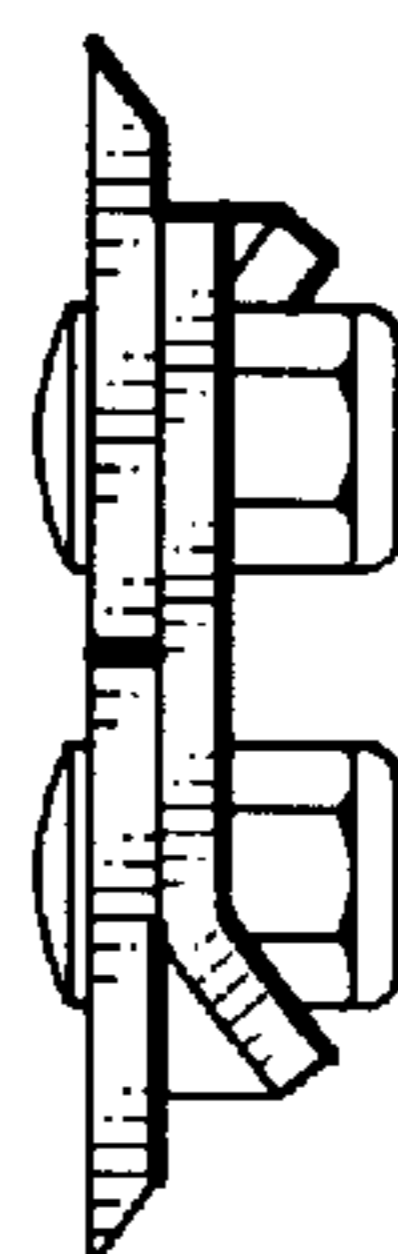


Fig. 6