



US00D482699S

(12) **United States Design Patent**
Graf et al.

(10) **Patent No.:** **US D482,699 S**

(45) **Date of Patent:** **** Nov. 25, 2003**

(54) **SEWAGE PUMP**

(75) Inventors: **James D. Graf**, Guilford, IN (US);
Joseph K. Mauro, Erlanger, KY (US);
Kenneth P. Frey, Cincinnati, OH (US)

(73) Assignee: **Campbell Hausfeld/Scott Fetzer Company**, Harrison, OH (US)

(**) Term: **14 Years**

(21) Appl. No.: **29/174,898**

(22) Filed: **Jan. 27, 2003**

(51) **LOC (7) Cl.** **15-02**

(52) **U.S. Cl.** **D15/7**

(58) **Field of Search** D15/7-9; 417/38,
417/40, 234, 424, 356; 415/215.1

(56) **References Cited**

PUBLICATIONS

Blue Angel Pumps Model CSE40T, 4/10 Sewage Pump—
From “blueangelpumps.com” Dated 2002.*

Blue Angel Pumps web page, dated 2002, showing a prior
art pump at <http://www.blueangelpumps.com/products/product.php?model=SEF40M>.

Blue Angel Pumps web page, dated 2002, showing a prior
art pump at <http://www.blueangelpumps.com/products/product.php?model=SEF40T>.

Blue Angel Pumps web page, dated 2002, showing a prior
art pump at <http://www.blueangelpumps.com/products/product.php?model=SEF40V>.

Drawing of a Prior Art Sewage Pump in Applicant’s Pos-
session.

* cited by examiner

Primary Examiner—Ralf Seifert

(74) *Attorney, Agent, or Firm*—Jones Day

(57) **CLAIM**

We claim the ornamental design for a sewage pump, as
shown and described.

DESCRIPTION

FIG. 1 is a perspective view of a sewage pump embodying
the ornamental design of the present invention;

FIG. 2 is front view of the sewage pump;

FIG. 3 is rear view of the sewage pump;

FIG. 4 is side view of the sewage pump;

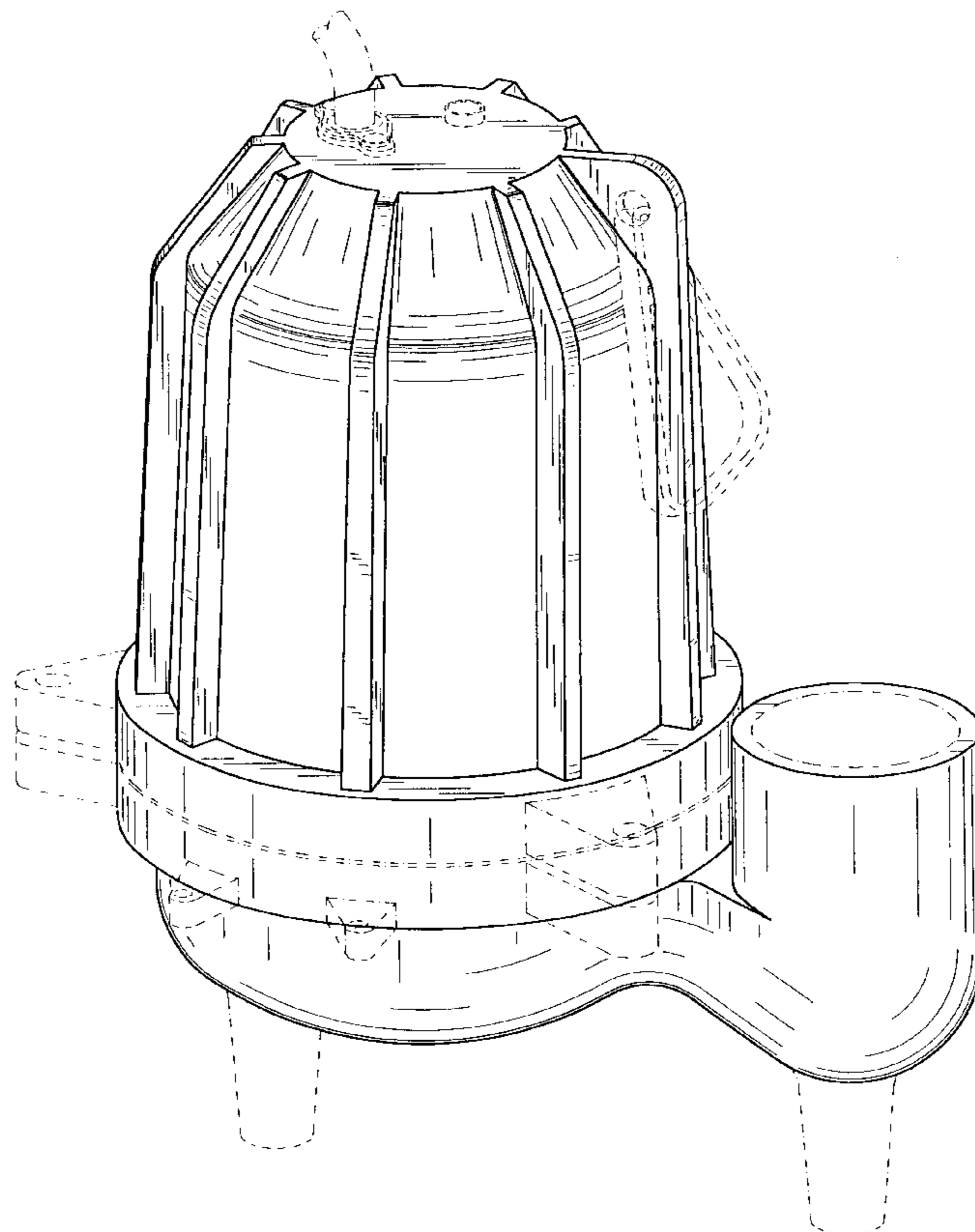
FIG. 5 is an opposite side view of the sewage pump;

FIG. 6 is a top view of the sewage pump; and,

FIG. 7 is a bottom view of the sewage pump.

The broken line showings of FIGS. 1-7 are for illustrative
purposes only and form no part of the claimed design.

1 Claim, 6 Drawing Sheets



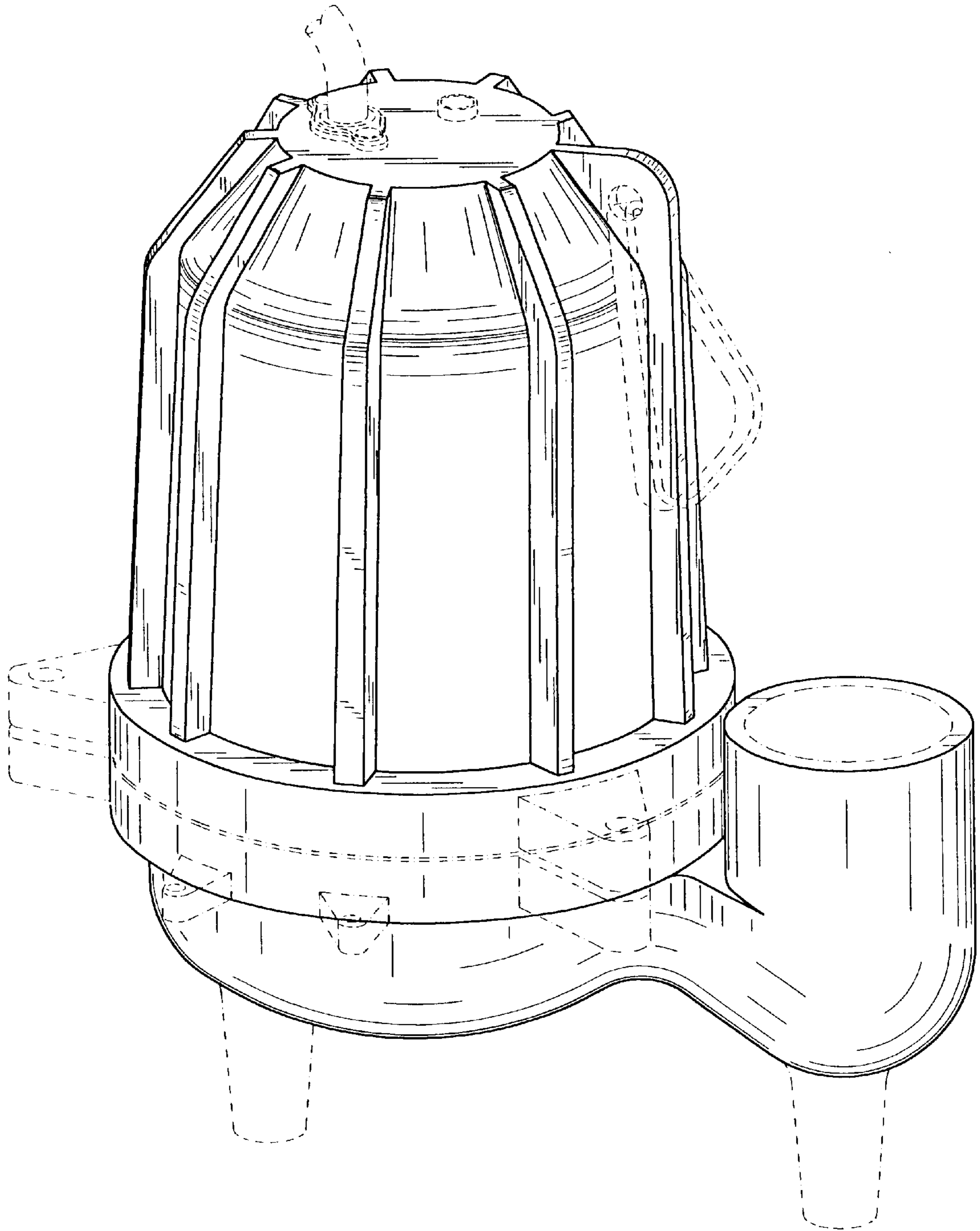


Fig.1

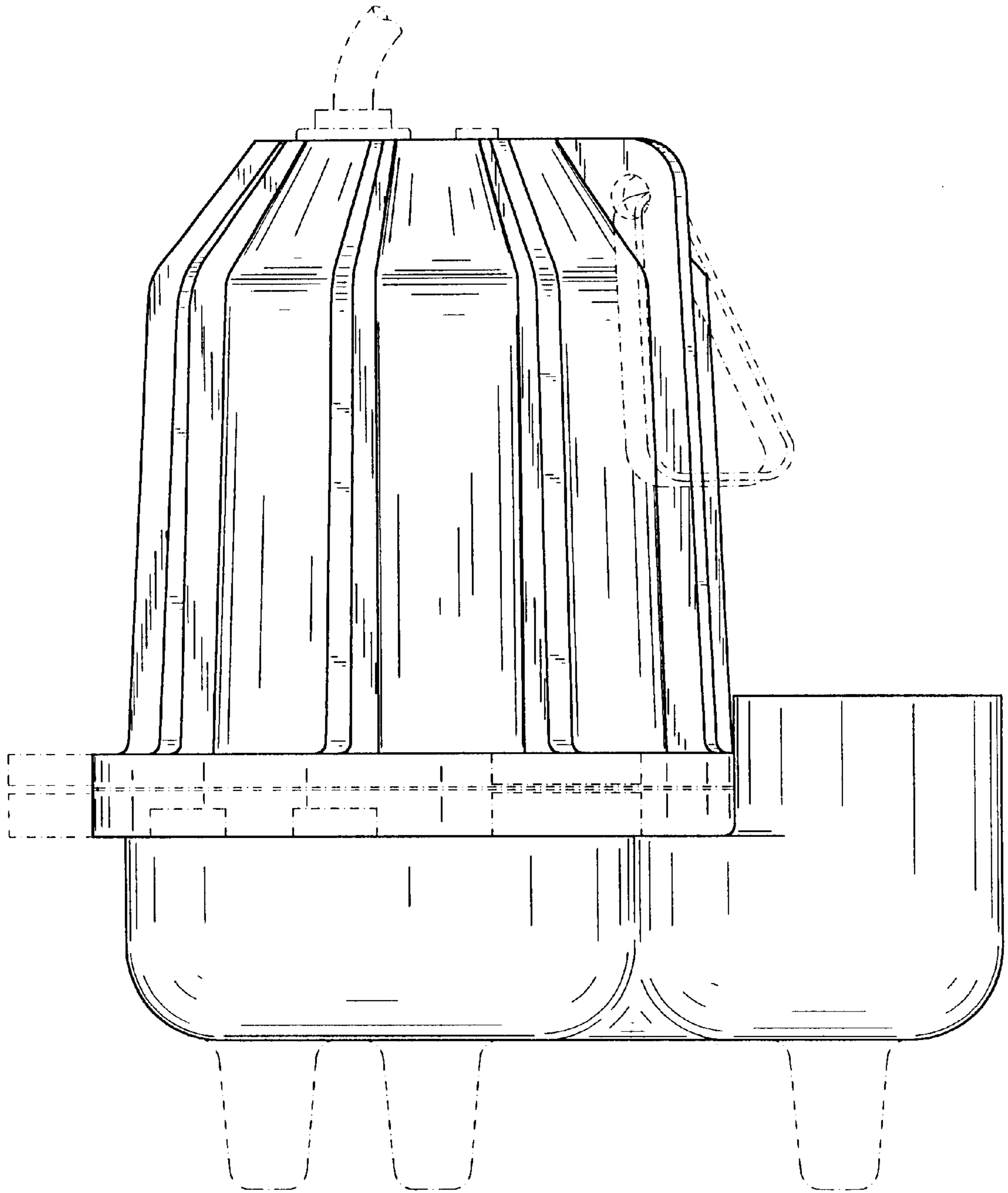


Fig.2

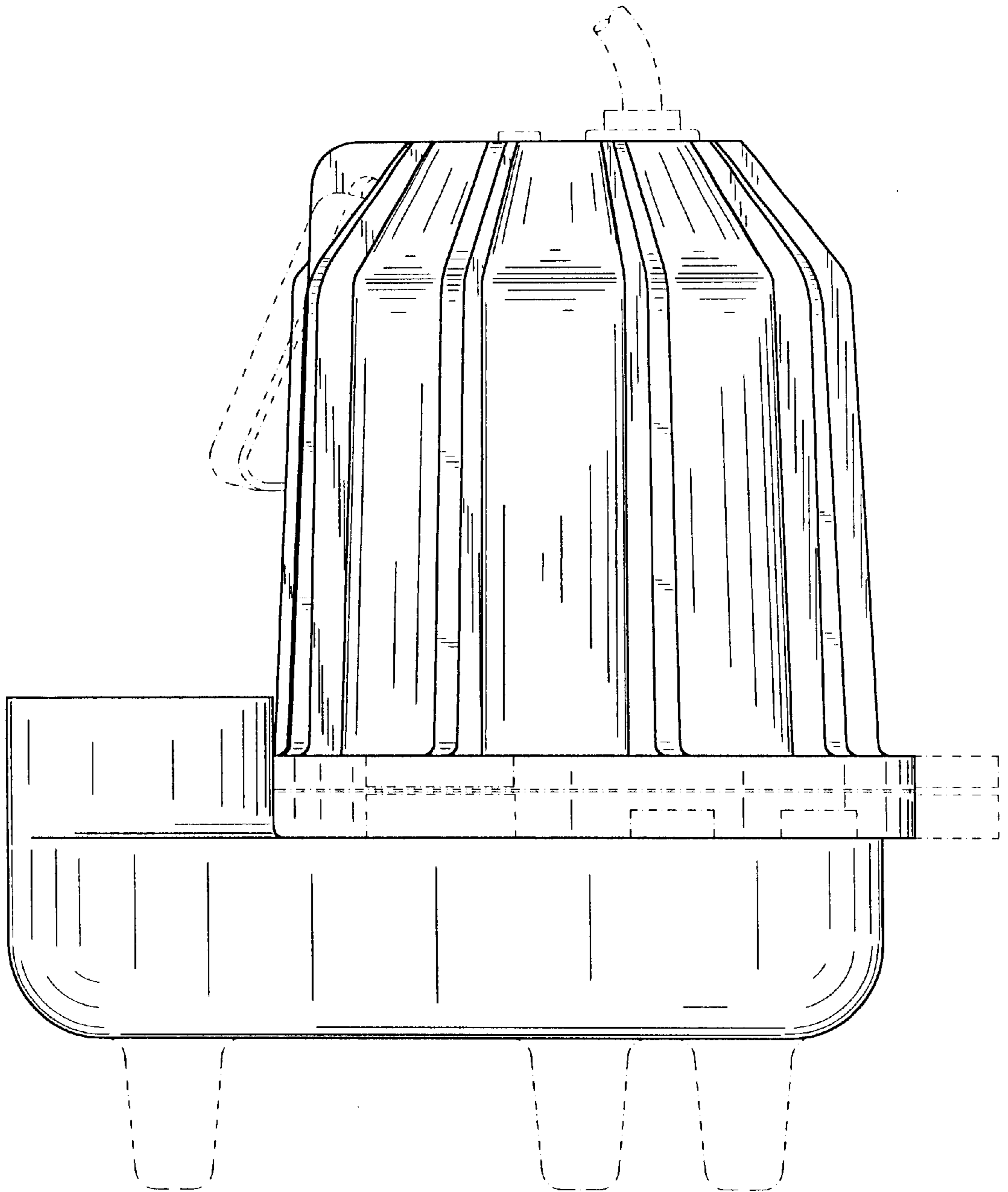


Fig.3

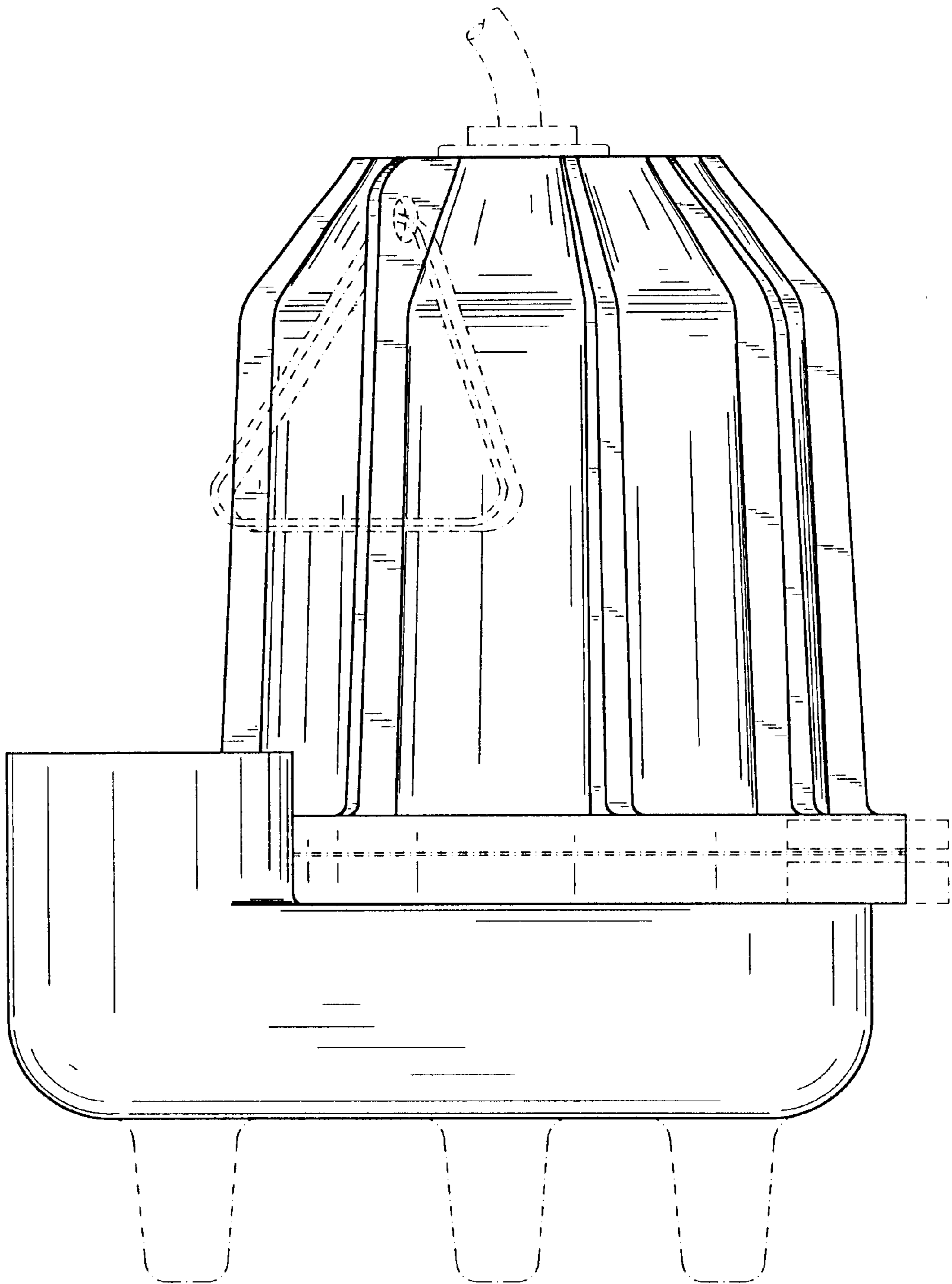


Fig.4

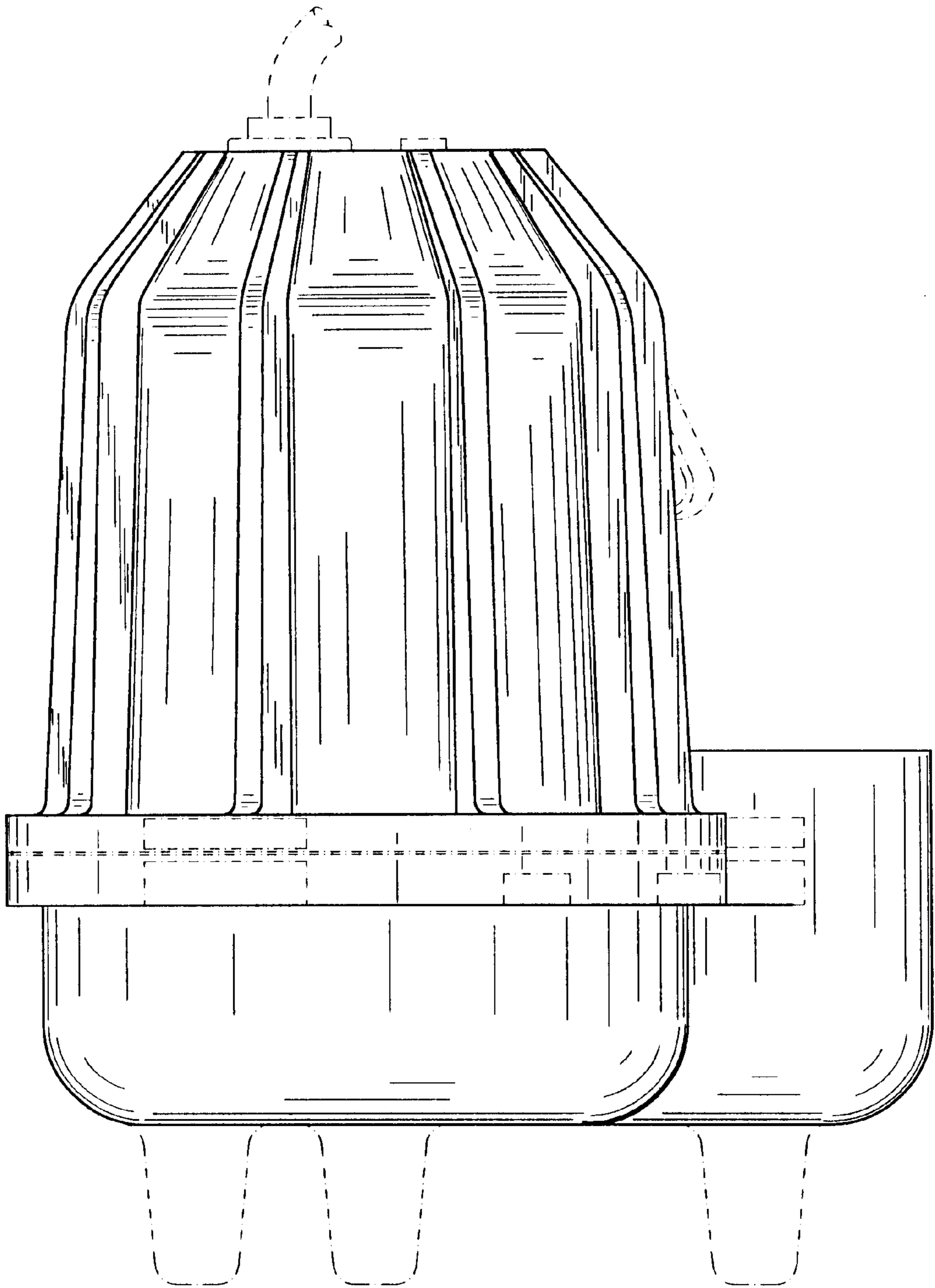


Fig.5

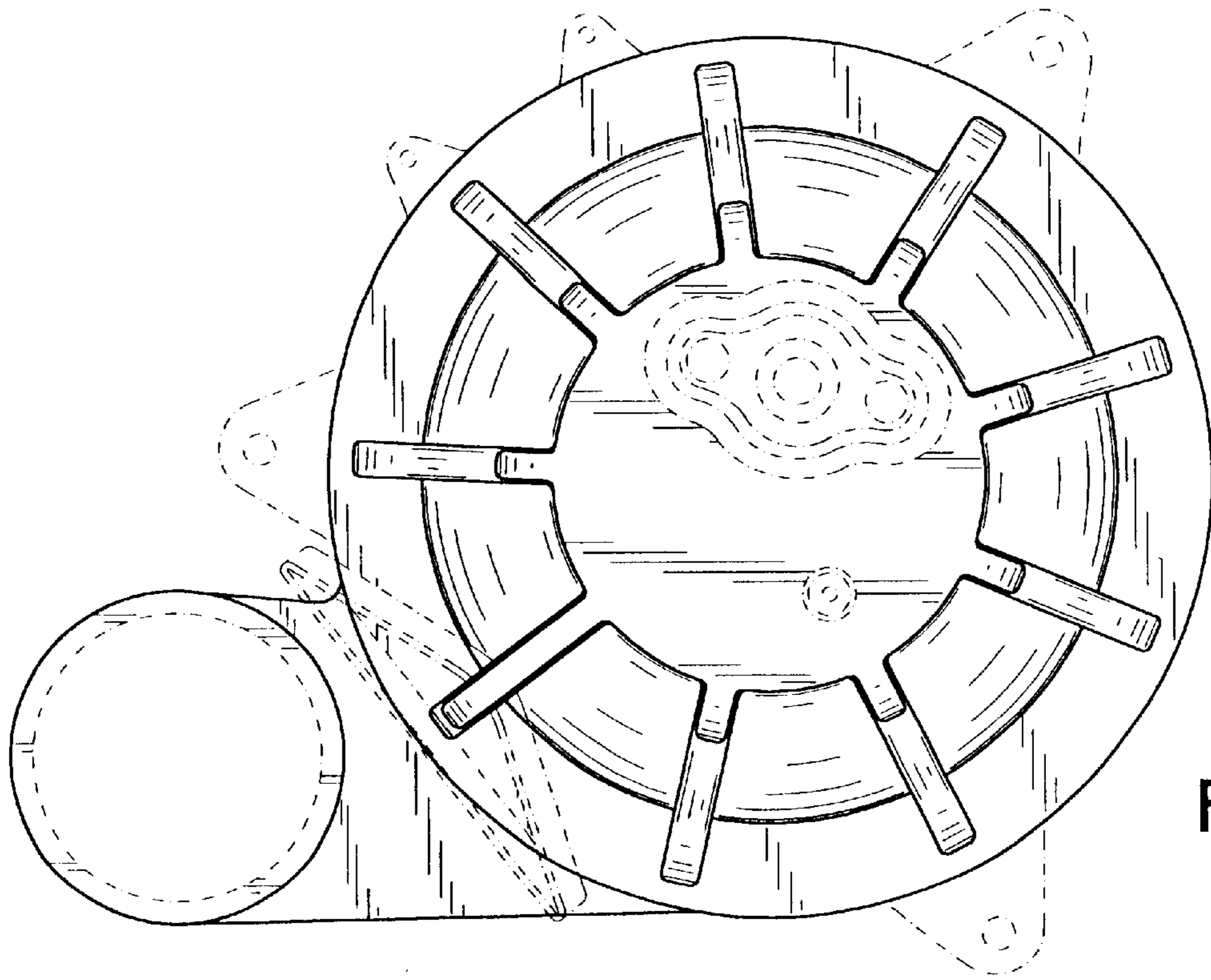


Fig.6

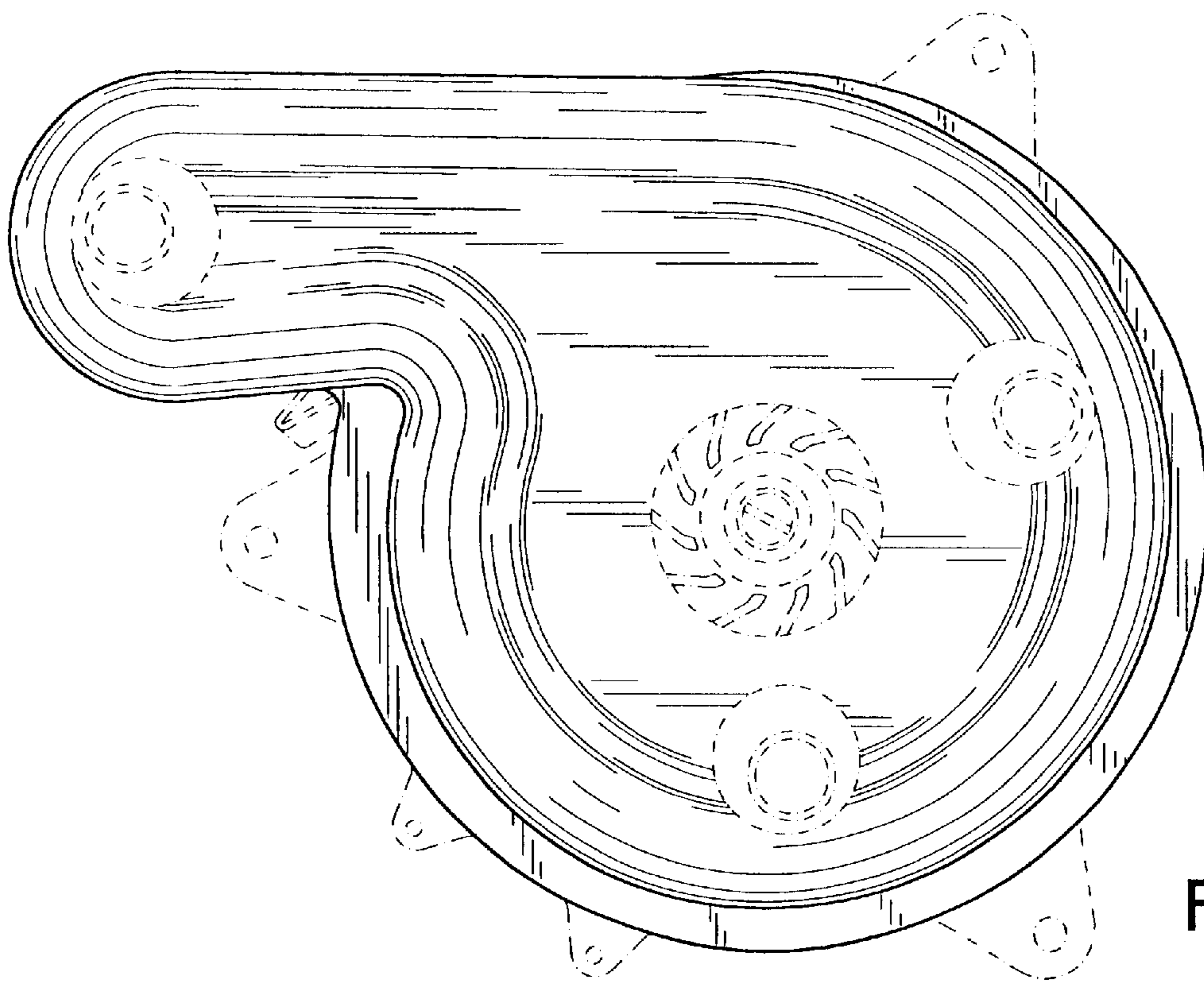


Fig.7