



US00D482698S

(12) **United States Design Patent**
Niwatsukino et al.

(10) **Patent No.:** **US D482,698 S**

(45) **Date of Patent:** **** Nov. 25, 2003**

(54) **PUMP FOR CIRCULATING COOLANT IN ELECTRONIC DEVICES**

(75) Inventors: **Kyo Niwatsukino**, Fukuoka (JP);
Youichi Syukuri, Fukuoka (JP); **Seiji Urano**, Onojo (JP); **Shigeru Narakino**, Fukuoka (JP); **Fuminori Hirakawa**, Saga (JP); **Toshihiko Matsuda**, Fukuoka (JP); **Shinya Koga**, Kurume (MP); **Yoshimitsu Aizono**, Ogori (JP); **Toshisuke Sakai**, Onojo (JP); **Toshiyuki Kubota**, Kasuga (JP); **Makoto Nishida**, Fukuoka (JP)

(73) Assignee: **Matsushita Electric Industrial Co., Ltd.**, Osaka (JP)

(**) Term: **14 Years**

(21) Appl. No.: **29/174,821**

(22) Filed: **Jan. 24, 2003**

(30) **Foreign Application Priority Data**

Jul. 26, 2002 (JP) 2002-020058

(51) **LOC (7) Cl.** **15-02**

(52) **U.S. Cl.** **D15/7**

(58) **Field of Search** D15/7-9; 417/228, 417/321, 410; 220/796

(56) **References Cited**

U.S. PATENT DOCUMENTS

1,440,046 A * 12/1922 Zipunsky 220/796
D307,278 S * 4/1990 Turbanisch D15/8
D327,481 S * 6/1992 Stephenson D15/7
D354,754 S * 1/1995 Broughton D15/7
D372,921 S * 8/1996 Ijiri et al. D15/7
6,203,290 B1 * 3/2001 Tamura et al. 417/410.3

* cited by examiner

Primary Examiner—Ralf Seifert

(74) *Attorney, Agent, or Firm*—Brinks Hofer Gilson & Lione

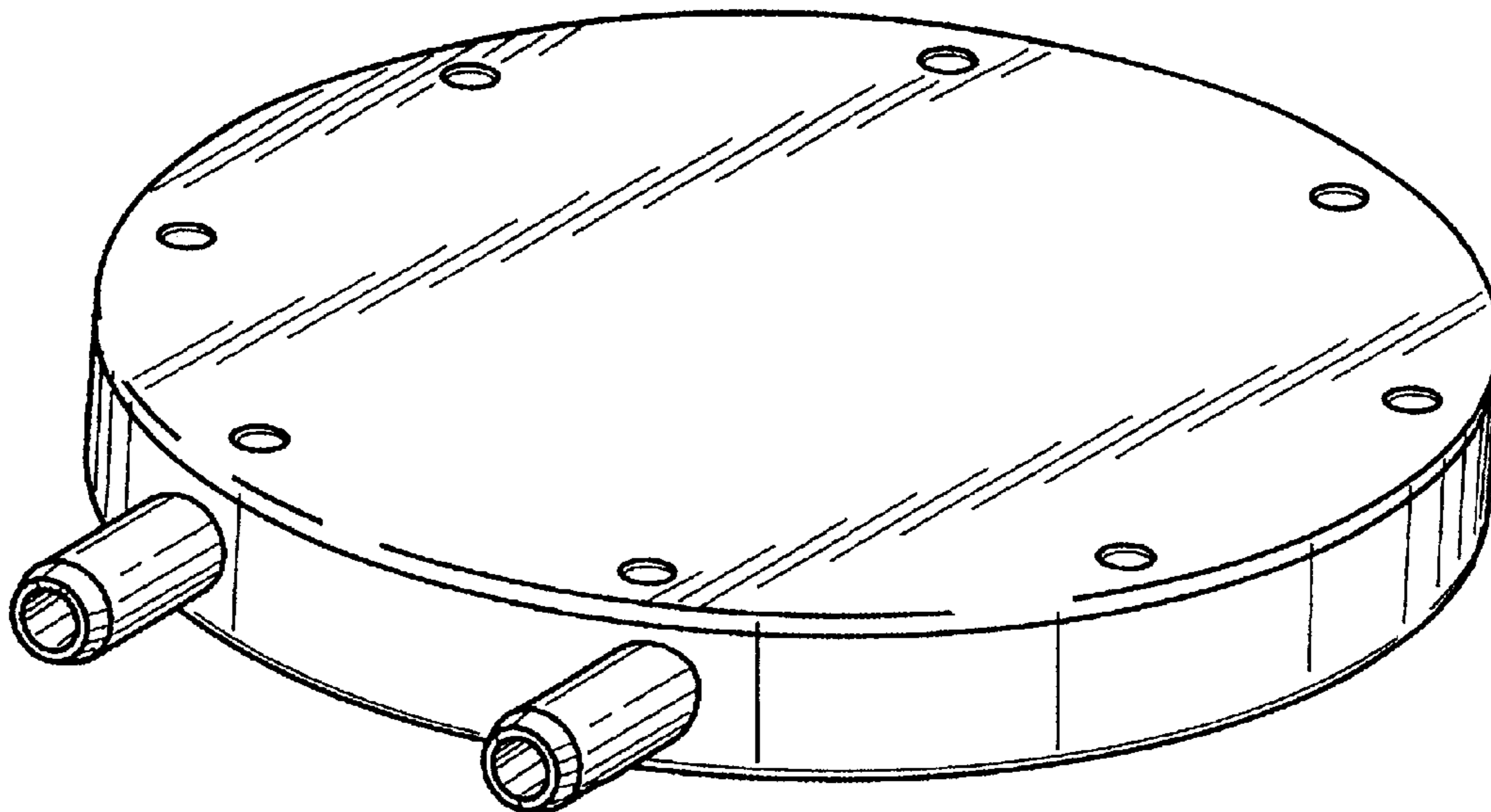
(57) **CLAIM**

The ornamental design for a pump for circulating coolant in electronic devices, as shown and described.

DESCRIPTION

FIG. 1 is a top perspective view of a pump for circulating coolant in electronic devices of the present invention; FIG. 2 is a front view thereof; FIG. 3 is a rear view thereof; FIG. 4 is a first side view thereof; FIG. 5 is a second side view thereof; FIG. 6 is a top view thereof; and, FIG. 7 is a bottom view thereof.

1 Claim, 3 Drawing Sheets



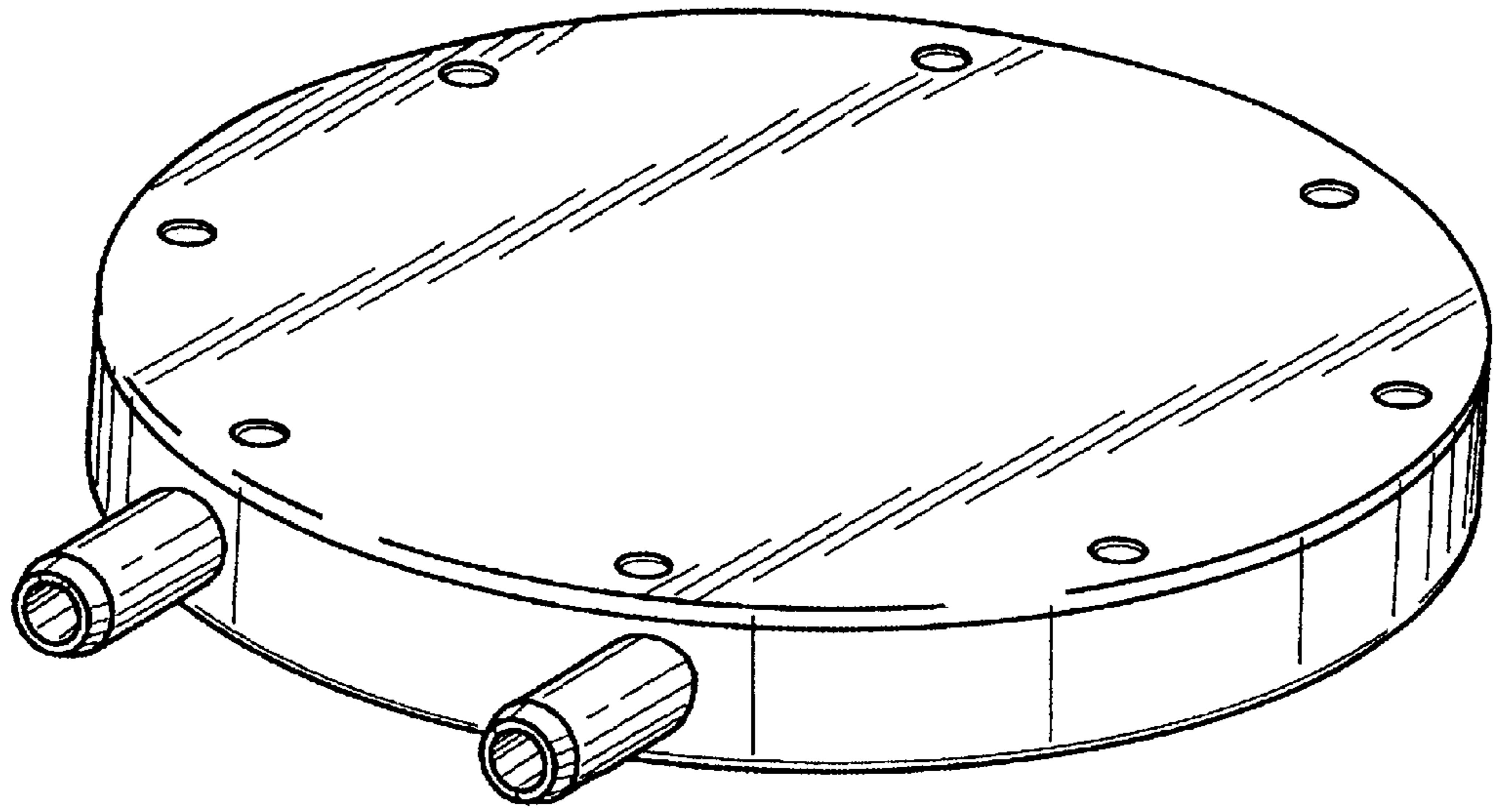


FIG. 1

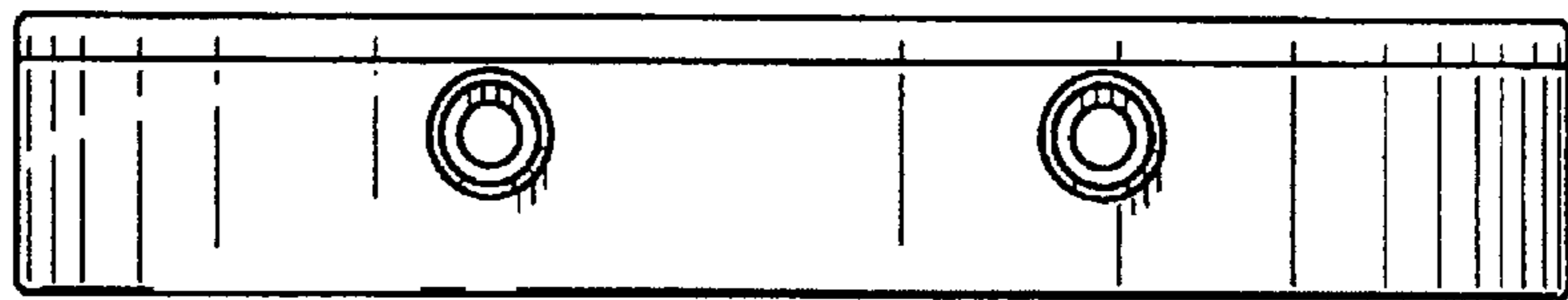


FIG. 2

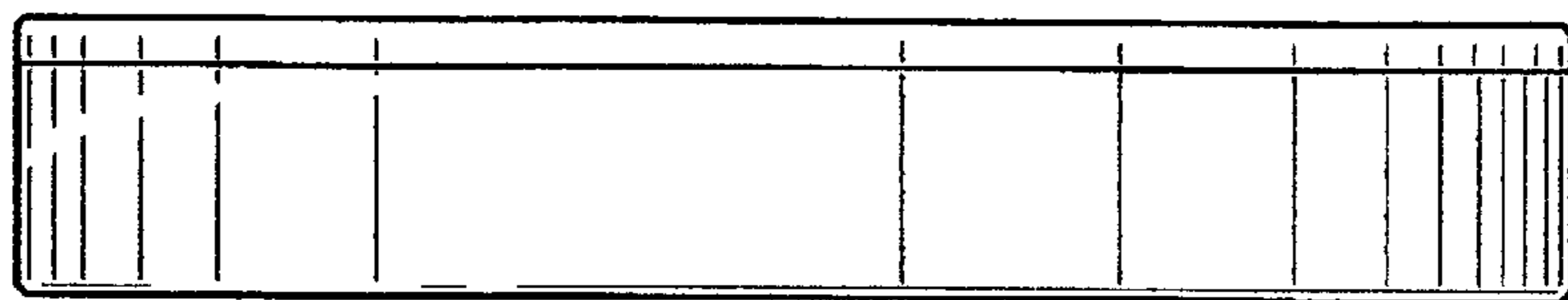


FIG. 3

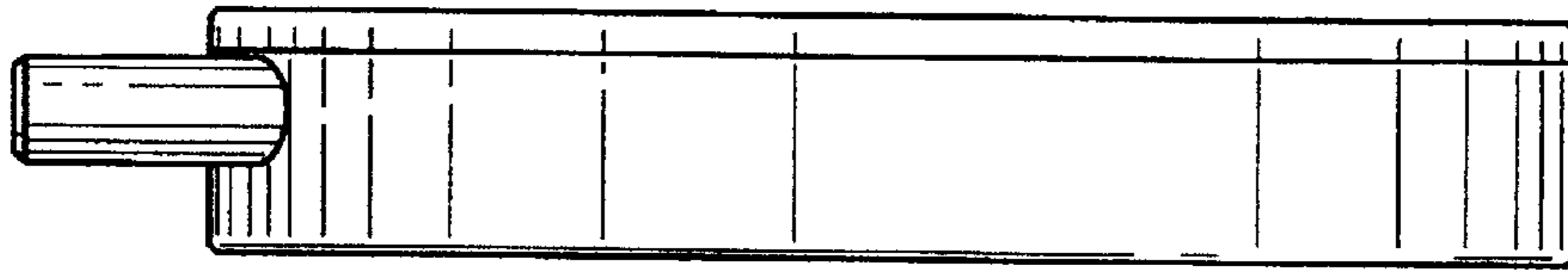


FIG. 4

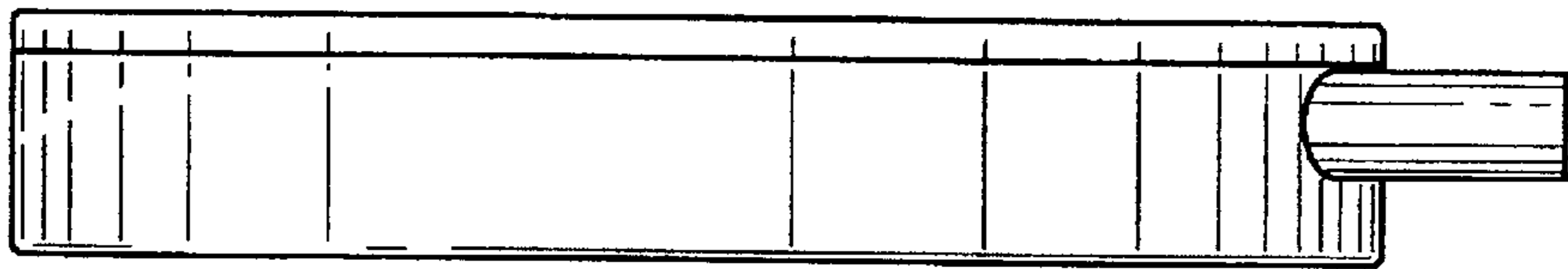


FIG. 5

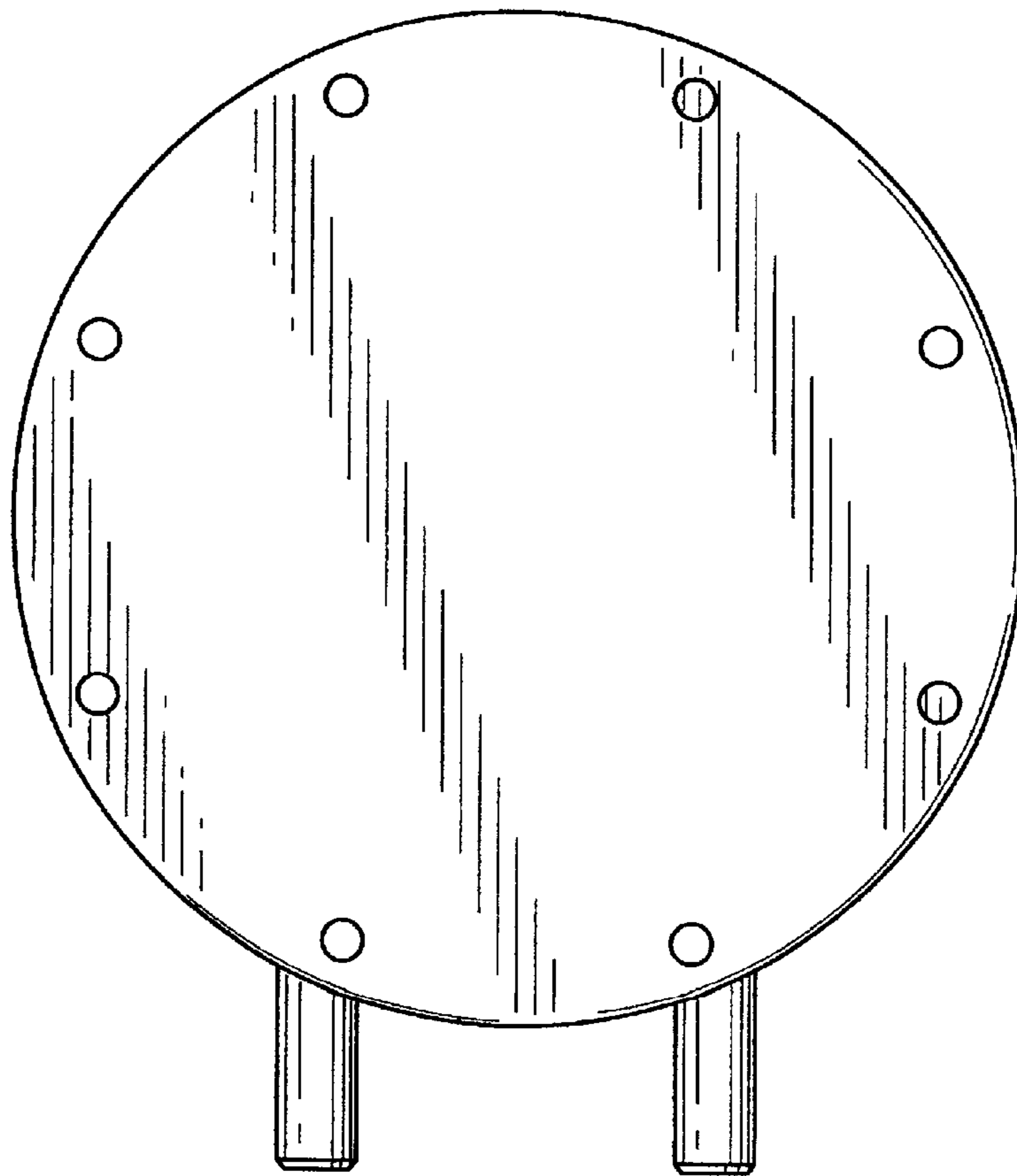


FIG. 6

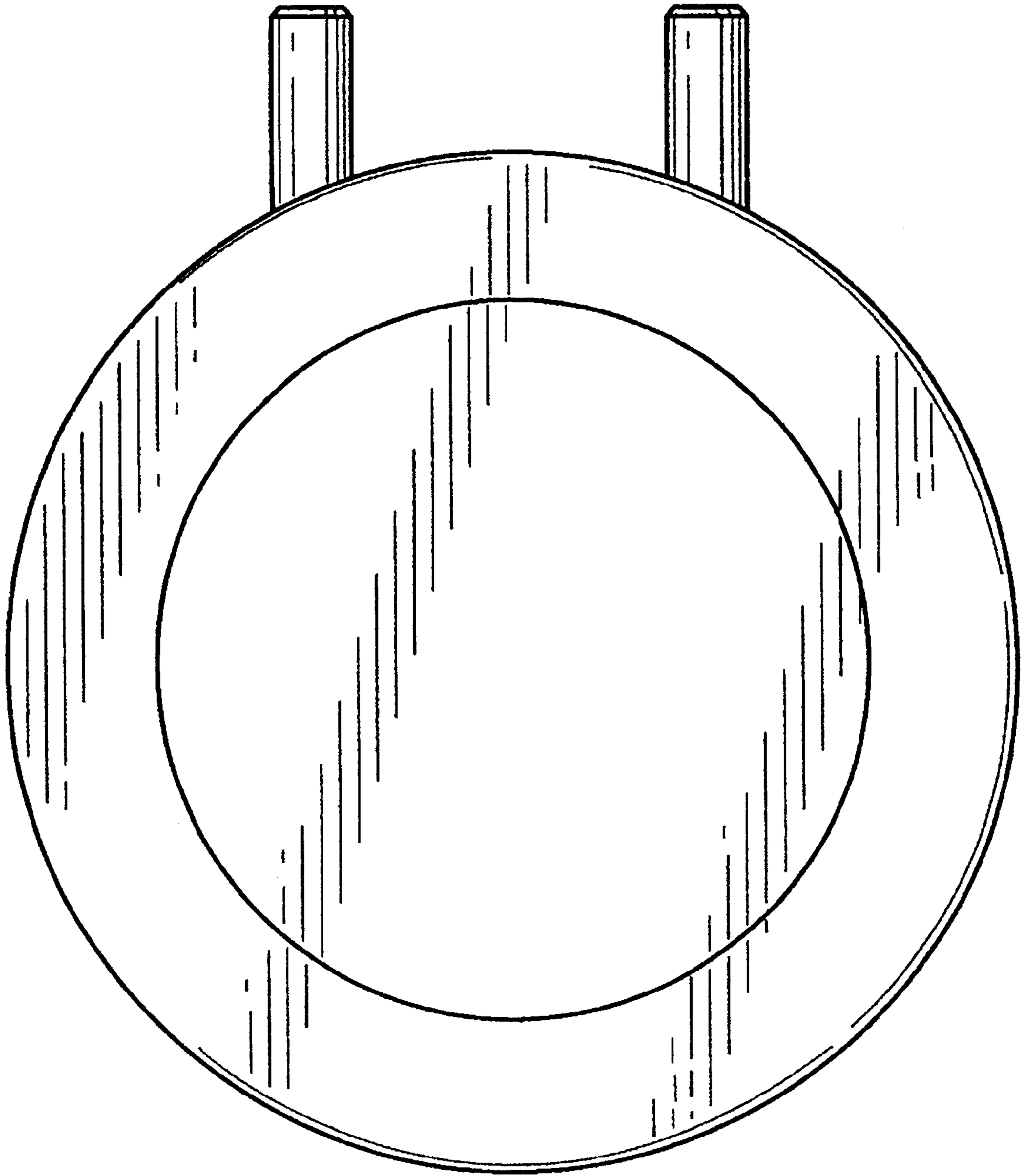


FIG. 7