



US00D482697S

(12) **United States Design Patent**
Tsen

(10) **Patent No.:** **US D482,697 S**

(45) **Date of Patent:** **** Nov. 25, 2003**

(54) **4 PLUGS OF JOYPAD HOLDER**

(75) Inventor: **Norman Tsen, West (HK)**

(73) Assignee: **Wattly International Group Ltd.,
West (HK)**

(**) Term: **14 Years**

(21) Appl. No.: **29/141,231**

(22) Filed: **May 2, 2001**

(30) **Foreign Application Priority Data**

Apr. 6, 2001 (HK) 0110511

(51) **LOC (7) Cl.** **14-02**

(52) **U.S. Cl.** **D14/457; D14/451; D8/349;
D8/499**

(58) **Field of Search** D14/412, 413,
D14/432, 457, 454, 447, 451; D8/375,
349, 354, 499

(56) **References Cited**

U.S. PATENT DOCUMENTS

D259,466 S * 6/1981 Doonan D8/499

D261,357 S * 10/1981 Doonan D8/499

D284,266 S * 6/1986 Resan D8/382

D304,293 S * 10/1989 McCarthy D8/349

D326,408 S * 5/1992 Smith D8/499

D347,161 S * 5/1994 Conaway et al. D8/375

* cited by examiner

Primary Examiner—Kay H. Chin

(74) *Attorney, Agent, or Firm*—Merchant & Gould P.C.

(57) **CLAIM**

The ornamental design for a 4 plugs of joypad holder, as shown and described.

DESCRIPTION

FIG. 1 is a front elevational view of an embodiment of 4 plugs of joypad holder showing my new design;

FIG. 2 is a rear elevational view thereof;

FIG. 3 is a left side elevational view thereof;

FIG. 4 is a right side elevational view thereof;

FIG. 5 is a top plan view thereof;

FIG. 6 is a bottom plan view thereof;

FIG. 7 is a top perspective view thereof; and,

FIG. 8 is a bottom perspective view.

1 Claim, 6 Drawing Sheets

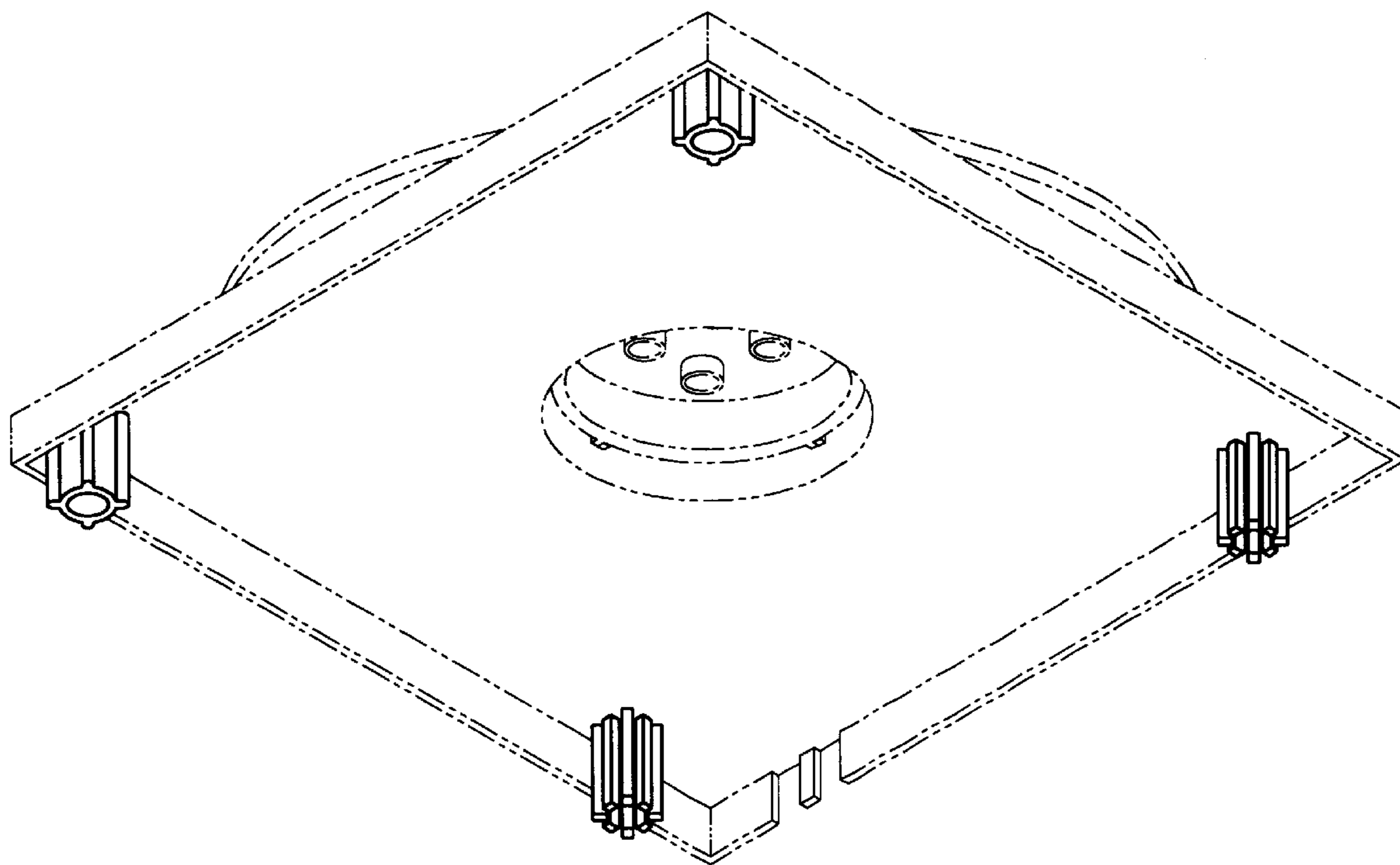


FIG. 1

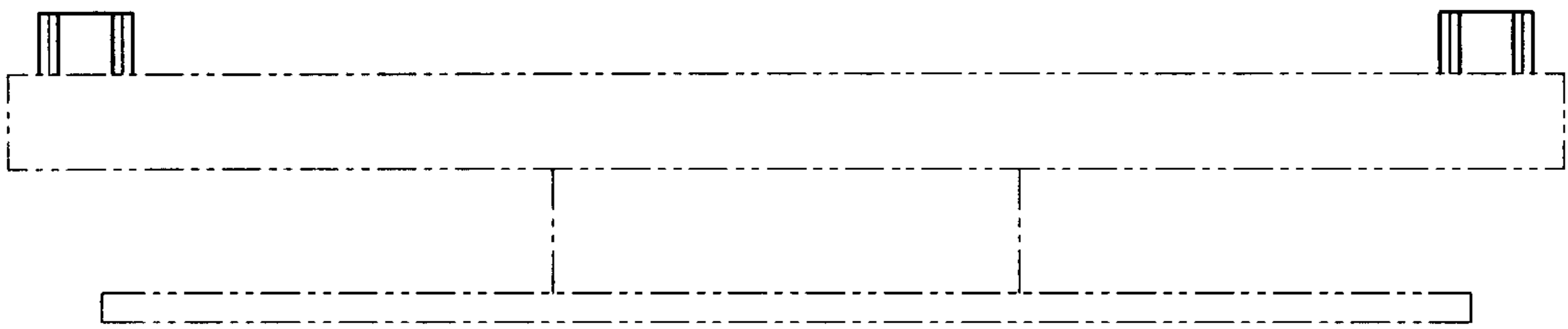


FIG. 2

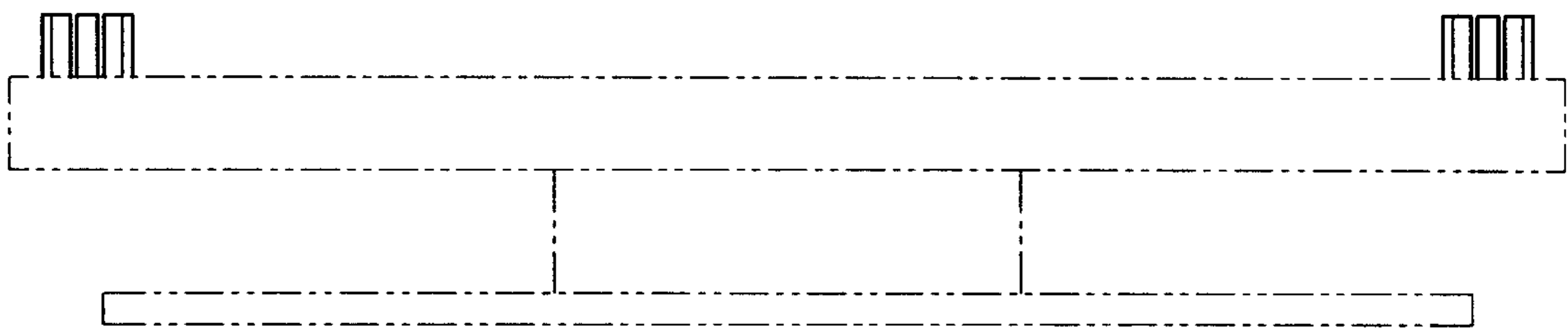


FIG.3

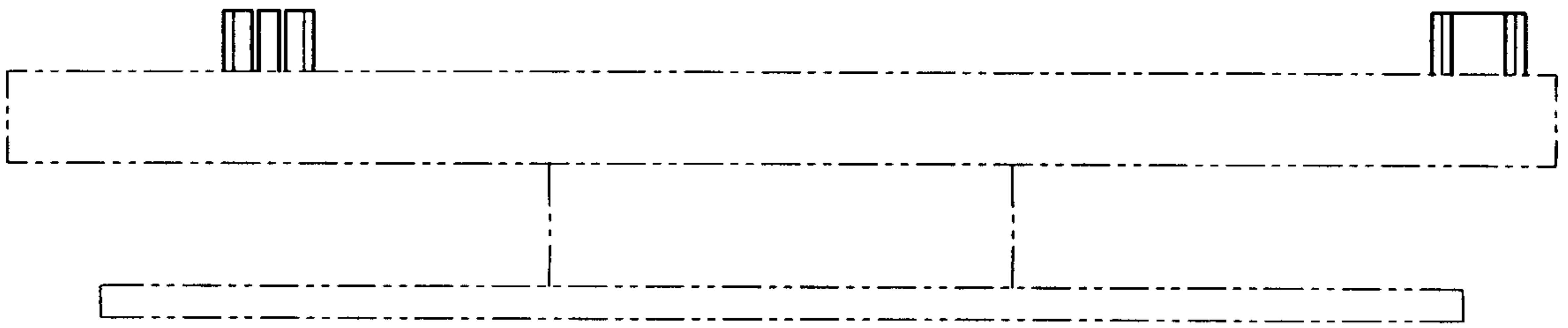


FIG.4

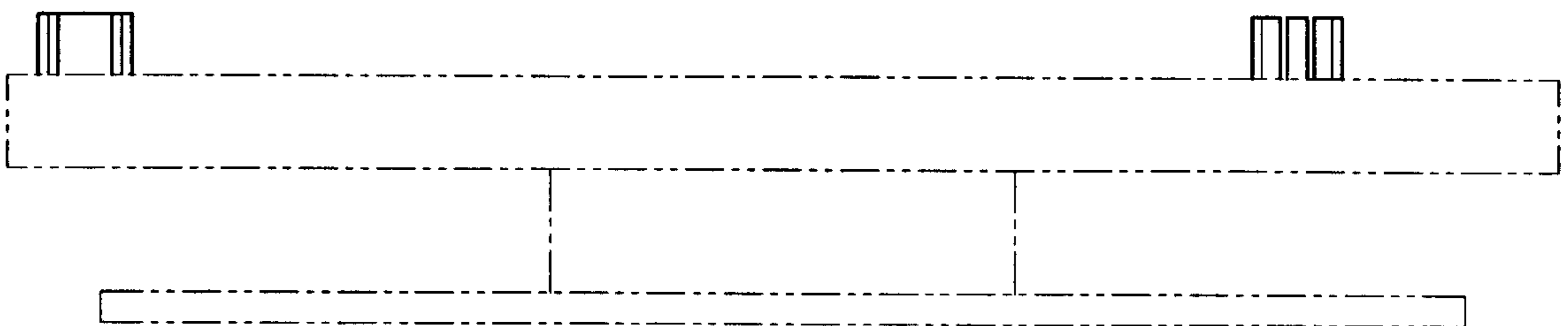


FIG.5

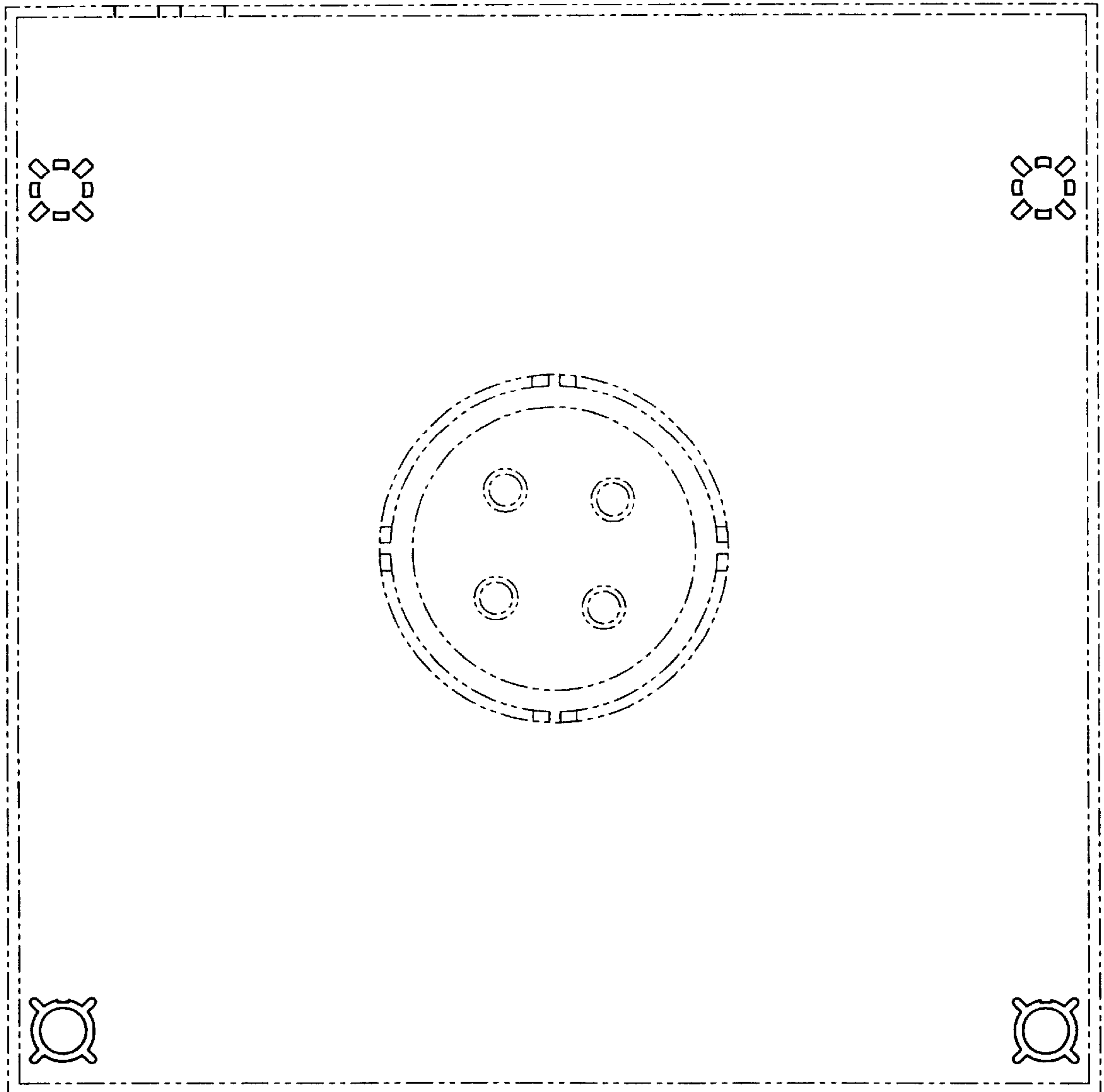
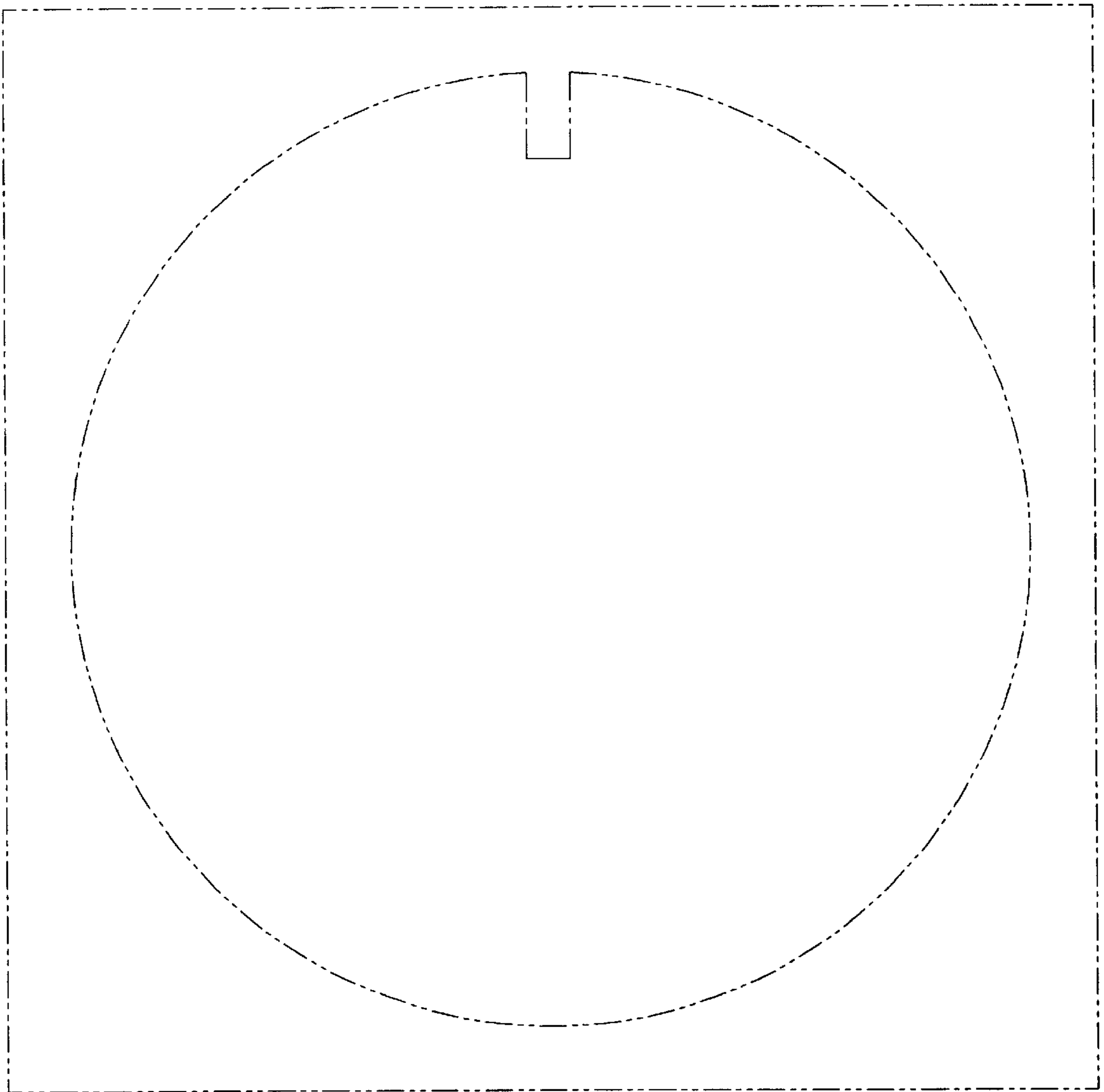


FIG.6



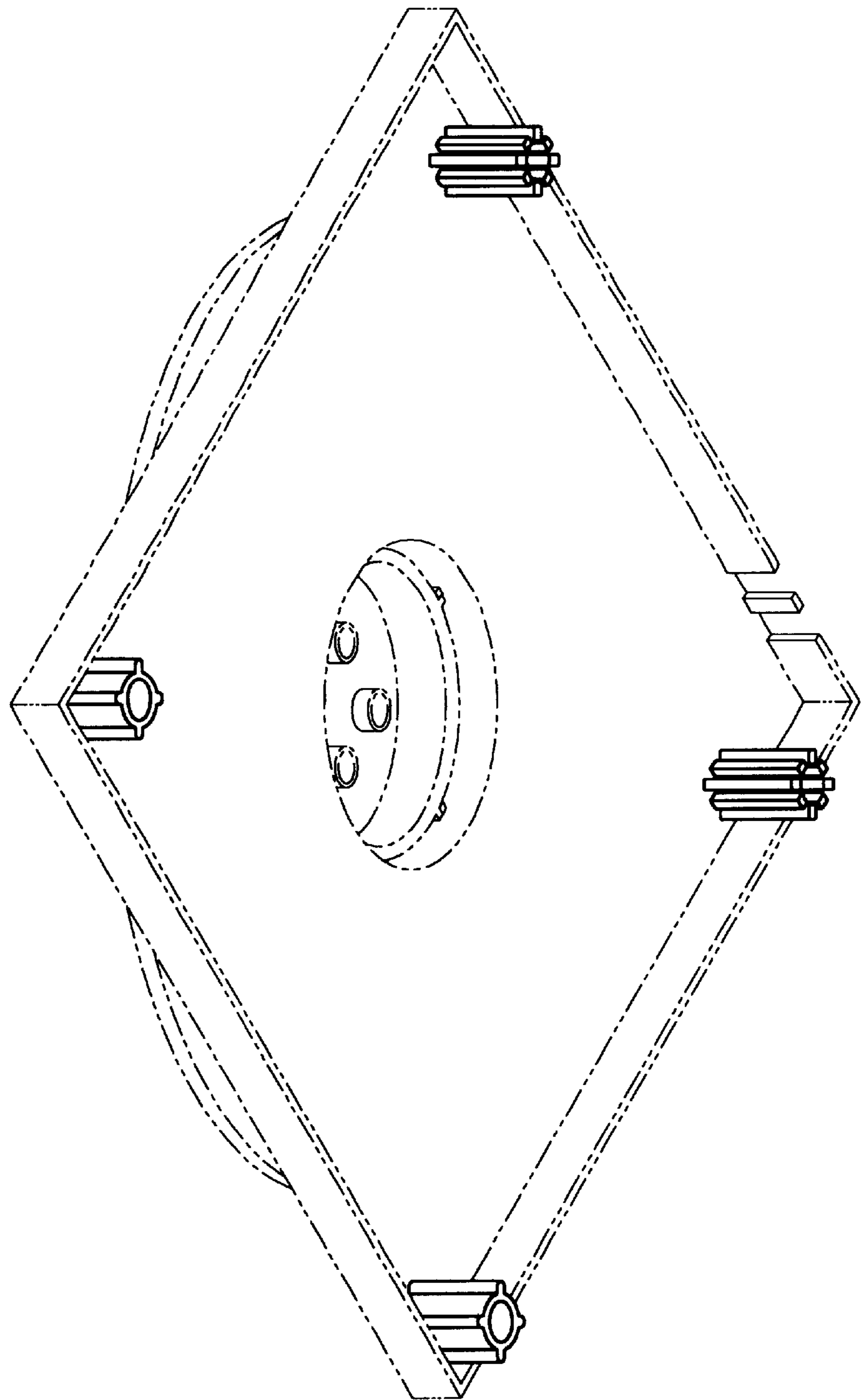


FIG.7

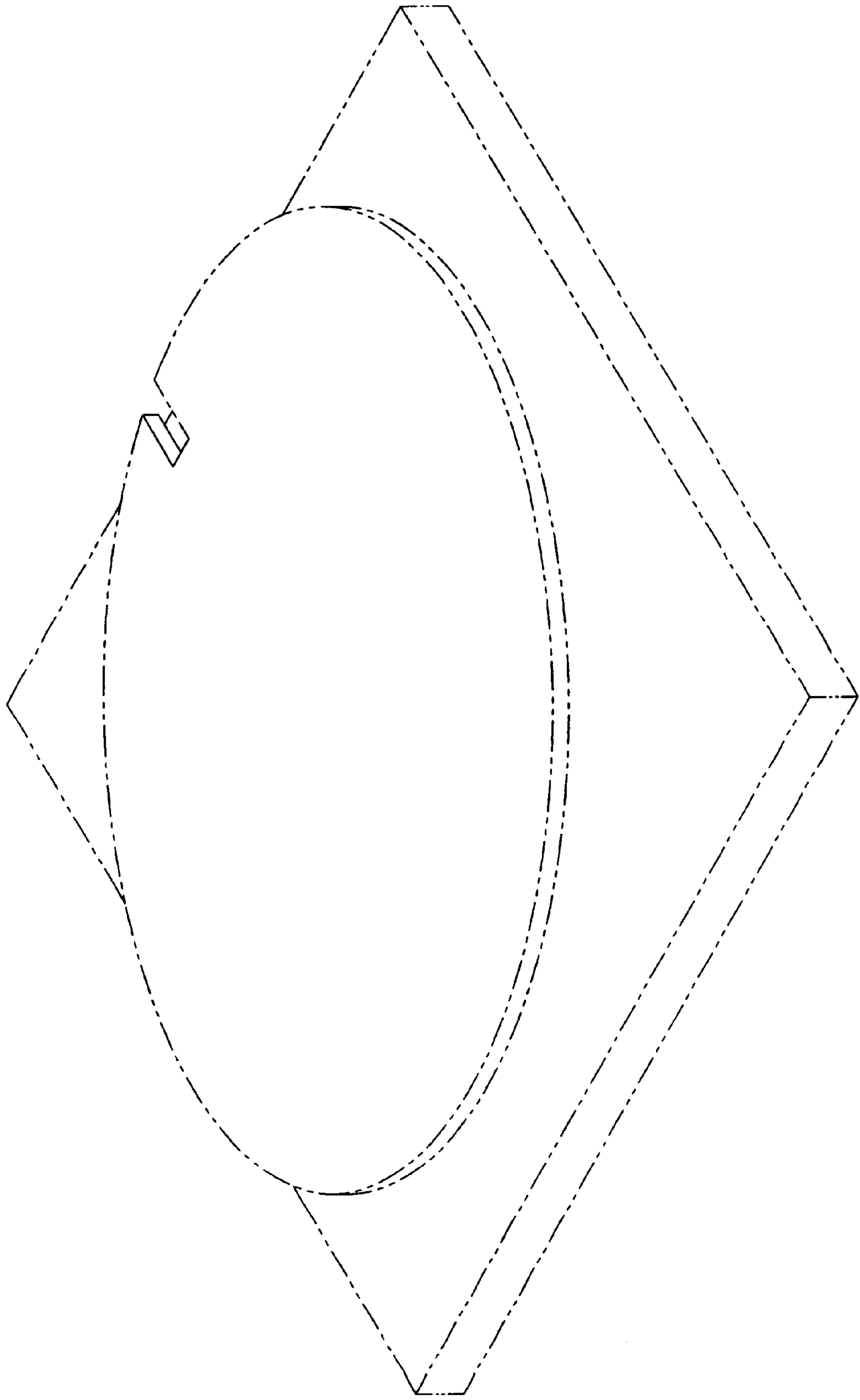


FIG.8