



US00D482695S

(12) **United States Design Patent**
Storti et al.

(10) **Patent No.:** **US D482,695 S**

(45) **Date of Patent:** **** Nov. 25, 2003**

(54) **FRONT BEZEL FOR CONSUMER ELECTRONIC PRODUCT**

D434,043 S * 11/2000 Holland et al. D14/444
D436,965 S * 1/2001 Lin D14/441
D447,485 S * 9/2001 Carbonneau et al. D14/445

(75) Inventors: **William J. Storti**, Haverford, PA (US);
Chris Seymour, Hatfield, PA (US);
Paul Ocepek, Norfolk, MA (US);
Carol Mathews, Levittown, PA (US)

* cited by examiner

Primary Examiner—Freda Nunn

(74) *Attorney, Agent, or Firm*—Volpe and Koenig, P.C.

(73) Assignee: **General Instrument Corporation**,
Horsham, PA (US)

(57) **CLAIM**

The ornamental design for front bezel for consumer electronic product, as shown and described.

(**) Term: **14 Years**

DESCRIPTION

(21) Appl. No.: **29/166,848**

FIG. 1 is a perspective view, from the front and above a front bezel for a consumer electronic product showing our new design.

(22) Filed: **Sep. 5, 2002**

FIG. 2 is a front view thereof.

(51) **LOC (7) Cl.** **14-02**

FIG. 3 is a top view thereof.

(52) **U.S. Cl.** **D14/444**

FIG. 4 is a bottom view thereof.

(58) **Field of Search** D14/441-446,
D14/257, 432; D13/162, 184, 199; 312/223.2;
361/680-686, 690-696

FIG. 5 is a right side view thereof; and,

FIG. 6 is the left side view thereof.

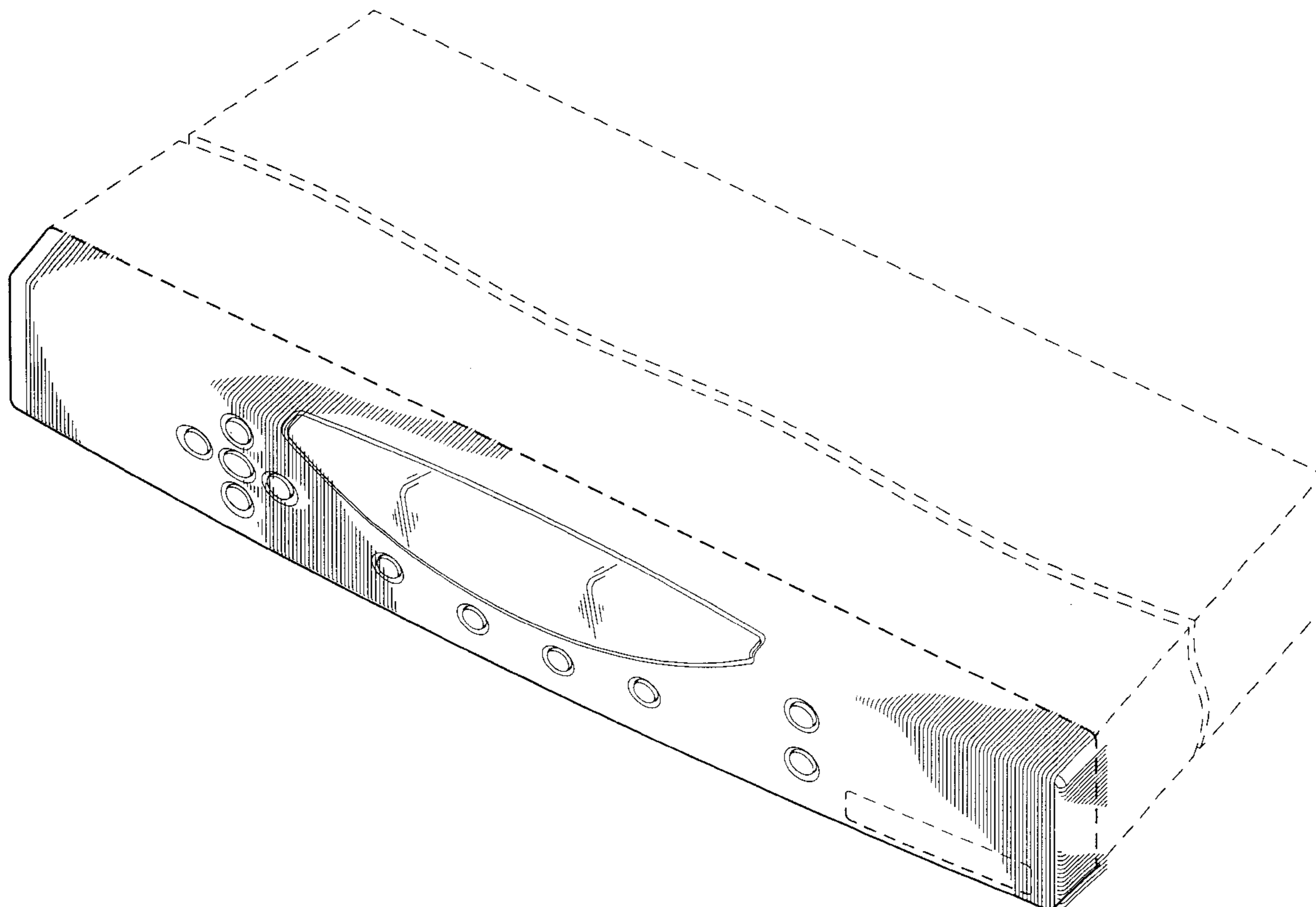
The broken lines shown in FIGS. 1-6 represent environmental subject matter and form no part of the claimed design. The rear view is omitted and forms no part of the claimed design.

(56) **References Cited**

U.S. PATENT DOCUMENTS

D418,518 S * 1/2000 Storti et al. D14/257
D422,993 S * 4/2000 Storti et al. D14/432

1 Claim, 4 Drawing Sheets



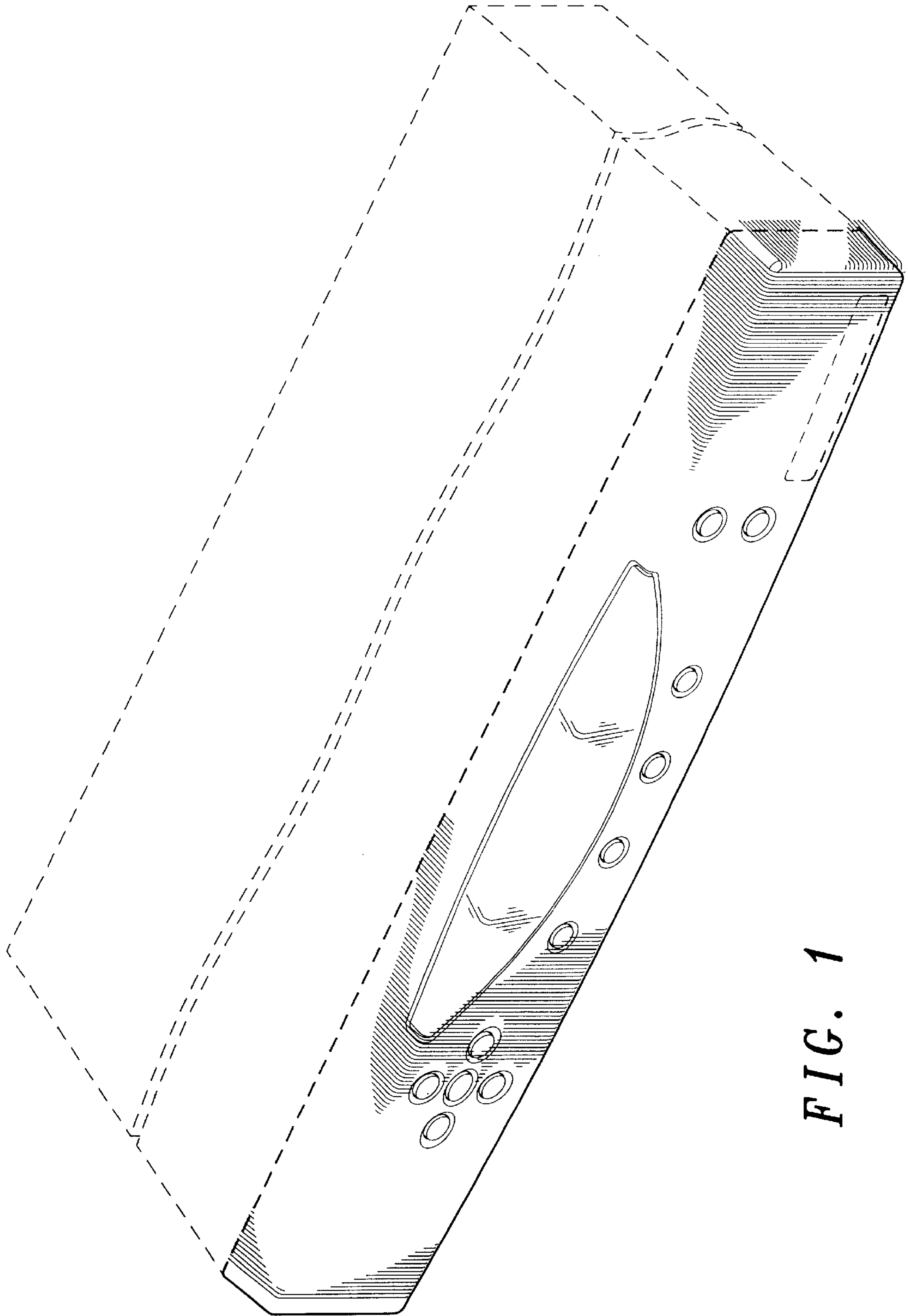


FIG. 1

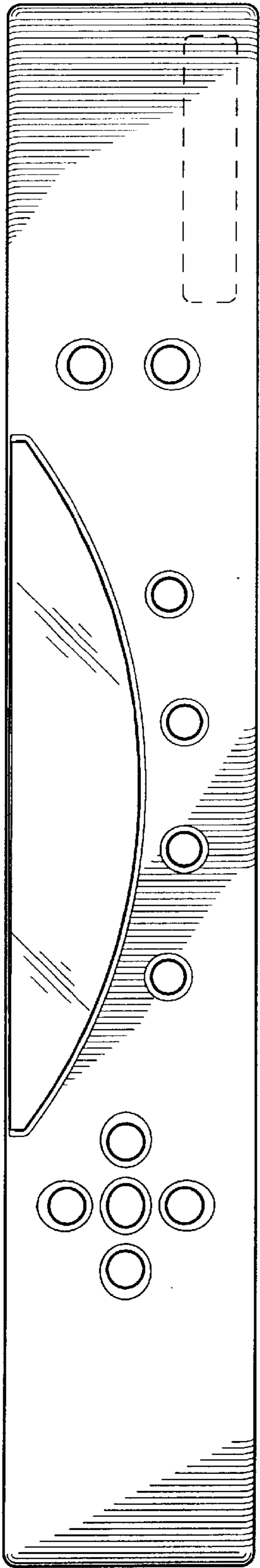
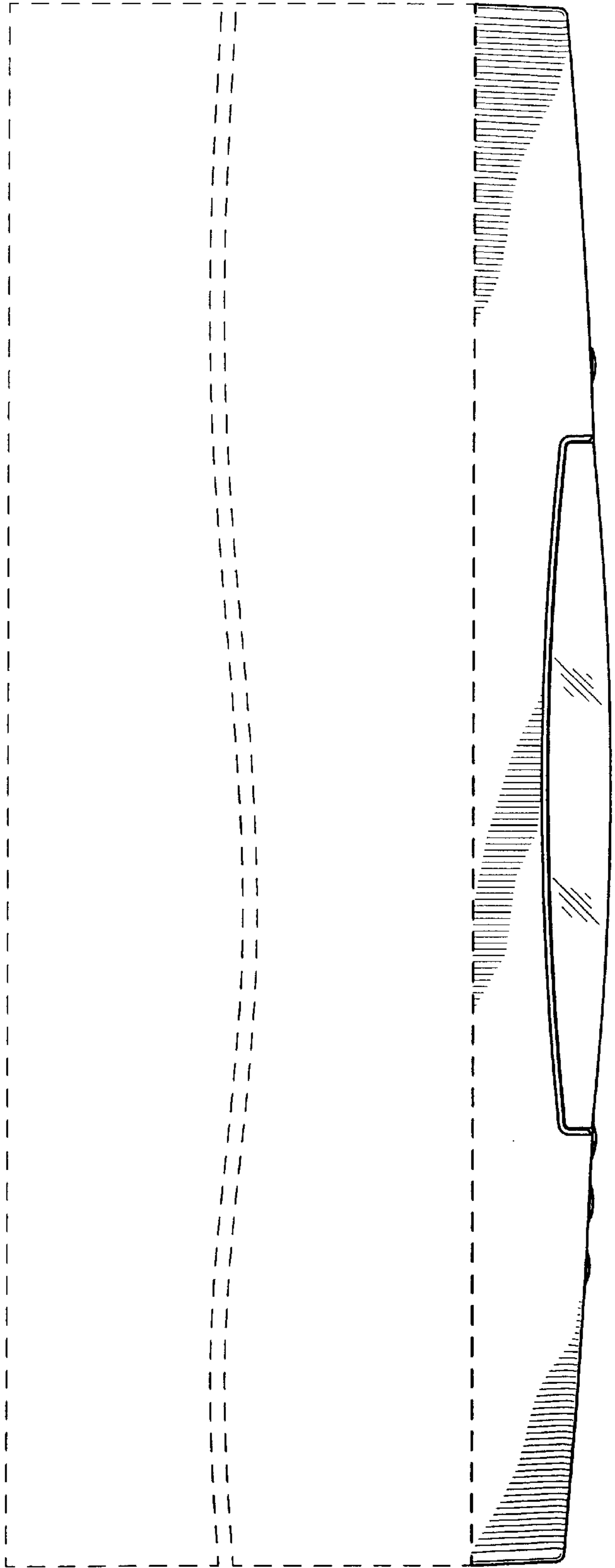


FIG. 2

FIG. 3



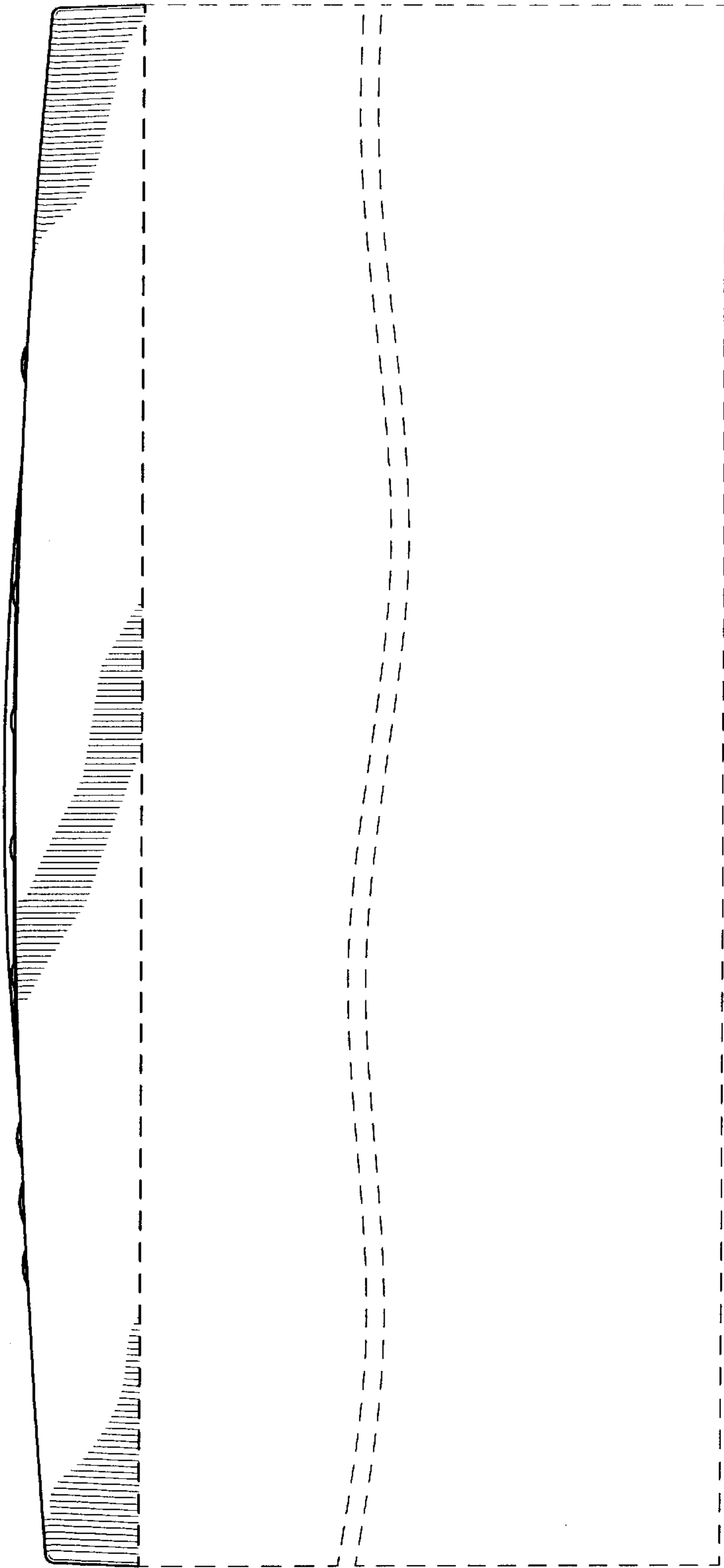


FIG. 4

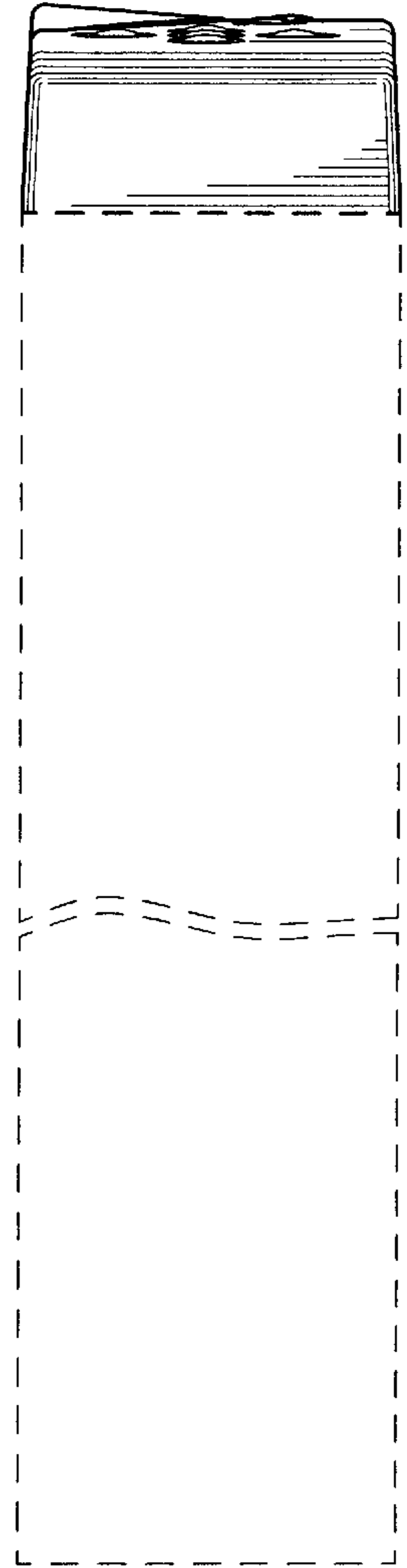


FIG. 5

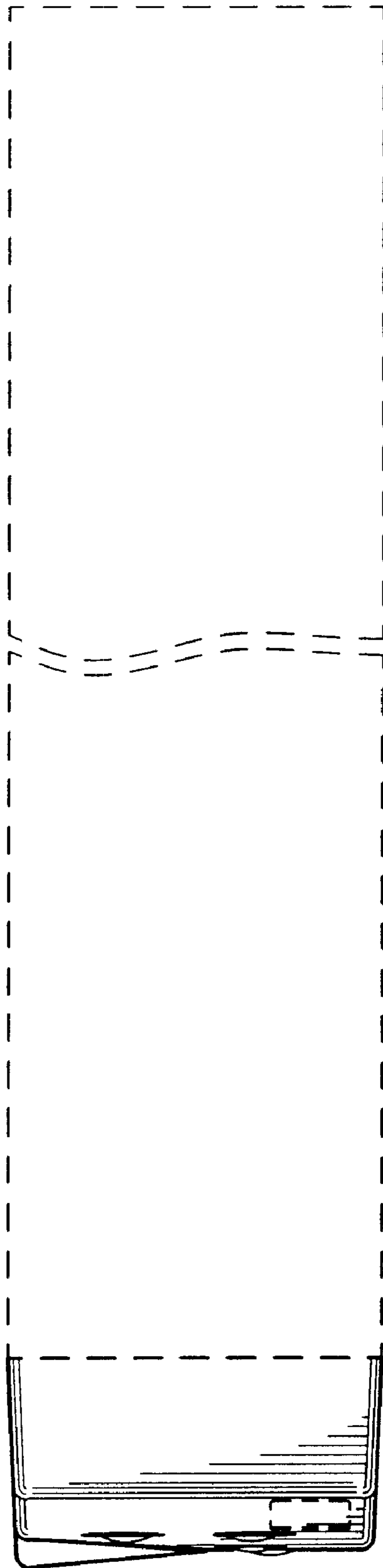


FIG. 6