



US00D482693S

(12) **United States Design Patent**
Nishio et al.

(10) **Patent No.:** **US D482,693 S**

(45) **Date of Patent:** **** Nov. 25, 2003**

(54) **ATTACHING DEVICE FOR MEMORY CARD**

(75) Inventors: **Atsushi Nishio**, Ibaraki-ken (JP);
Takashi Kawasaki, Ibaraki-ken (JP);
Yoshiyuki Kikuchi, Ibaraki-ken (JP)

(73) Assignee: **Mitsumi Electric Co., Ltd.**, Tokyo (JP)

(**) Term: **14 Years**

(21) Appl. No.: **29/171,619**

(22) Filed: **Nov. 26, 2002**

(30) **Foreign Application Priority Data**

May 31, 2002 (JP) 2002-014701

(51) **LOC (7) Cl.** **14-02**

(52) **U.S. Cl.** **D14/433; D14/432**

(58) **Field of Search** D14/432-438;
D13/146, 147; 439/566, 607, 610, 630,
79, 83, 144, 159, 188; 235/441; 361/685

(56) **References Cited**

U.S. PATENT DOCUMENTS

6,224,420 B1 * 5/2001 Nishio et al. 439/566
D470,851 S * 2/2003 Nishio et al. D14/435
2001/0053622 A1 * 12/2001 Oguchi 439/188
2002/0004327 A1 * 1/2002 Nishioka 439/159

2002/0102882 A1 * 8/2002 Tanaka 439/630
2002/0115351 A1 * 8/2002 Nishio et al. 439/630
2003/0024983 A1 * 2/2003 Yeh 235/441
2003/0049968 A1 * 3/2003 Nogami 439/630
2003/0064627 A1 * 4/2003 Ooya et al. 439/630

* cited by examiner

Primary Examiner—Kay H. Chin

(74) *Attorney, Agent, or Firm*—Sughrue Mion, PLLC

(57) **CLAIM**

The ornamental design for an attaching device for memory card, as shown.

DESCRIPTION

FIG. 1 is a perspective view of the top, front and right side of an attaching device for memory card showing our new design;

FIG. 2 is a perspective view of the bottom, rear and left side thereof;

FIG. 3 is a front elevational view thereof;

FIG. 4 is a top plan view thereof;

FIG. 5 is a rear elevational view thereof;

FIG. 6 is a bottom plan view thereof;

FIG. 7 is a right side elevational view thereof; and,

FIG. 8 is a left side elevational view thereof.

1 Claim, 5 Drawing Sheets

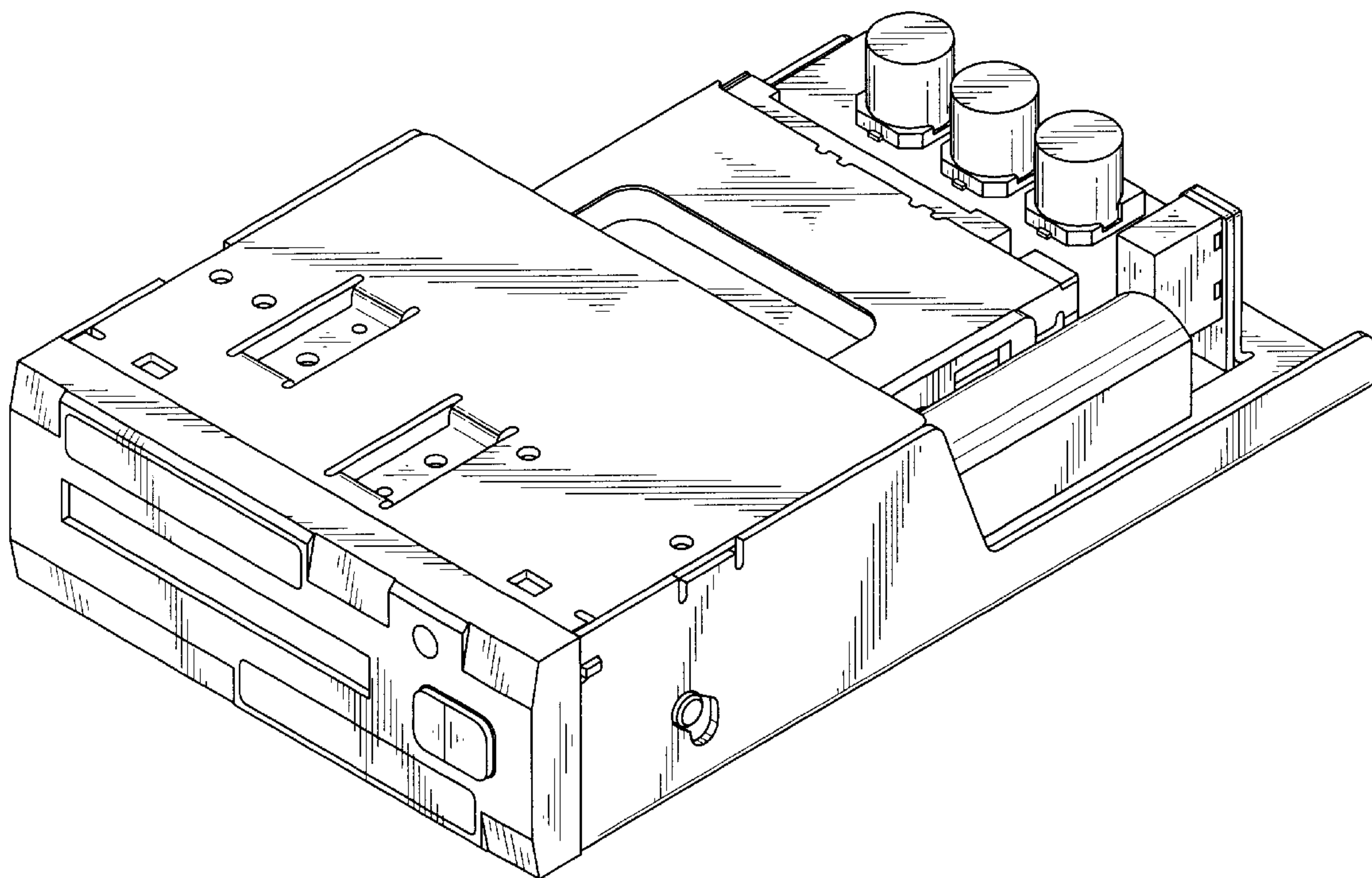


FIG. 1

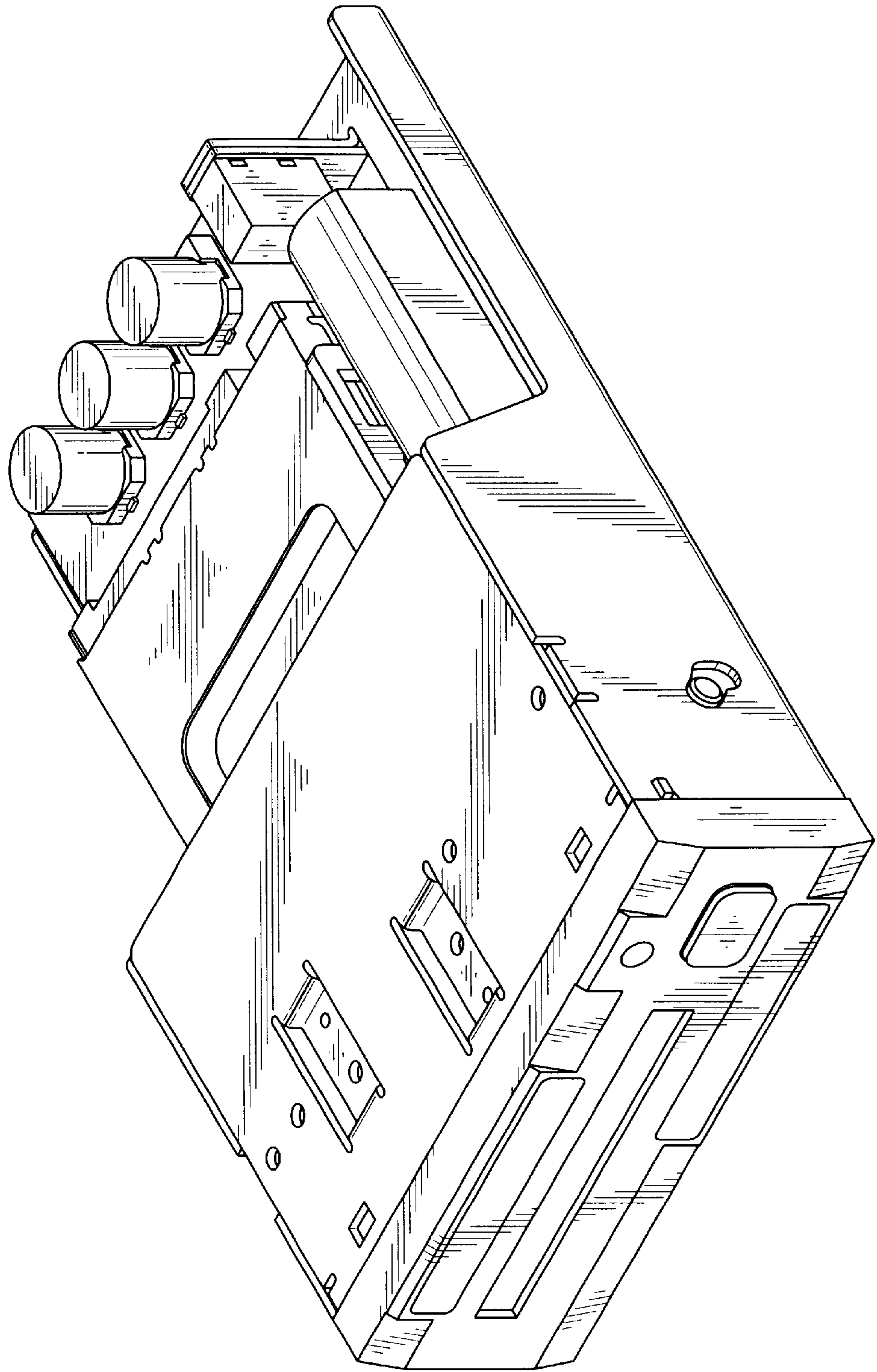


FIG. 2

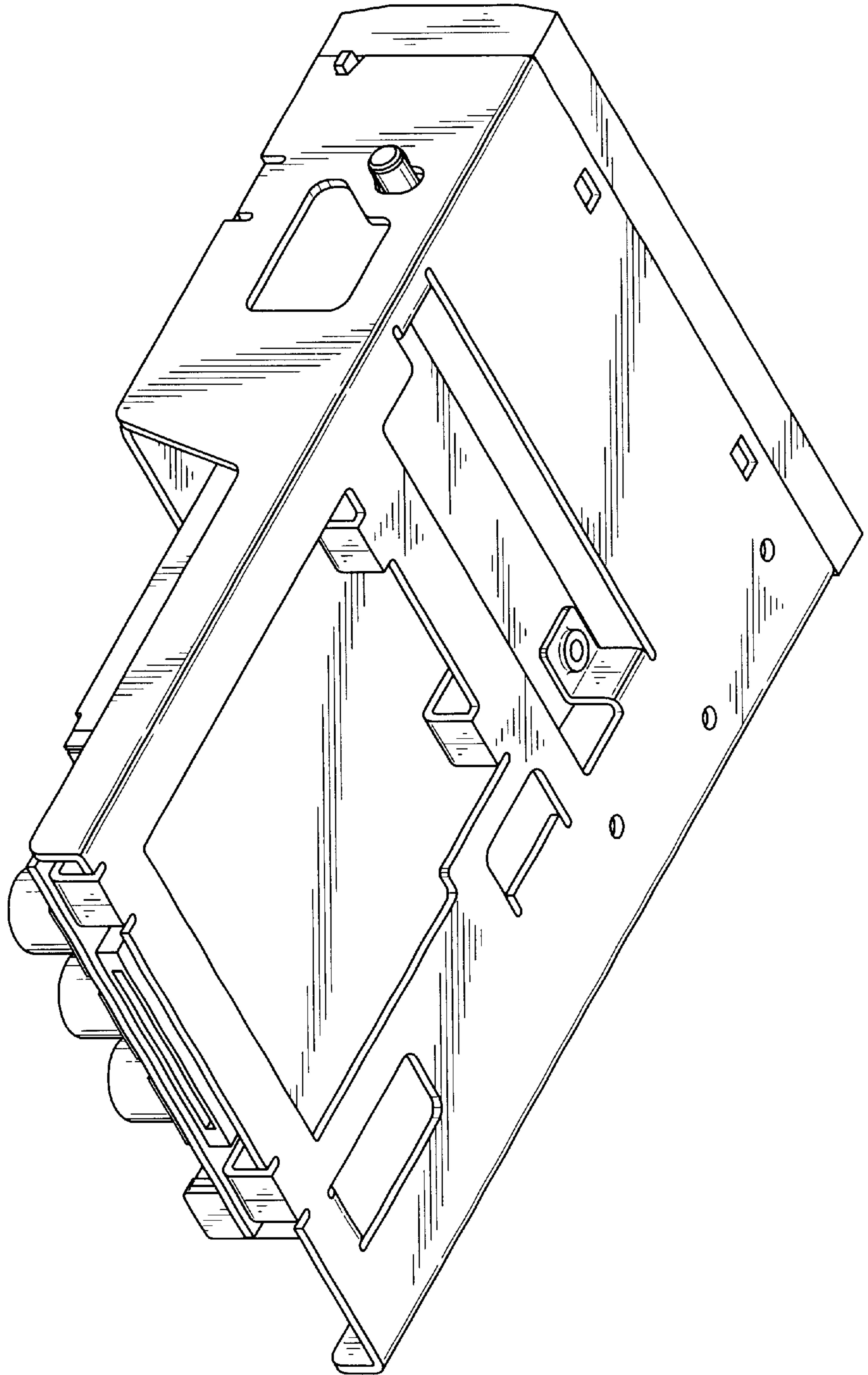


FIG. 3

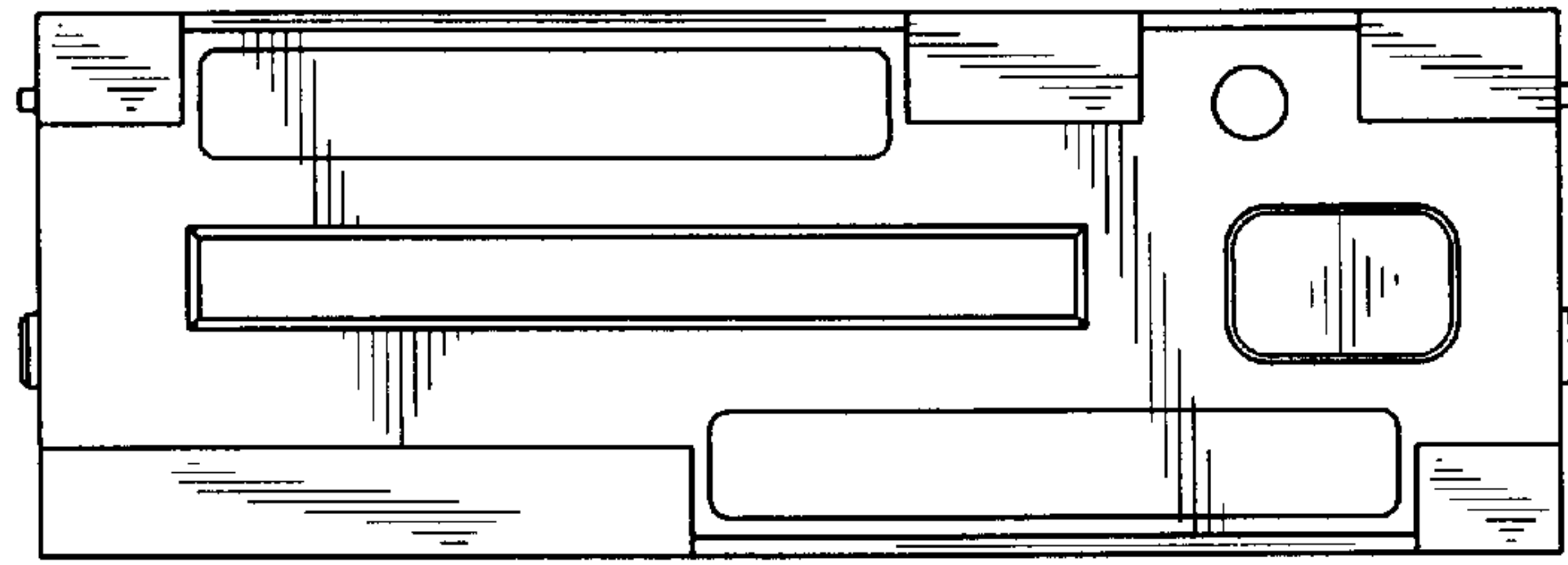


FIG. 4

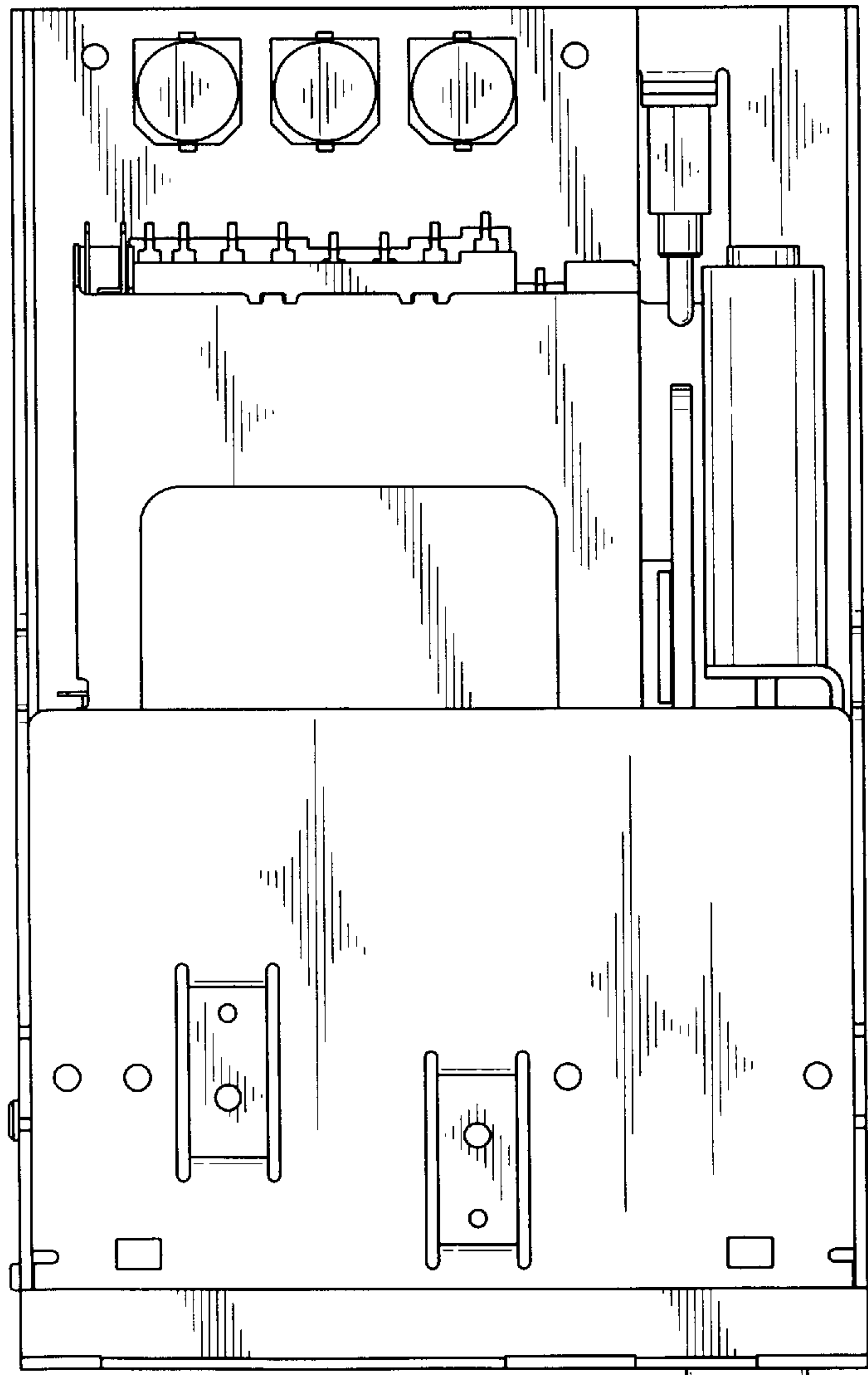


FIG. 5

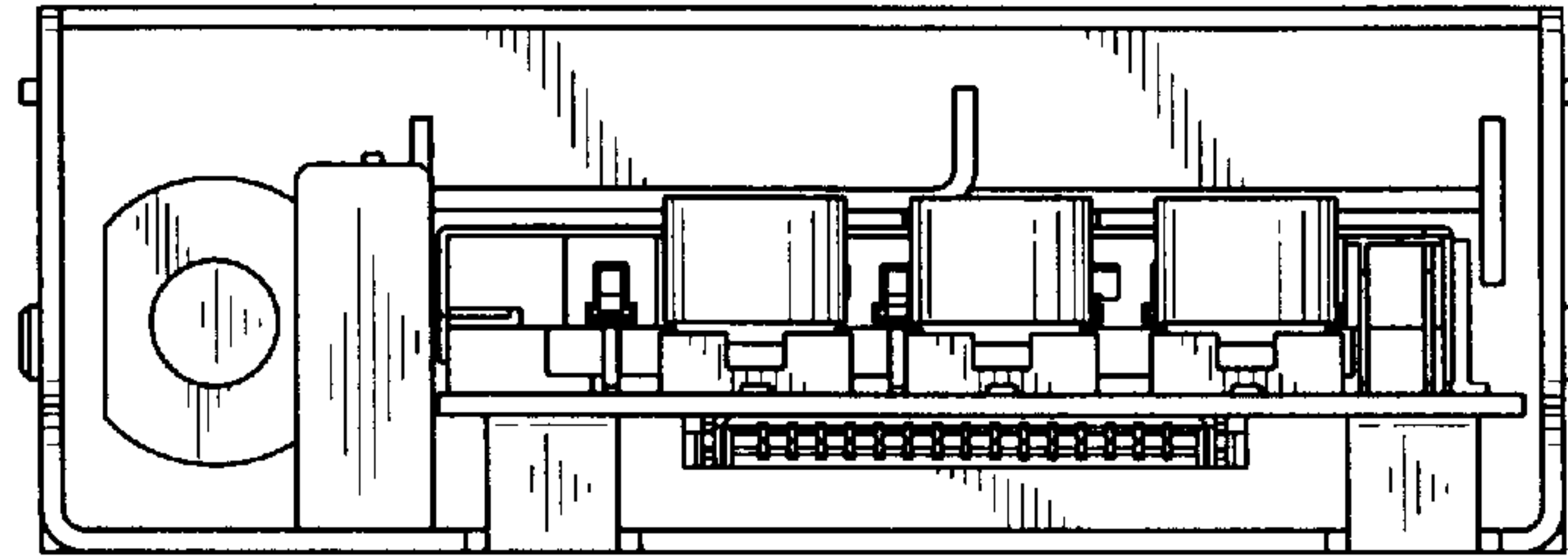


FIG. 6

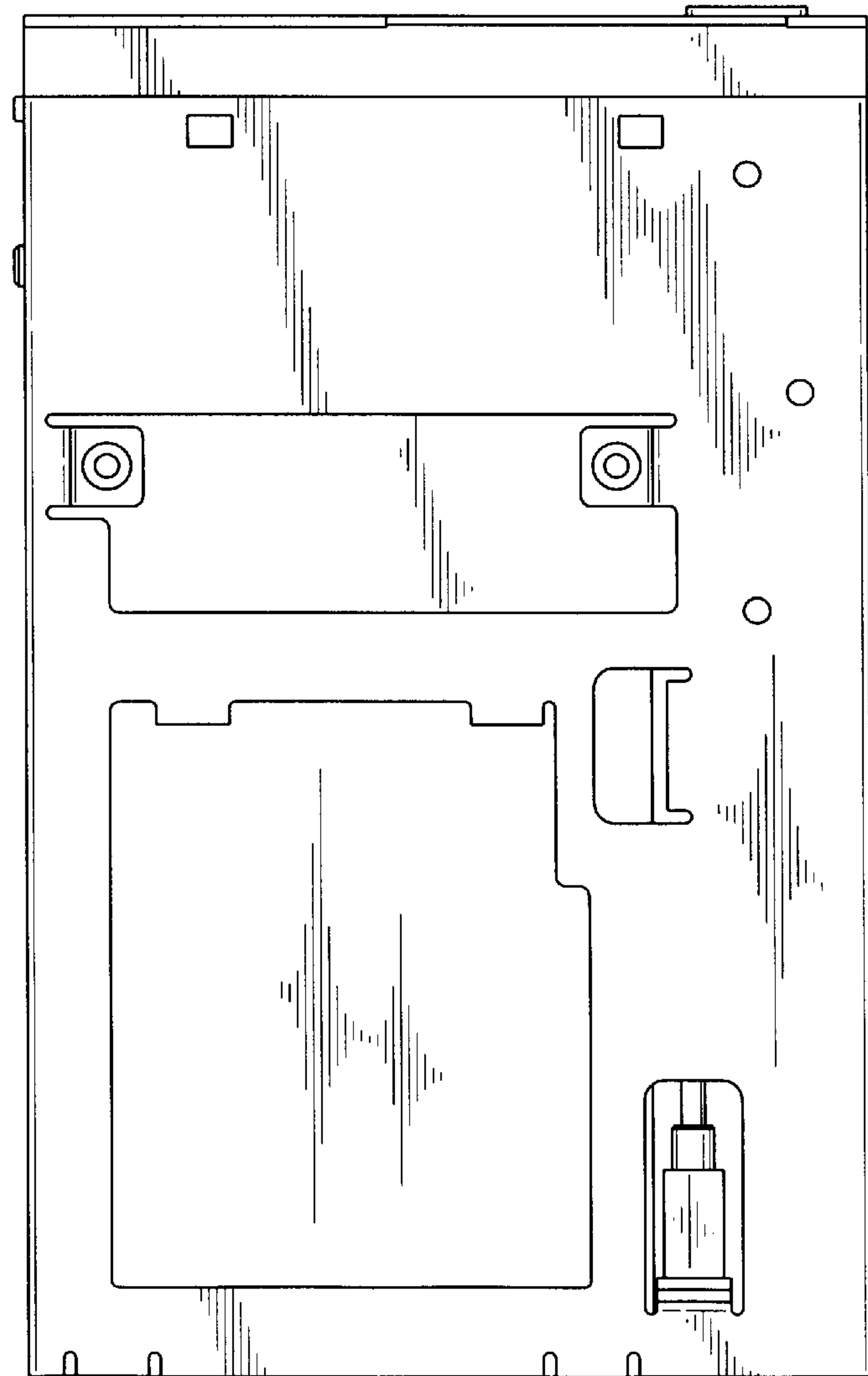


FIG. 7

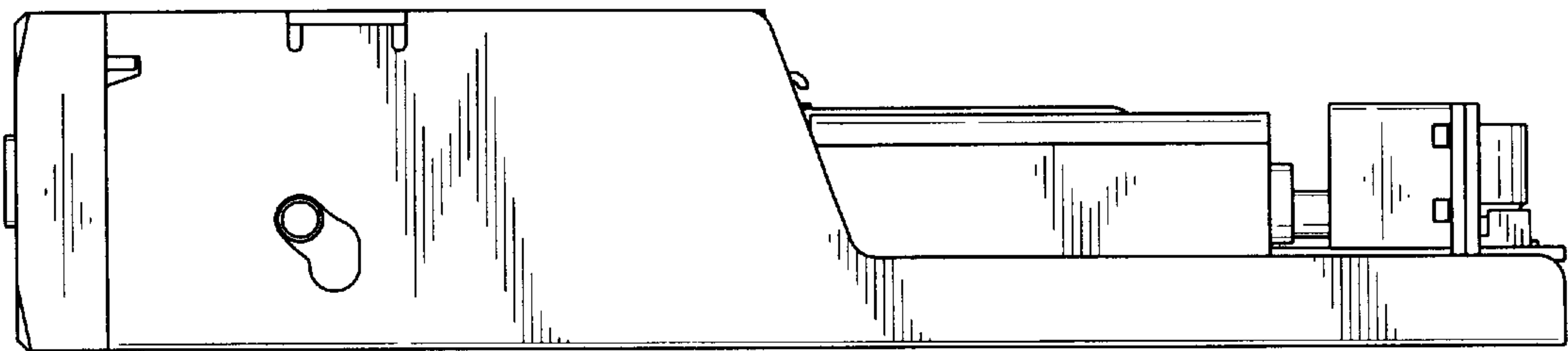


FIG. 8

