



US00D482691S

(12) **United States Design Patent**  
**McClelland, II et al.**

(10) **Patent No.:** **US D482,691 S**

(45) **Date of Patent:** **\*\* Nov. 25, 2003**

(54) **SERVER BLADE**

(75) Inventors: **Belgie Brian McClelland, II**, Houston, TX (US); **Scott R. Gant**, Houston, TX (US)

(73) Assignee: **Hewlett-Packard Development Company, L.P.**, Houston, TX (US)

(\*\*) Term: **14 Years**

(21) Appl. No.: **29/164,607**

(22) Filed: **Jul. 26, 2002**

(51) **LOC (7) Cl.** ..... **14-02**

(52) **U.S. Cl.** ..... **D14/432**

(58) **Field of Search** ..... D14/301, 367, D14/432, 435, 436, 313, 438; D13/162, 184, 199; 360/99.01-99.12; 369/34.01, 36.01; 361/690-696

(56) **References Cited**

**U.S. PATENT DOCUMENTS**

D303,958 S \* 10/1989 Cranston et al. .... D14/435  
D304,178 S \* 10/1989 Cranston et al. .... D14/367

D348,257 S \* 6/1994 Wingate ..... D14/313  
D376,135 S \* 12/1996 Sharp ..... D14/438  
D458,924 S \* 6/2002 Tsuyuki et al. .... D14/367

\* cited by examiner

*Primary Examiner*—Freda Nunn

(57) **CLAIM**

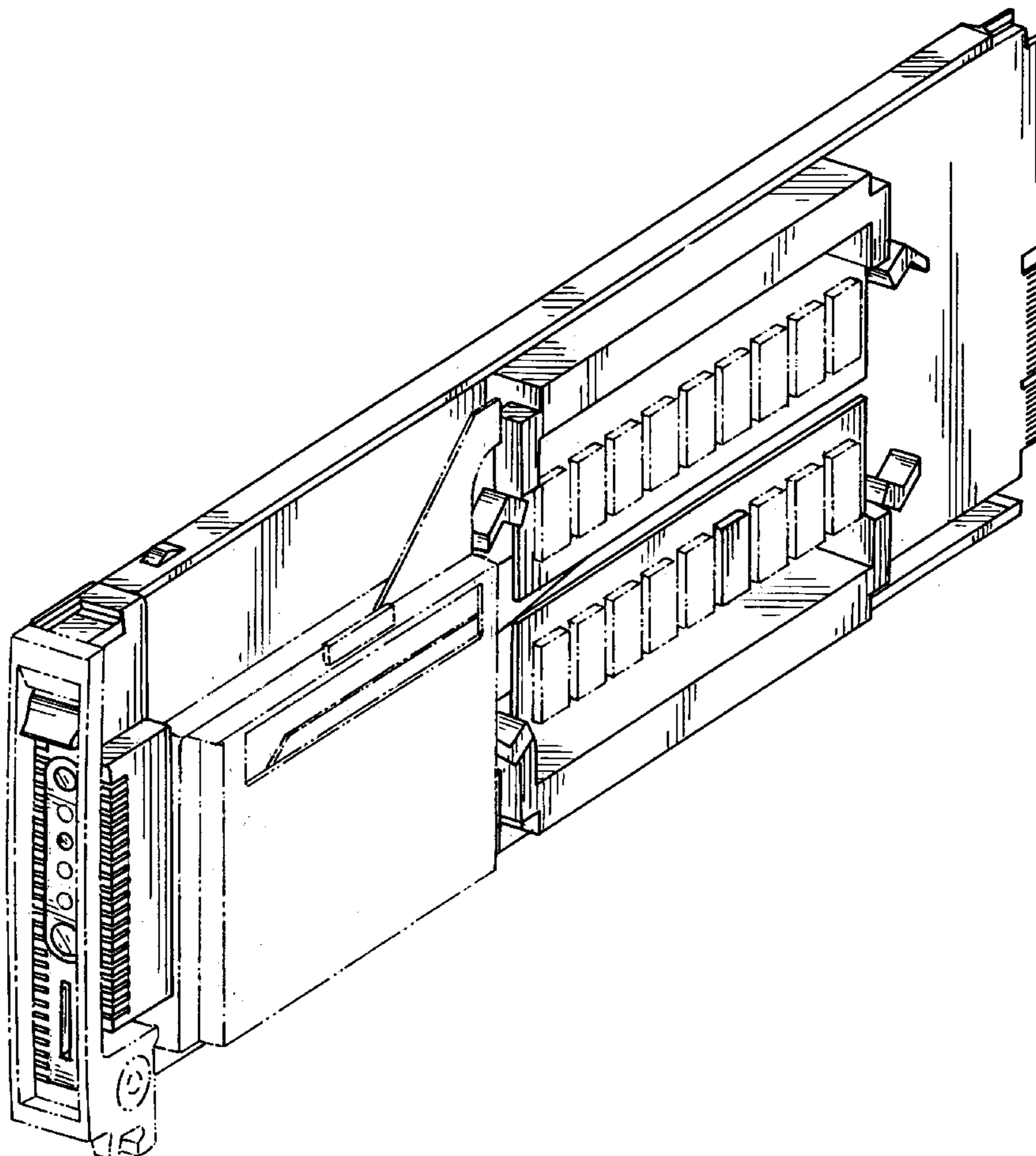
The ornamental design for a server blade, as shown and described.

**DESCRIPTION**

FIG. 1 is a top, front and right side perspective view of a server blade in accordance with our design; FIG. 2 is a right side elevational view thereof; FIG. 3 is a left side elevational view thereof; FIG. 4 is a front elevational view thereof; FIG. 5 is a back elevational view thereof; FIG. 6 is a top plan view thereof; and, FIG. 7 is a bottom plan view thereof.

The components that are depicted in broken lines are for illustrative purposes only and form no part of the claimed design.

**1 Claim, 5 Drawing Sheets**



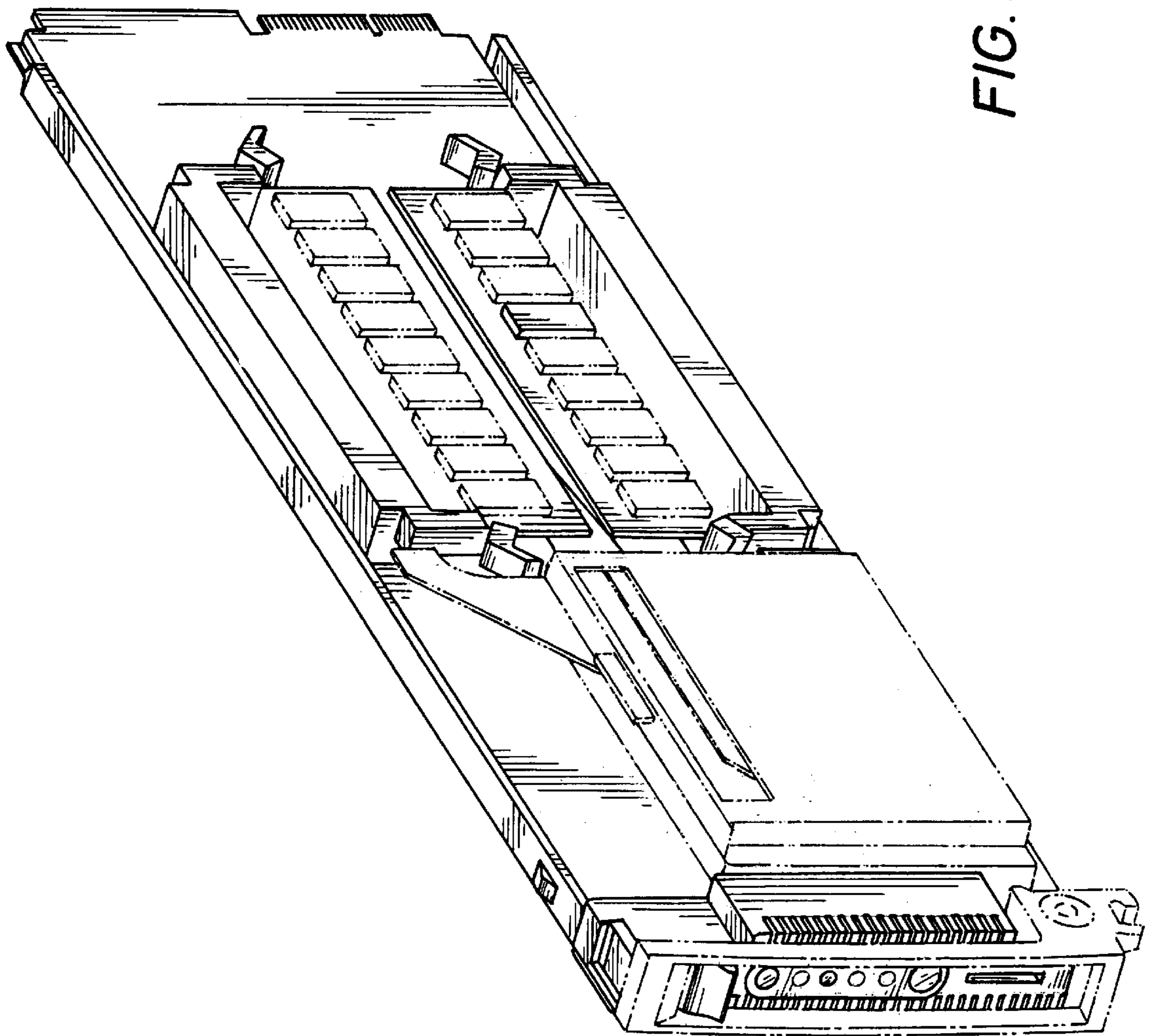


FIG. 1

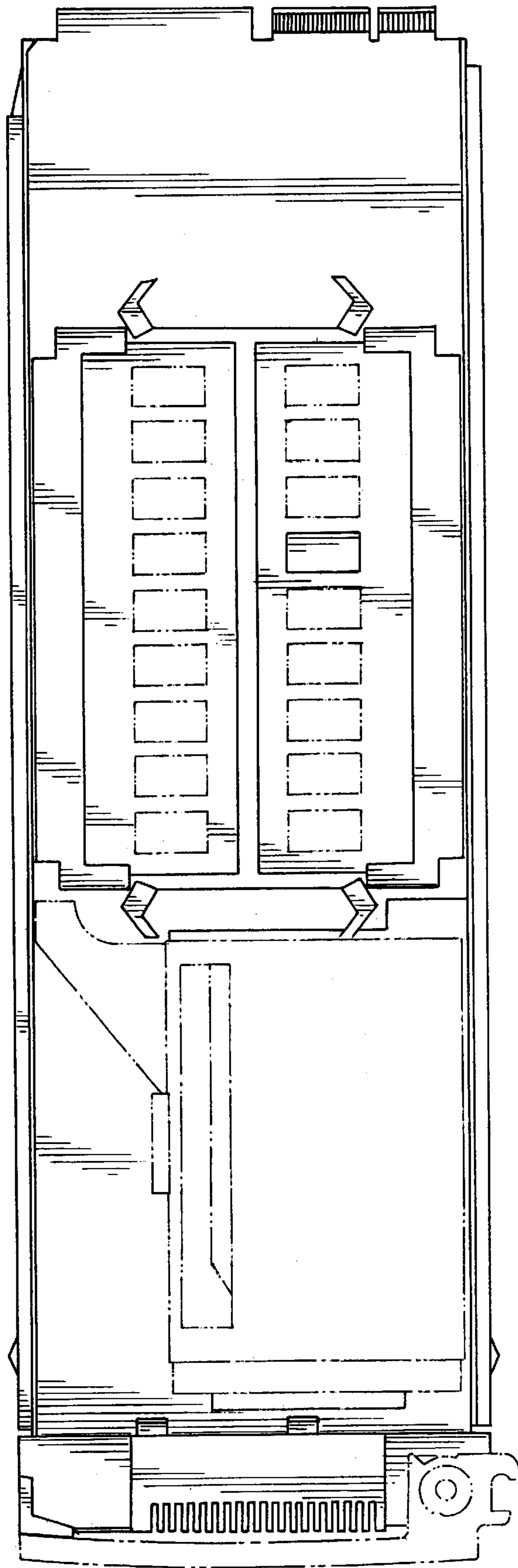


FIG. 2

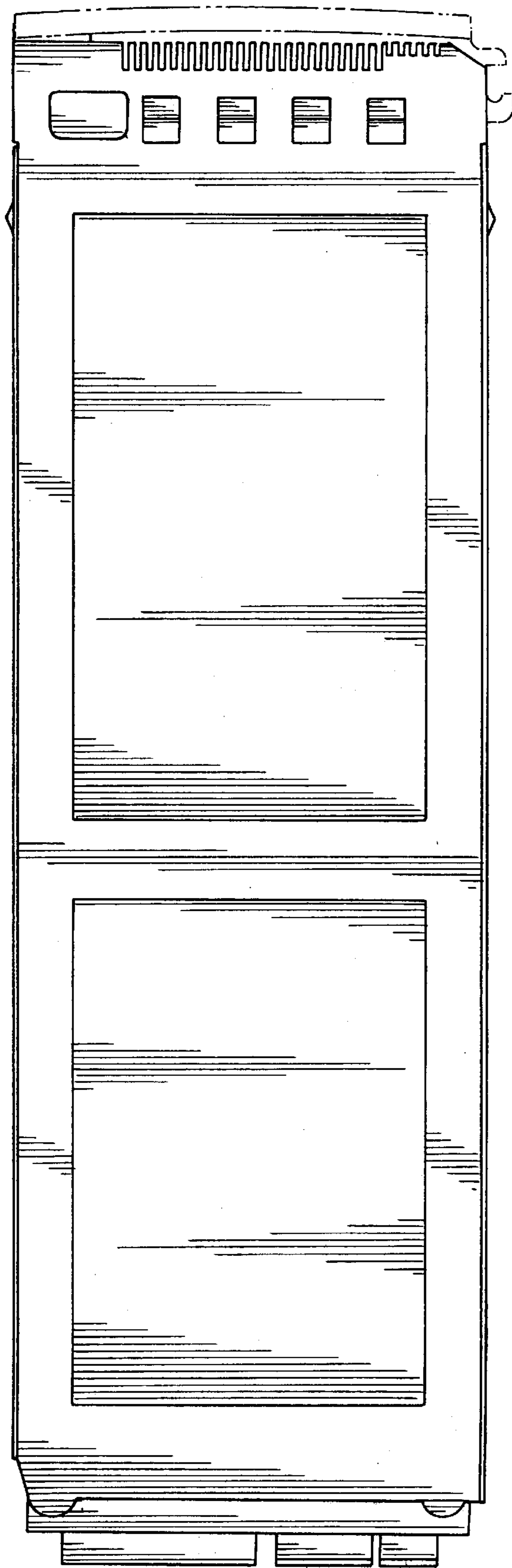


FIG. 3

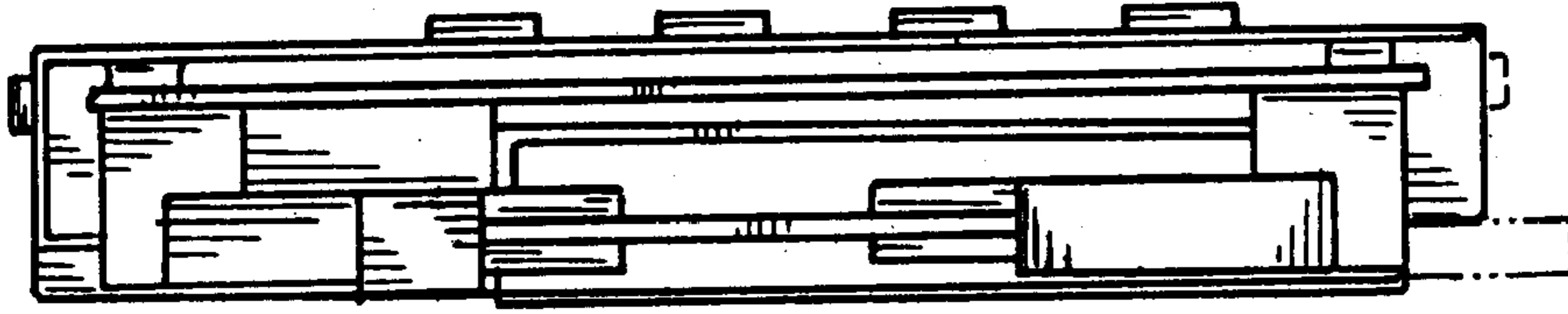


FIG. 5

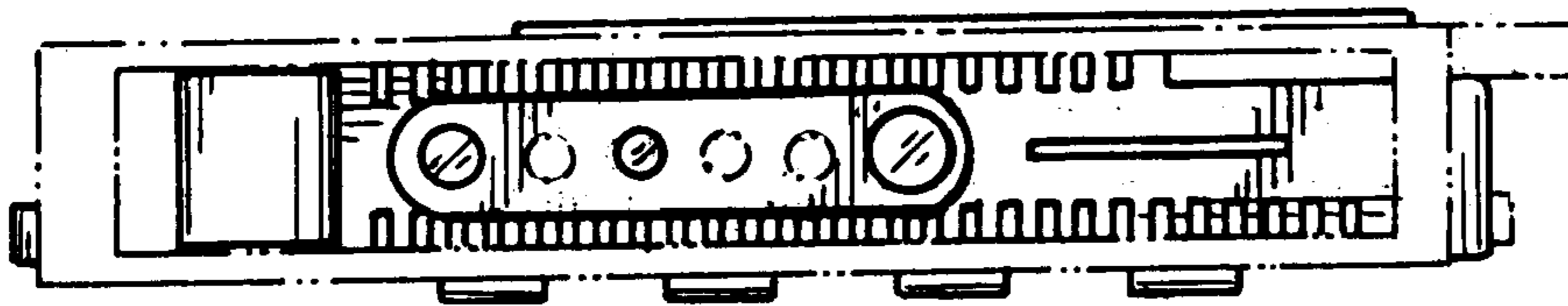


FIG. 4

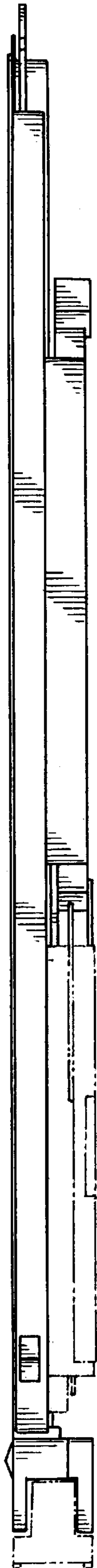


FIG. 6

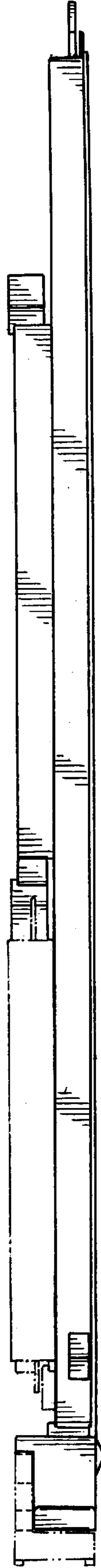


FIG. 7