



US00D482689S

(12) **United States Design Patent**
Goto

(10) **Patent No.:** **US D482,689 S**

(45) **Date of Patent:** **** Nov. 25, 2003**

(54) **KEYBOARD**

(75) Inventor: **Teiyu Goto**, Tokyo (JP)

(73) Assignee: **Sony Computer Entertainment Inc.**,
Tokyo (JP)

(**) Term: **14 Years**

(21) Appl. No.: **29/173,921**

(22) Filed: **Jan. 9, 2003**

D428,010 S 7/2000 Jones
D439,902 S 4/2001 Oba
D440,969 S 4/2001 Tsai
D471,196 S * 3/2003 Goto D14/392

FOREIGN PATENT DOCUMENTS

JP 651527 S 5/1985
JP 779507 S 1/1990
JP 998670 S 12/1997
JP 1088935 S 10/2000

OTHER PUBLICATIONS

“Can Technology Co., Ltd,” Computer Trade, p. 1. (Sep. 1998).

“Computer Products”, Asian Sources pp. 408, (Jan. 1996).

Catalog, “VAIO RX,” Sony (Jan., 2001).

Catalog, “VAIO LX,” Sony (Jan., 2001).

Catalog, “Good Morning VAIO,” Sony (Jan., 2001).

(List continued on next page.)

Primary Examiner—Freda Nunn

(74) *Attorney, Agent, or Firm*—Rader, Fishman & Grauer
PLLC

Related U.S. Application Data

(62) Division of application No. 29/142,591, filed on May 31, 2003, now Pat. No. Des. 471,196.

(30) **Foreign Application Priority Data**

Feb. 20, 2001 (JP) 2001-003925
Feb. 20, 2001 (JP) 2001-003926
Feb. 20, 2001 (JP) 2001-003927
Feb. 20, 2001 (JP) 2001-003928
Feb. 20, 2001 (JP) 2001-003929
Feb. 20, 2001 (JP) 2001-003930

(51) **LOC (7) Cl.** **14-02**

(52) **U.S. Cl.** **D14/392**

(58) **Field of Search** D14/391, 392,
D14/394, 396, 398; D18/1, 2, 7; 200/5 A,
5 R, 6 R, 6 A; 235/145 A, 145 R; 345/160,
168; 341/22, 23; 400/484–486, 488, 489,
492

(56) **References Cited**

U.S. PATENT DOCUMENTS

D289,761 S 5/1987 Matulock et al.
D308,200 S 5/1990 Sottsass
D313,402 S 1/1991 Esslinger
D316,405 S 4/1991 Yoshitake
D324,860 S 3/1992 Oshima
D330,199 S 10/1992 Mendel et al.
D390,557 S 2/1998 Vogel et al.
D412,324 S 7/1999 Oba
D422,963 S 4/2000 Hakoda

(57) **CLAIM**

The ornamental design for a keyboard, as shown and described.

DESCRIPTION

FIG. 1 is a front elevational view of a keyboard showing my new design;

FIG. 2 is a rear elevational view thereof;

FIG. 3 is a left side elevational view thereof;

FIG. 4 is a right side elevational thereof;

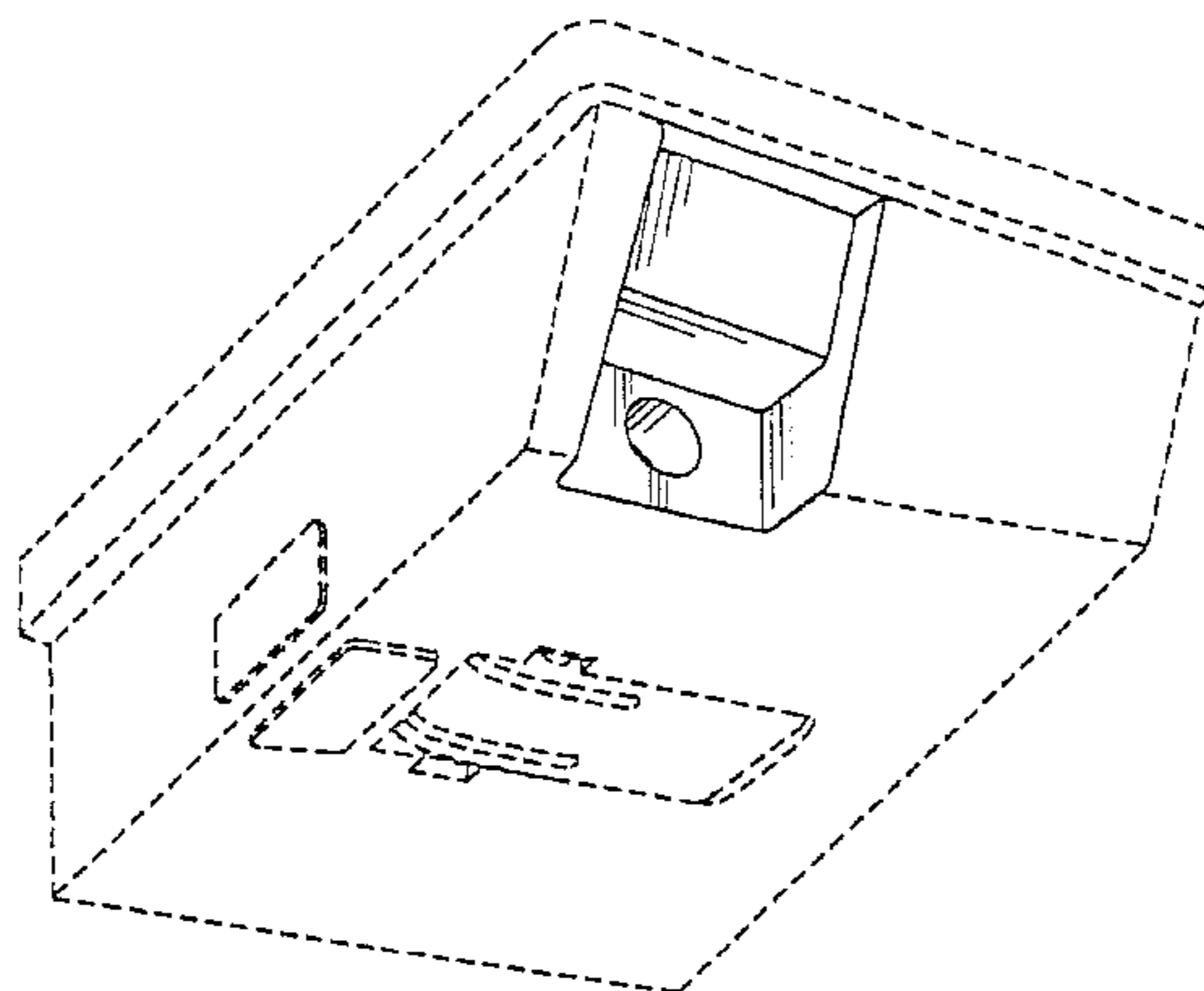
FIG. 5 is a top plan view thereof;

FIG. 6 is a bottom plan view thereof; and,

FIG. 7 is an enlarged partial perspective view taken along line 7—7 of FIG. 6.

The broken lines are shown in the views for illustrative purposes only and form no part of the claimed design.

1 Claim, 3 Drawing Sheets



OTHER PUBLICATIONS

Catalog, "Good Morning VAIO," Sony (Sep., 2000).

Catalog, "MX, Desktop Entertainment, VAIO," Sony (Feb., 2001).

Catalog, "VAIO LX," VAIO PCV-LX71/BP, 1 sheet, Sony (Jan. 2001).

"From A to Z, All Developed," <http://www.apple.co.jp/keyboard/index.html>, 3 sheets, Apple Computer Japan Co., Ltd. (as of Feb., 2001).

Products Catalog, vol. 5, Release 2, "Owltech Corp.," (Sep., 2000).

"Keyboard 18," Weekly ASCII Magazine, pp. 42-27, ASCII Corp. (Feb., 2001).

"Catalog," <http://www.netlaputa.ne.jp/~spital/catalog/tk-106.htm>, 4 sheets, Spital Sangyo Co., Ltd. (Feb. 15, 2001).

"Telecom Catalog," <http://www2.elecom.co.jp/shohin/TK-P2109JPWB.html>, 6 sheets, Telecom Co., Ltd. (Feb., 2001).

"Catalog," <http://www.netlaputa.ne.jp/~spital/catalog/tk-106.htm>, 1 sheet, Spital Sangyo Co., Ltd. (Feb. 22, 2001).

* cited by examiner

FIG. 1

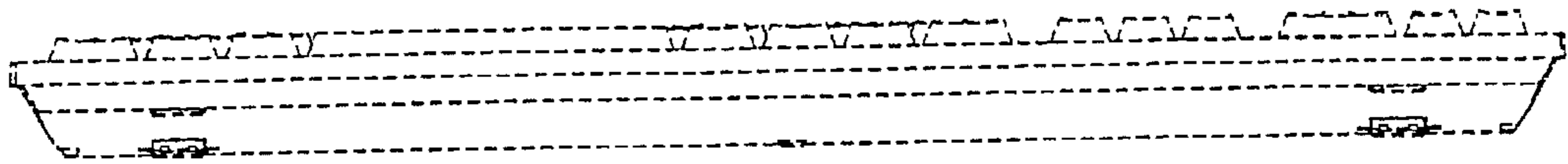


FIG. 2

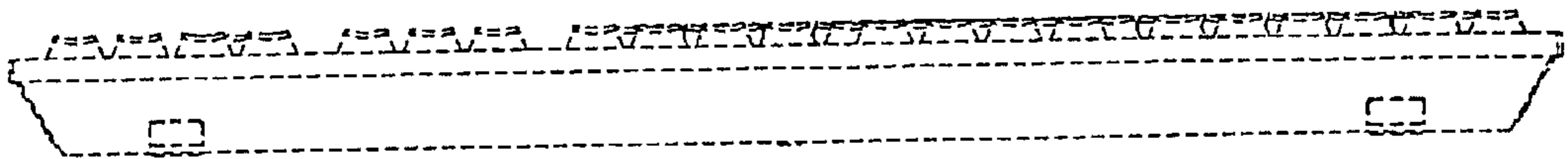


FIG. 3

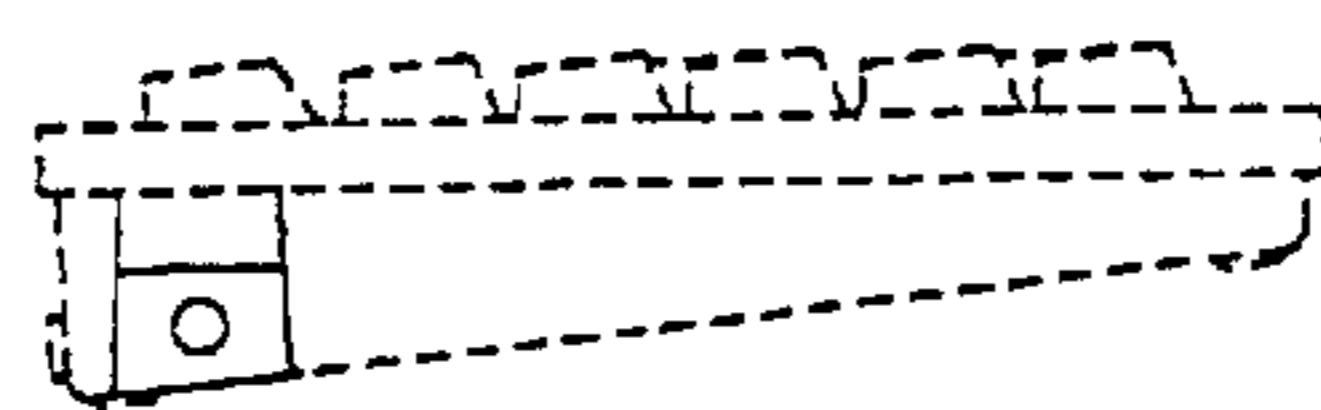


FIG. 4

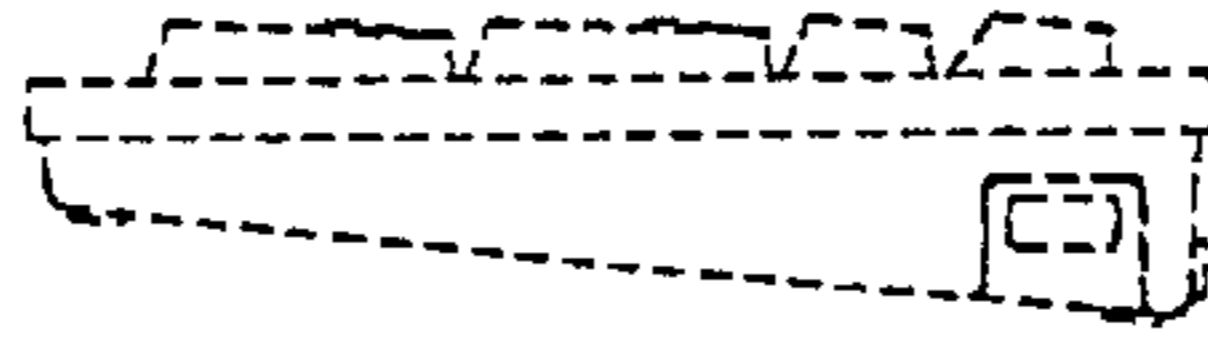


FIG. 5

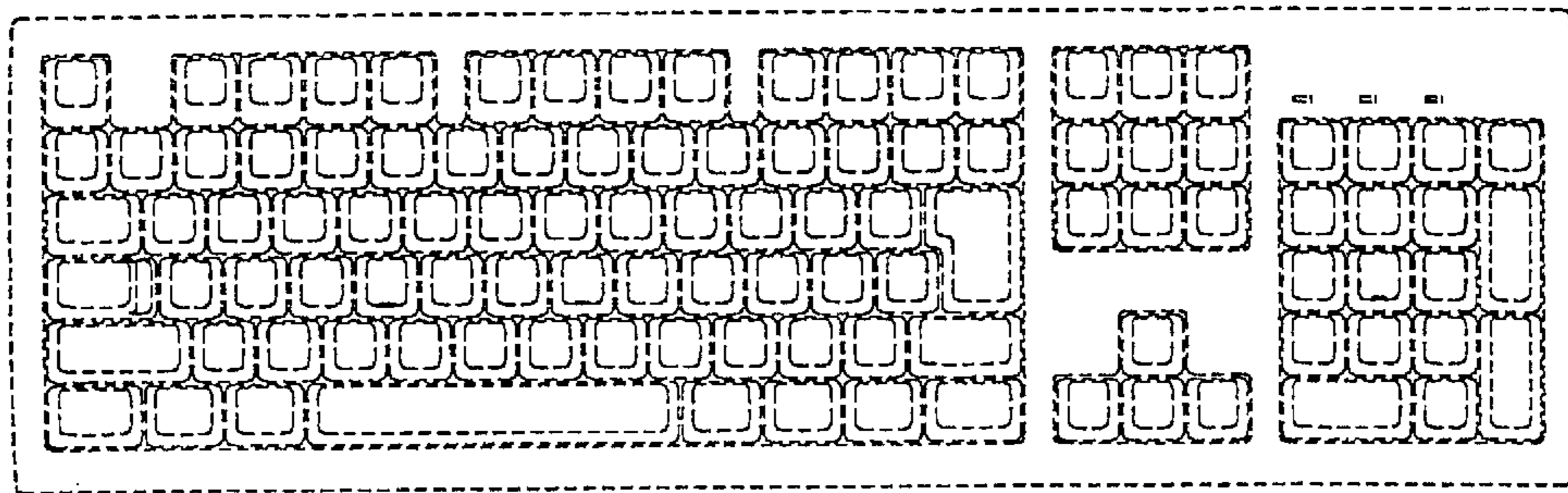


FIG. 6

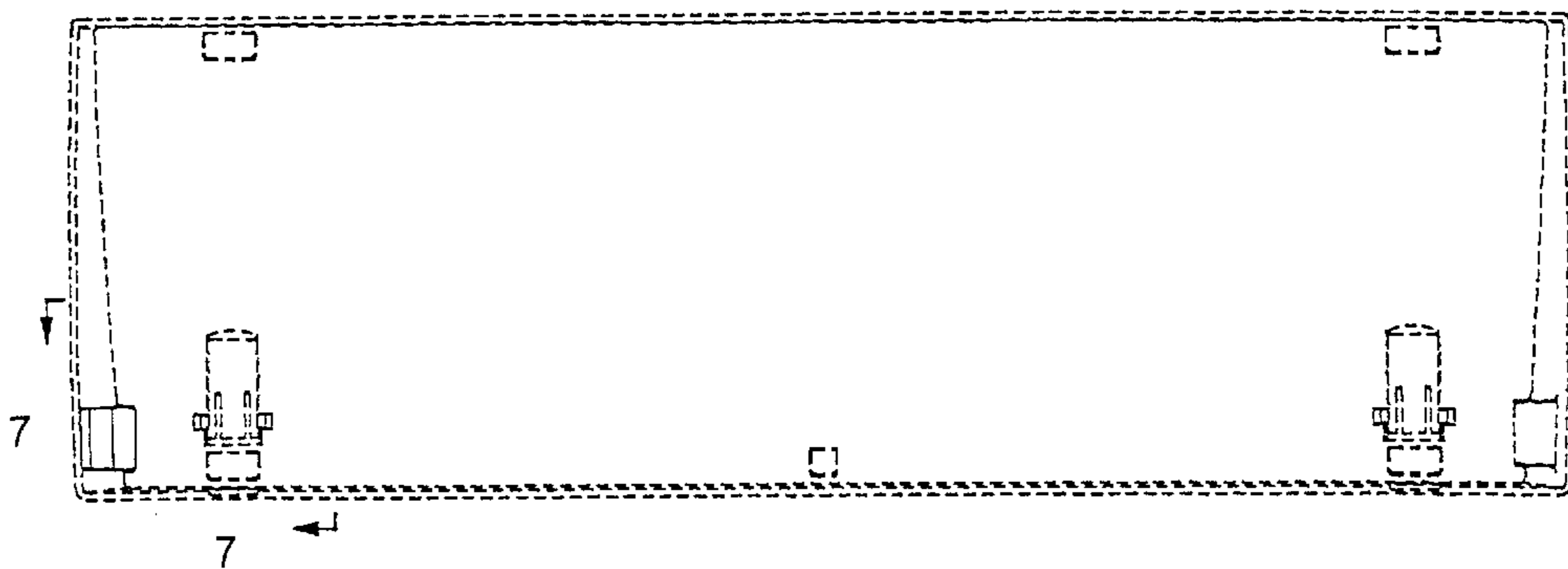
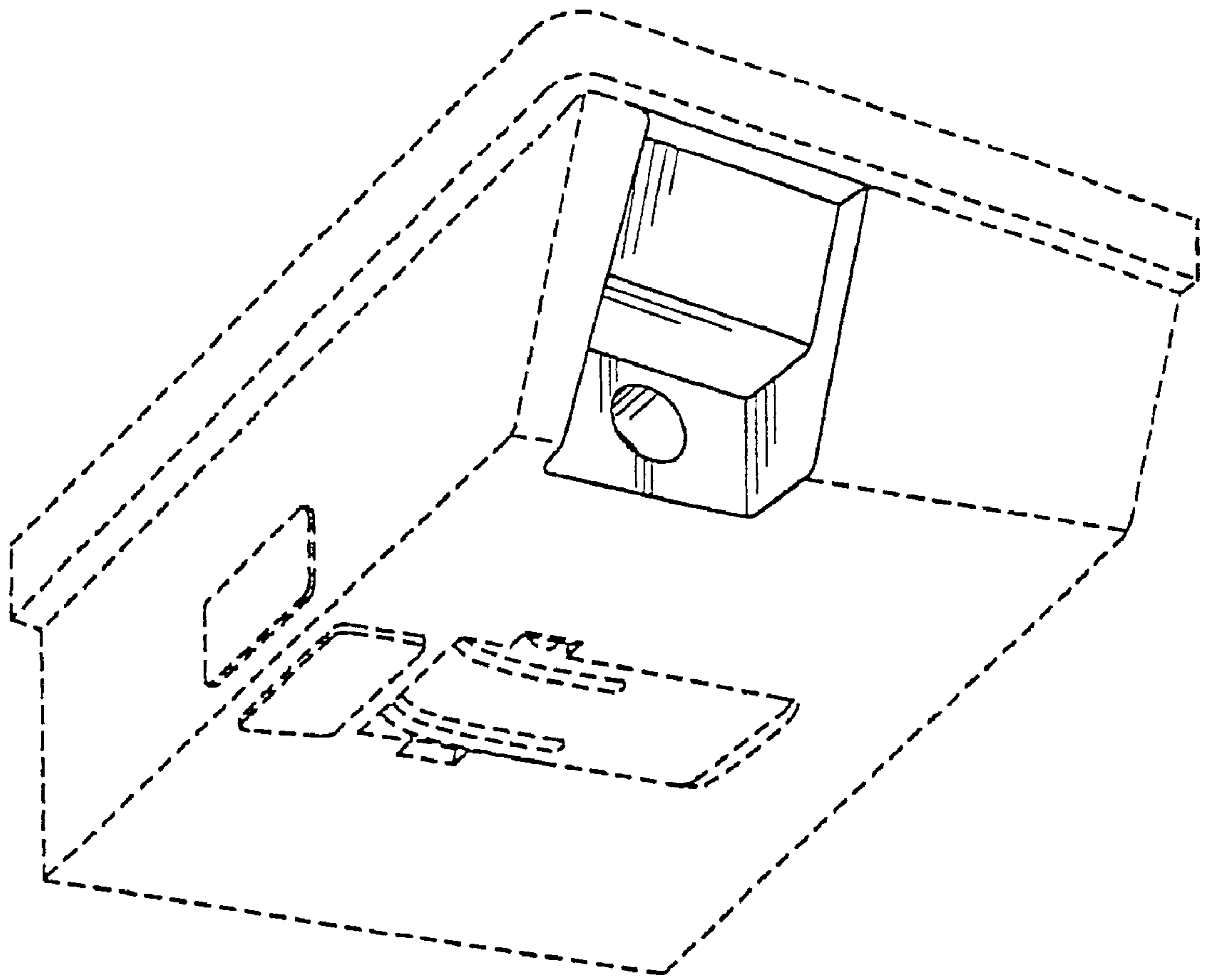


FIG. 7



UNITED STATES PATENT AND TRADEMARK OFFICE
CERTIFICATE OF CORRECTION

PATENT NO. : Des. 482,689 S
DATED : November 25, 2003
INVENTOR(S) : Teiyu Goto

Page 1 of 1

It is certified that error appears in the above-identified patent and that said Letters Patent is hereby corrected as shown below:

Title page,

Item [62], **Related U.S. Application Data**, "May 31, 2003" should read -- May 31, 2001 --.

Signed and Sealed this

Twenty-first Day of June, 2005

A handwritten signature in black ink that reads "Jon W. Dudas". The signature is written in a cursive style with a large, looped initial "J".

JON W. DUDAS

Director of the United States Patent and Trademark Office