



US00D482687S

(12) **United States Design Patent**
Chu

(10) **Patent No.:** **US D482,687 S**

(45) **Date of Patent:** **** Nov. 25, 2003**

(54) **PORTABLE COMPUTER**

(75) Inventor: **Shu-Hsien Chu**, Taipei Hsien (TW)

(73) Assignee: **Wistron Corp.** (TW)

(**) Term: **14 Years**

(21) Appl. No.: **29/154,672**

(22) Filed: **Jan. 29, 2002**

(30) **Foreign Application Priority Data**

Nov. 8, 2001 (TW) 90307168

(51) **LOC (7) Cl.** **14-02**

(52) **U.S. Cl.** **D14/316**

(58) **Field of Search** D14/316-320,
D14/322, 323, 327, 315, 342; D18/1, 2,
7; 235/145 A, 145 R; 341/22, 23; 345/104,
156, 168, 169, 173; 361/680-686; 400/486,
489; 708/141

(56) **References Cited**

U.S. PATENT DOCUMENTS

D324,676 S	*	3/1992	Iino	D14/316
5,202,844 A	*	4/1993	Kamio et al.	708/141
D336,077 S	*	6/1993	Barry et al.	D14/316
D338,879 S	*	8/1993	Iino	D14/316
D345,347 S	*	3/1994	Yamazaki	D14/322
D356,071 S	*	3/1995	Gotoh	D14/322
D395,039 S	*	6/1998	Murphy et al.	D14/342
D444,464 S	*	7/2001	Amano et al.	D14/322

D452,861 S * 1/2002 Ogasawara D14/322

* cited by examiner

Primary Examiner—Freda Nunn

(74) *Attorney, Agent, or Firm*—Michael D. Bednarek;
Shaw Pittman LLP

(57) **CLAIM**

The ornamental design for a portable computer, as shown and described.

DESCRIPTION

FIG. 1 is a perspective view of a portable computer showing my design with the computer in the closed position;

FIG. 2 is a front elevational view thereof;

FIG. 3 is a rear elevational view thereof;

FIG. 4 is a left-side elevational view thereof;

FIG. 5 is a right-side elevational view thereof;

FIG. 6 is a top plan view thereof;

FIG. 7 is a bottom view thereof;

FIG. 8 is a top plan view of the portable computer with the computer in the open position;

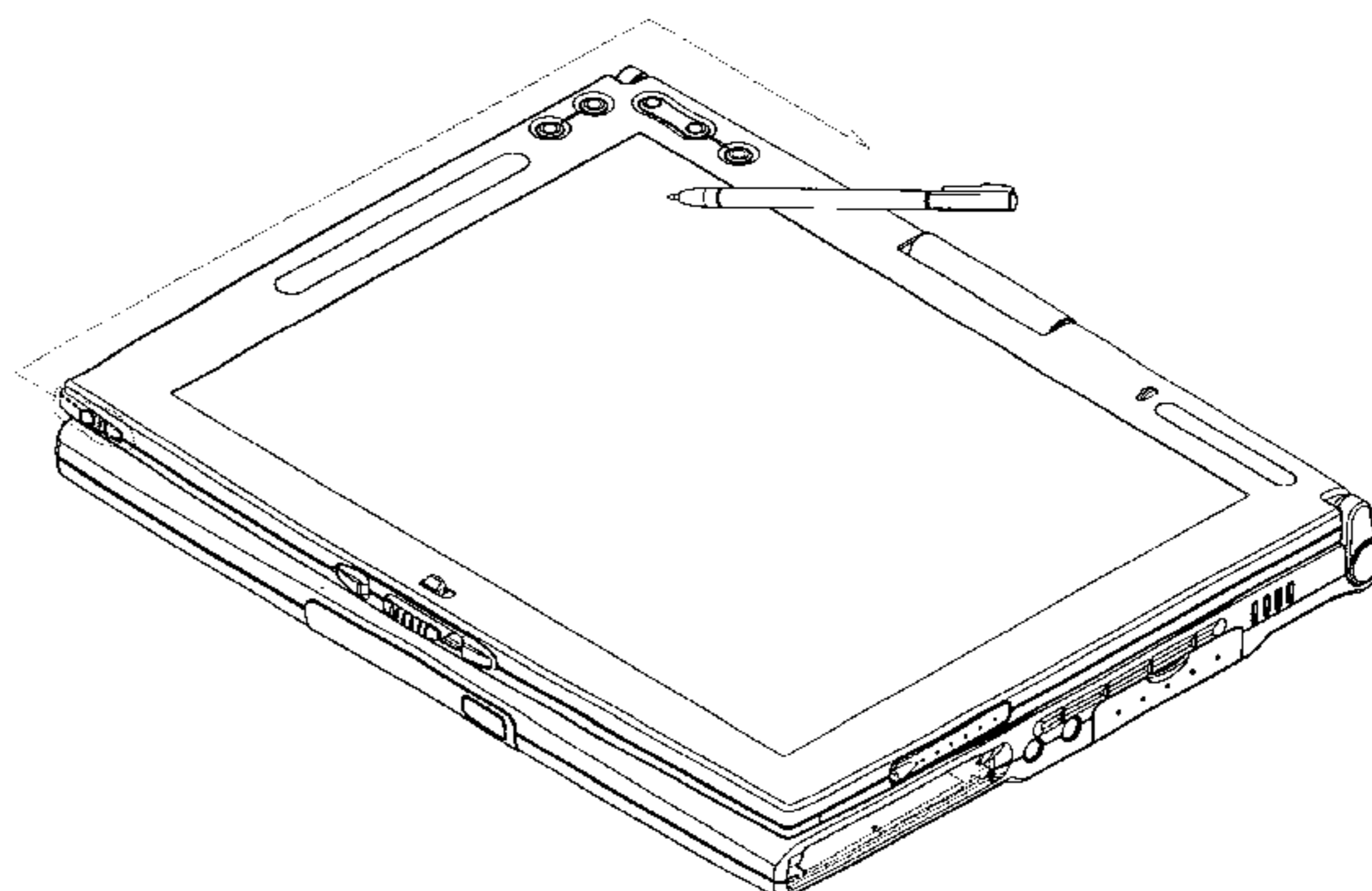
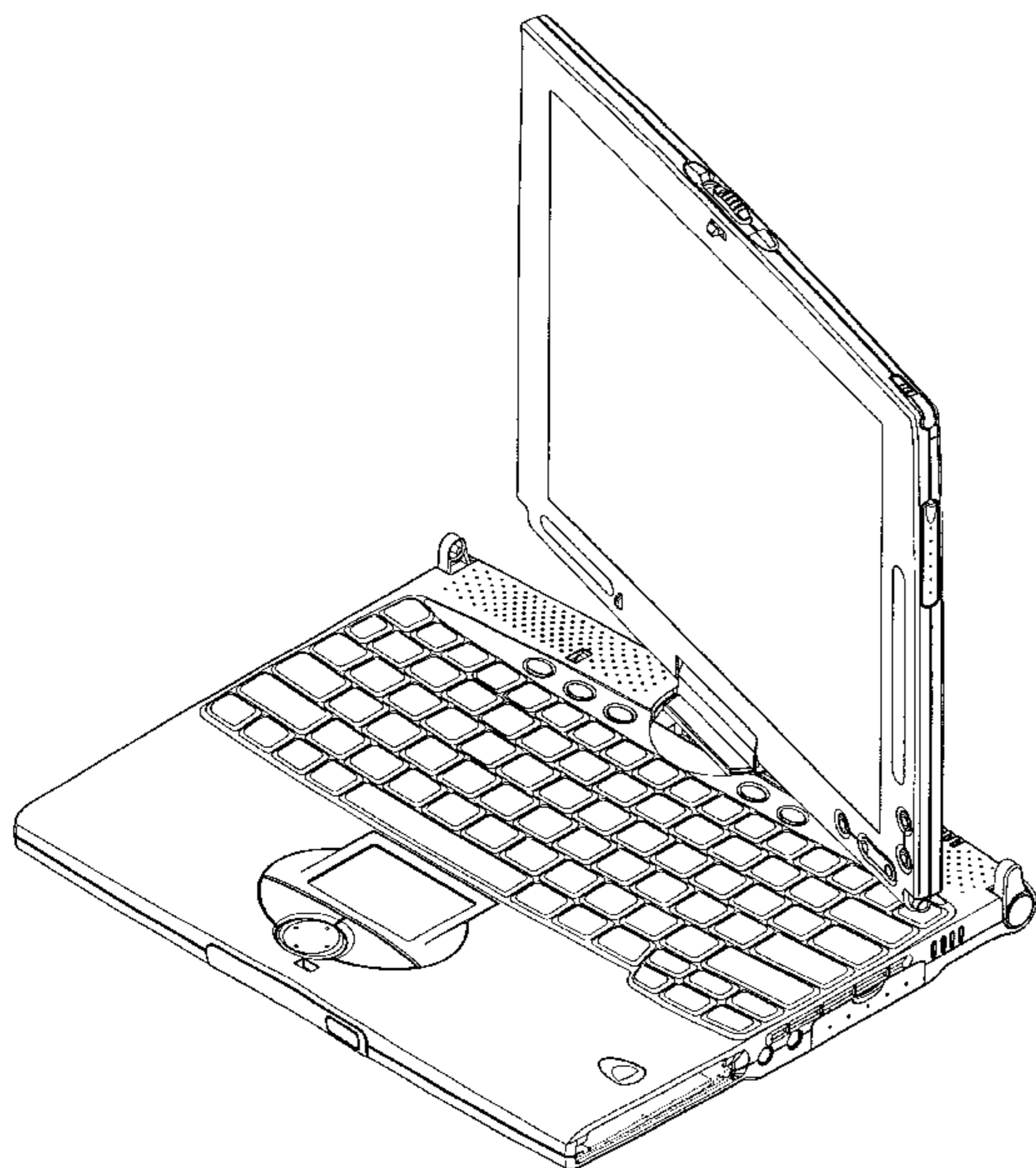
FIG. 9 is a perspective view of the portable computer with the computer in the open position;

FIG. 10 is a perspective view of the portable computer with the display of the computer being rotated at an angle; and,

FIG. 11 is a perspective view of the portable computer showing that the computer is closed with the display on the top plan of the computer.

The broken lines are shown in the views for illustrative purposes only and form no part of the claimed design.

1 Claim, 11 Drawing Sheets



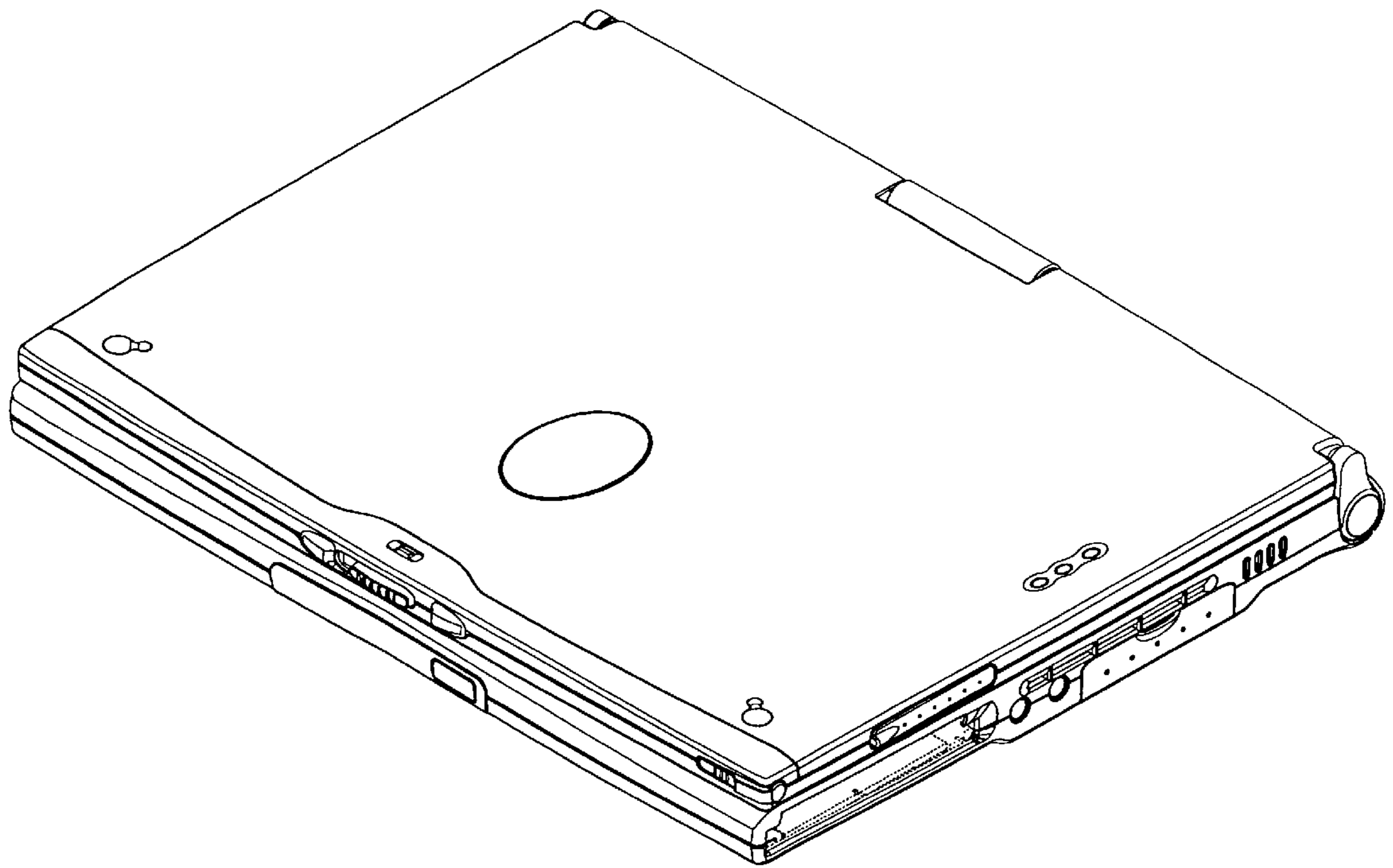


Figure 1

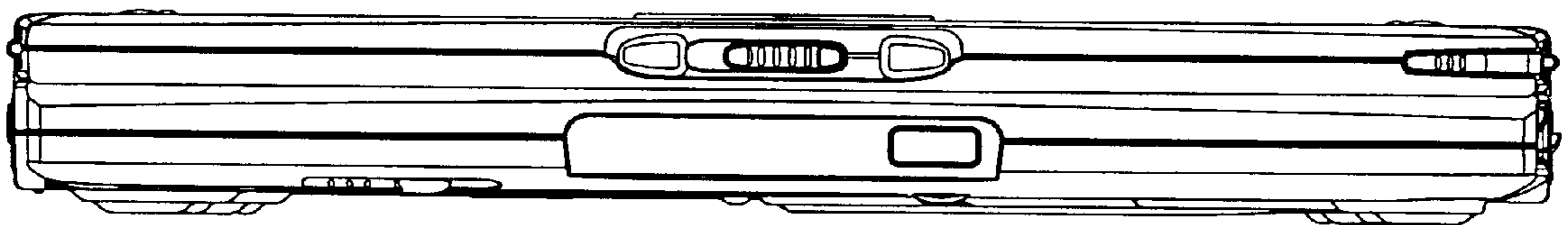


Figure 2

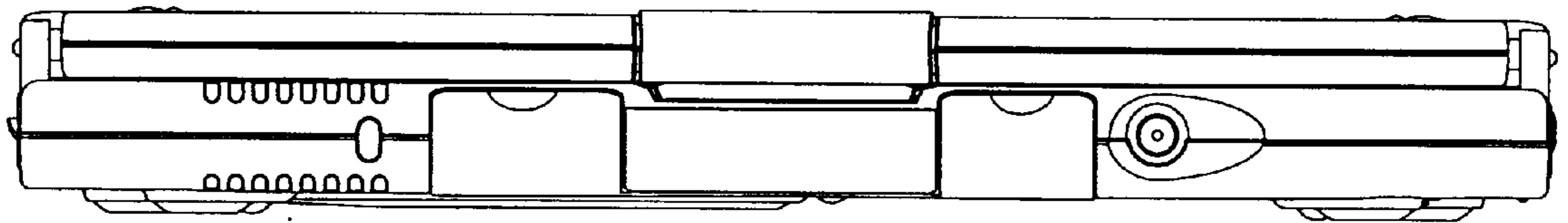


Figure 3

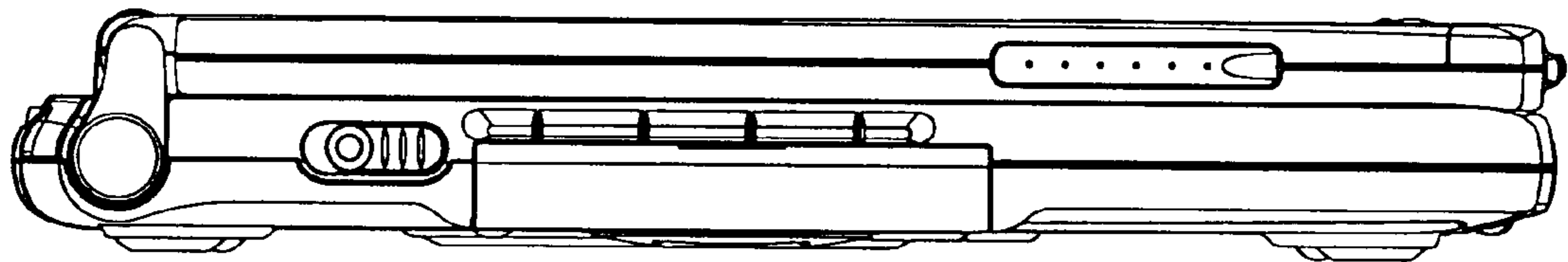


Figure 4

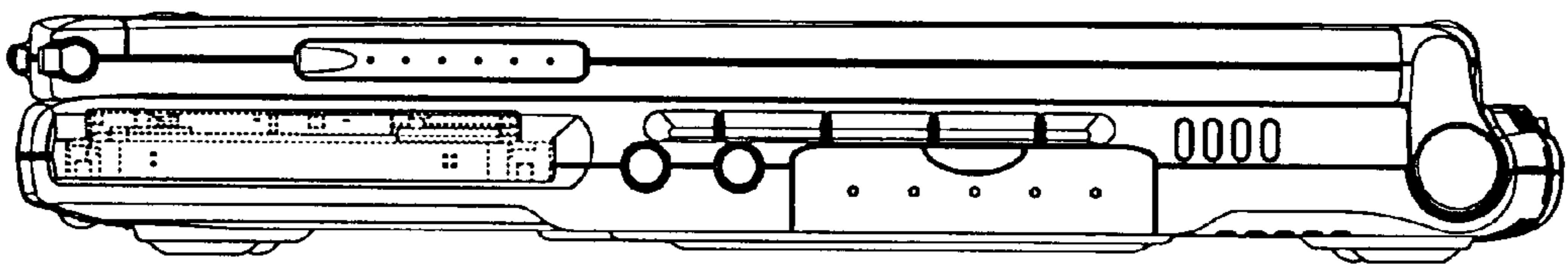


Figure 5

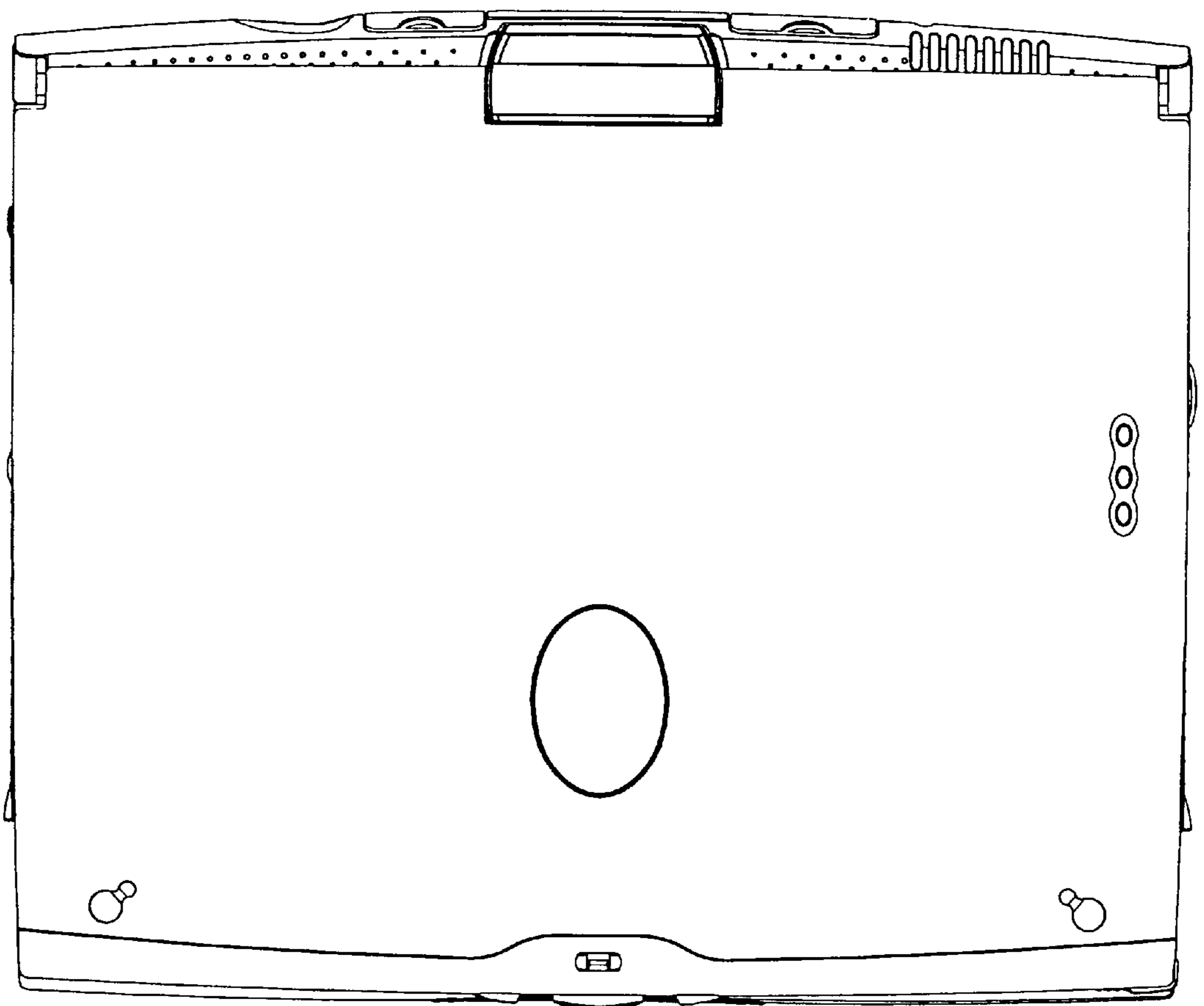


Figure 6

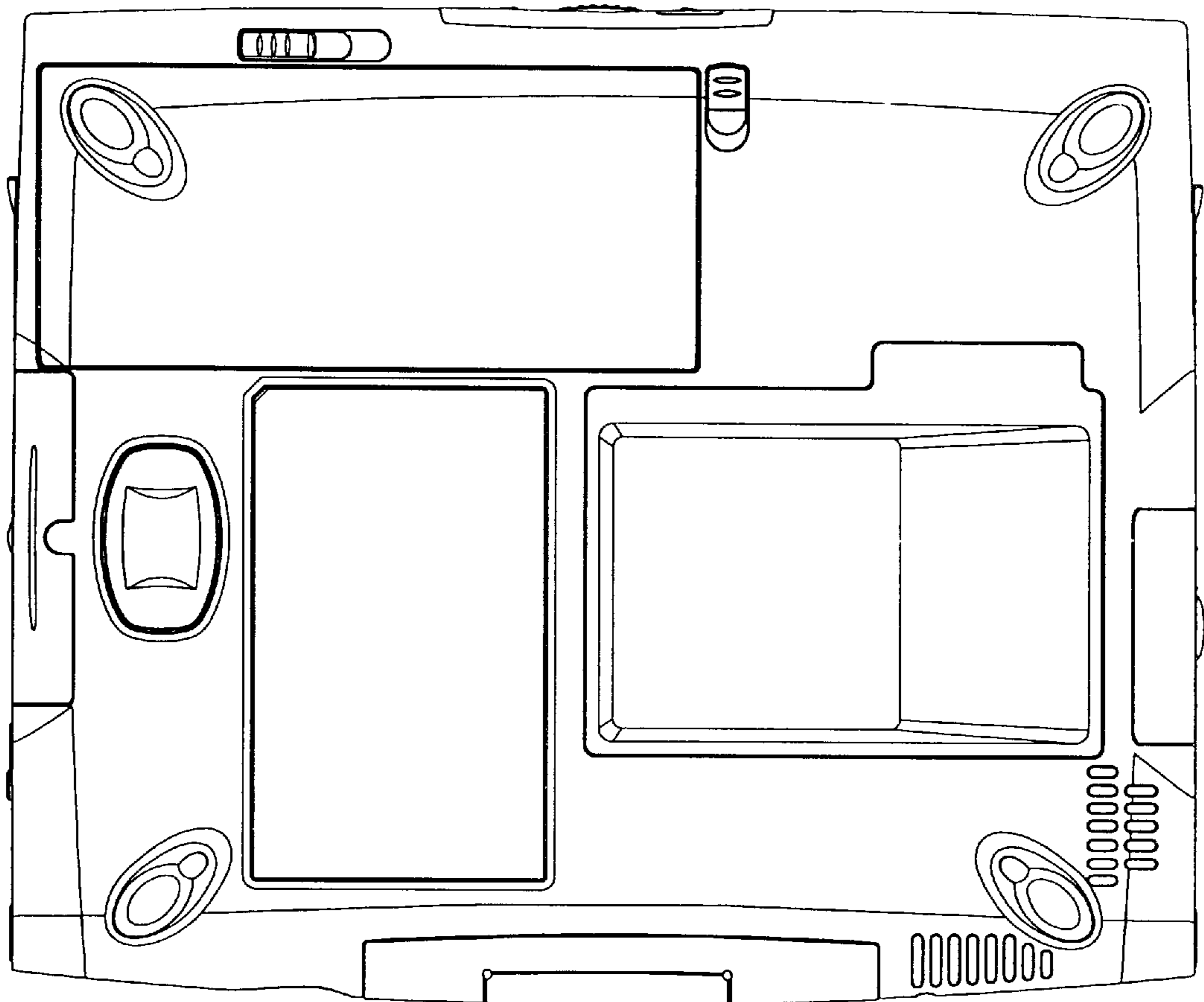


Figure 7

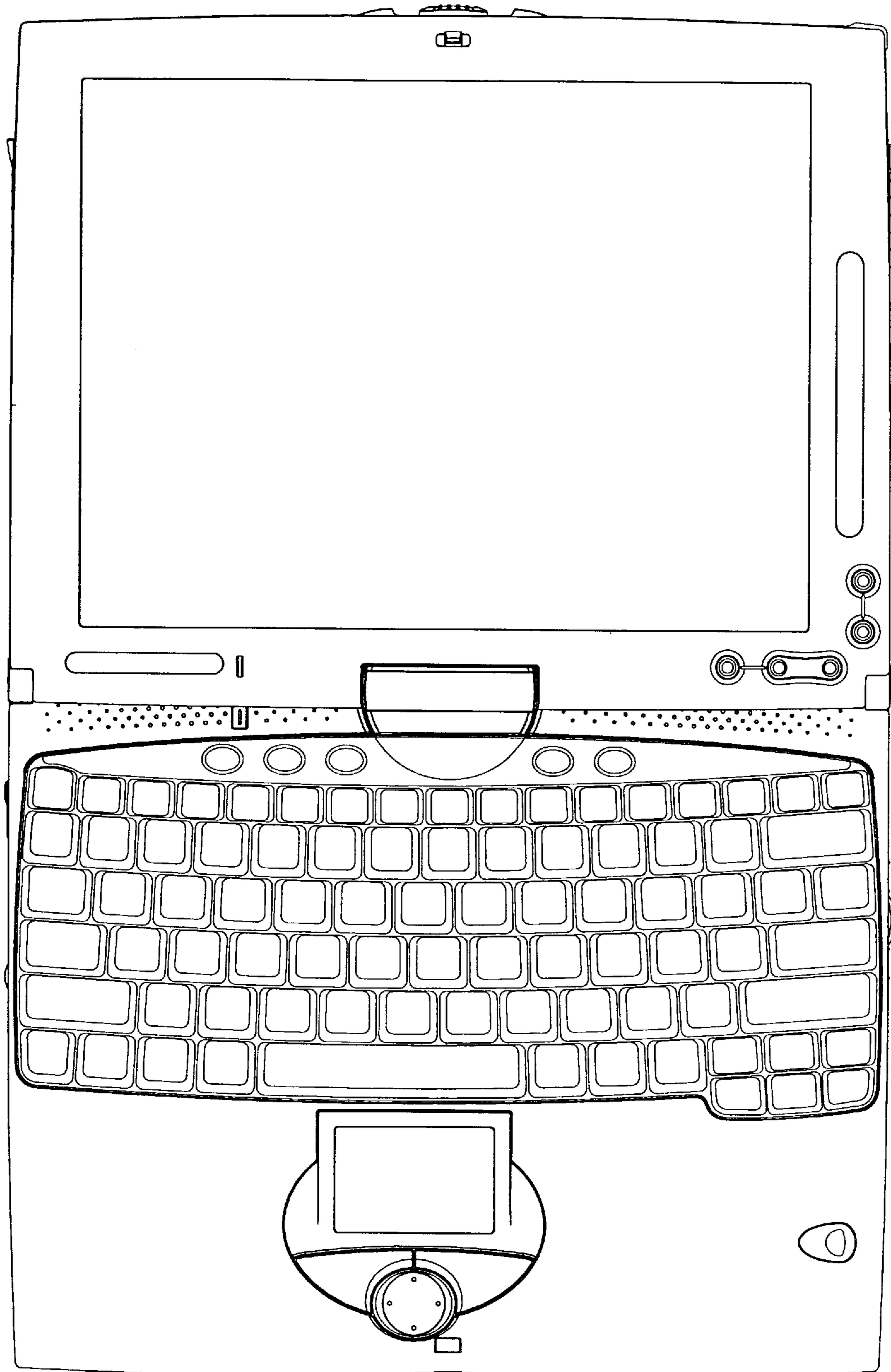


Figure 8

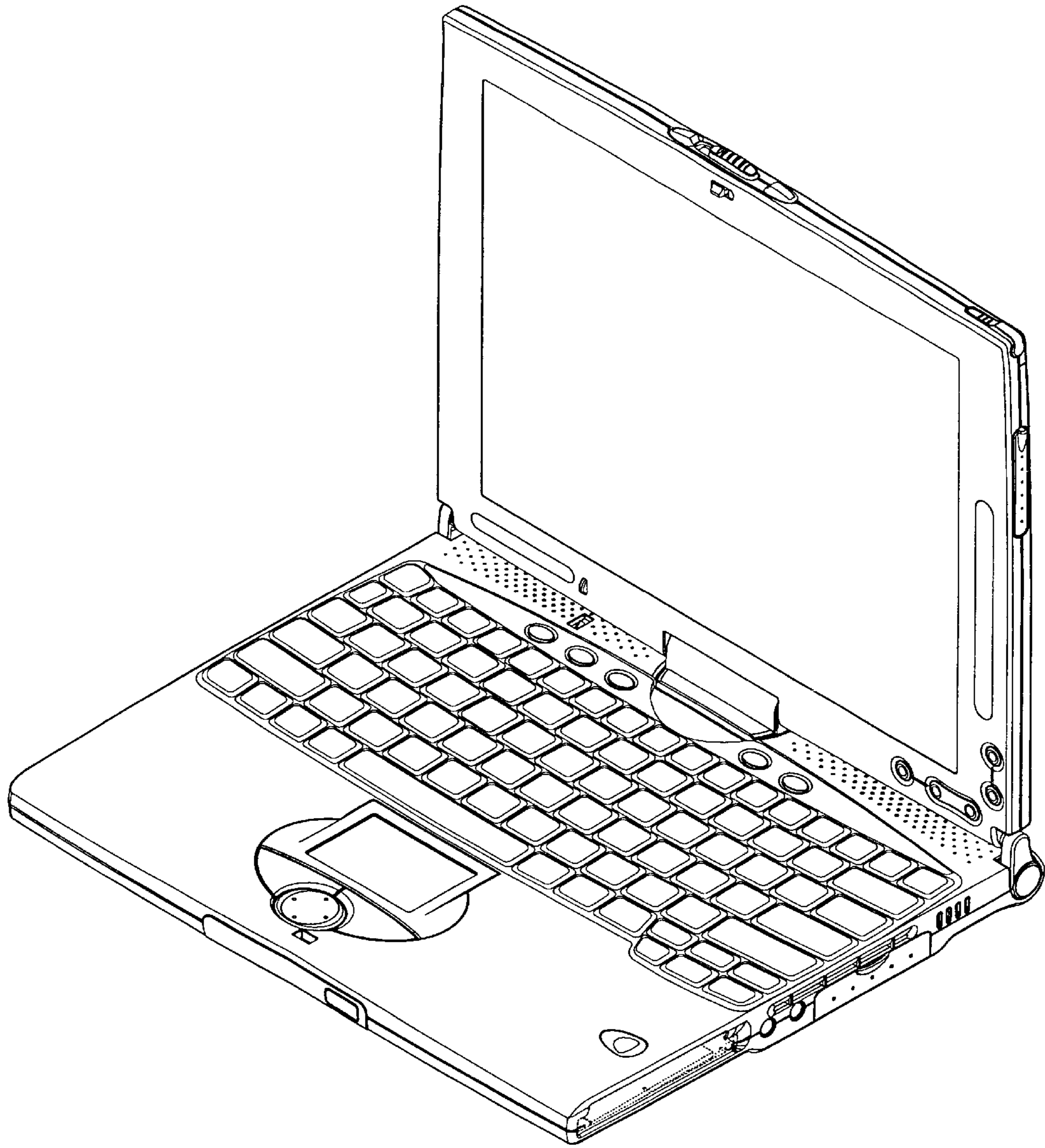


Figure 9

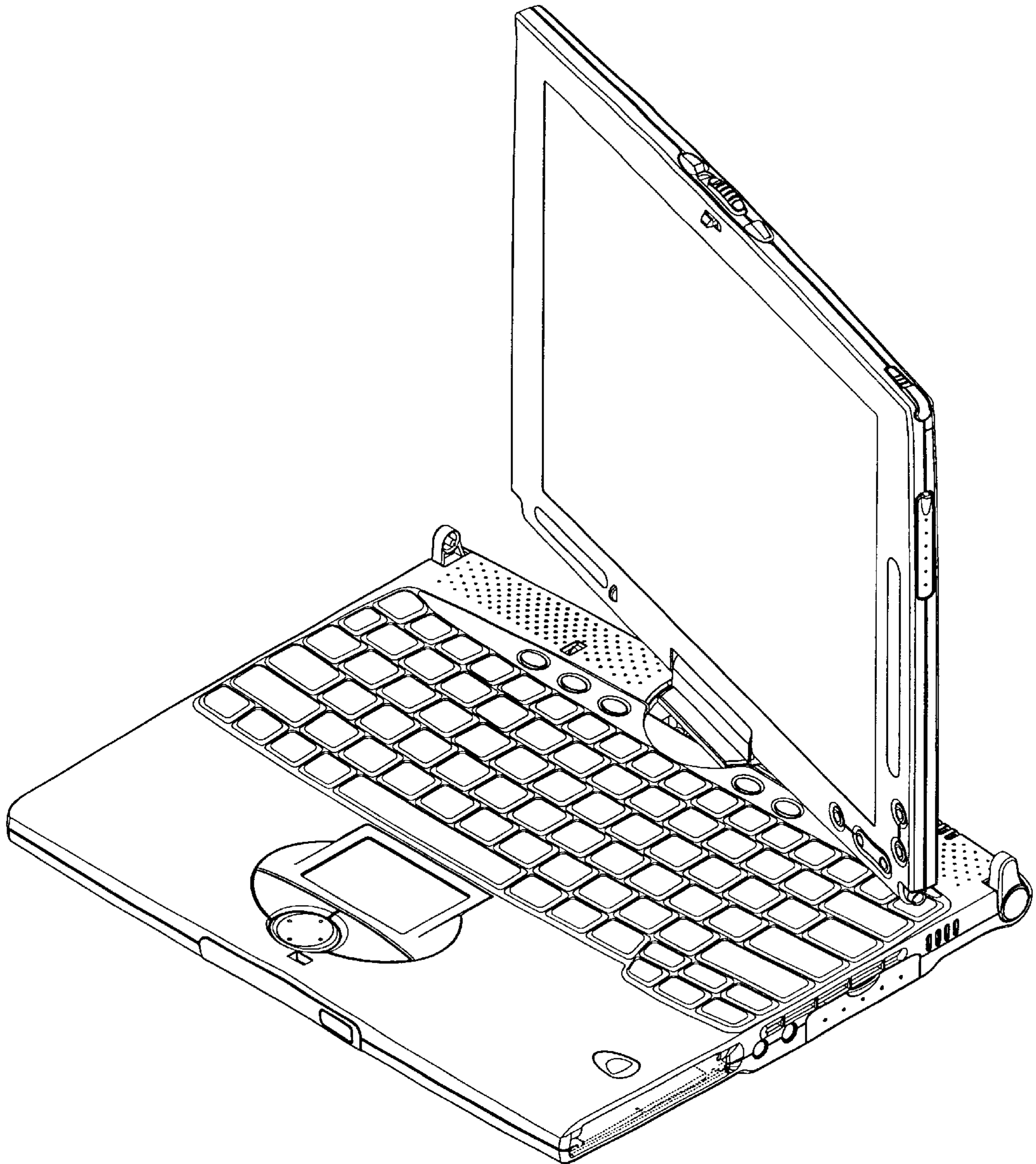


Figure 10

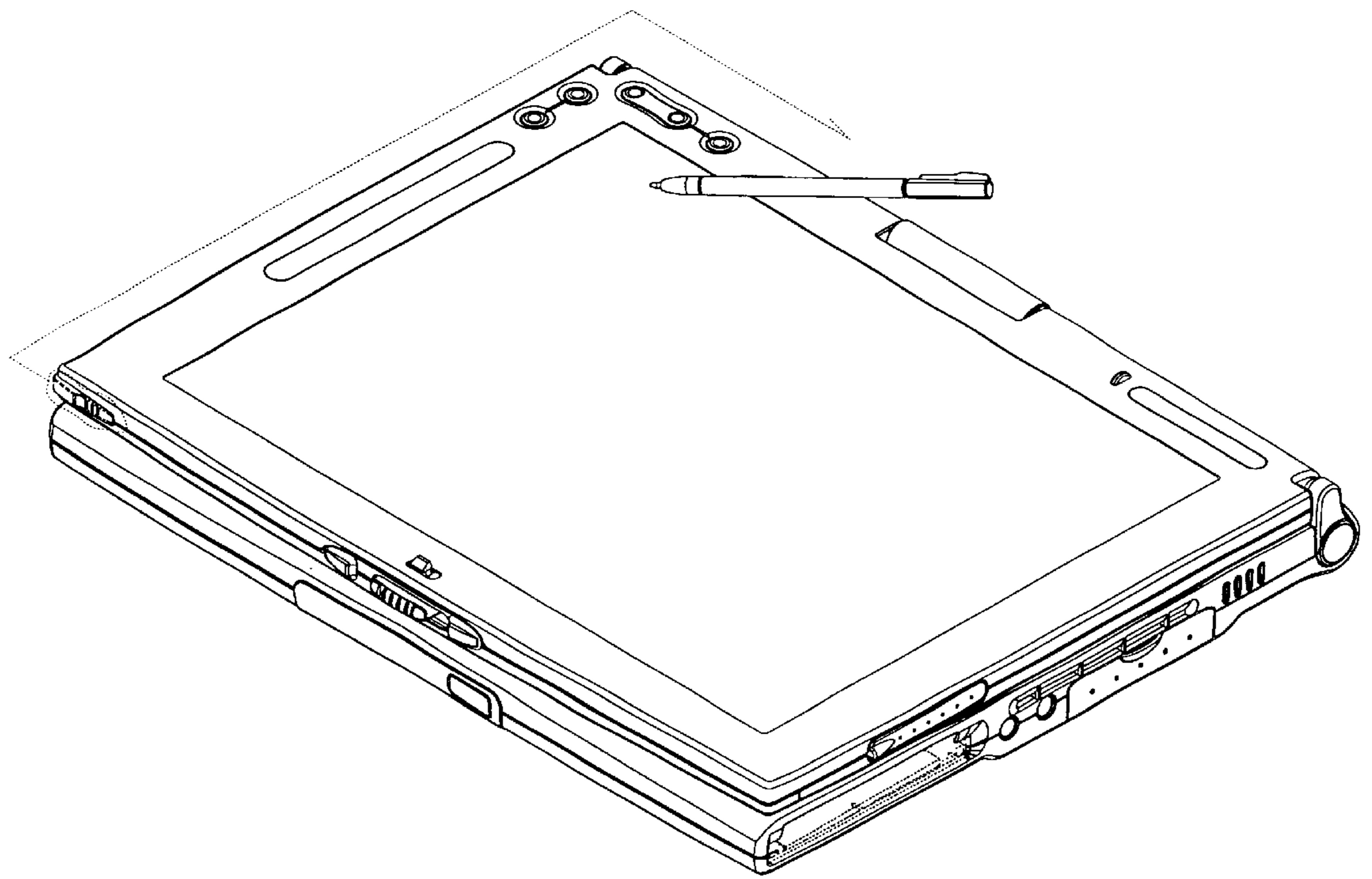


Figure 11