



US00D482686S

(12) **United States Design Patent**
Lehtonen

(10) **Patent No.: US D482,686 S**

(45) **Date of Patent: ** Nov. 25, 2003**

(54) **FRONT COVER FOR A HANDSET**

(75) **Inventor: Jarmo Lehtonen, Littoinen (FI)**

(73) **Assignee: Nokia Corporation, Espoo (FI)**

(**) **Term: 14 Years**

(21) **Appl. No.: 29/164,198**

(22) **Filed: Jul. 22, 2002**

(30) **Foreign Application Priority Data**

Jan. 22, 2002 (FI) M20020064

(51) **LOC (7) Cl. 14-03**

(52) **U.S. Cl. D14/248**

(58) **Field of Search** D14/137, 138,
D14/218, 147-148, 247-248, 144, 341-347;
379/433.01-433.13, 419, 434, 428.01-428.04,
420.01-420.04, 440; 455/550-575, 90;
D21/517

(56) **References Cited**

U.S. PATENT DOCUMENTS

- 5,151,946 A * 9/1992 Martensson 455/550
- D385,554 S * 10/1997 Nuovo et al. D14/138
- D385,875 S * 11/1997 Harris et al. D14/138
- D390,555 S * 2/1998 Finke-Anlauff D14/138
- D407,399 S * 3/1999 Frye et al. D14/138
- D407,716 S * 4/1999 Park D14/138
- D408,813 S * 4/1999 Prior D14/138
- D411,205 S * 6/1999 Frye et al. D14/250
- D412,710 S * 8/1999 Nuovo D14/250
- D413,325 S * 8/1999 Lee D14/138
- 5,956,625 A * 9/1999 Hansen et al. 455/90
- 6,014,552 A * 1/2000 Aiken et al. 455/90
- D422,597 S * 4/2000 Finkbeiner D14/248
- D425,074 S * 5/2000 Frye et al. D14/248
- D427,171 S * 6/2000 Frye et al. D14/138
- D429,491 S * 8/2000 Finkbeiner D14/248
- 6,151,485 A * 11/2000 Crisp 455/90
- 6,208,874 B1 * 3/2001 Rudisill et al. 455/550
- D440,951 S * 4/2001 Kolinen D14/138
- D443,607 S * 6/2001 Kolinen D14/248
- 6,246,862 B1 * 6/2001 Grivas et al. 455/90

- D445,409 S * 7/2001 Segers D14/138
- D448,022 S * 9/2001 Higashi et al. D14/248
- D451,079 S * 11/2001 Ali D14/138
- D455,137 S * 4/2002 Wang D14/138
- 6,370,362 B1 * 4/2002 Hansen et al. 455/90
- D459,327 S * 6/2002 Ali D14/138
- D461,467 S * 8/2002 Ruohonen D14/248
- 6,463,262 B1 * 10/2002 Johnson et al. 455/90
- D466,096 S * 11/2002 Takada D14/138

FOREIGN PATENT DOCUMENTS

WO DM/059670 5/2002

OTHER PUBLICATIONS

Hague Database Search Page [http://
guest:guest@ipdl.wipo.int/en/search/hag/
search-bool2.html], Document DM/060886, Jul. 22, 2002.*

* cited by examiner

Primary Examiner—Jeffrey Asch

(74) *Attorney, Agent, or Firm*—Banner & Witcoff, Ltd.

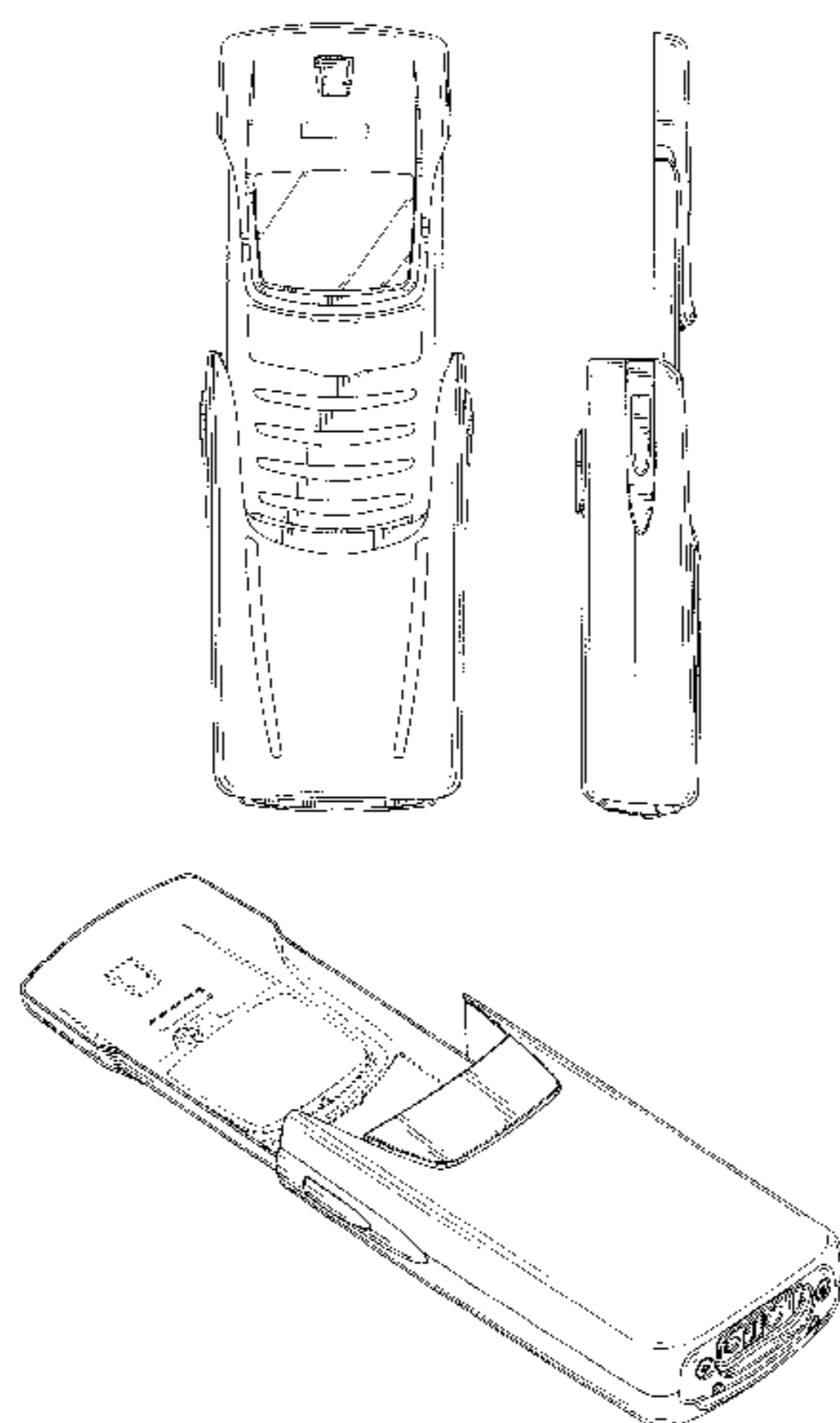
(57) **CLAIM**

The ornamental design for a front cover for a handset, as shown and described.

DESCRIPTION

FIG. 1 is a bottom plan view of a front cover for a handset showing my new design;
FIG. 2 is a right side view thereof;
FIG. 3 is a front view thereof;
FIG. 4 is a left side view thereof;
FIG. 5 is a top plan view thereof;
FIG. 6 is a rear view thereof;
FIG. 7 is a perspective front view thereof;
FIG. 8 is a perspective rear view thereof;
FIG. 9 is a right side view thereof in an open position;
FIG. 10 is a front view thereof in an open position;
FIG. 11 is a left side view thereof in an open position;
FIG. 12 is a perspective front view thereof in an open position; and,
FIG. 13 is a perspective rear view thereof in an open position.

1 Claim, 5 Drawing Sheets



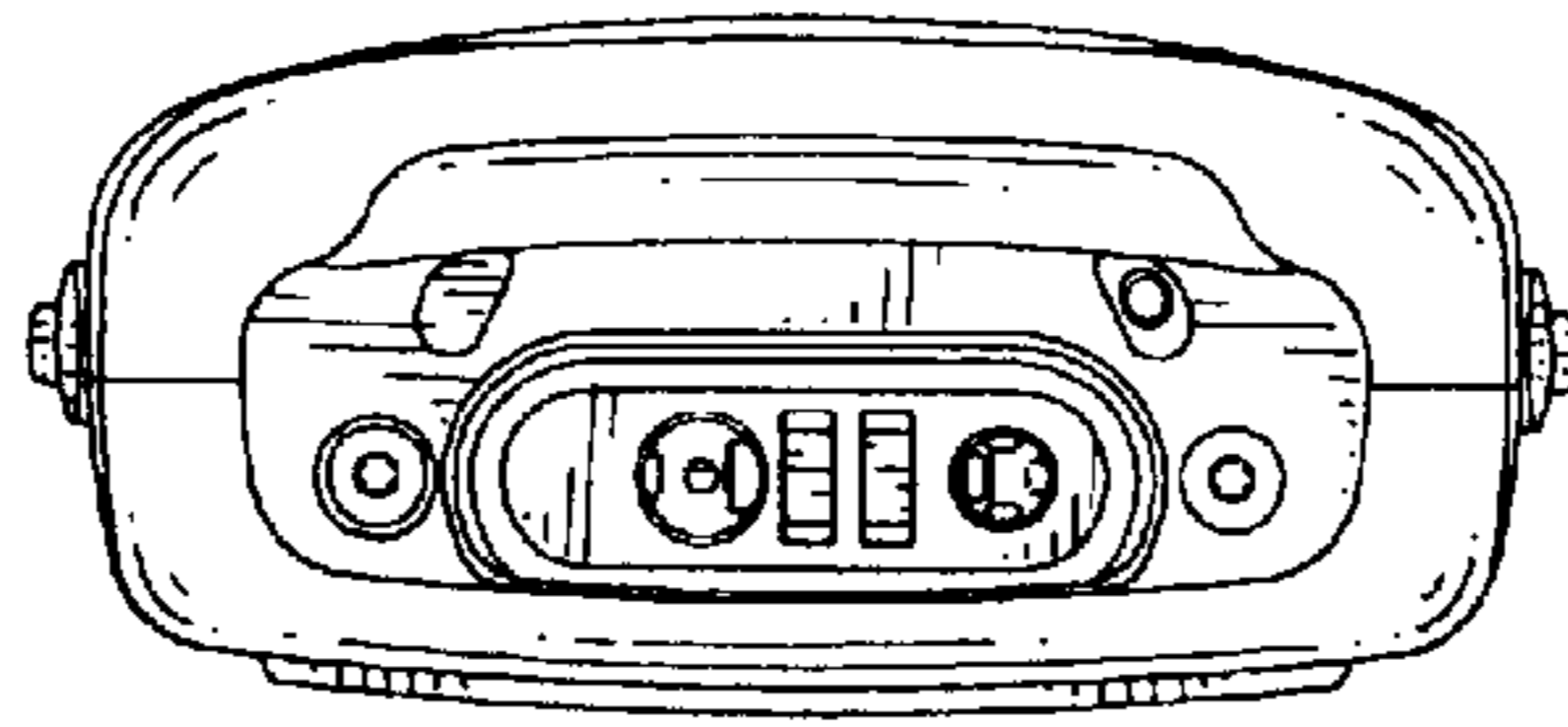


FIG. 1

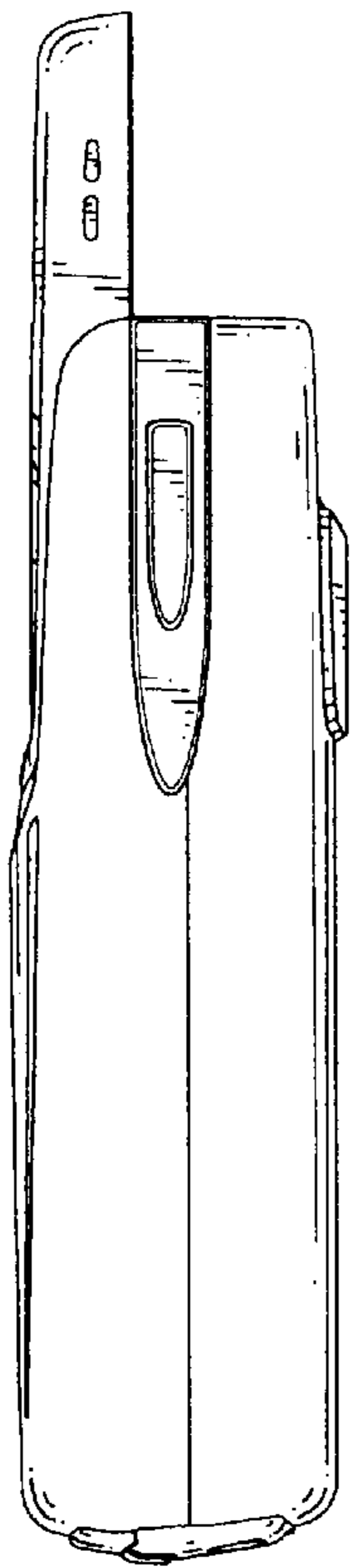


FIG. 2

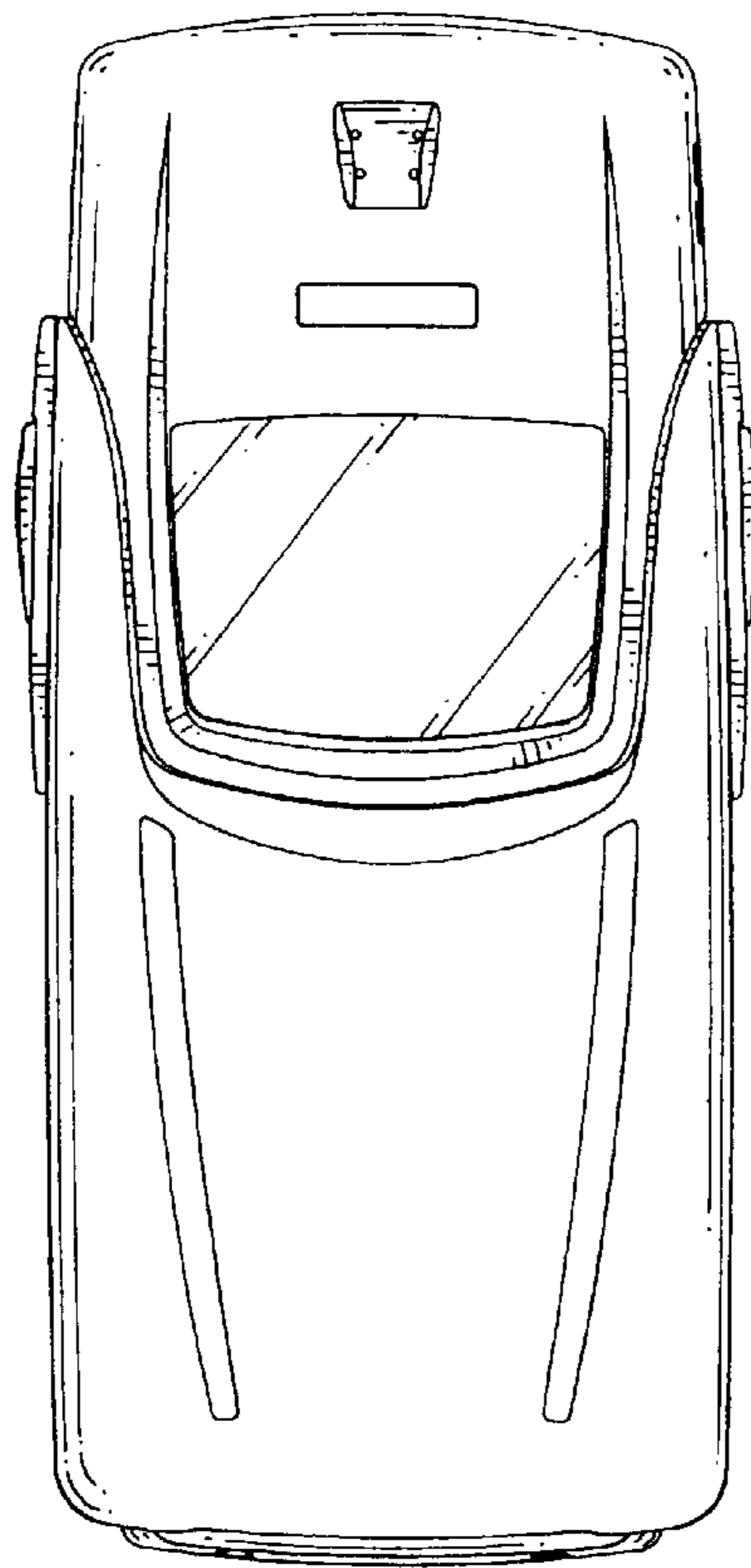


FIG. 3

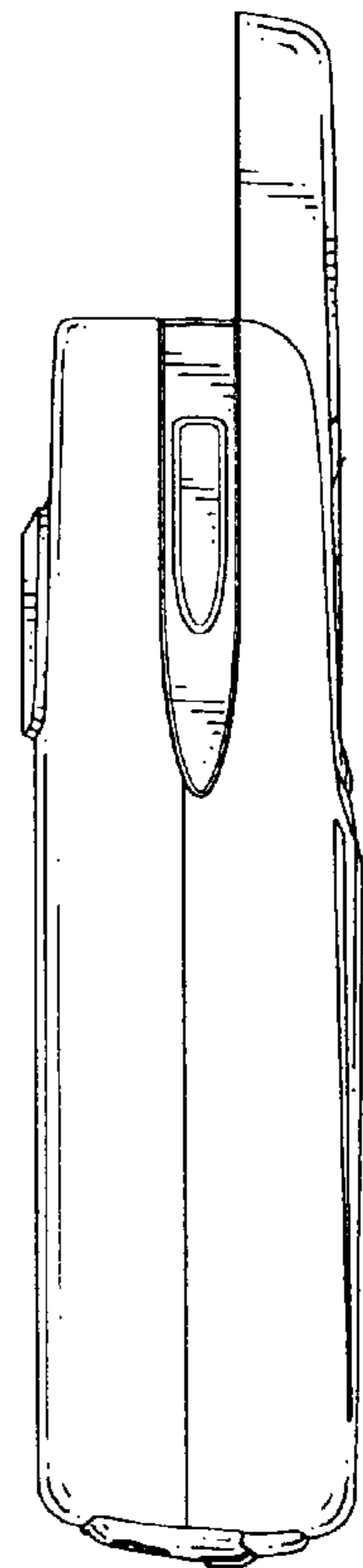


FIG. 4

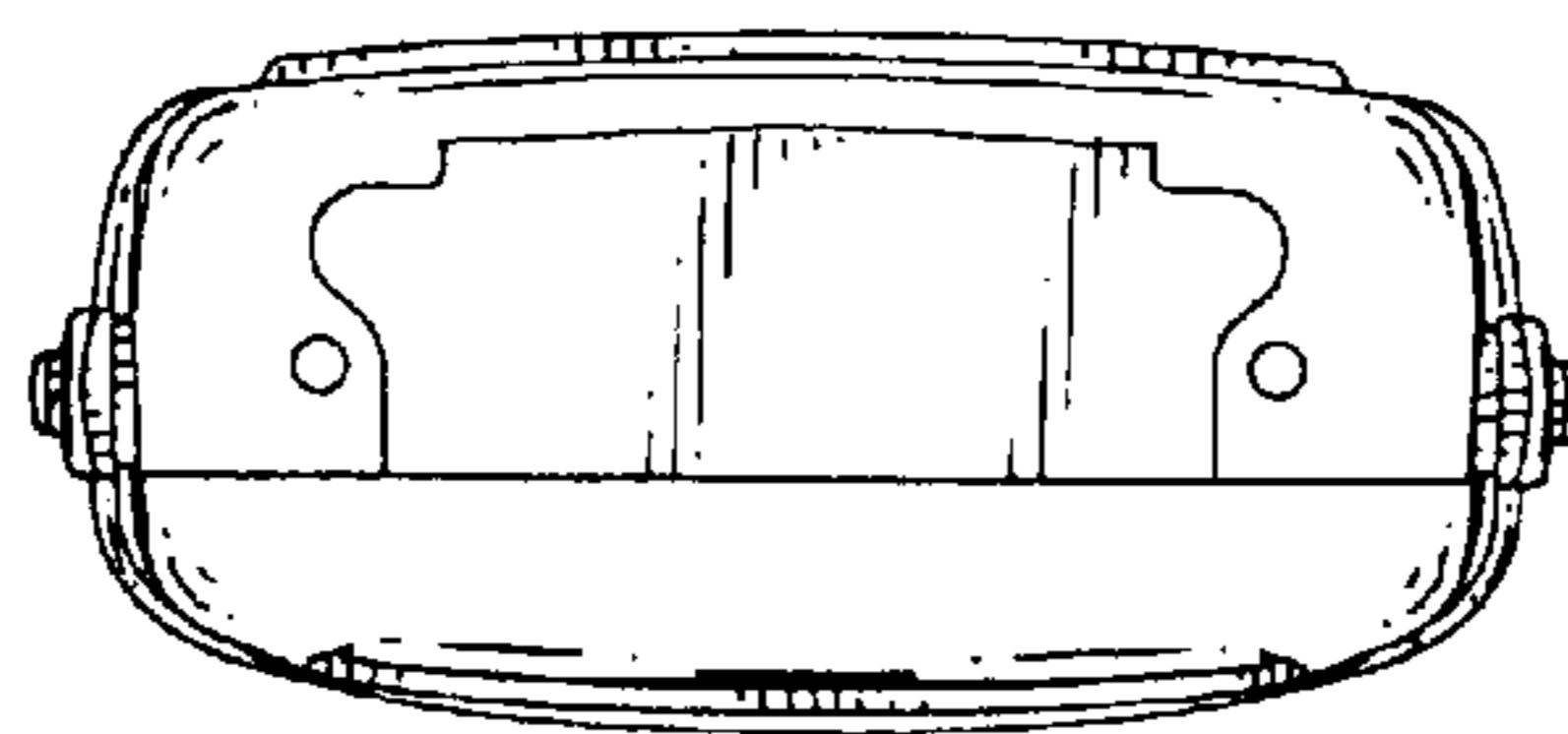


FIG. 5

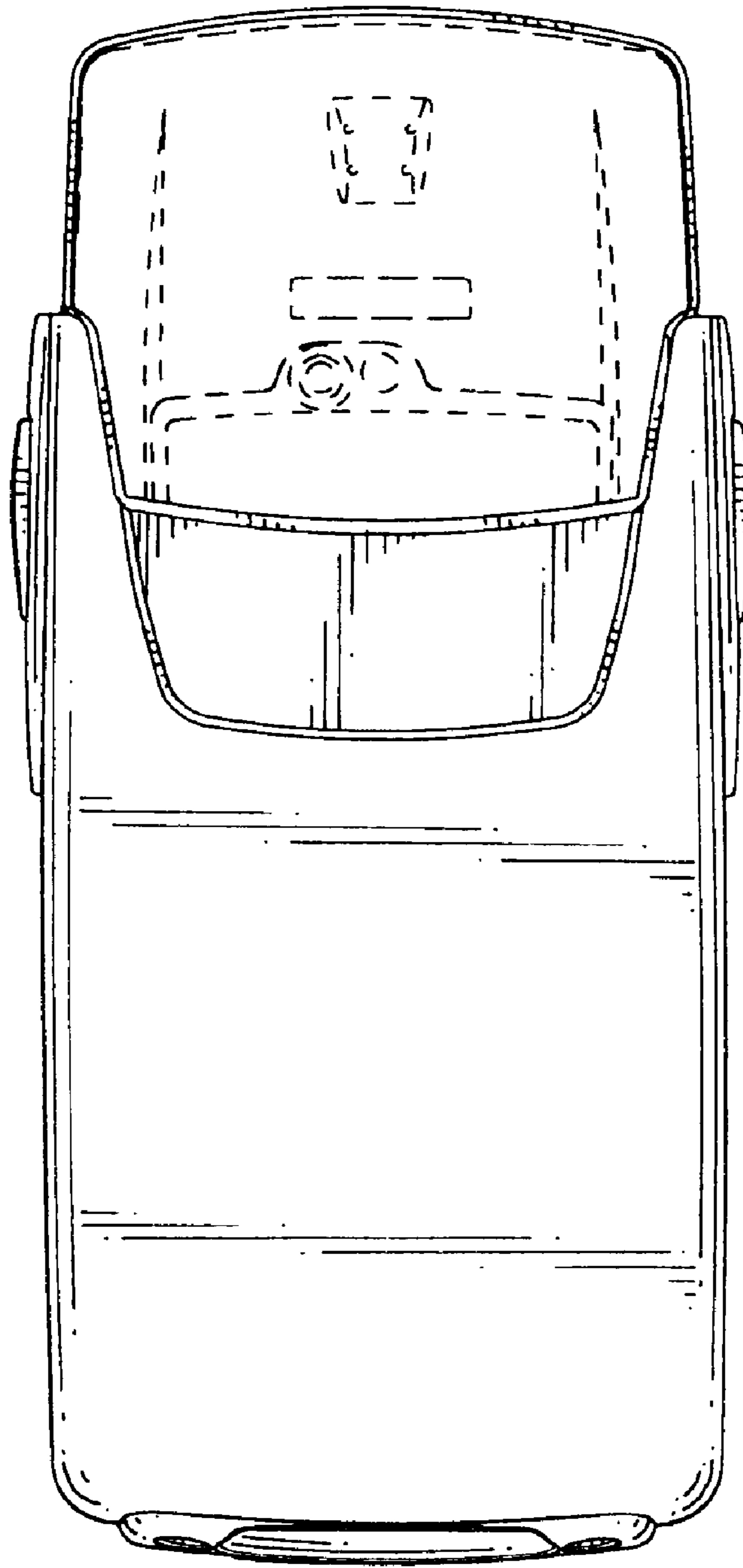


FIG.6

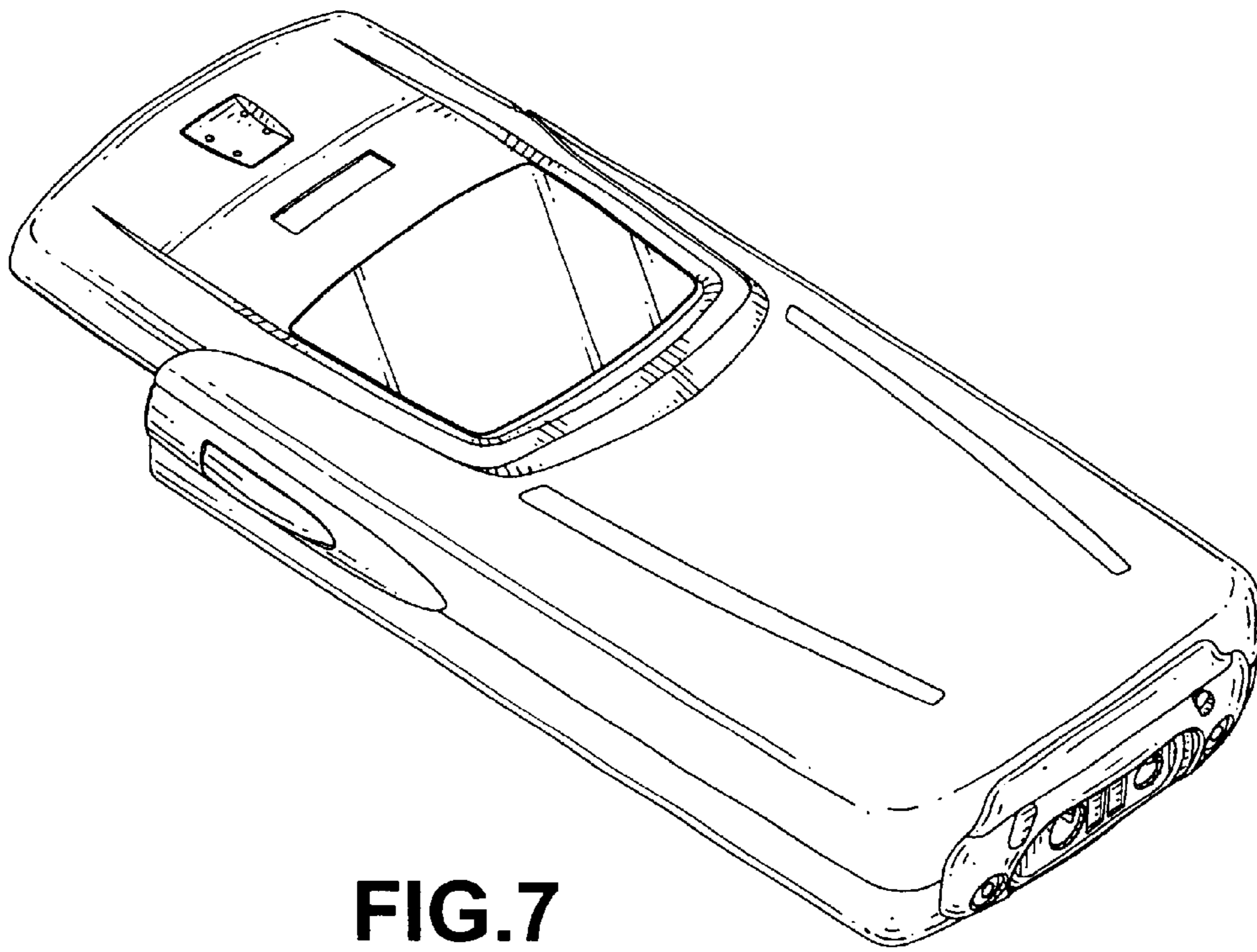


FIG. 7

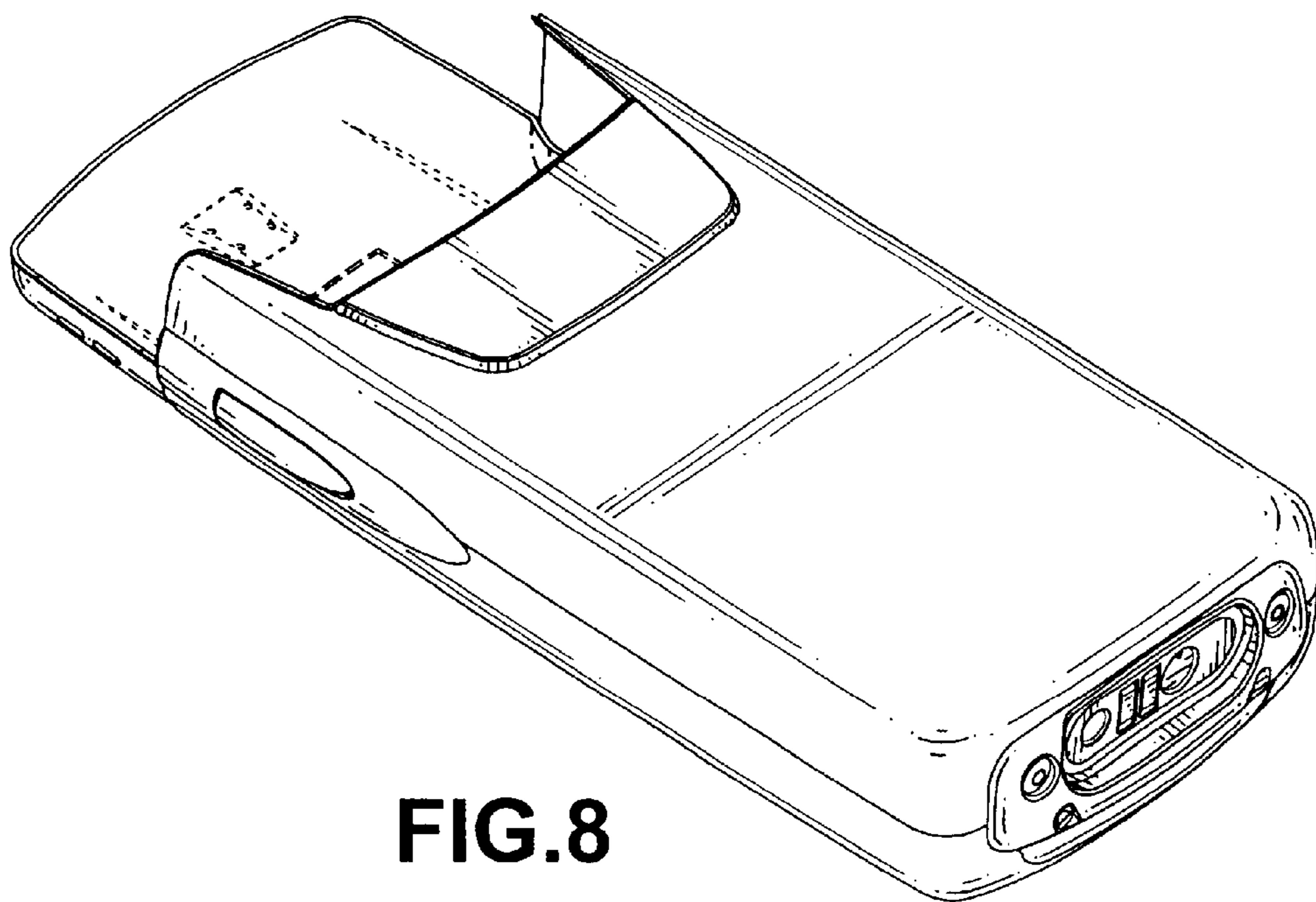


FIG. 8

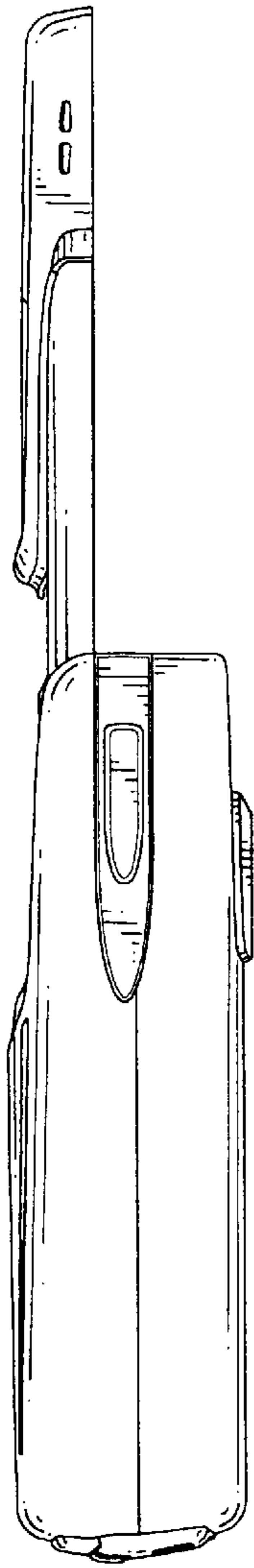


FIG.9

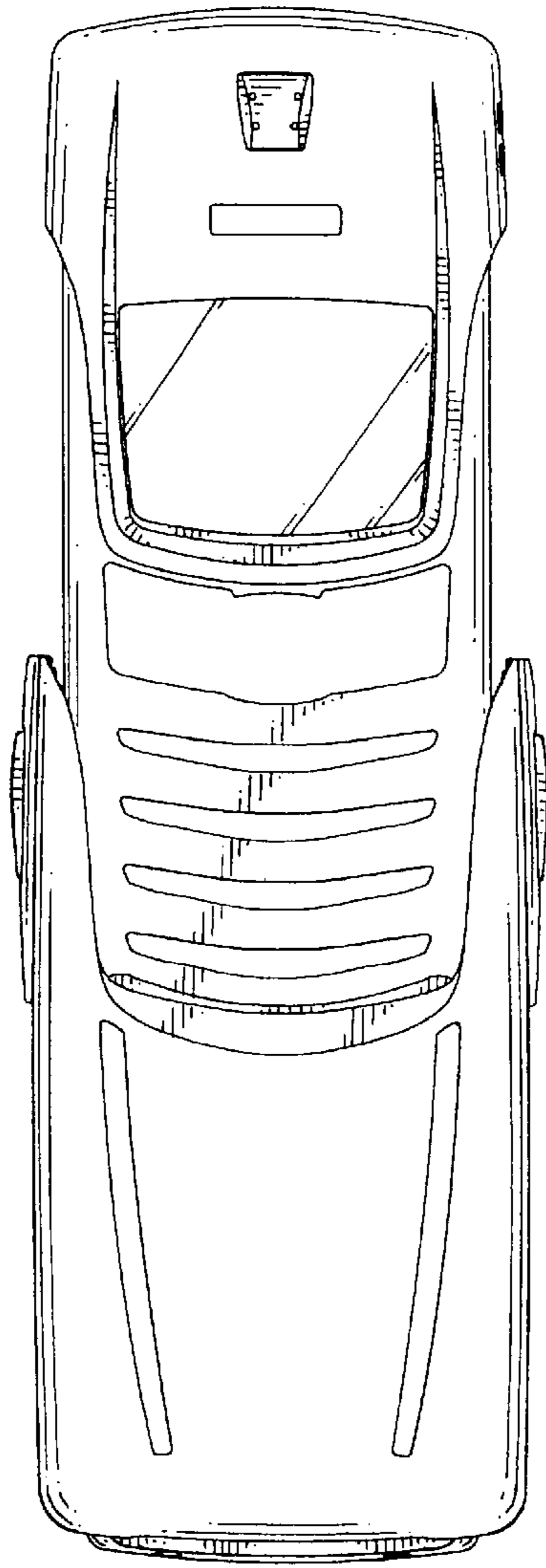


FIG.10

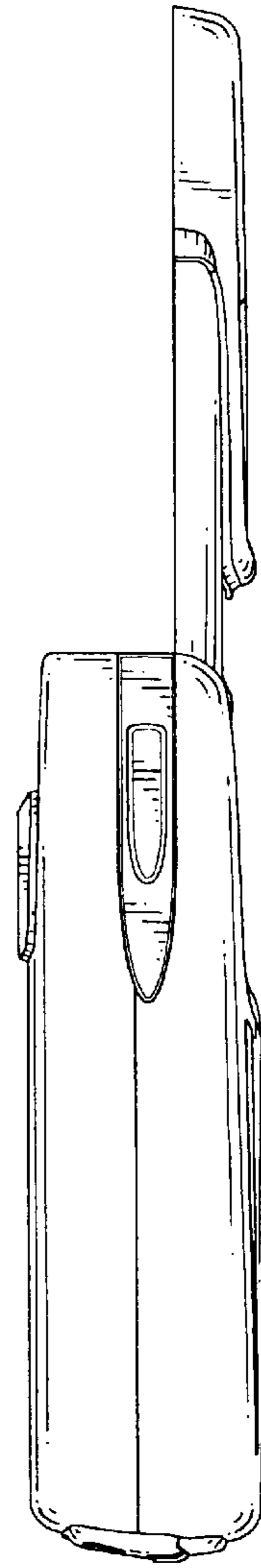


FIG.11

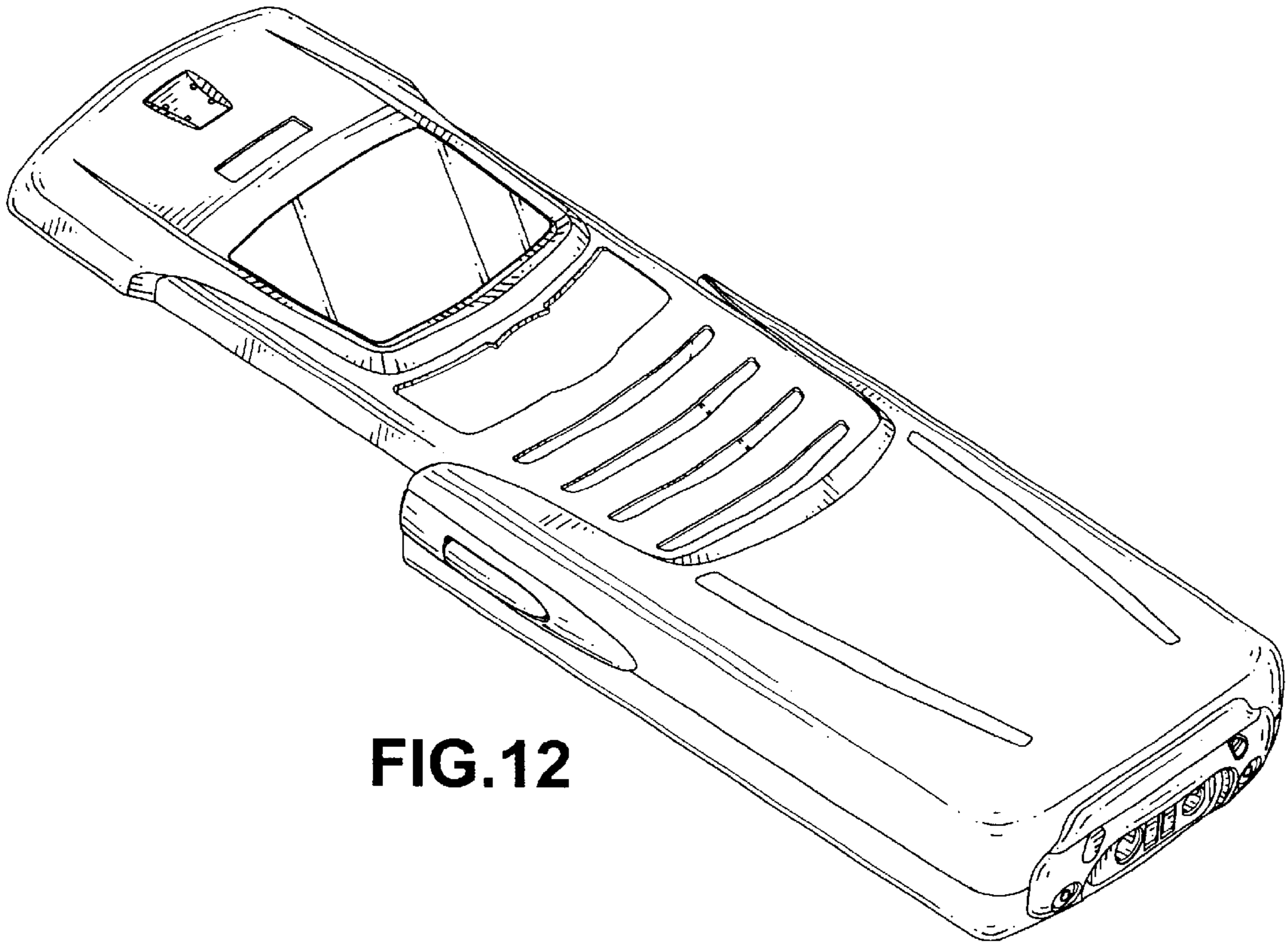


FIG.12

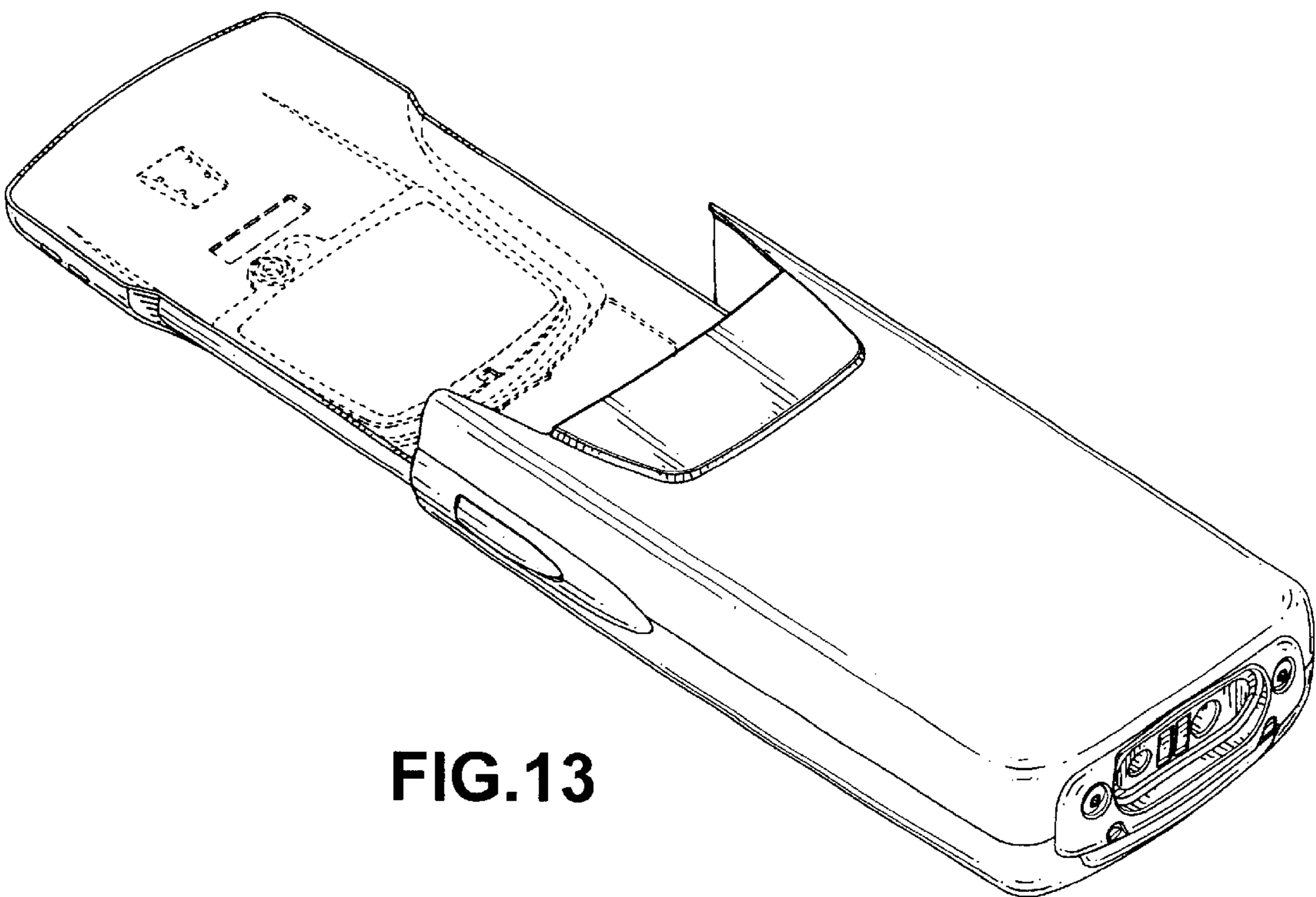


FIG.13

UNITED STATES PATENT AND TRADEMARK OFFICE
CERTIFICATE OF CORRECTION

PATENT NO. : Des. 482,686 S
DATED : November 25, 2003
INVENTOR(S) : Jarmo Lehtonen

Page 1 of 1

It is certified that error appears in the above-identified patent and that said Letters Patent is hereby corrected as shown below:

Title page,

Item [57], DESCRIPTION, insert the following sentence:

-- The broken line showing of the internal surfaces in FIGS. 6, 8, and 13 is for illustrative proposes only and forms no part of the claimed design. --

Signed and Sealed this

Sixteenth Day of November, 2004

A handwritten signature in black ink that reads "Jon W. Dudas". The signature is written in a cursive style with a large, stylized initial "J" and "D".

JON W. DUDAS

Director of the United States Patent and Trademark Office