



US00D482680S

(12) **United States Design Patent**
Dalby

(10) **Patent No.:** **US D482,680 S**

(45) **Date of Patent:** **** Nov. 25, 2003**

(54) **KEYPAD FOR A HANDSET**

(75) Inventor: **Anthony Dalby**, London (GB)

(73) Assignee: **Nokia Corporation**, Espoo (FI)

(**) Term: **14 Years**

(21) Appl. No.: **29/164,027**

(22) Filed: **Jul. 18, 2002**

(30) **Foreign Application Priority Data**

Jan. 18, 2002 (FI) M20020051

(51) **LOC (7) Cl.** **14-03**

(52) **U.S. Cl.** **D14/247**

(58) **Field of Search** D14/137, 217,
D14/138, 218, 147-148, 247-249, 144,
455, 456, 341-347, 338-340, 399, 426,
387, 396, 392, 398, 429, 453, 194, 391,
400, 401, 257, 258, 265, 191; 379/433.01-433.13,
434, 419, 420.01-420.04, 428.01-428.02,
440, 368-370, 364; 455/550-575, 90; D13/168,
171, 174; D18/2, 7, 12.2, 12.3; D21/331,
333, 517

(56) **References Cited**

U.S. PATENT DOCUMENTS

5,332,322 A	*	7/1994	Gambaro	400/489
D394,433 S	*	5/1998	Lindeman et al.	D14/138
D411,536 S	*	6/1999	Page et al.	D14/137
D413,896 S	*	9/1999	Frye et al.	D14/247
D420,678 S	*	2/2000	Curtis et al.	D14/247
D423,515 S	*	4/2000	Phillips et al.	D14/247
D428,879 S	*	8/2000	Frye et al.	D14/247
D429,226 S	*	8/2000	Siddoway et al.	D14/347
D429,240 S	*	8/2000	Curtis	D14/247
D430,859 S	*	9/2000	Lindeman et al.	D14/138
D434,742 S	*	12/2000	Elkins et al.	D14/138
D434,743 S	*	12/2000	Wei	D14/138
D435,027 S	*	12/2000	Wolf et al.	D14/138

D436,590 S	*	1/2001	Finkbeiner	D14/247
D442,930 S	*	5/2001	Nguyen et al.	D14/138
D445,102 S	*	7/2001	Lai	D14/138
D448,759 S	*	10/2001	Gartrell et al.	D14/247
D448,760 S	*	10/2001	Higashi et al.	D14/247
D450,689 S	*	11/2001	Langford et al.	D14/247
D451,912 S	*	12/2001	Higashi et al.	D14/247
D453,150 S	*	1/2002	Murray	D14/138
D453,928 S	*	2/2002	Vuolteenaho et al.	D14/247
D454,342 S	*	3/2002	Lee	D14/247
D454,866 S	*	3/2002	Salmi et al.	D14/247
D455,736 S	*	4/2002	Vuolteenaho et al.	D14/247
D458,921 S	*	6/2002	Vuolteenaho et al.	D14/247
D459,711 S	*	7/2002	Lee	D14/138
D460,754 S	*	7/2002	Ruohonen	D14/247
2002/0022496 A1	*	2/2002	Park	455/550
2002/0110238 A1	*	8/2002	Kiernan	379/433.07

OTHER PUBLICATIONS

Hague Database Search Page [http://
guest:guest@ipdl.wipo.int/en/search/hag/
search-bool2.html], Document DM/060743, Jul. 18, 2002.*

* cited by examiner

Primary Examiner—Jeffrey Asch

(74) *Attorney, Agent, or Firm*—Banner & Witcoff, Ltd.

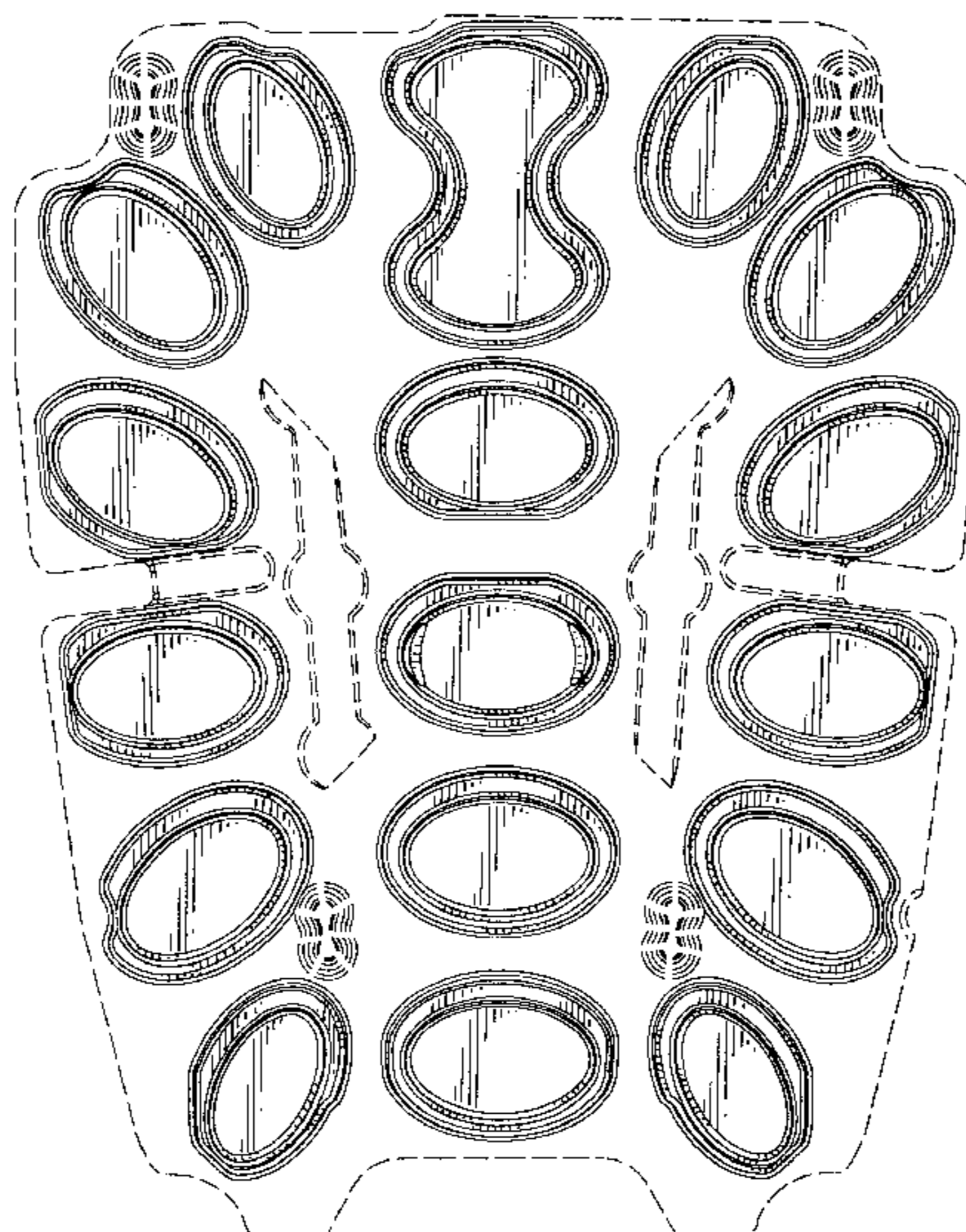
(57) **CLAIM**

The ornamental design for a keypad for a handset, as shown and described.

DESCRIPTION

FIG. 1 is a top plan view of a keypad for a handset showing my new design;
FIG. 2 is a left side view thereof;
FIG. 3 is a front view thereof;
FIG. 4 is a right side view thereof;
FIG. 5 is a bottom plan view thereof; and,
FIG. 6 is a perspective front view thereof.

1 Claim, 4 Drawing Sheets



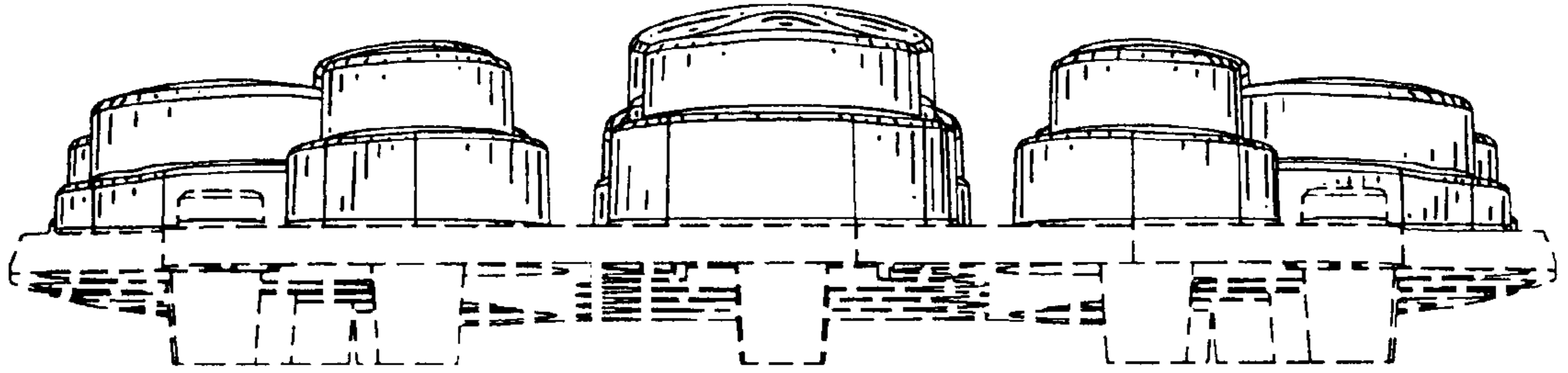


FIG. 1

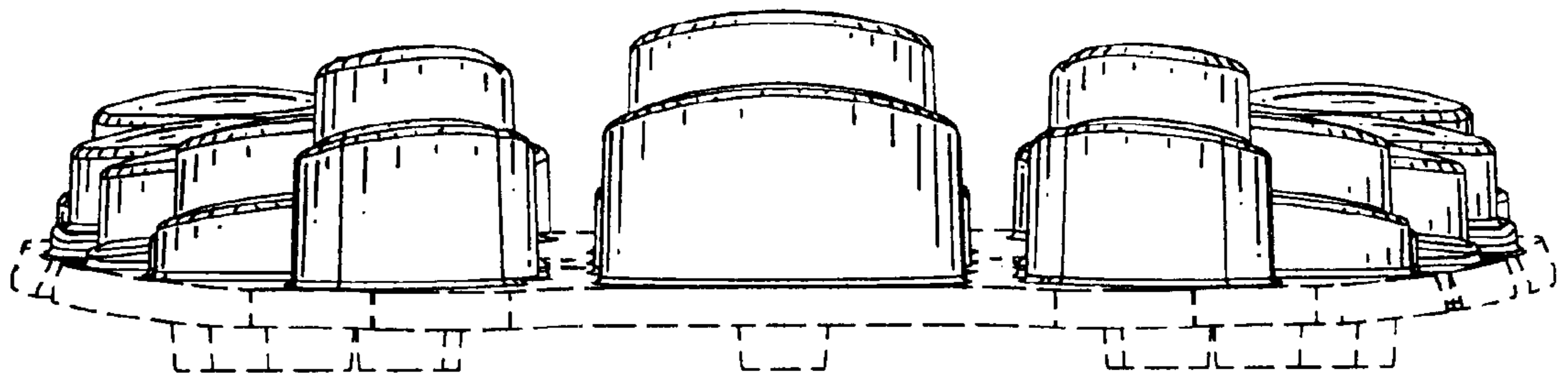


FIG. 5

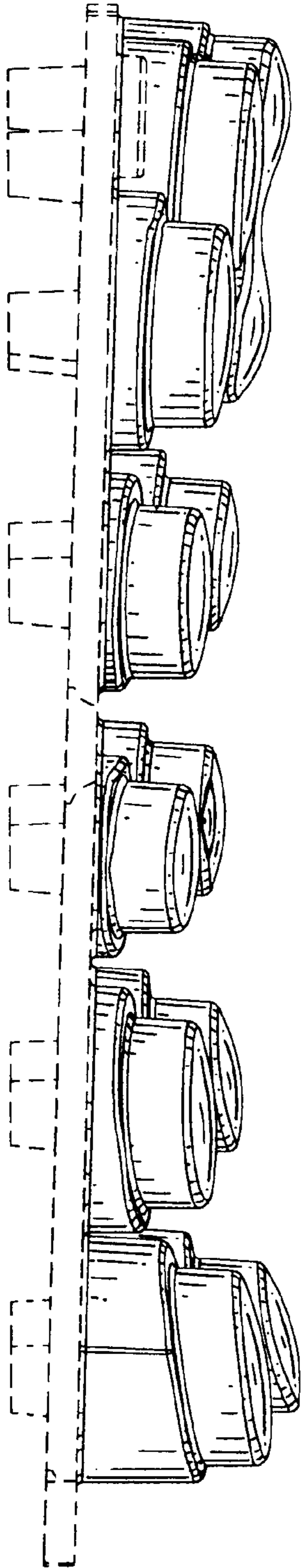


FIG. 2

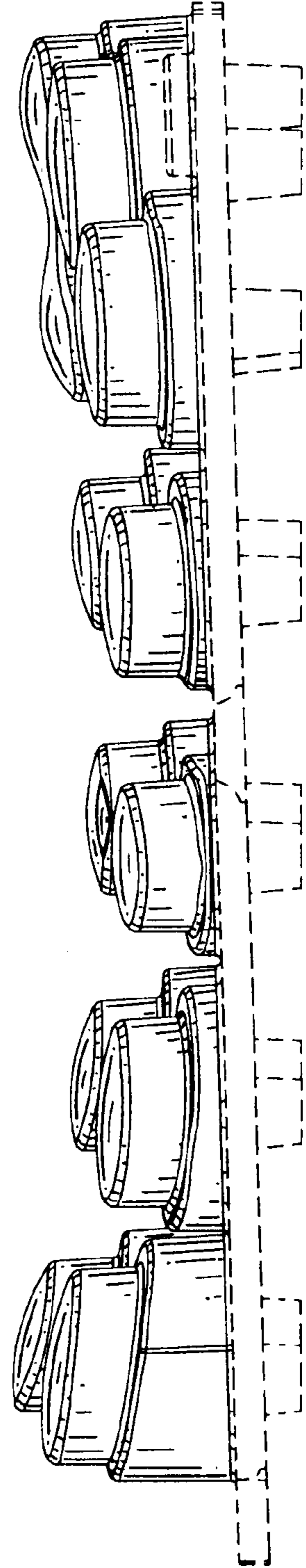


FIG. 4

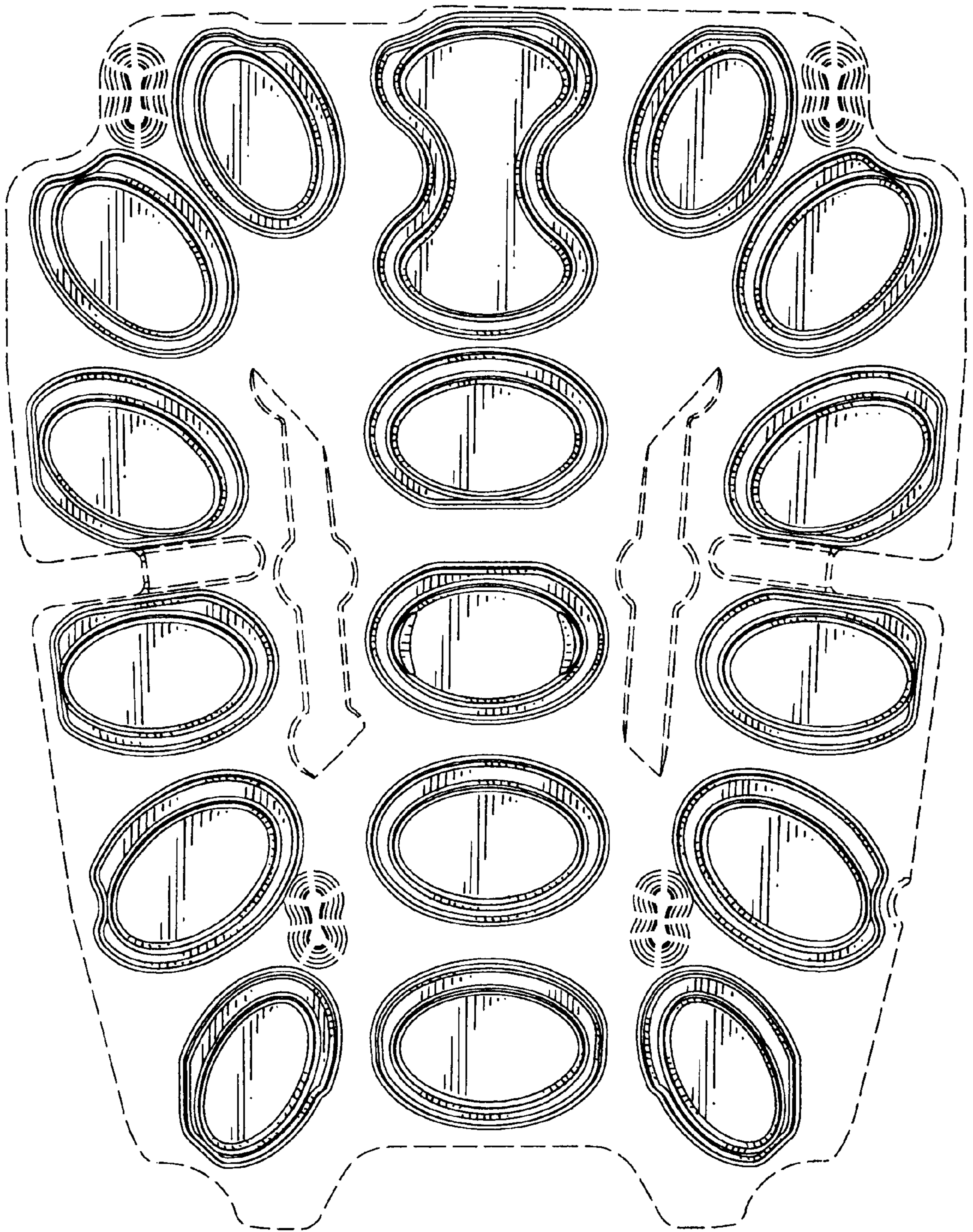


FIG.3

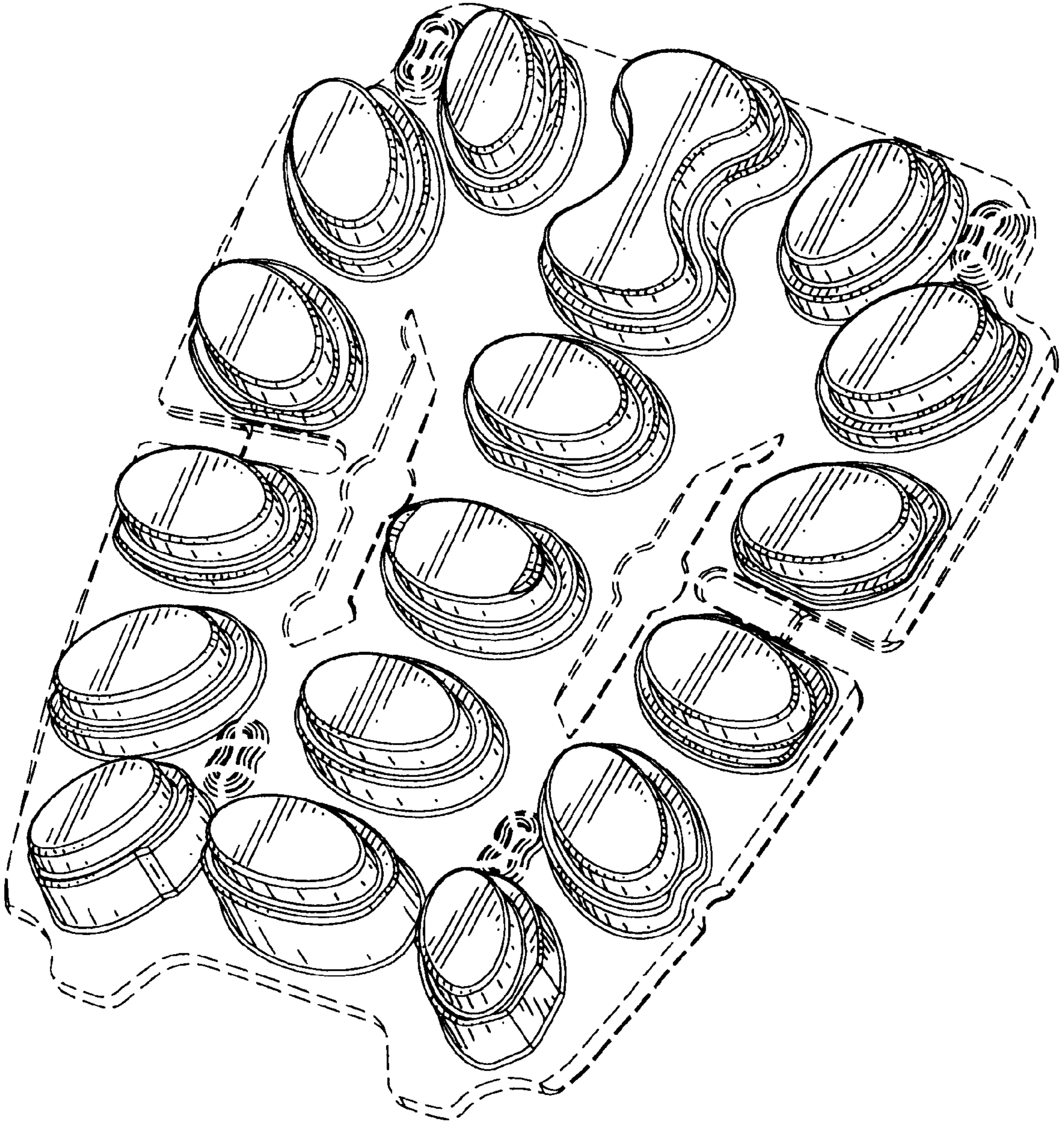


FIG.6

UNITED STATES PATENT AND TRADEMARK OFFICE
CERTIFICATE OF CORRECTION

PATENT NO. : Des. 482,680 S
DATED : November 25, 2003
INVENTOR(S) : Anthony Dalby

Page 1 of 1

It is certified that error appears in the above-identified patent and that said Letters Patent is hereby corrected as shown below:

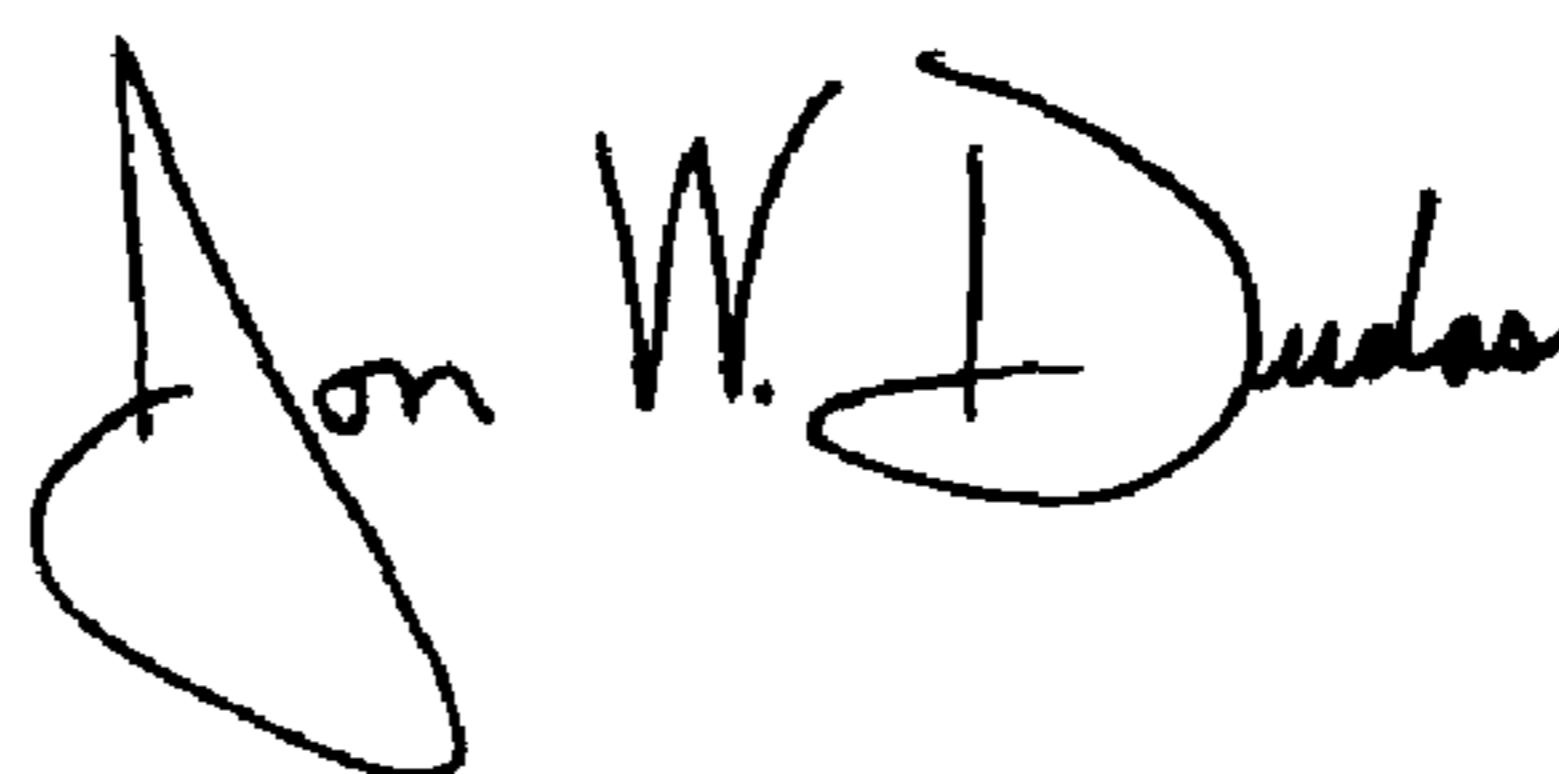
Title page,

Item [57], **DESCRIPTION**, the following sentence has been inserted:

-- The broken line showing of the remainder of the keypad is for illustrative purposes only and forms no part of the claimed design. The rear of the keypad forms no part of the claimed design --.

Signed and Sealed this

Fifteenth Day of June, 2004

A handwritten signature in black ink that reads "Jon W. Dudas". The signature is written in a cursive style with a large, looped initial "J".

JON W. DUDAS
Acting Director of the United States Patent and Trademark Office