



US00D482679S

(12) **United States Design Patent**
Hillenmayer

(10) **Patent No.:** **US D482,679 S**

(45) **Date of Patent:** **** Nov. 25, 2003**

(54) **DETACHABLE AUXILIARY DEVICE
HAVING PROGRAMMABLE KEYS**

(75) **Inventor:** **Stefan Hillenmayer, Munich (DE)**

(73) **Assignee:** **Siemens Aktiengesellschaft, Munich
(DE)**

(**) **Term:** **14 Years**

(21) **Appl. No.:** **29/141,004**

(22) **Filed:** **Apr. 27, 2001**

(30) **Foreign Application Priority Data**

Oct. 27, 2000 (DE) 400 10 442

(51) **LOC (7) Cl.** **14-03**

(52) **U.S. Cl.** **D14/241**

(58) **Field of Search** D14/434, 329,
D14/330, 447, 148, 147, 149-151, 140-142,
240, 241, 251, 253, 130, 248; 379/420.01,
420.02, 420.03, 419, 420.04, 428.02, 428.01,
428.04, 428.03, 454, 440, 446, 434-436;
D13/107, 108; 320/110, 113, 114, 115

(56) **References Cited**

U.S. PATENT DOCUMENTS

- D284,571 S * 7/1986 Marshall D14/151
- D286,777 S * 11/1986 Bishop D14/151
- D287,361 S * 12/1986 Sekiguchi et al. D14/151
- D294,248 S * 2/1988 Richter et al. D14/151
- D294,351 S * 2/1988 Richter et al. D14/151
- D297,137 S * 8/1988 Richter et al. D14/151
- 4,790,007 A * 12/1988 Richter et al. 379/428.01
- D300,028 S * 2/1989 To D14/151
- D306,027 S * 2/1990 Gagnon D14/241
- D311,191 S * 10/1990 Ando D14/241
- D319,235 S * 8/1991 Sato D14/151
- D320,986 S * 10/1991 Suckley D14/144
- 5,121,427 A * 6/1992 Gumb et al. 379/435
- D328,295 S * 7/1992 Gagnon et al. D14/142
- D332,786 S * 1/1993 Gagnon D14/142
- 5,187,743 A * 2/1993 Gumb et al. 379/436
- D345,358 S * 3/1994 Hillenmayer et al. D14/151
- D345,558 S * 3/1994 Hillenmayer et al. D14/151

- D351,165 S * 10/1994 Hillenmayer D14/151
- D374,667 S * 10/1996 Elkins et al. D14/151
- D374,674 S * 10/1996 Elkins et al. D14/241
- D375,095 S * 10/1996 Hillenmayer et al. D14/151
- D386,759 S * 11/1997 Elkins et al. D14/151
- 5,761,297 A * 6/1998 Kingsbury et al. 379/428.03
- D410,005 S * 5/1999 Landry et al. D14/151
- D412,503 S * 8/1999 Delhaes D14/151
- D413,121 S * 8/1999 Allen et al. D14/240
- D419,999 S * 2/2000 Delhaes D14/151
- D428,000 S * 7/2000 Takayama et al. D14/241
- 6,104,807 A * 8/2000 Johnson et al. 379/428.04
- D455,727 S * 4/2002 Hillenmayer D14/151
- D457,152 S * 5/2002 Nam D14/151
- D460,066 S * 7/2002 Hillenmayer D14/248

FOREIGN PATENT DOCUMENTS

DE 299 03 958 * 3/1999

* cited by examiner

Primary Examiner—Jeffrey Asch

(74) *Attorney, Agent, or Firm*—Schiff Hardin & Waite

(57) **CLAIM**

The ornamental design of a detachable auxiliary device having programmable keys, as shown and described.

DESCRIPTION

FIG. 1 is a perspective view from the top right side of a detachable auxiliary device having programmable keys which device is shown as being attached to a telephone station, which is shown in broken lines and forms no part of the present design;

FIG. 2 is a bottom plan view of the auxiliary device of FIG. 1;

FIG. 3 is a top plan view of the auxiliary device of FIG. 1; FIG. 4 is an elevational view of the right side of the auxiliary device of FIG. 1;

FIG. 5 is a side elevational view of the left side of the auxiliary device of FIG. 1;

FIG. 6 is a front elevational view of the auxiliary device of FIG. 1; and,

FIG. 7 is a rear elevational view of the auxiliary device of FIG. 1.

1 Claim, 4 Drawing Sheets

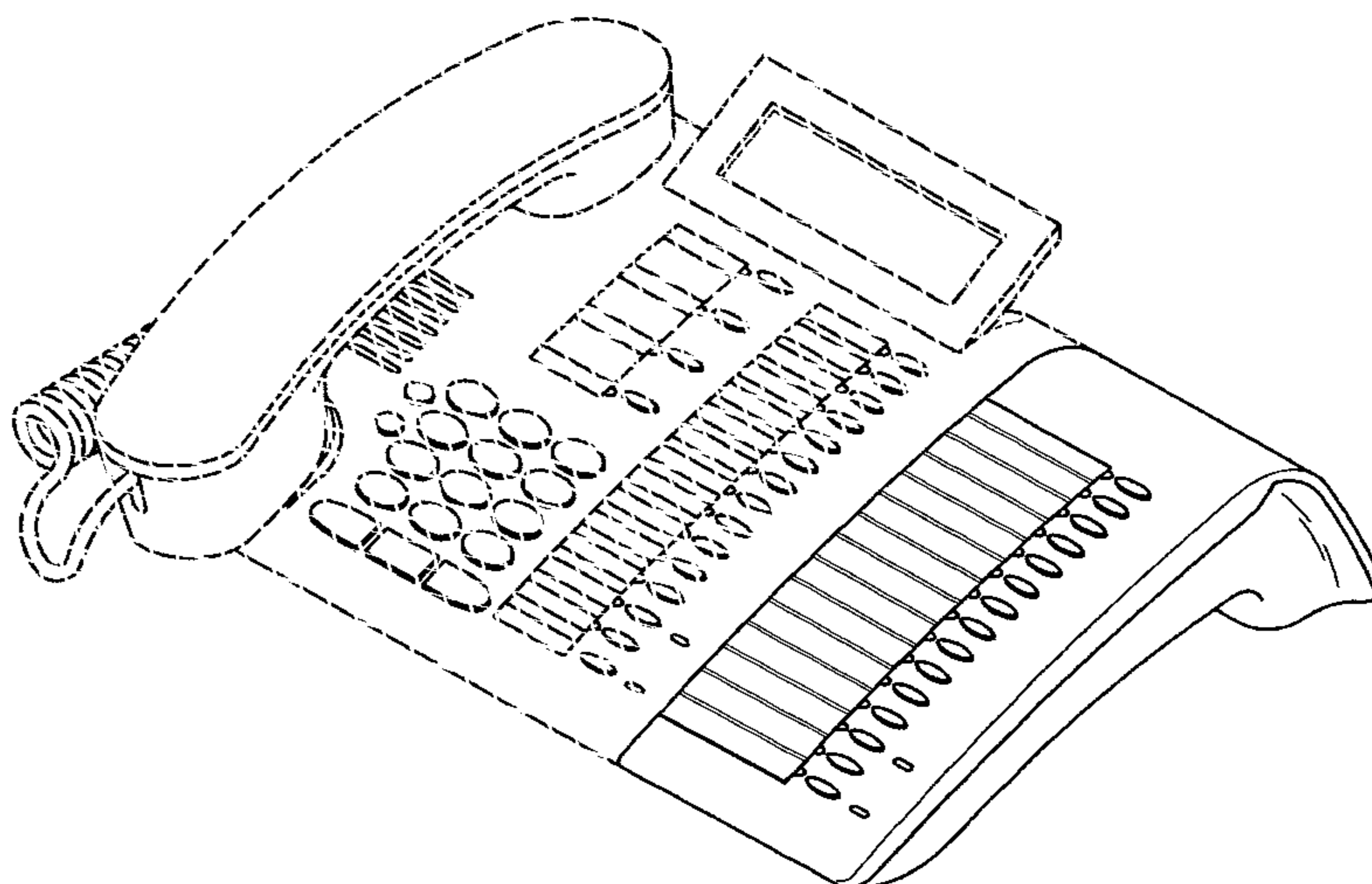
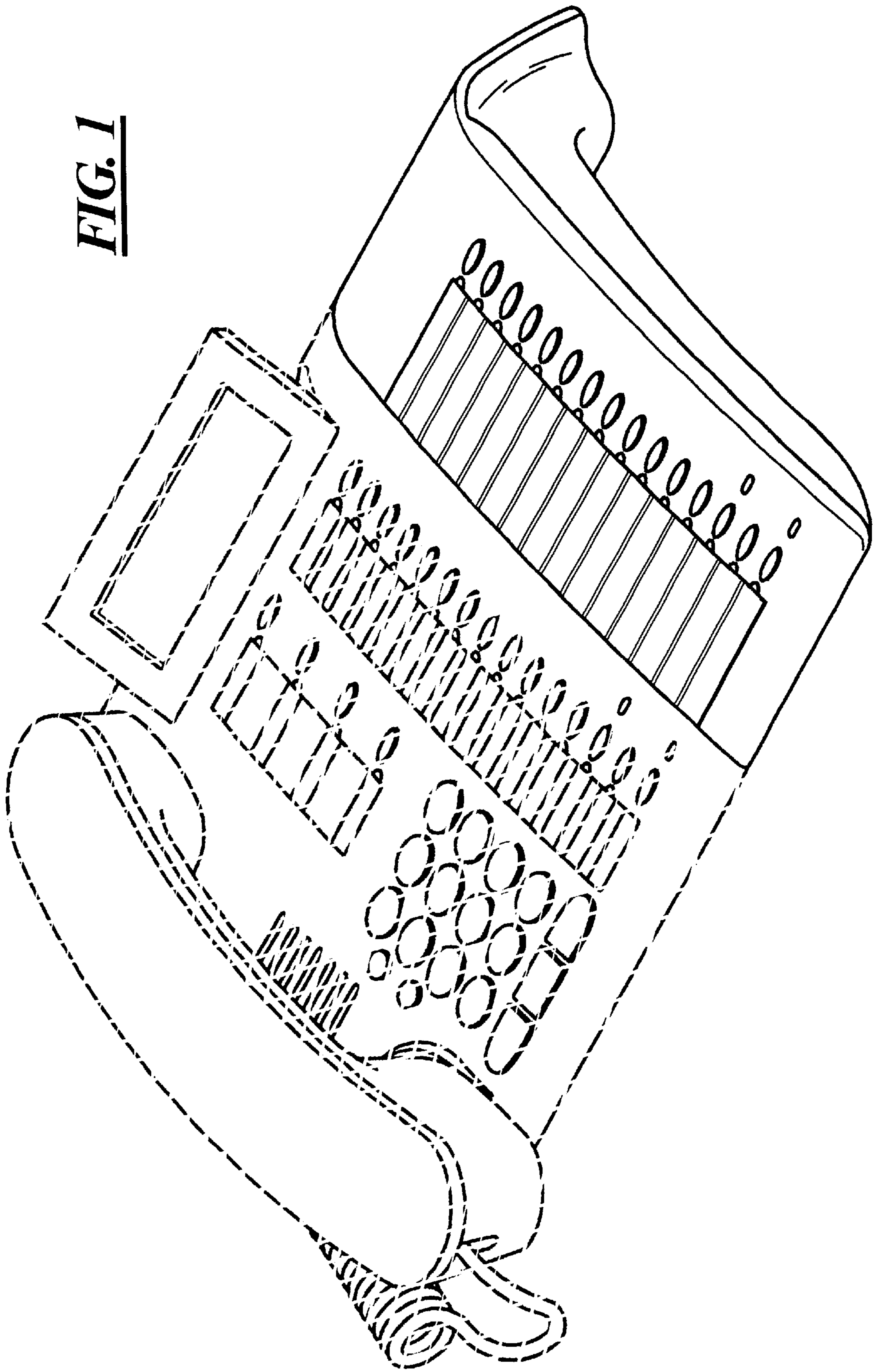


FIG. 1



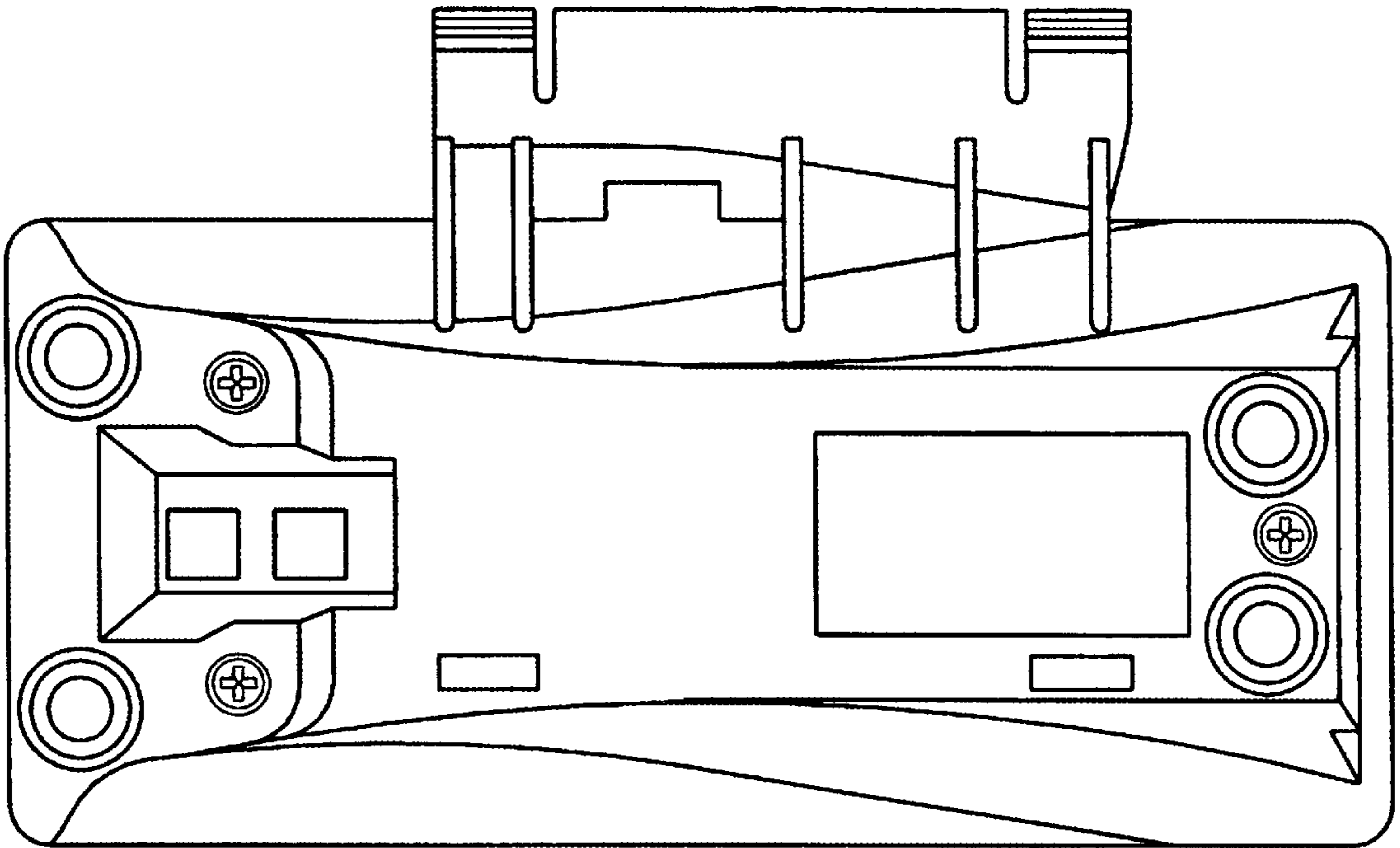


FIG. 2

FIG. 3

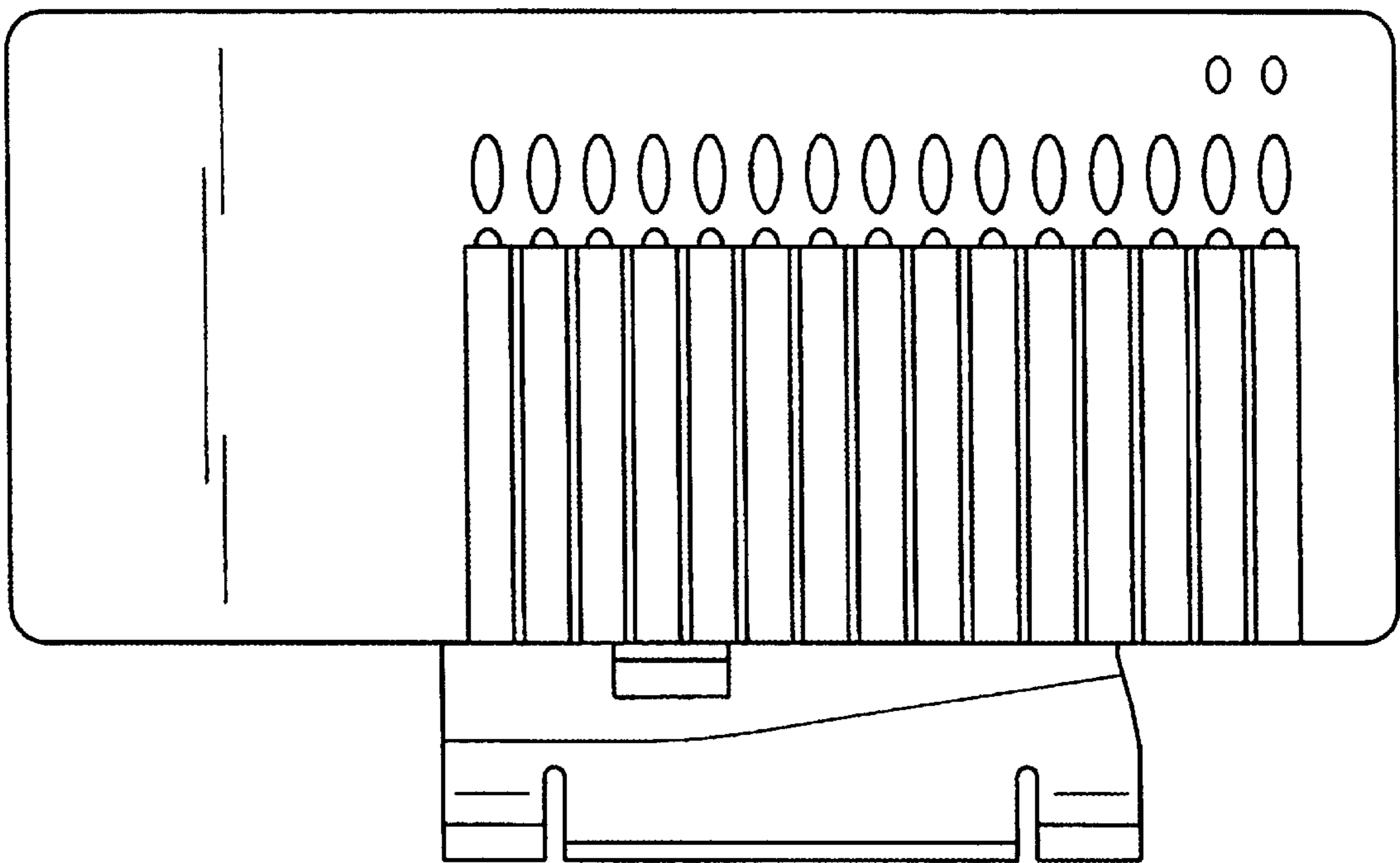


FIG. 4

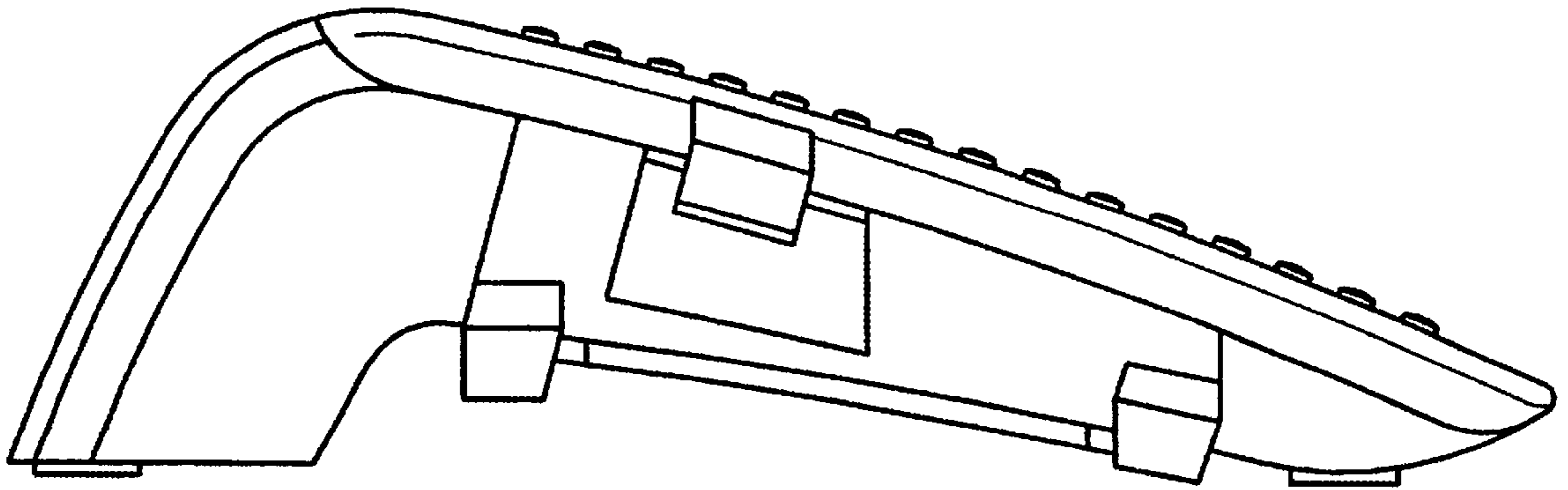
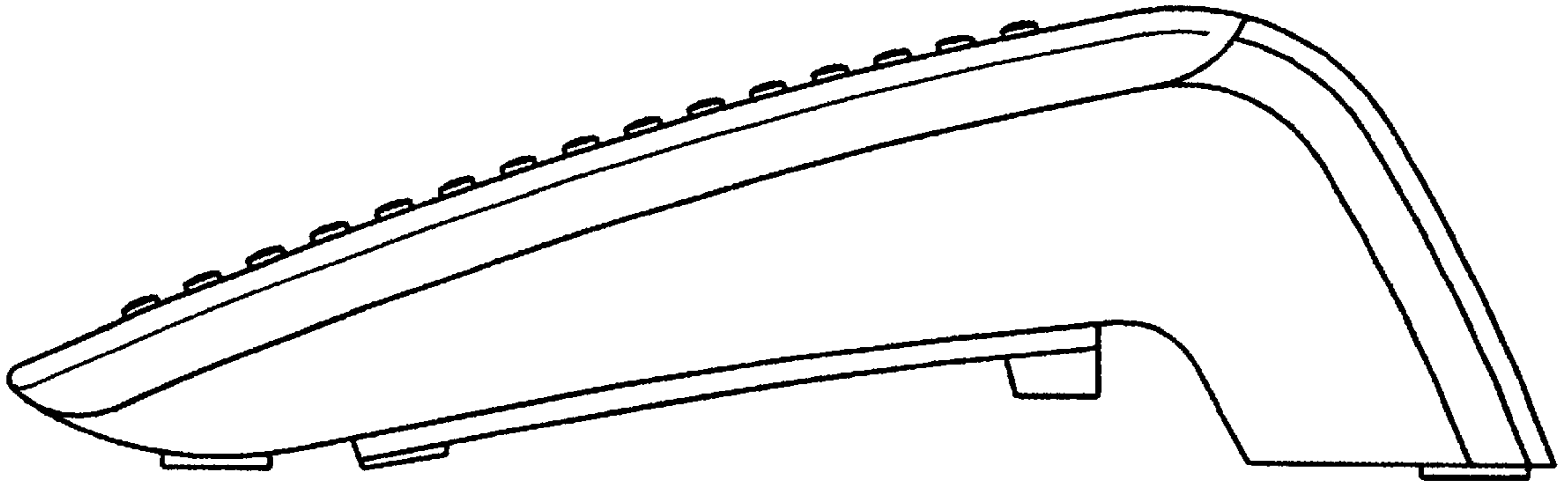


FIG. 5

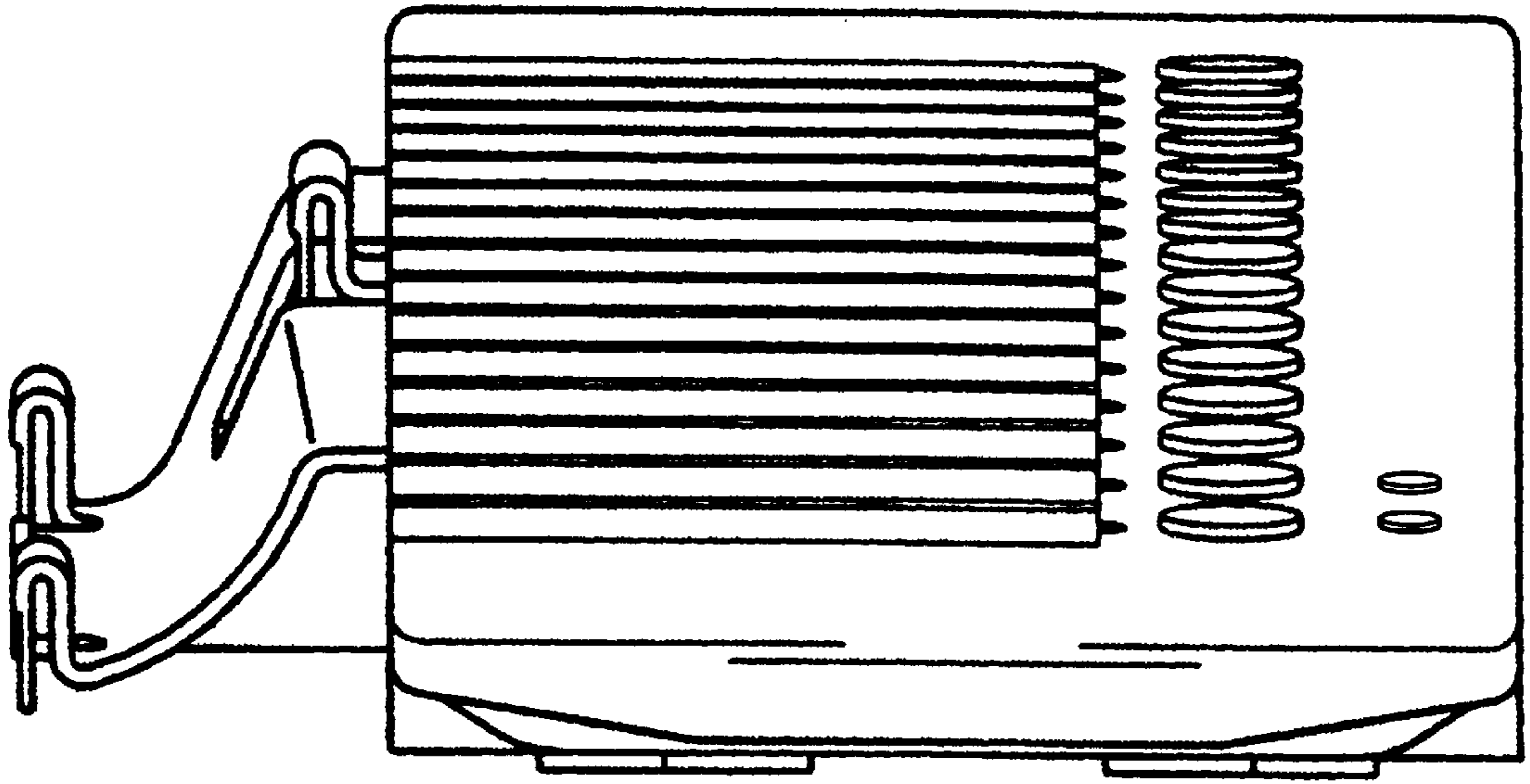


FIG. 6

FIG. 7

