



US00D482676S

(12) **United States Design Patent**
Martikainen

(10) **Patent No.:** **US D482,676 S**

(45) **Date of Patent:** **** Nov. 25, 2003**

(54) **LOUDSPEAKER**

(75) Inventor: **Ilpo Martikainen, Mäntylahti (FI)**

(73) Assignee: **Genelec Oy, Iisalmi (FI)**

(**) Term: **14 Years**

(21) Appl. No.: **29/163,975**

(22) Filed: **Jul. 17, 2002**

(30) **Foreign Application Priority Data**

Jan. 17, 2002 (FI) M20020042

(51) **LOC (7) Cl.** **14-01**

(52) **U.S. Cl.** **D14/215**

(58) **Field of Search** D14/204, 207,
D14/209-216, 356; 181/143-145, 147-148,
150, 153, 157, 198-199; 381/300-302,
306, 333, 345, 361-364, 386-388

(56) **References Cited**

U.S. PATENT DOCUMENTS

D211,180 S * 5/1968 Boldt D14/212

D214,912 S * 8/1969 Duern et al. D14/212
D282,540 S * 2/1986 Clason D14/214
D294,494 S * 3/1988 Kountz et al. D14/214
D384,354 S * 9/1997 Weissberg et al. D14/214
D384,355 S * 9/1997 Chang D14/214
D414,771 S * 10/1999 Hoyt et al. D14/214
6,035,962 A * 3/2000 Lin 181/199

* cited by examiner

Primary Examiner—Nanda Bondade

(74) *Attorney, Agent, or Firm*—Birch, Stewart, Kolasch & Birch, LLP

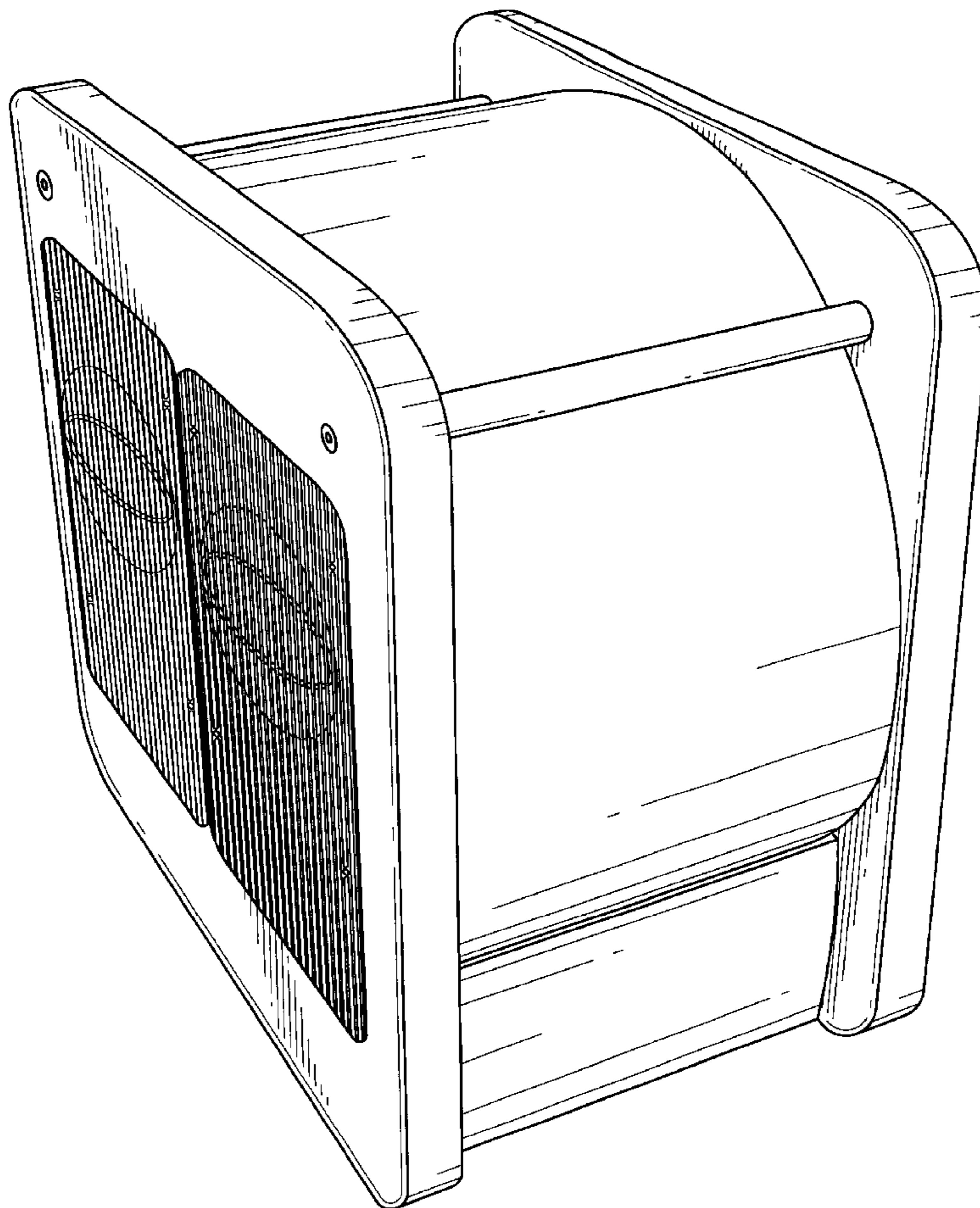
(57) **CLAIM**

The ornamental design for a loudspeaker, as shown and described.

DESCRIPTION

FIG. 1 is a back, right, top perspective view of the loudspeaker showing my new design;
FIG. 2 is a front view thereof; and,
FIG. 3 is a front, left, top perspective view thereof.

1 Claim, 3 Drawing Sheets



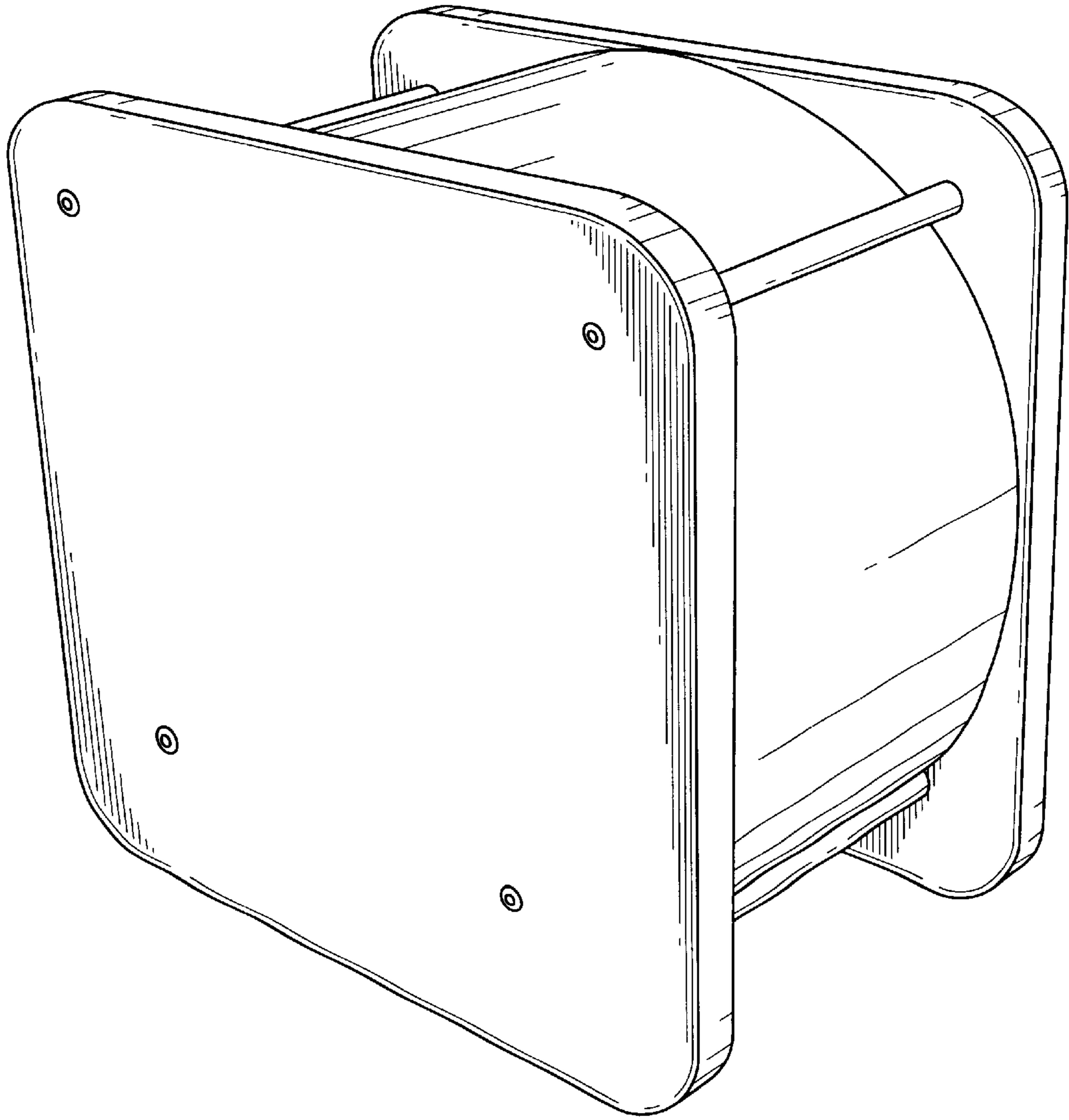


FIG.1

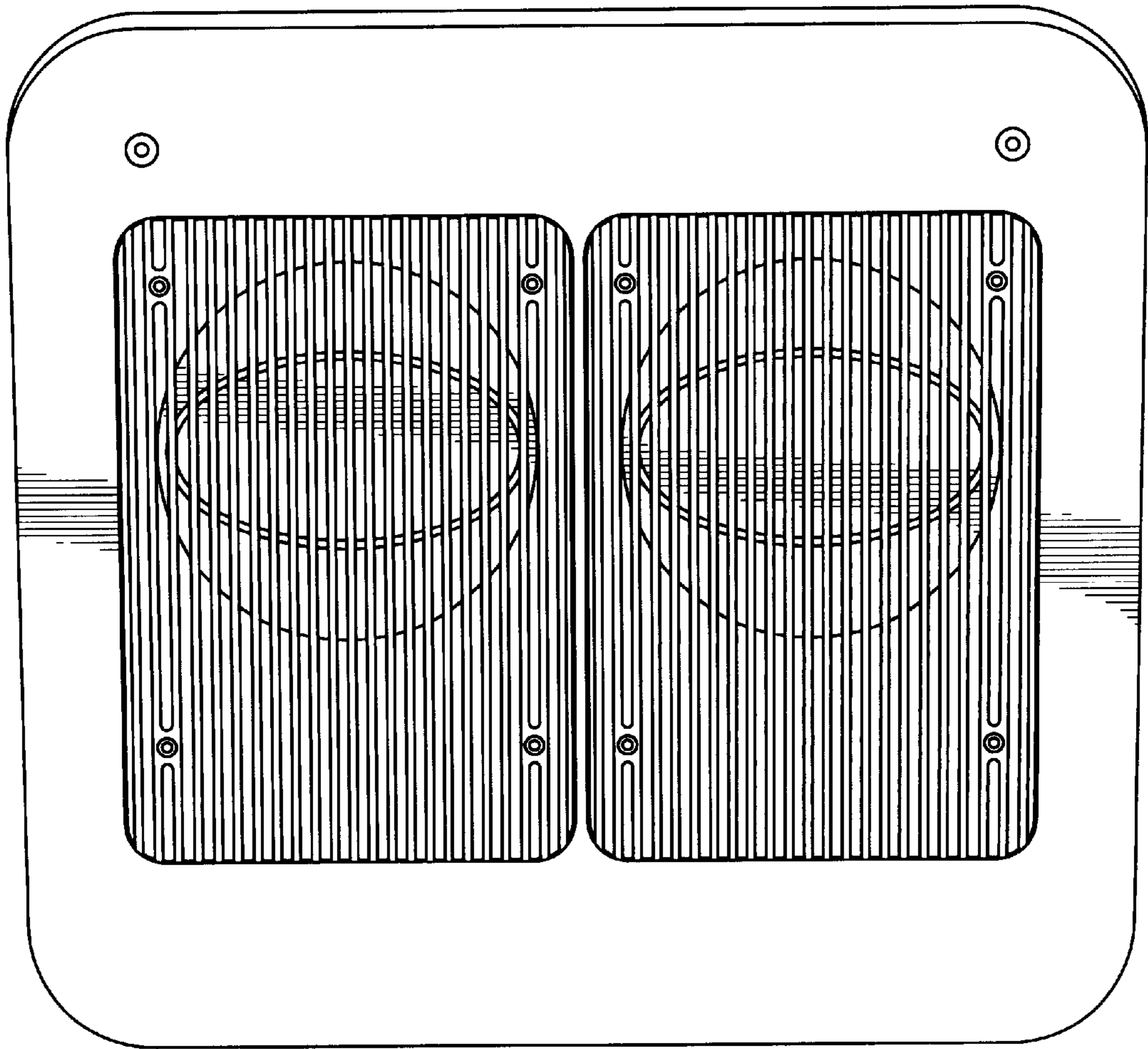


FIG.2

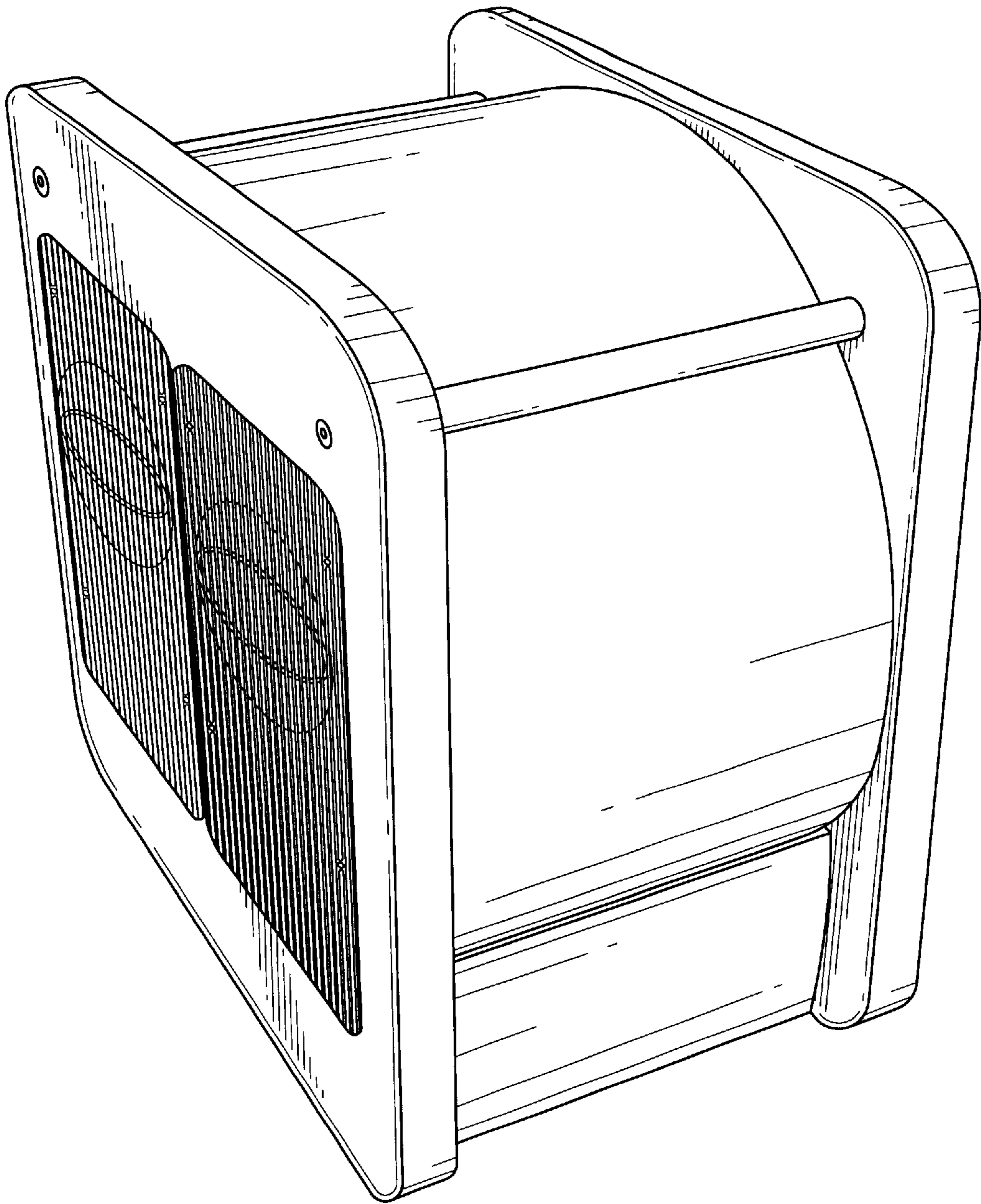


FIG.3