



US00D482668S

(12) **United States Design Patent**
Tanigawa et al.

(10) **Patent No.:** **US D482,668 S**

(45) **Date of Patent:** **** *Nov. 25, 2003**

(54) **TELEVISION RECEIVER**

(75) Inventors: **Satoshi Tanigawa**, Osaka (JP); **Takashi Inoue**, Nara (JP); **Kiyoshi Kohno**, Osaka (JP)

(73) Assignee: **Matsushita Electric Industrial Co., Ltd.**, Osaka (JP)

(*) Notice: This patent is subject to a terminal disclaimer.

(**) Term: **14 Years**

(21) Appl. No.: **29/151,012**

(22) Filed: **Nov. 30, 2001**

(30) **Foreign Application Priority Data**

Jun. 1, 2001 (JP) 2001-016013

(51) **LOC (7) Cl.** **14-03**

(52) **U.S. Cl.** **D14/126**

(58) **Field of Search** D14/125-136,
D14/239, 371, 374-382; 312/7.2; 348/836,
838, 180, 184, 325, 739; 248/917-924;
341/12; 345/104, 133, 156, 168, 87, 173

(56) **References Cited**

U.S. PATENT DOCUMENTS

D311,530 S * 10/1990 Kurozumi et al. D14/126

D318,274 S * 7/1991 Seo D14/126
D354,282 S * 1/1995 Koo et al. D14/126
D376,358 S * 12/1996 Starck D14/126
D381,649 S * 7/1997 Boyd D14/126
D413,324 S * 8/1999 Riecken et al. D14/126

* cited by examiner

Primary Examiner—Raphael Barkai
(74) *Attorney, Agent, or Firm*—Christensen O'Connor Johnson Kindness PLLC

(57) **CLAIM**

The ornamental design for a television receiver, as shown and described.

DESCRIPTION

FIG. 1 is a perspective view of the top, front and right side of a television receiver showing our new design;
FIG. 2 is a front view thereof;
FIG. 3 is a top plan view thereof;
FIG. 4 is a right side view thereof;
FIG. 5 is a rear view thereof;
FIG. 6 is a bottom view thereof; and,
FIG. 7 is a perspective view thereof with the lid in open condition.

1 Claim, 4 Drawing Sheets

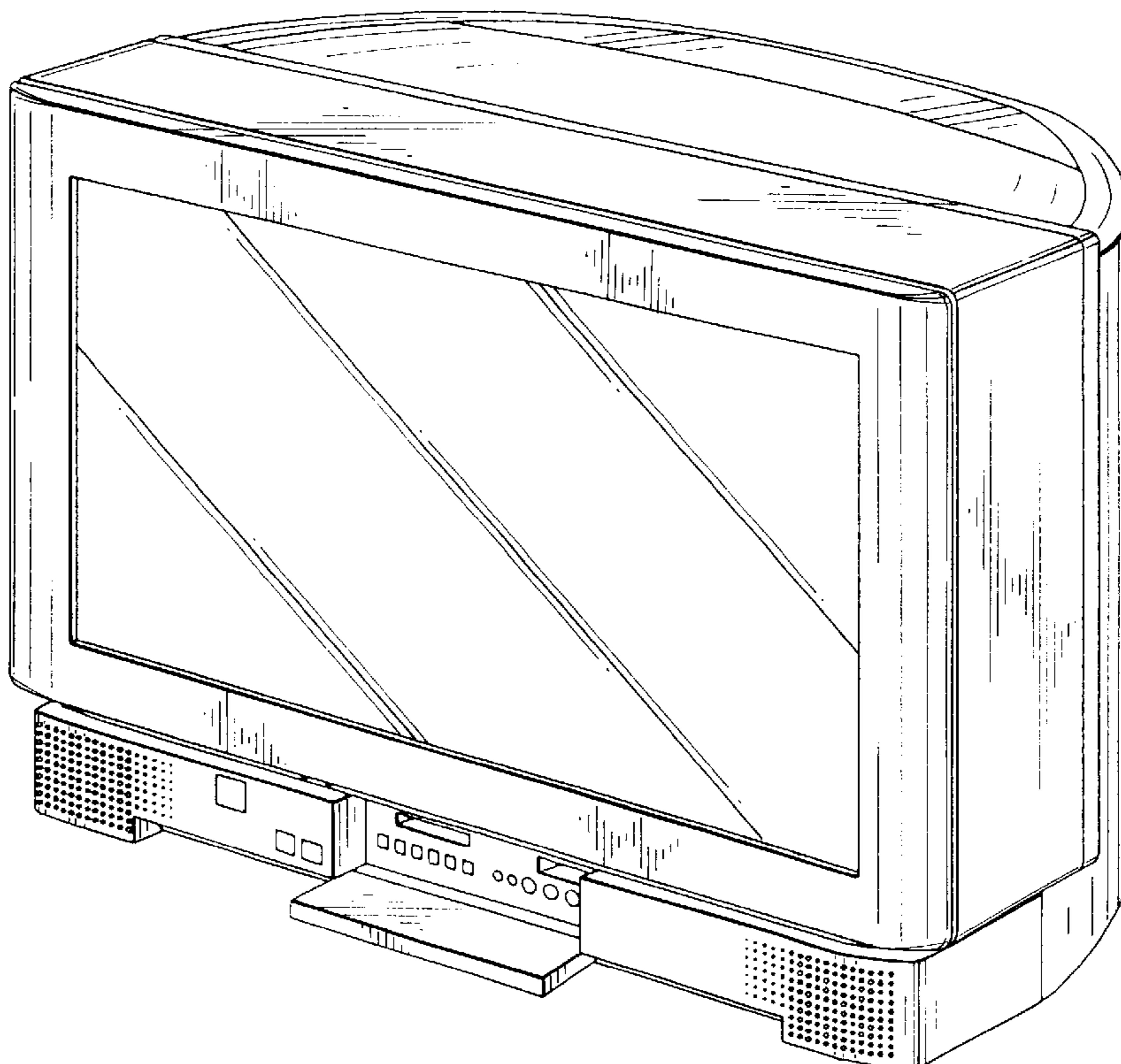


FIG. 1

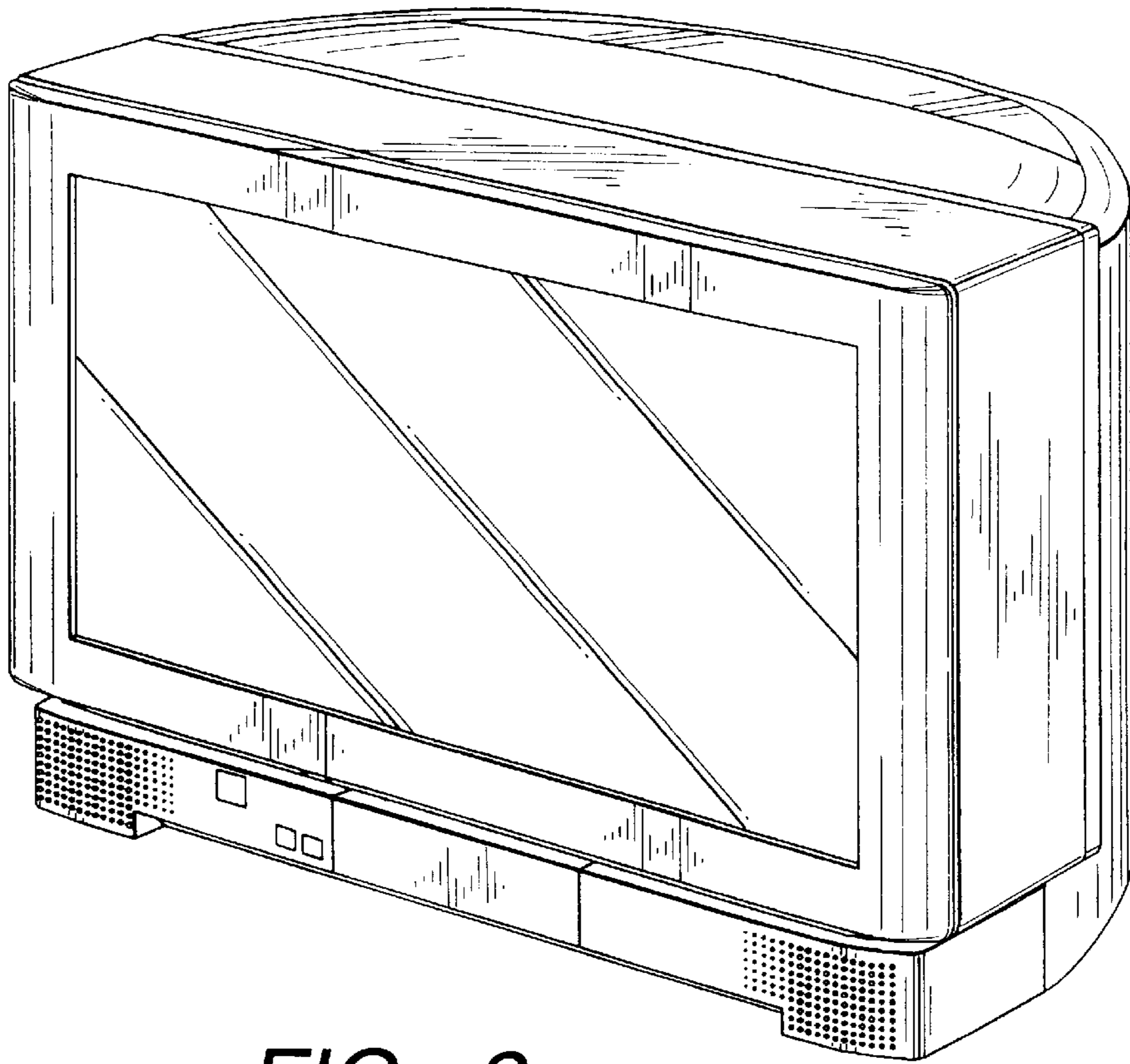


FIG. 2

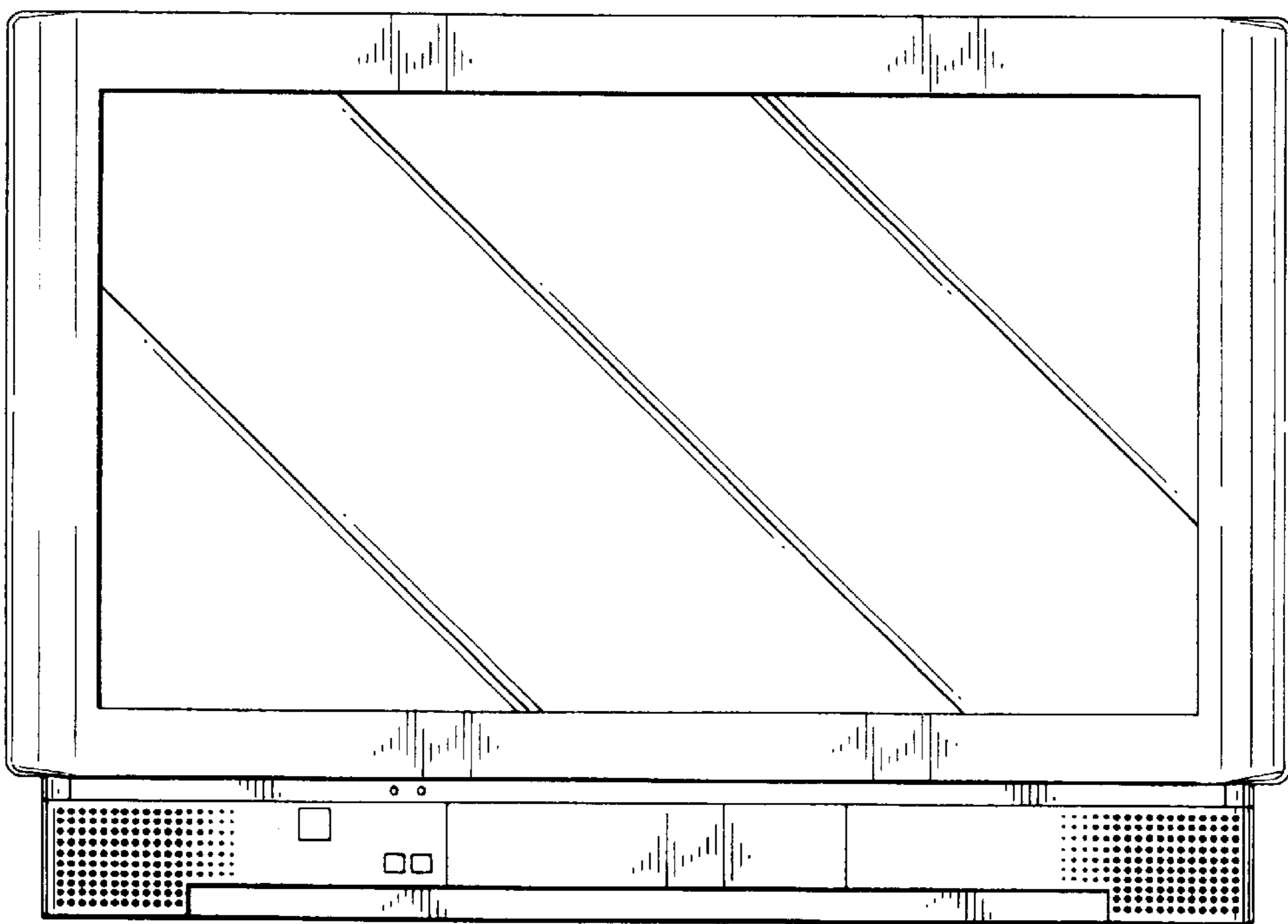


FIG. 3

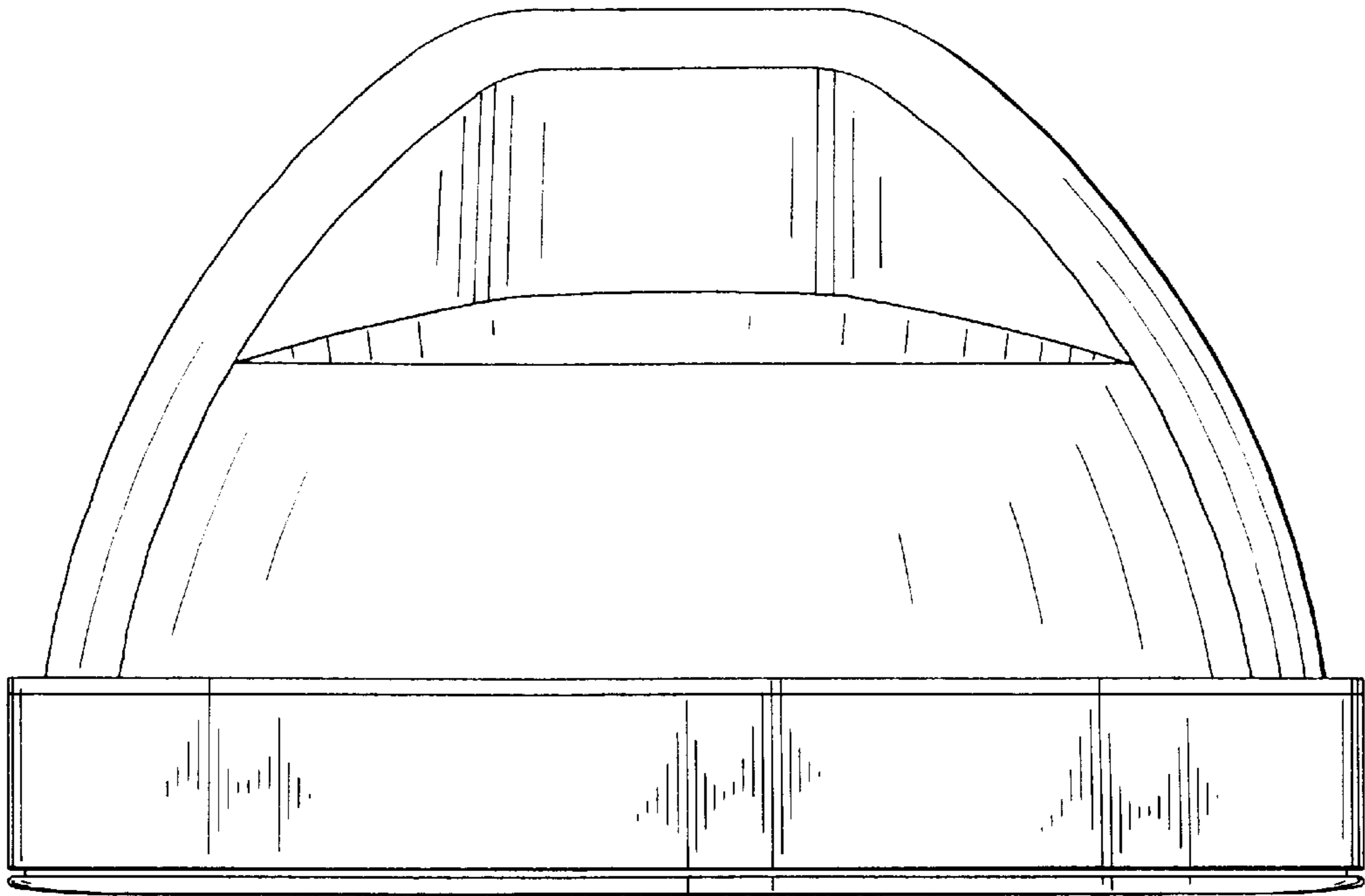


FIG. 4

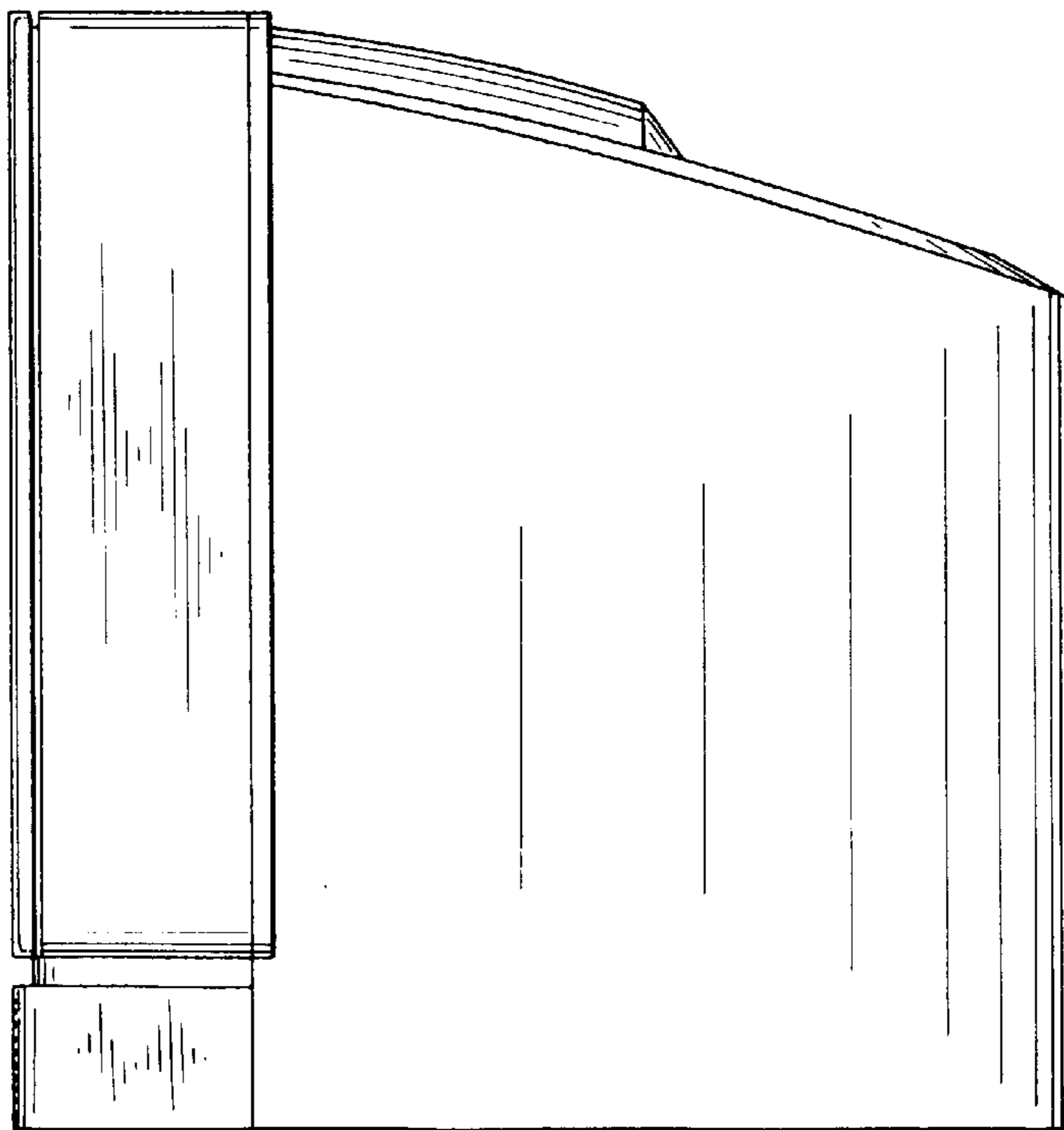


FIG. 5

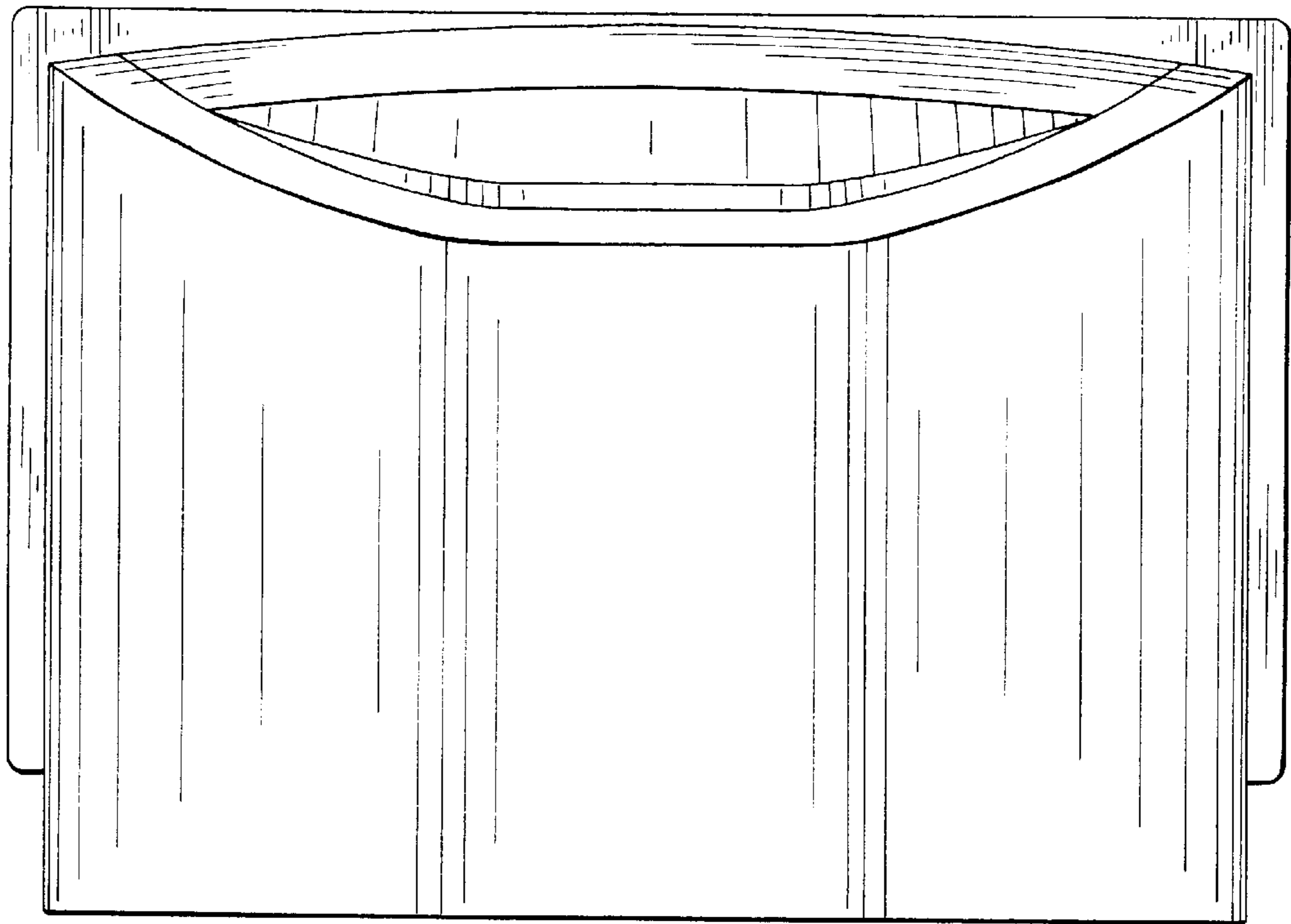


FIG. 6

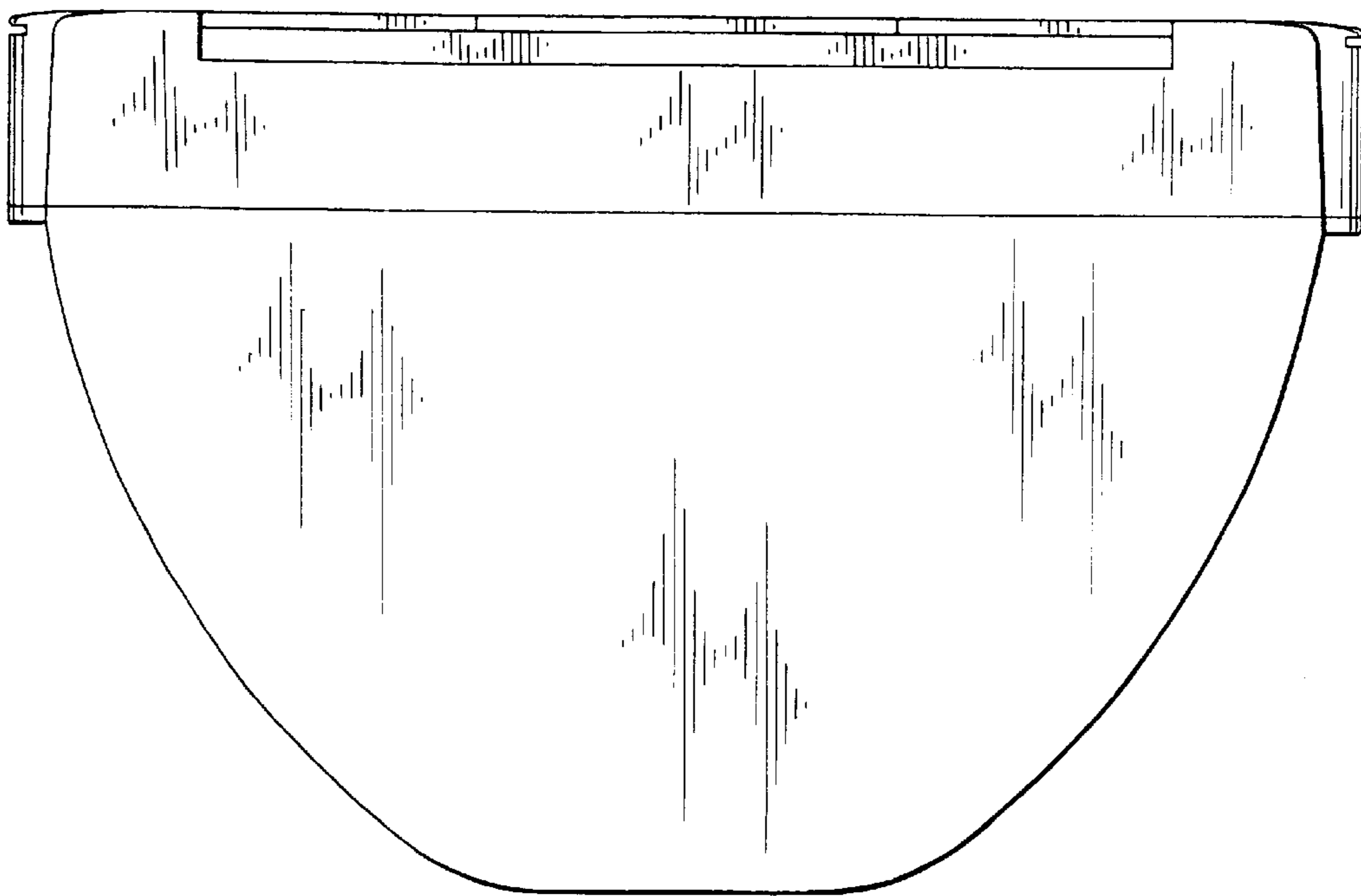


FIG. 7

