



US00D482662S

(12) **United States Design Patent**
Foster et al.

(10) **Patent No.:** **US D482,662 S**

(45) **Date of Patent:** **** Nov. 25, 2003**

(54) **DIMMER PACK FOR LUMINAIRES**

5,823,663 A * 10/1998 Bell et al. 362/362
D402,965 S * 12/1998 Bender D13/162
D433,520 S * 11/2000 Wang D26/24

(75) Inventors: **Fred R. Foster**, Verona, WI (US);
Bradley J. Brunker, Madison, WI
(US); **John J. Hanesworth**, Madison,
WI (US)

* cited by examiner

(73) Assignee: **Electronic Theatre Controls, Inc.**,
Middleton, WI (US)

Primary Examiner—Philip S. Hyder
Assistant Examiner—Selina Sikder
(74) *Attorney, Agent, or Firm*—Greer, Burns & Crain, Ltd.;
Philip M. Kolehmainen

(**) Term: **14 Years**

(57) **CLAIM**

(21) Appl. No.: **29/163,332**

We claim the ornamental design for a dimmer pack for
luminaires, as shown.

(22) Filed: **Jul. 2, 2002**

DESCRIPTION

(51) **LOC (7) Cl.** **13-03**

(52) **U.S. Cl.** **D13/162**

(58) **Field of Search** D13/158, 162,
D13/184; D26/24; 315/291, 294, 312, 326;
361/241, 244, 246, 688, 690, 692, 800;
362/199, 240, 241, 290, 291, 294, 312,
313, 362, 365, 375, 543, 544, 546, 549

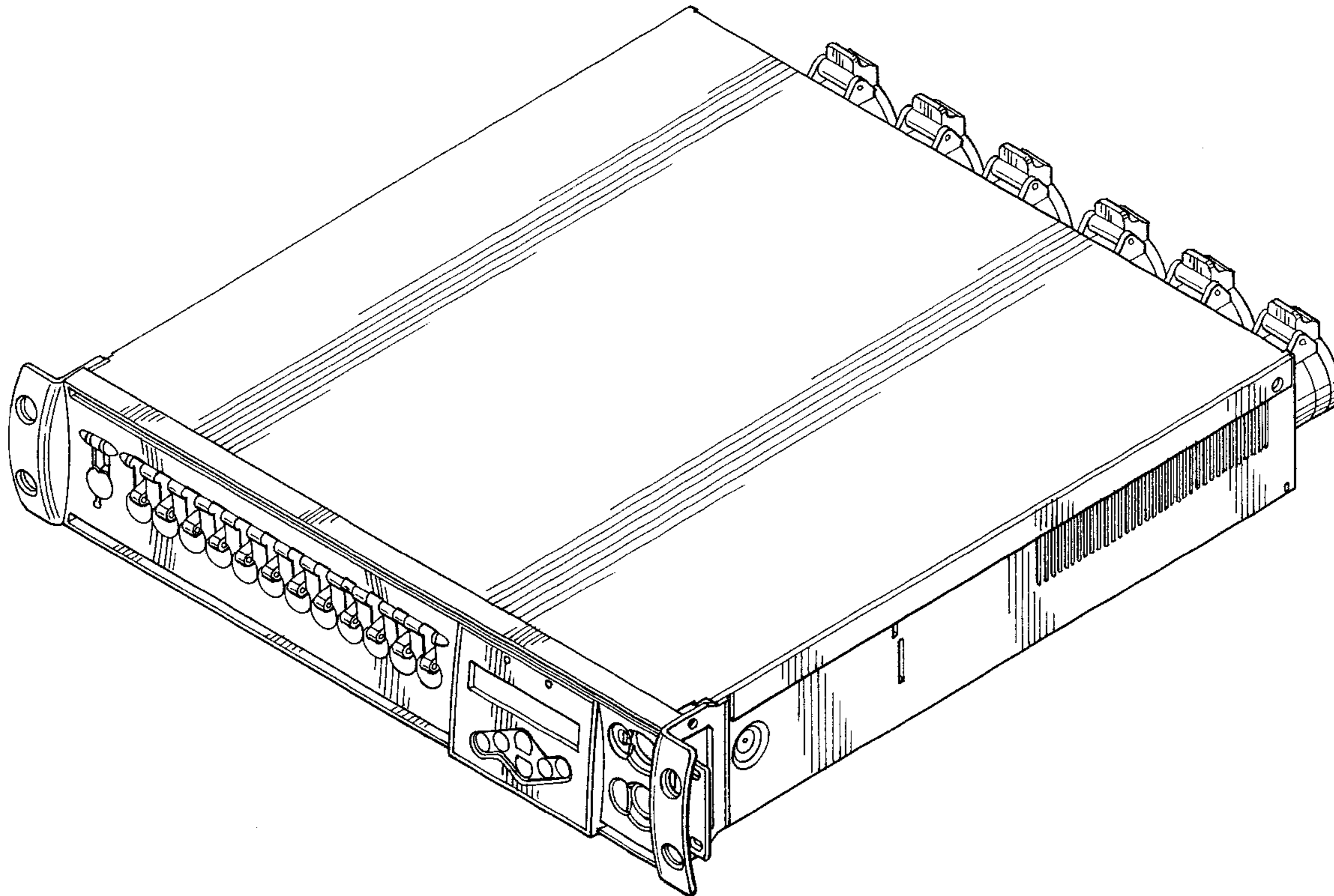
FIG. 1 is a top and front and right side isometric view of a
dimmer pack for luminaires showing my new design;
FIG. 2 is a top view of the dimmer pack for luminaires;
FIG. 3 is a front view of the dimmer pack for luminaires;
FIG. 4 is a bottom view of the dimmer pack for luminaires;
FIG. 5 is a rear view of the dimmer pack for luminaires;
FIG. 6 is a right side view of the dimmer pack for lumi-
naires; and,
FIG. 7 is a left side view of the dimmer pack for luminaires.

(56) **References Cited**

U.S. PATENT DOCUMENTS

5,412,551 A * 5/1995 Newell 362/241

1 Claim, 4 Drawing Sheets



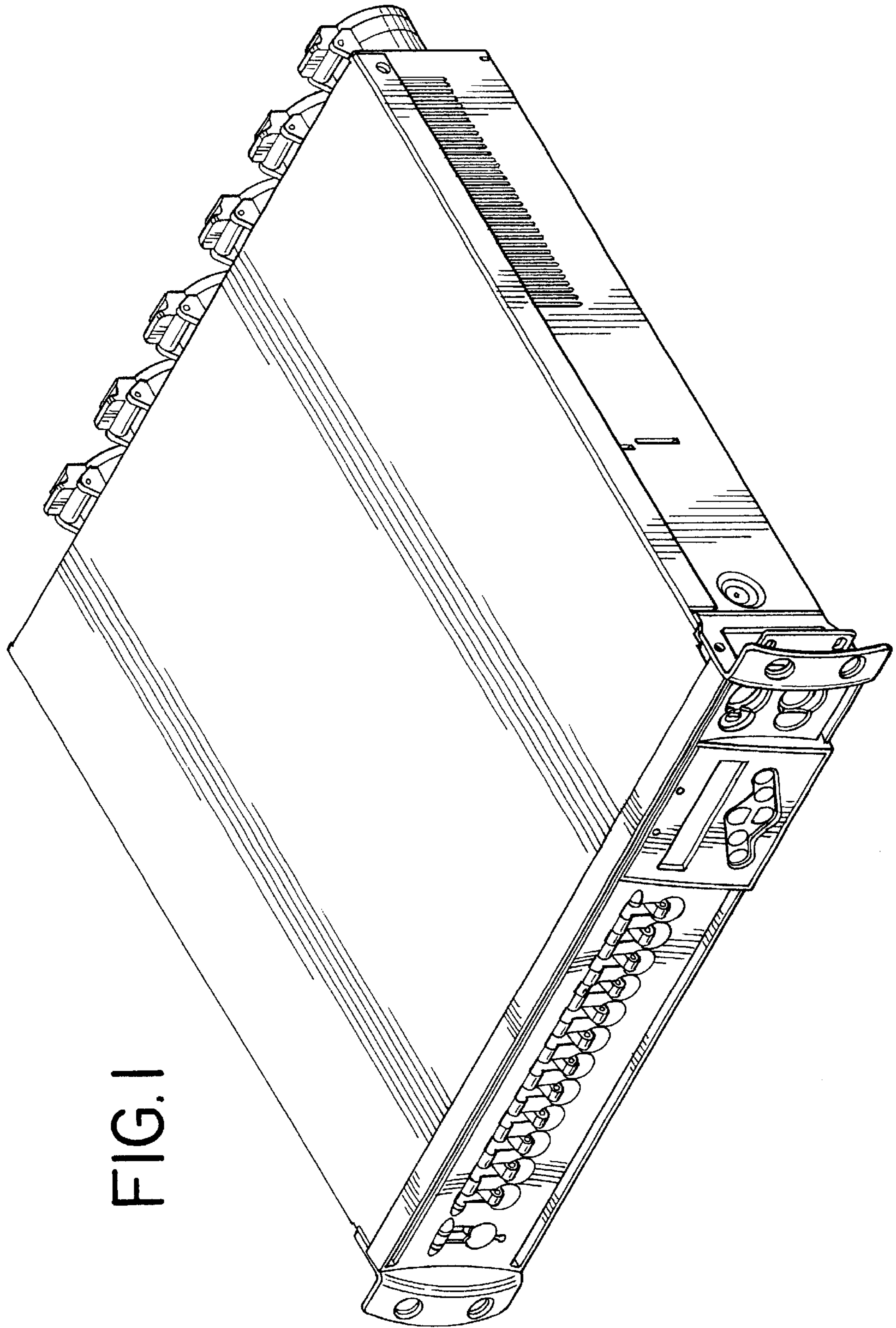


FIG. 1

FIG.2

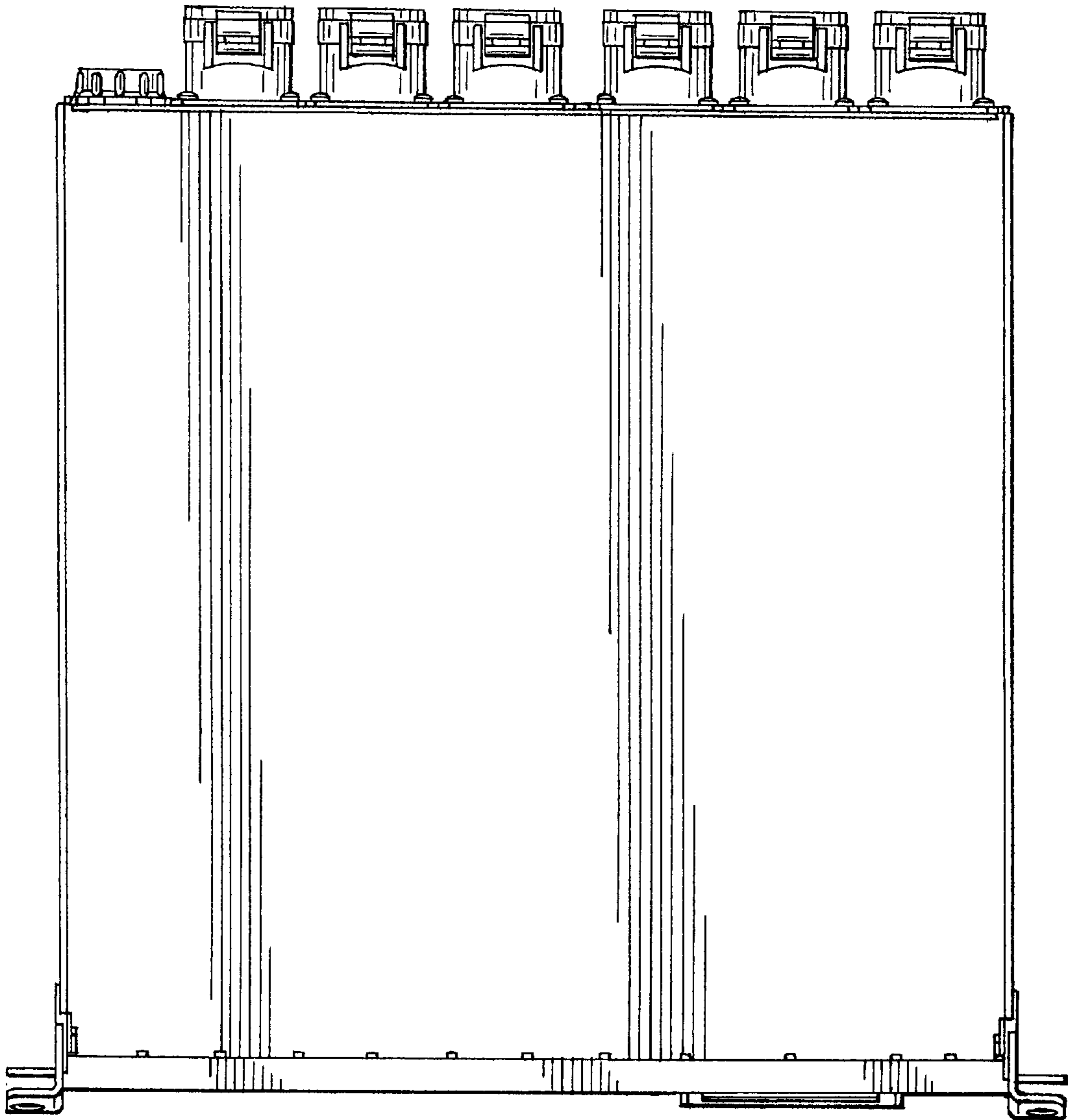


FIG.3

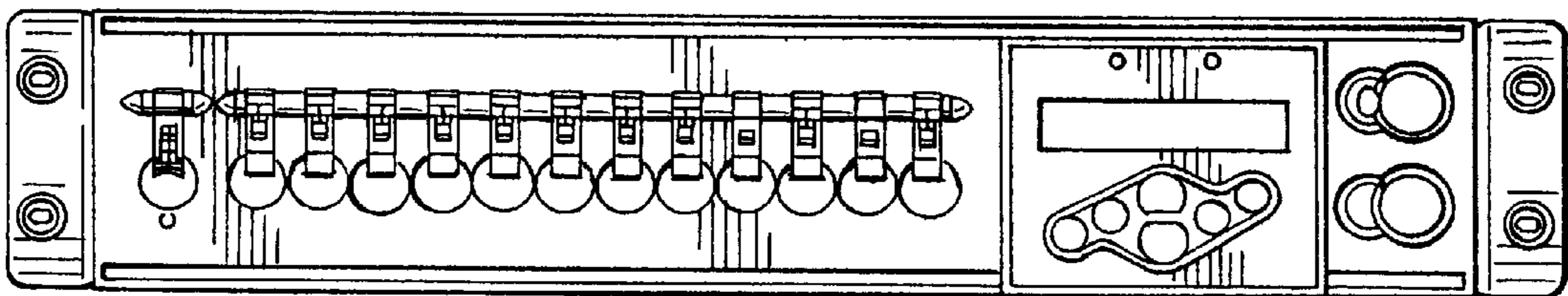


FIG. 4

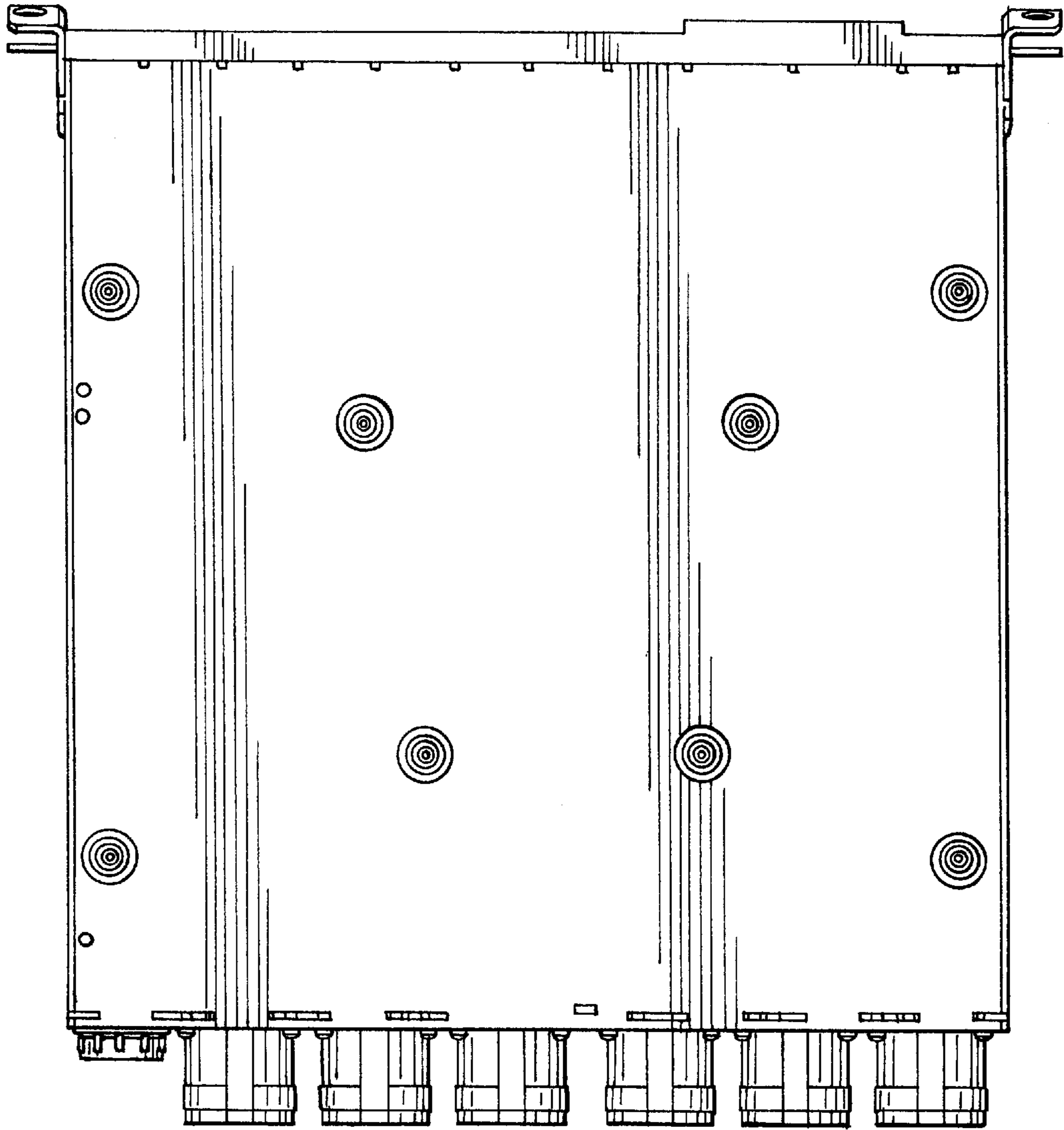


FIG. 5

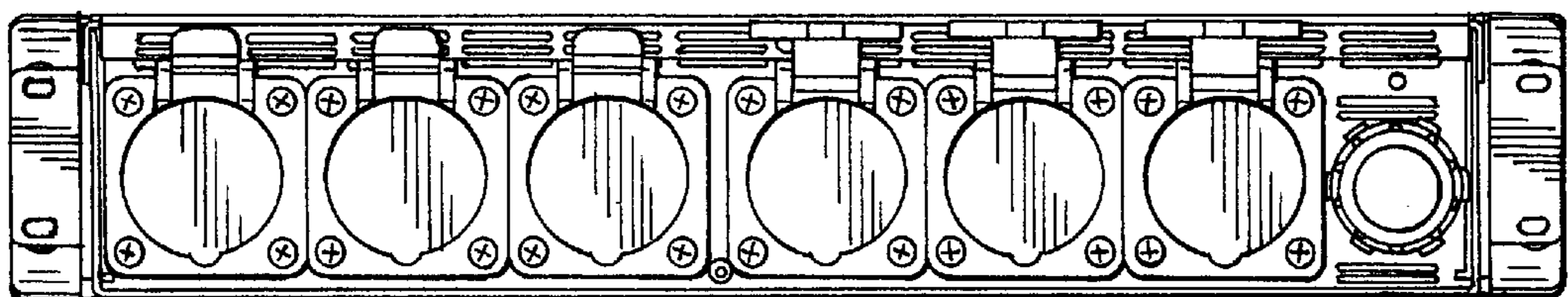


FIG.6

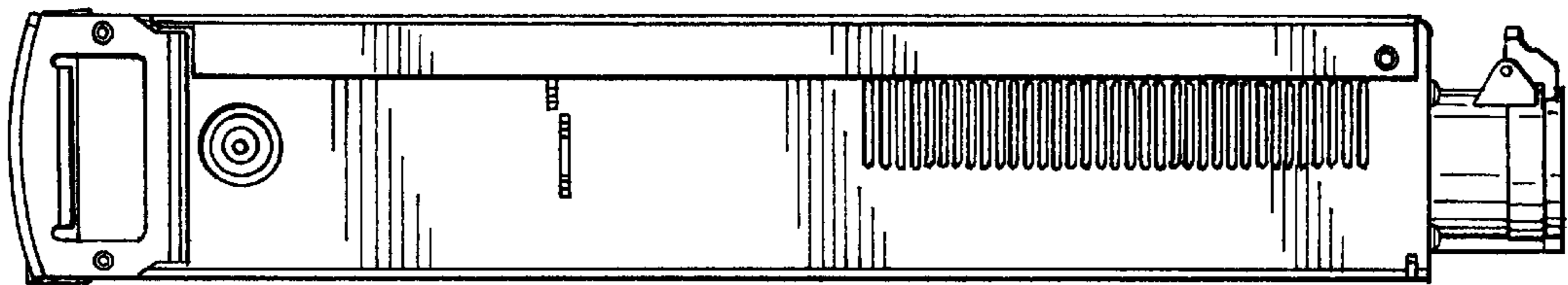


FIG.7

